



US00D800728S

(12) **United States Design Patent** (10) **Patent No.:** **US D800,728 S**
Pfeiffer (45) **Date of Patent:** **** Oct. 24, 2017**

(54) **INFORMATION RETRIEVAL TERMINAL**

(71) Applicant: **Homag Holzbearbeitungssysteme GmbH**, Schopfloch (DE)

(72) Inventor: **Marcel Pfeiffer**, Schopfloch (DE)

(73) Assignee: **Homag Holzbearbeitungssysteme GmbH**, Schopfloch (DE)

(**) Term: **15 Years**

(21) Appl. No.: **29/546,016**

(22) Filed: **Nov. 18, 2015**

Related U.S. Application Data

(62) Division of application No. 29/469,735, filed on Oct. 14, 2013, now Pat. No. Des. 761,244.

(30) **Foreign Application Priority Data**

Apr. 16, 2013 (EM) 002 221 218

(51) **LOC (10) Cl.** **14-02**

(52) **U.S. Cl.**
USPC **D14/375**

(58) **Field of Classification Search**
USPC D14/302-307, 336, 337, 371, 125-129;
345/104, 156, 168, 173; 348/180, 184,
348/325, 739; 349/1, 2, 11, 62; 341/12;
D99/28, 99; D24/185, 186; D6/407,
D6/641, 642; D20/10
CPC G06F 1/16; G06F 1/1601; G06F 3/037;
G06F 1/162; F16M 11/10
See application file for complete search history.

(56) **References Cited**

U.S. PATENT DOCUMENTS

D395,129 S * 6/1998 Johnson D99/28
D407,755 S * 4/1999 Isshiki et al. D20/10

D410,448 S * 6/1999 Honaker et al. D14/371
D433,022 S * 10/2000 Lucas D14/371
D507,266 S * 7/2005 Phillips et al. D14/307
D566,703 S * 4/2008 Malone et al. D14/307
D597,975 S * 8/2009 Ohno D14/126
D609,493 S * 2/2010 Dreyer et al. D6/407

(Continued)

Primary Examiner — Freda S Nunn

(74) *Attorney, Agent, or Firm* — LaRiviere, Grubman PC

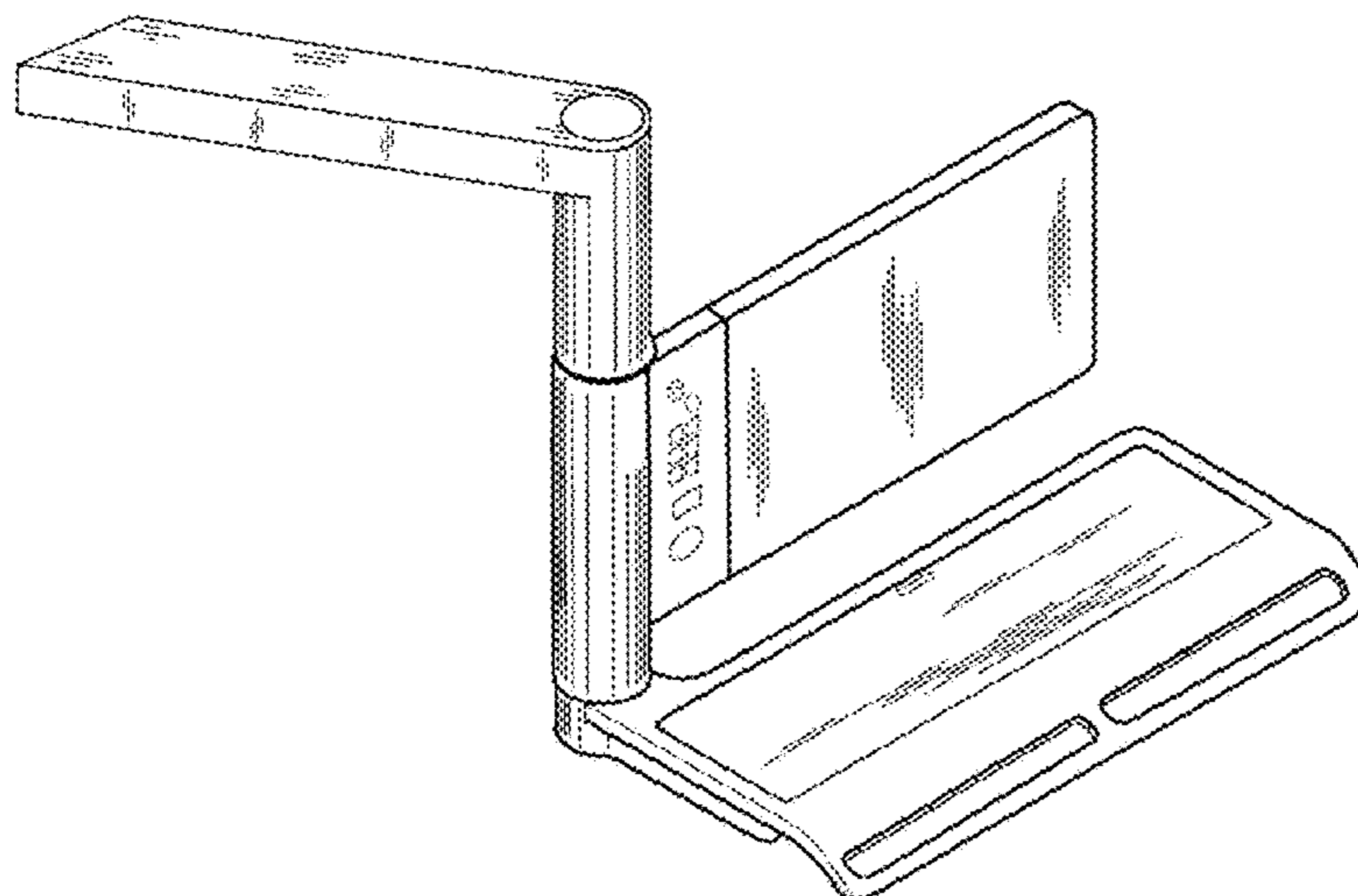
(57) **CLAIM**

The ornamental design for an information retrieval terminal, as shown and described.

DESCRIPTION

FIG. 1 is perspective view of an information retrieval terminal, showing our new design; FIG. 2 is a front view thereof; FIG. 3 is a rear view thereof; FIG. 4 is a top view thereof; FIG. 5 is a bottom view thereof; FIG. 6 is an end view thereof; FIG. 7 is an opposing end view thereof; FIG. 8 is a perspective view of a second embodiment thereof which is a mirror image of the information retrieval terminal shown in FIGS. 1 through 7; FIG. 9 is perspective view of a third embodiment of an information retrieval terminal; FIG. 10 is a front view thereof; FIG. 11 is a rear view thereof; FIG. 12 is a top view thereof; FIG. 13 is a bottom view thereof; FIG. 14 is an end view thereof; FIG. 15 is an opposing end view thereof; and, FIG. 16 is a perspective view of a fourth embodiment thereof which is a mirror image of the information retrieval terminal shown in FIGS. 9 through 15. The portions of the information retrieval terminal shown in broken lines form no part of the claimed design.

1 Claim, 16 Drawing Sheets



(56)

References Cited

U.S. PATENT DOCUMENTS

D628,742 S * 12/2010 Hsu D28/9
D661,291 S * 6/2012 Renukanand et al. D14/307

* cited by examiner

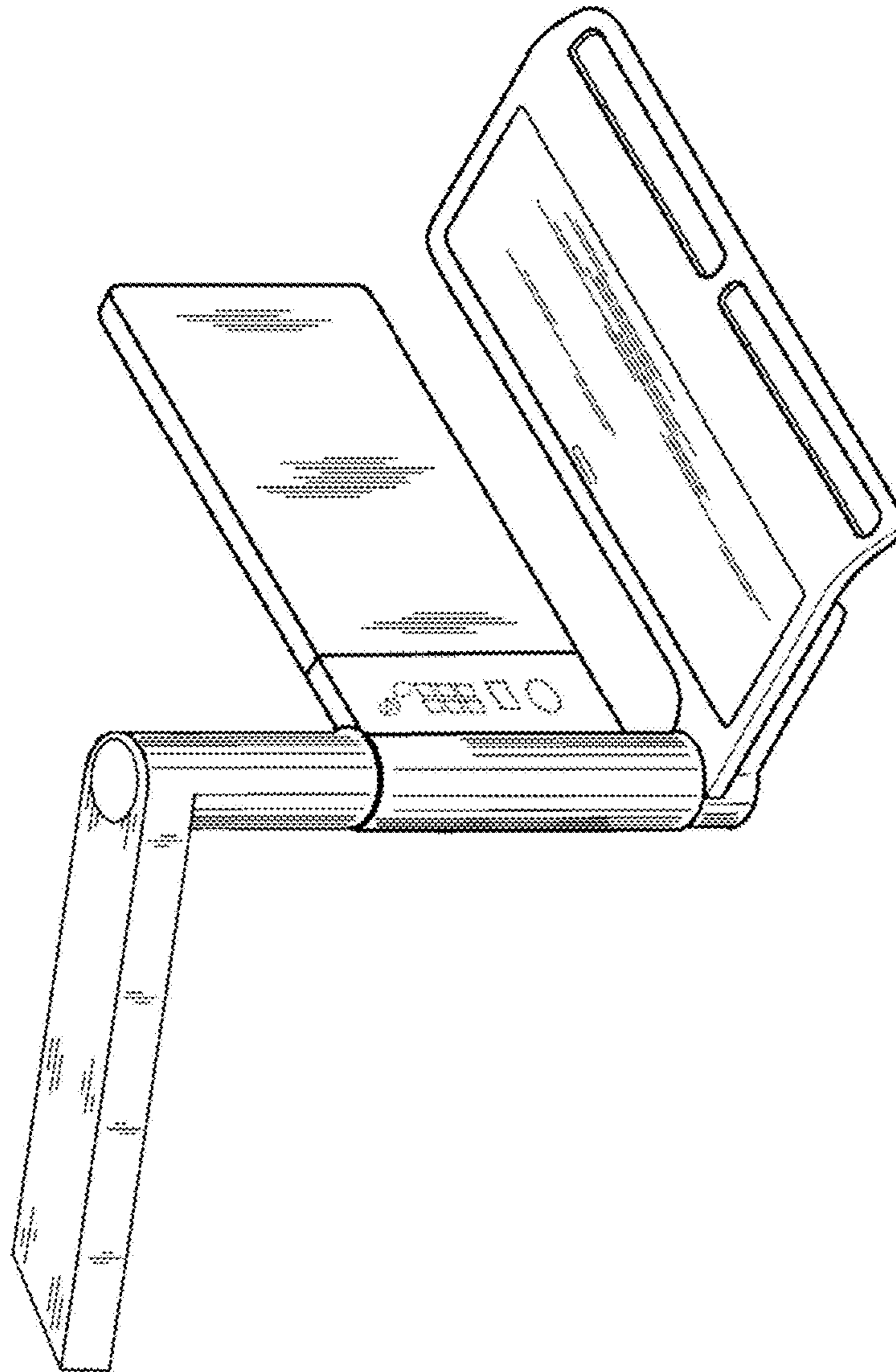


FIG. 1

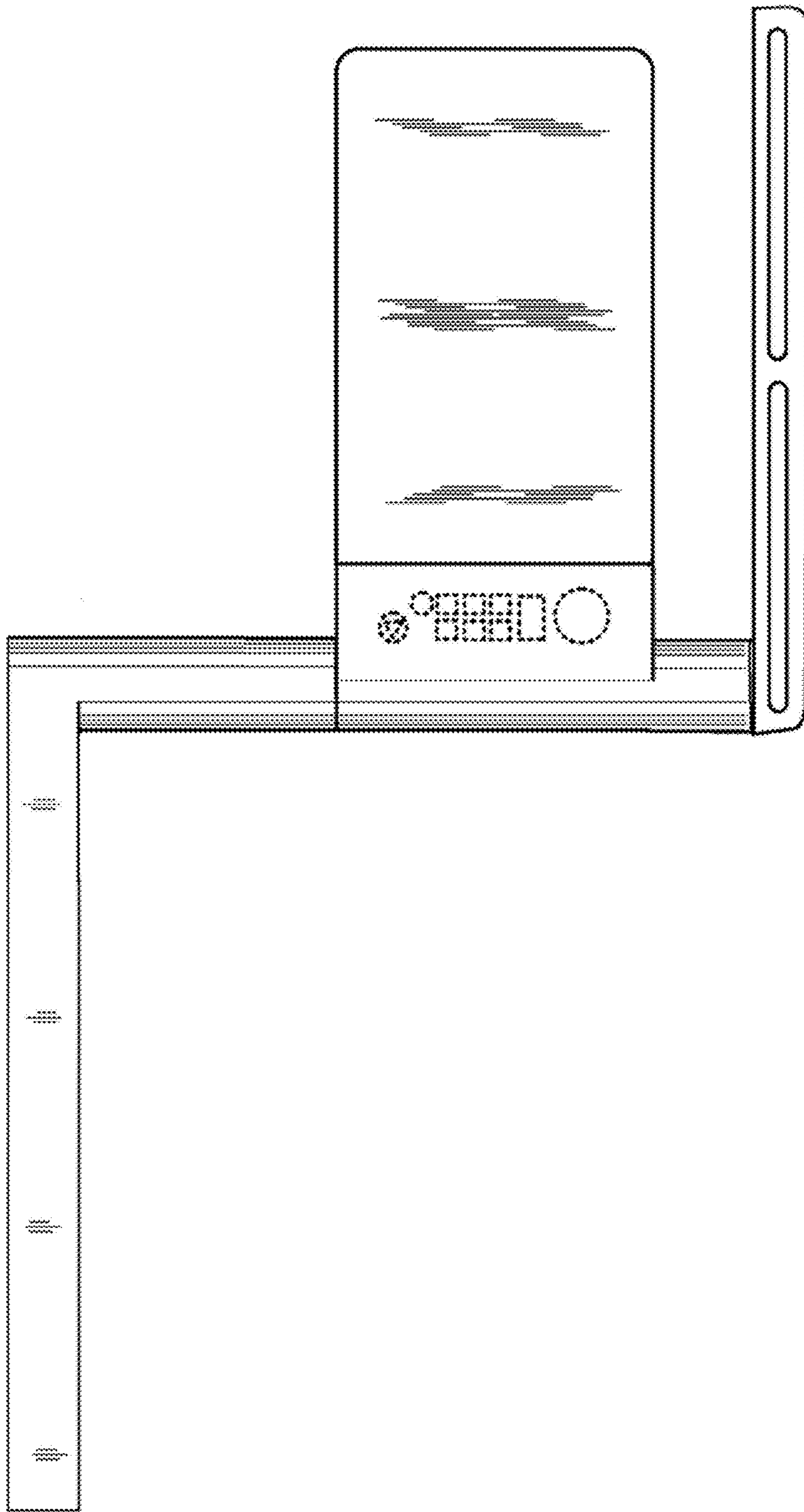


FIG. 2

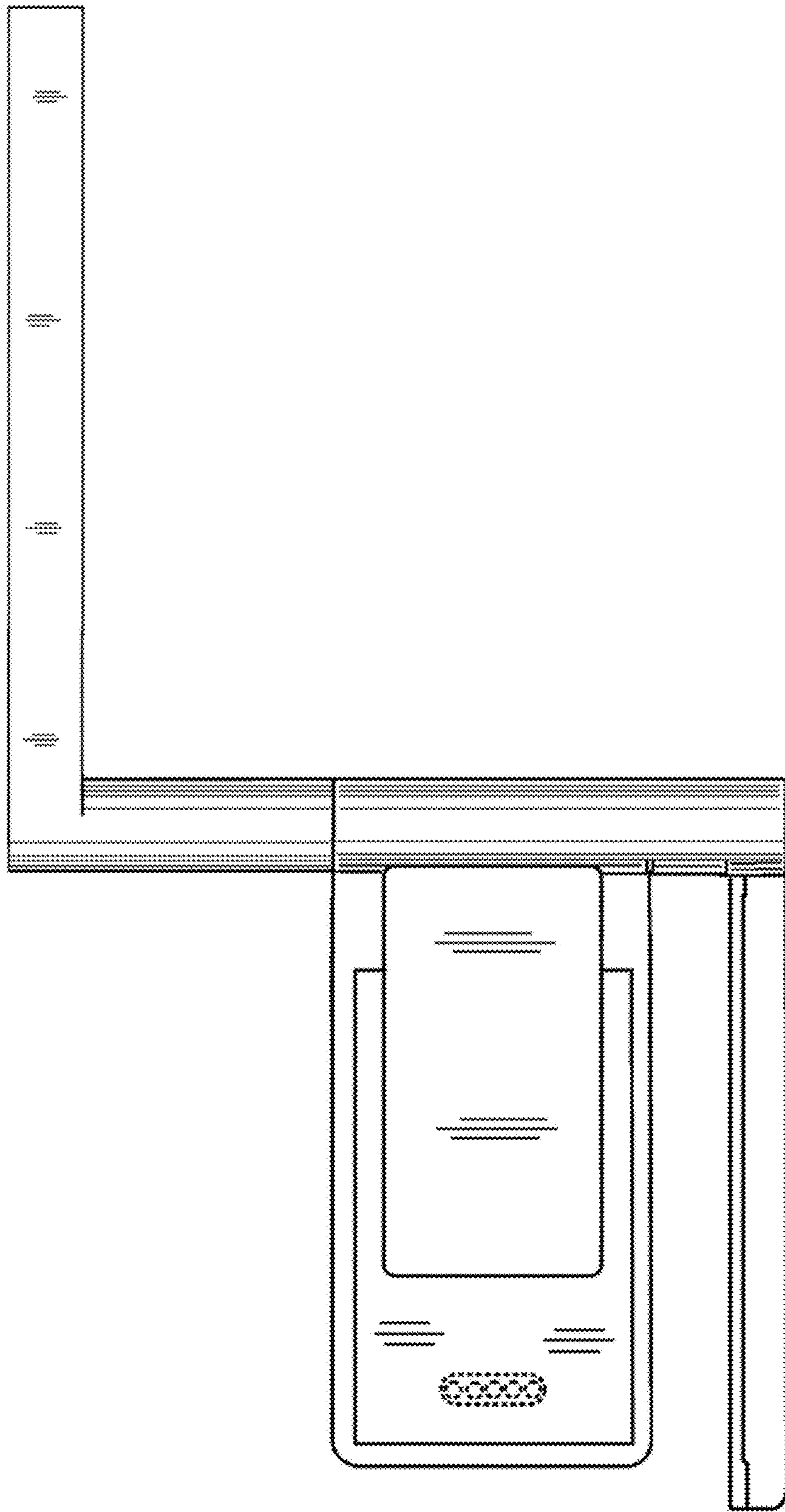


FIG. 3

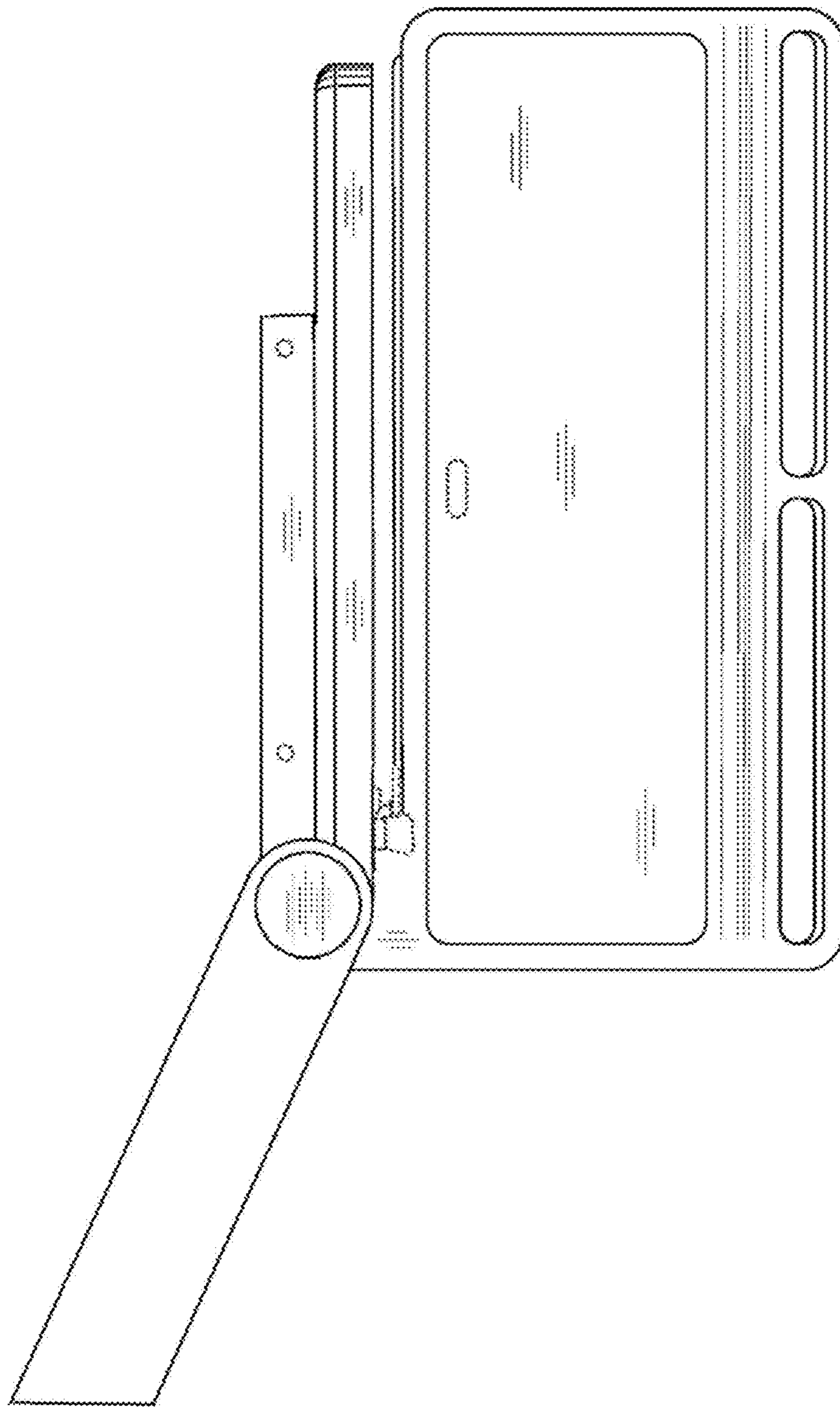


FIG. 4

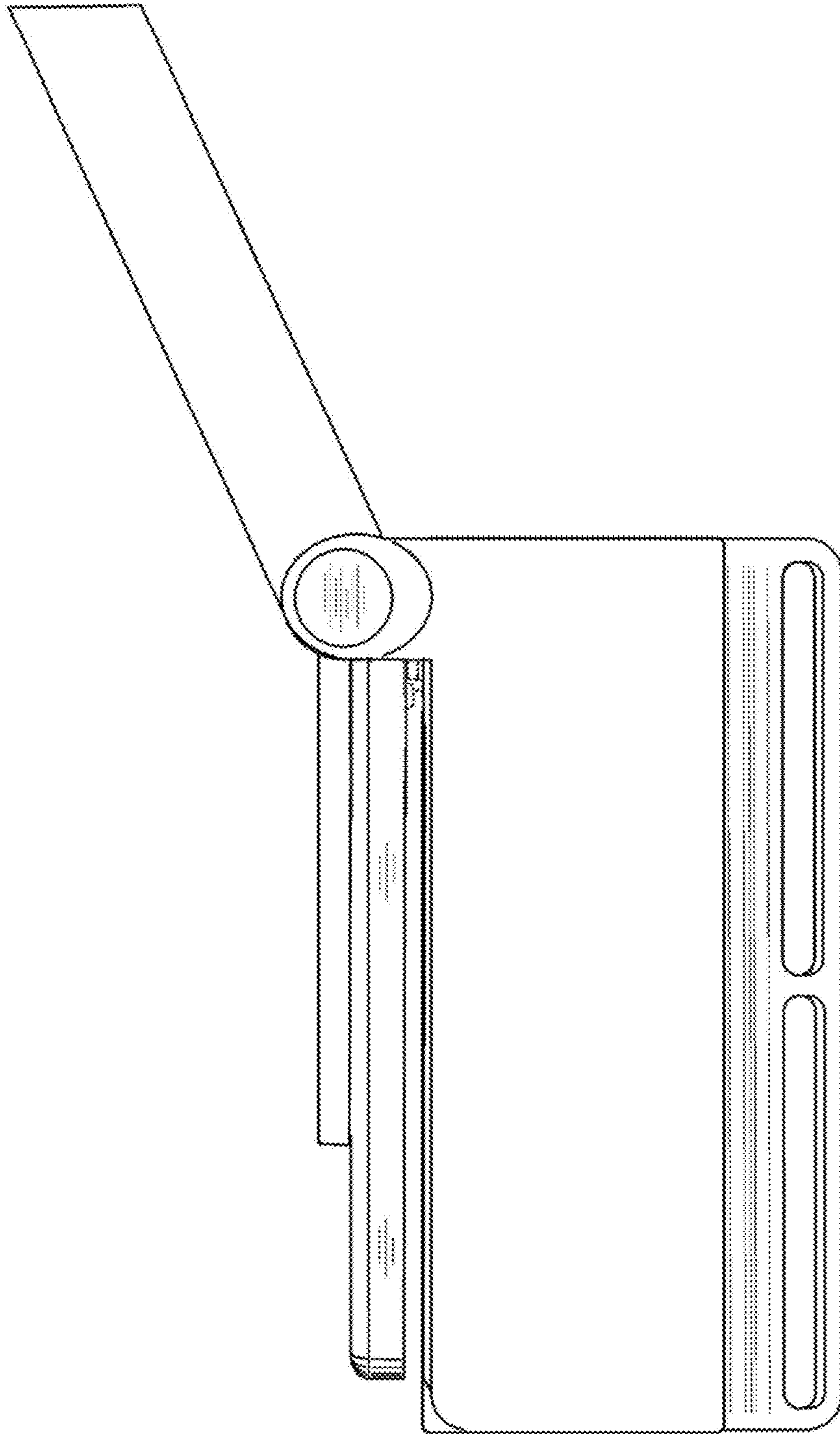


FIG. 5

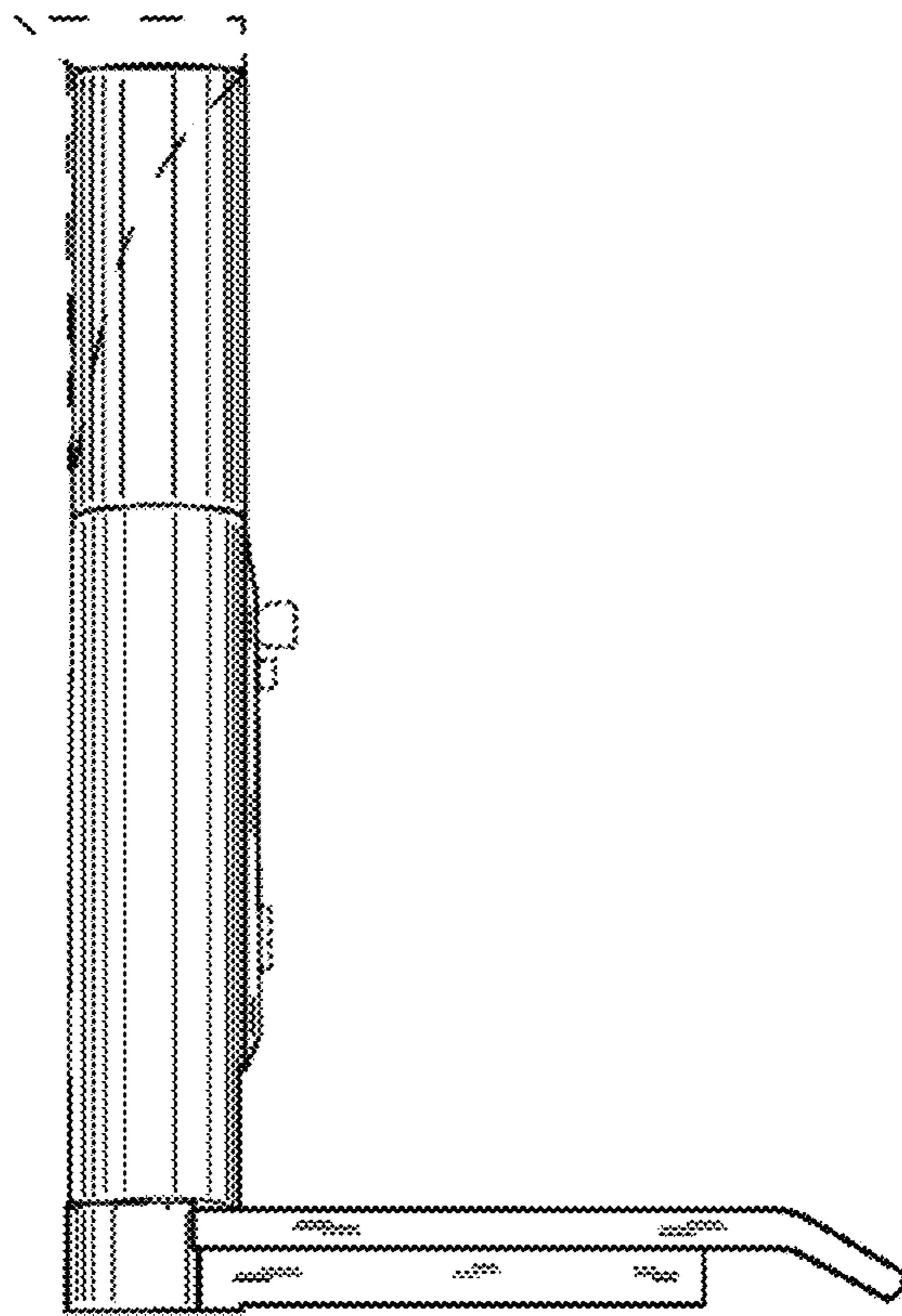


FIG 6

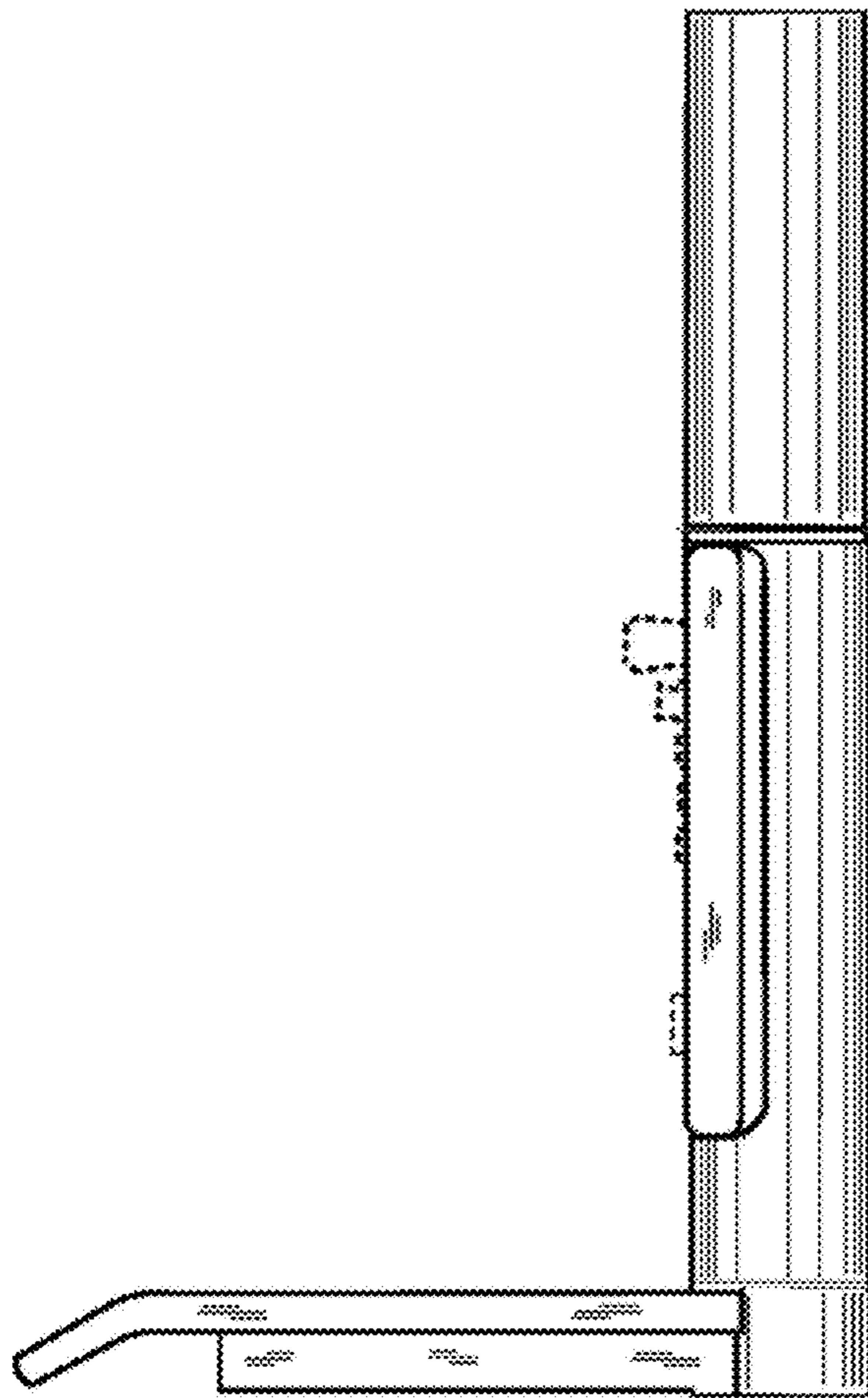


FIG. 7

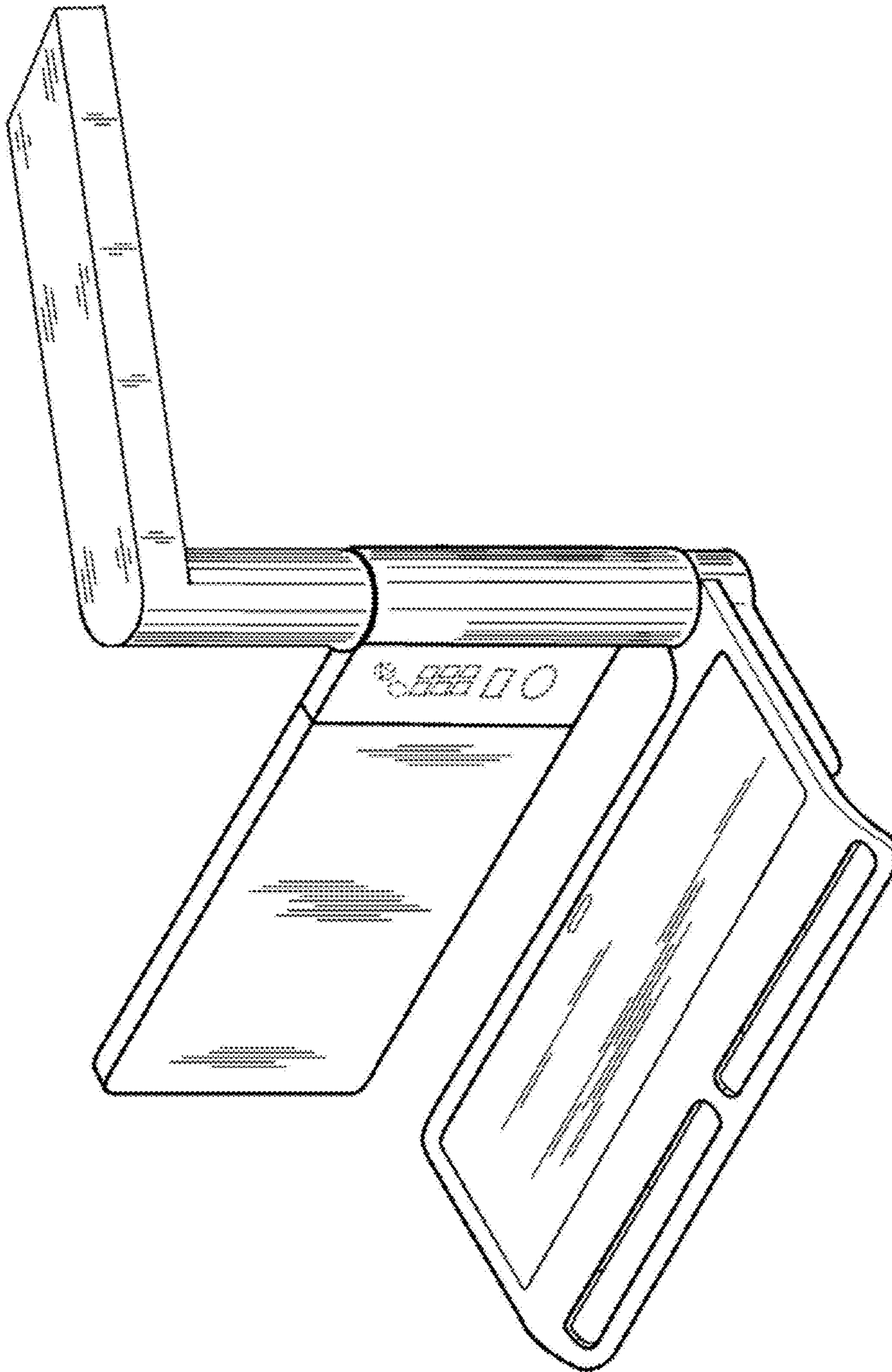


FIG. 8

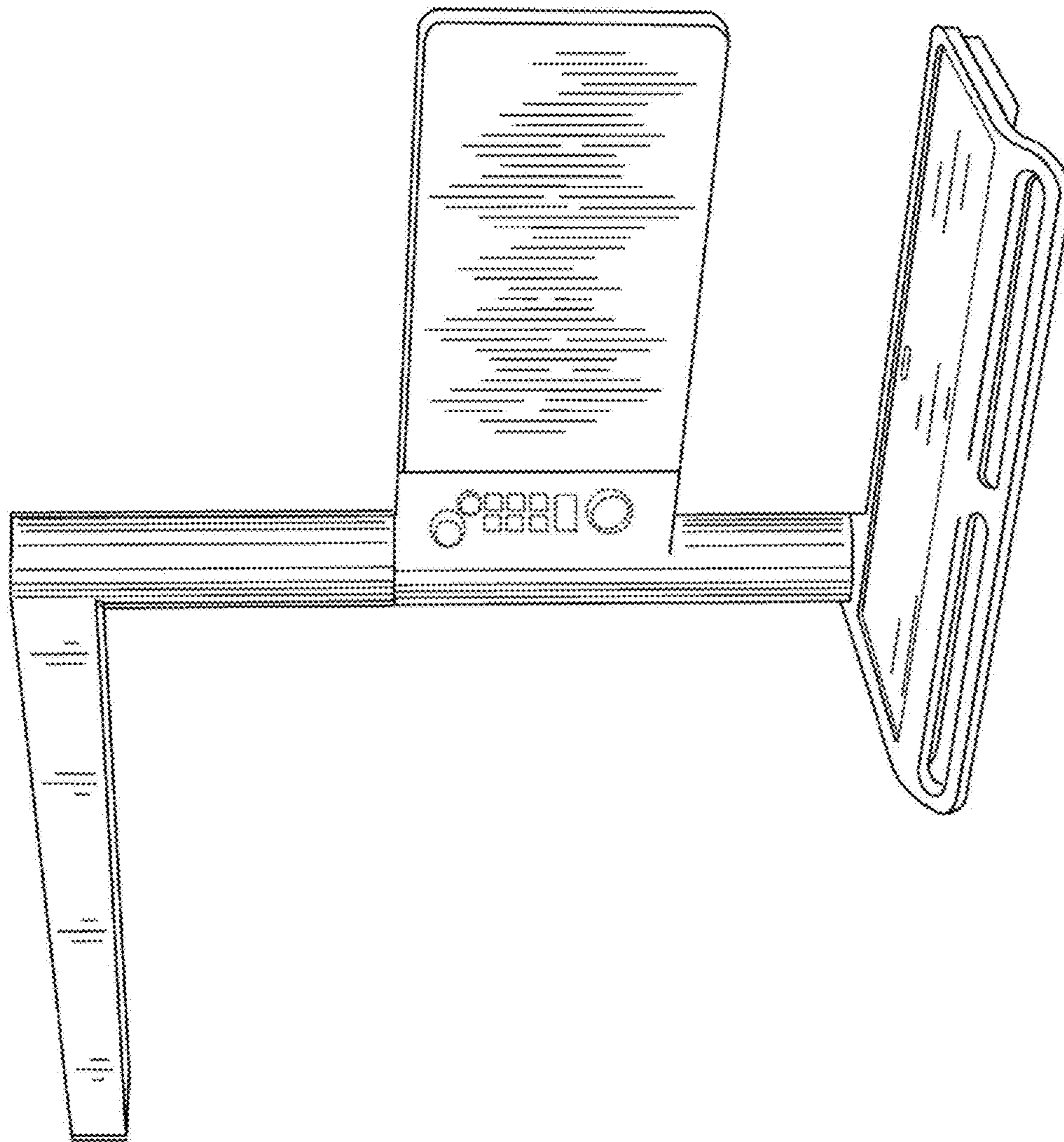


FIG. 9



FIG. 10

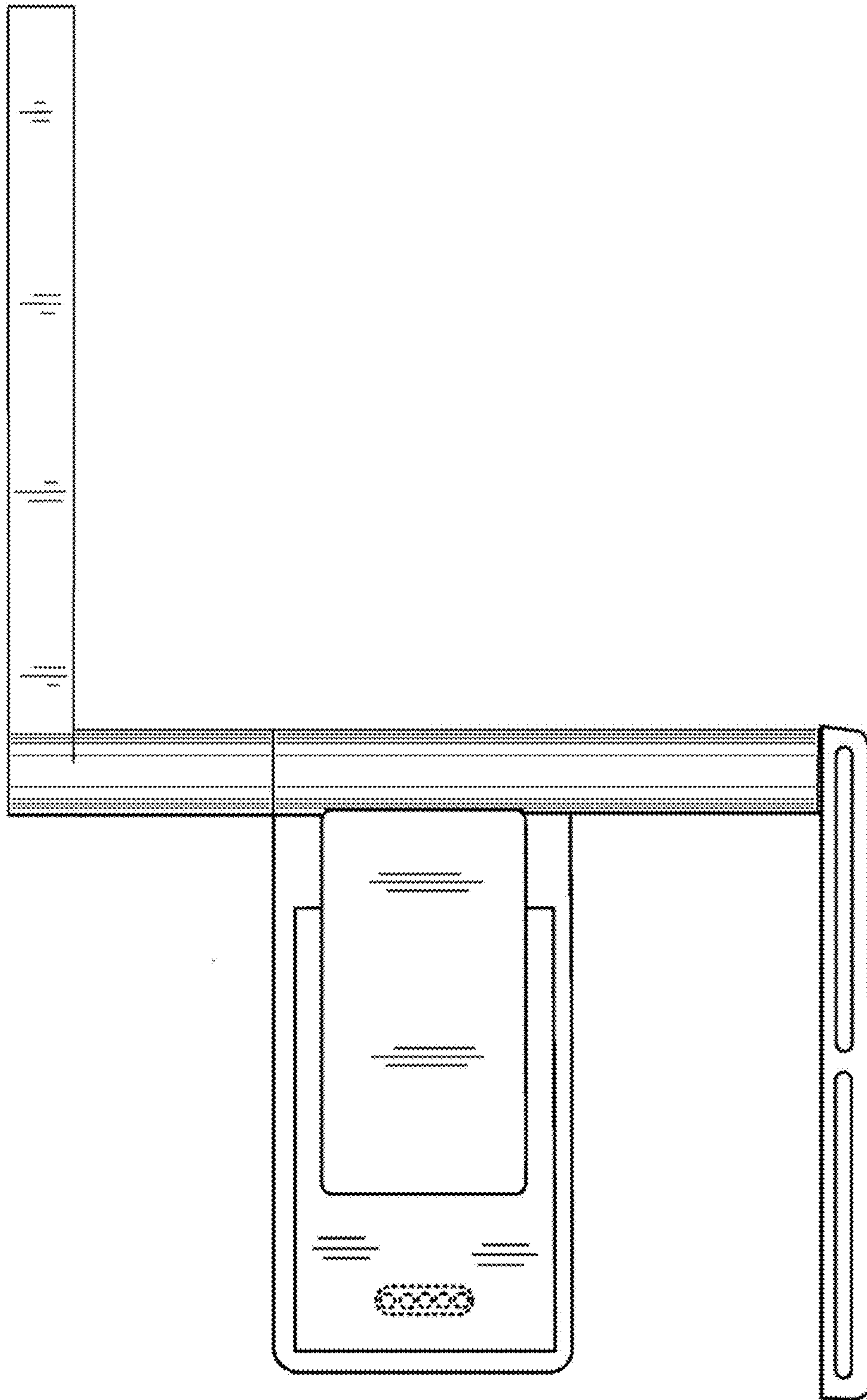


FIG. 11

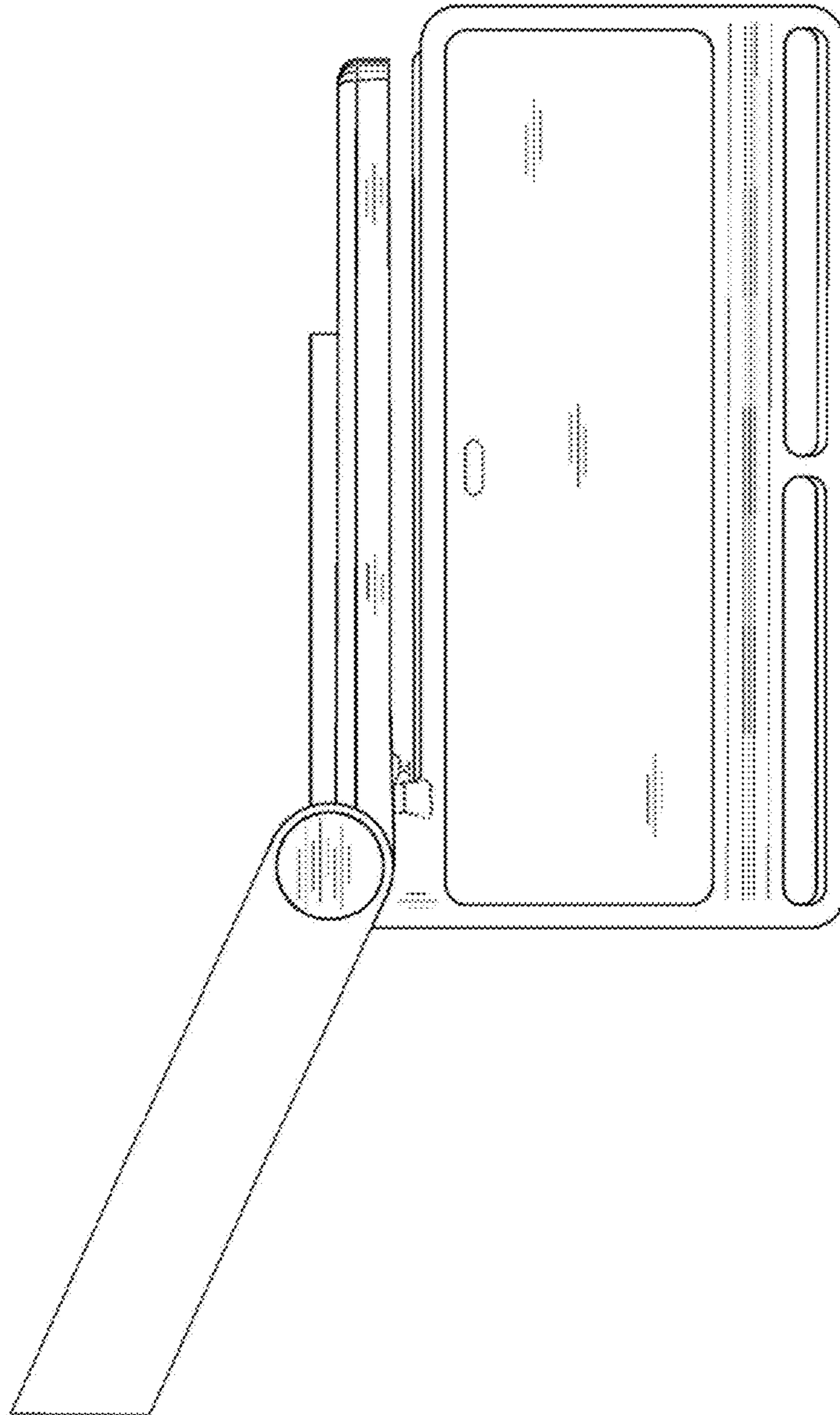


FIG. 12

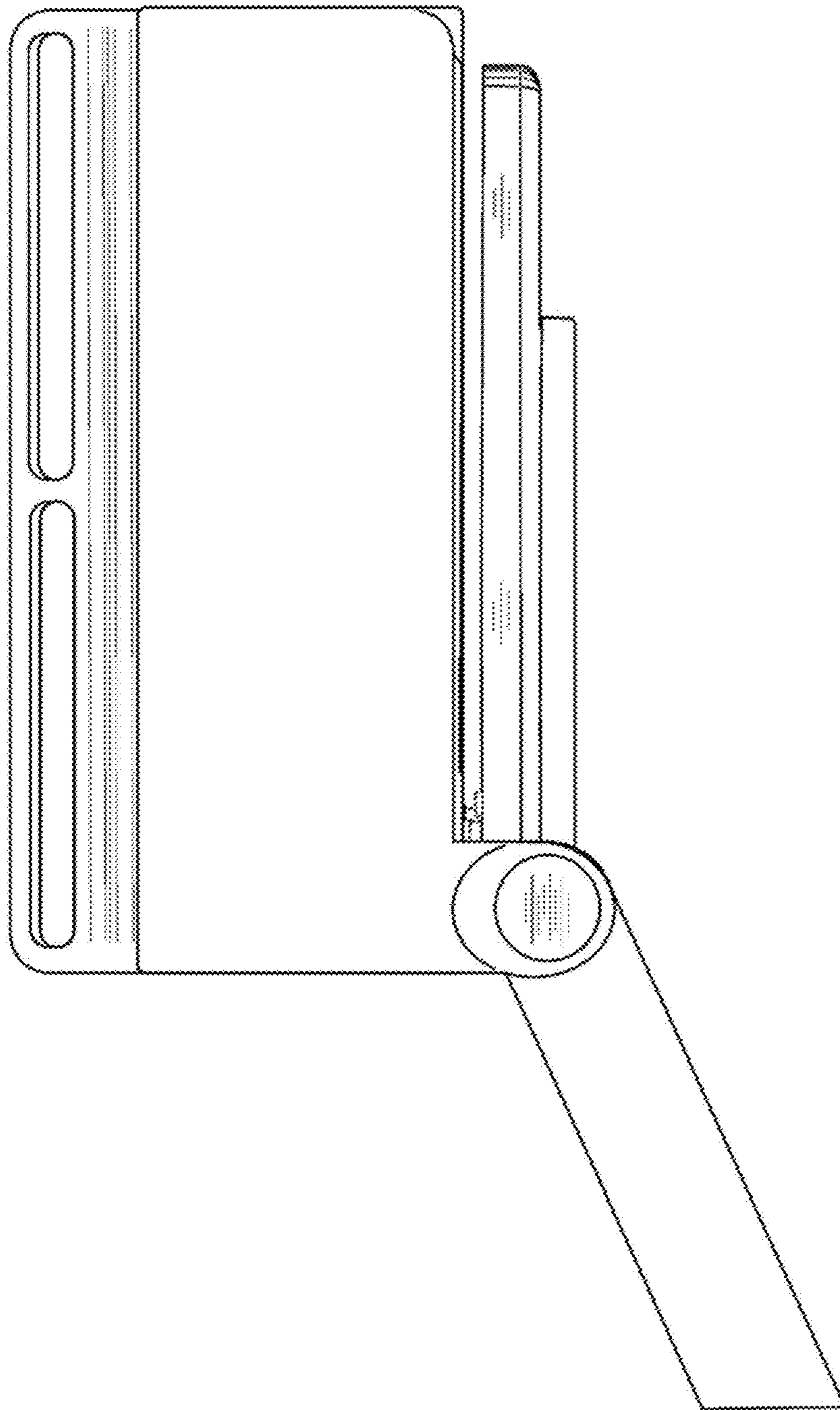


FIG. 13

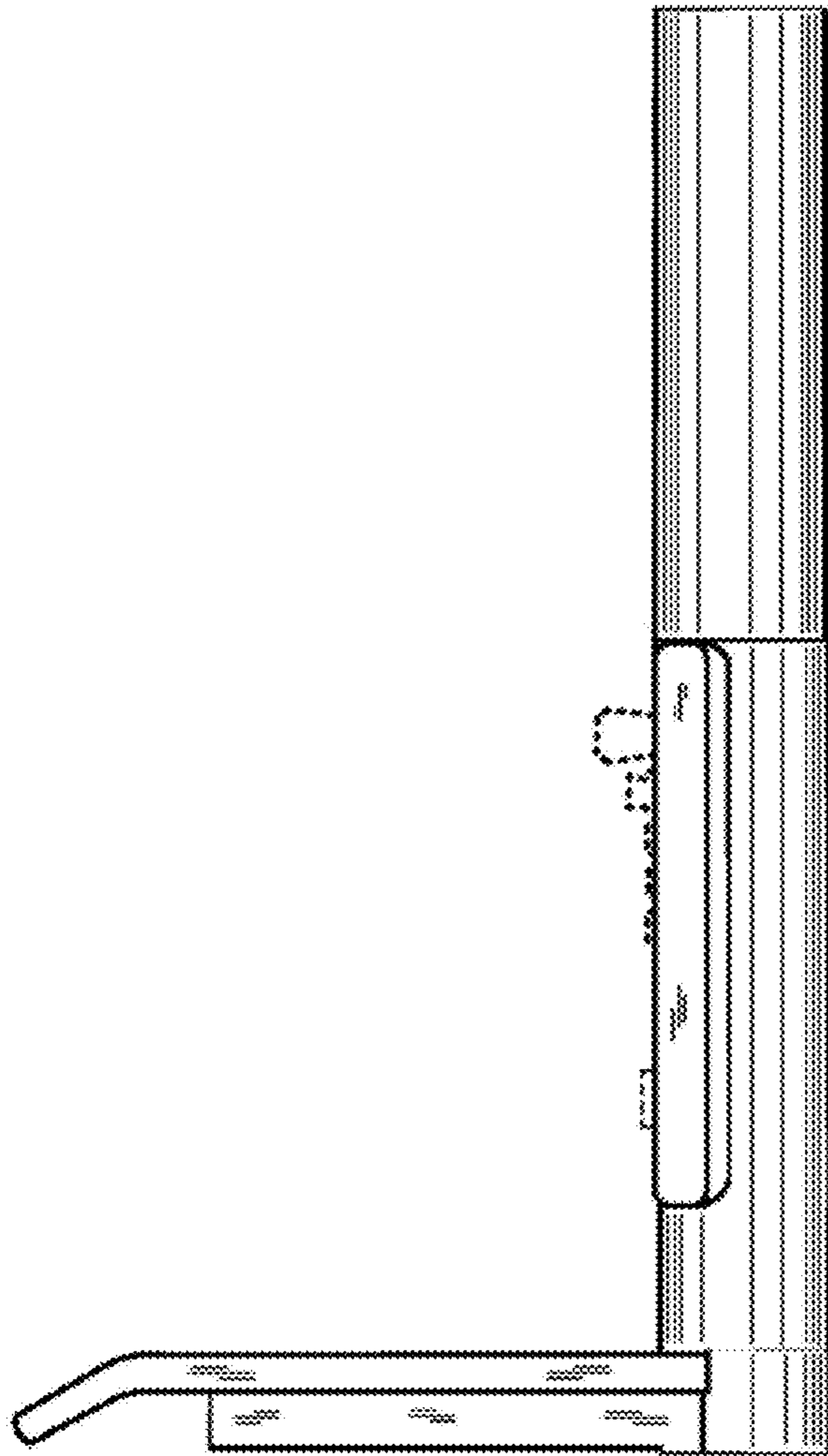


FIG. 14

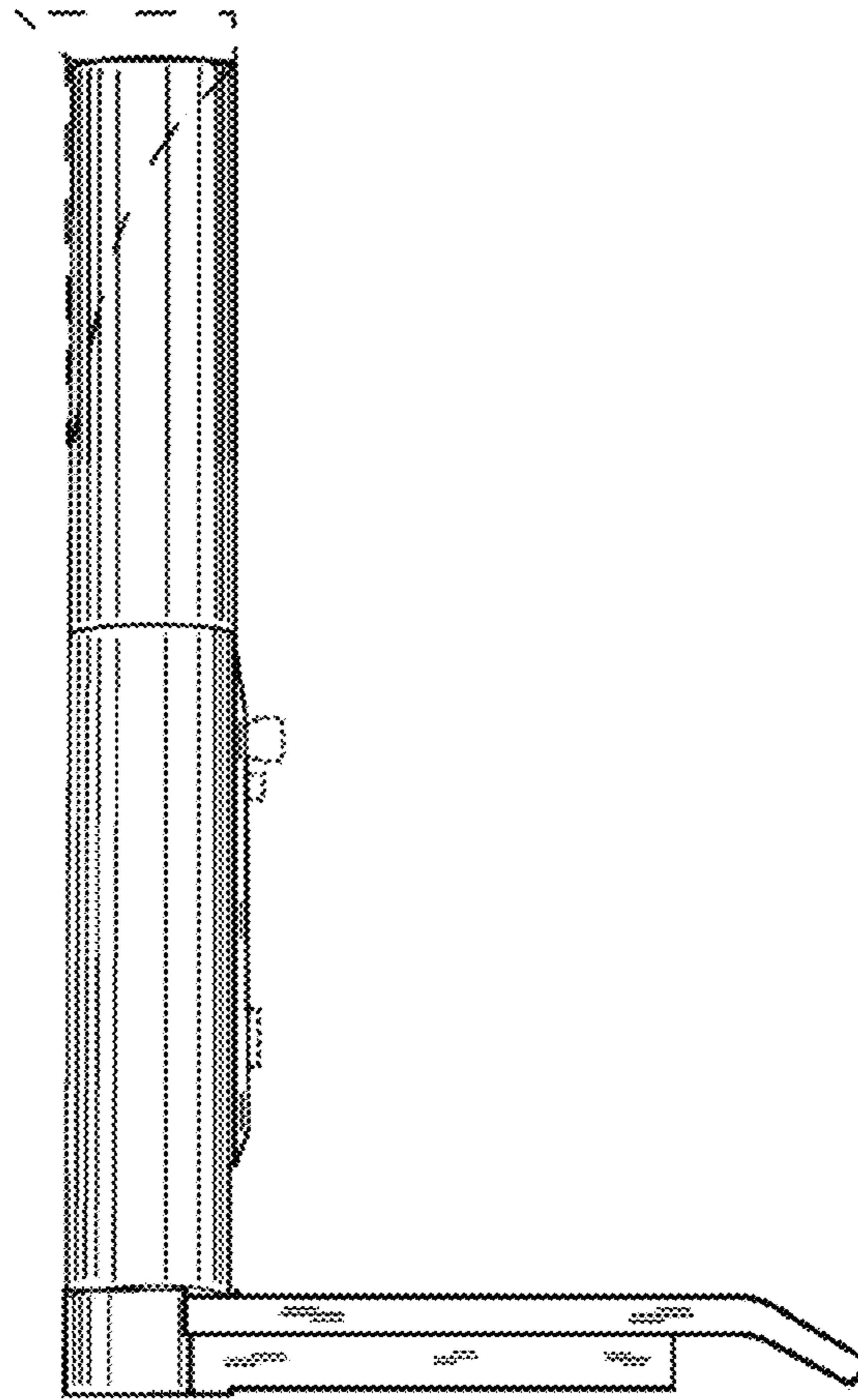


FIG. 15

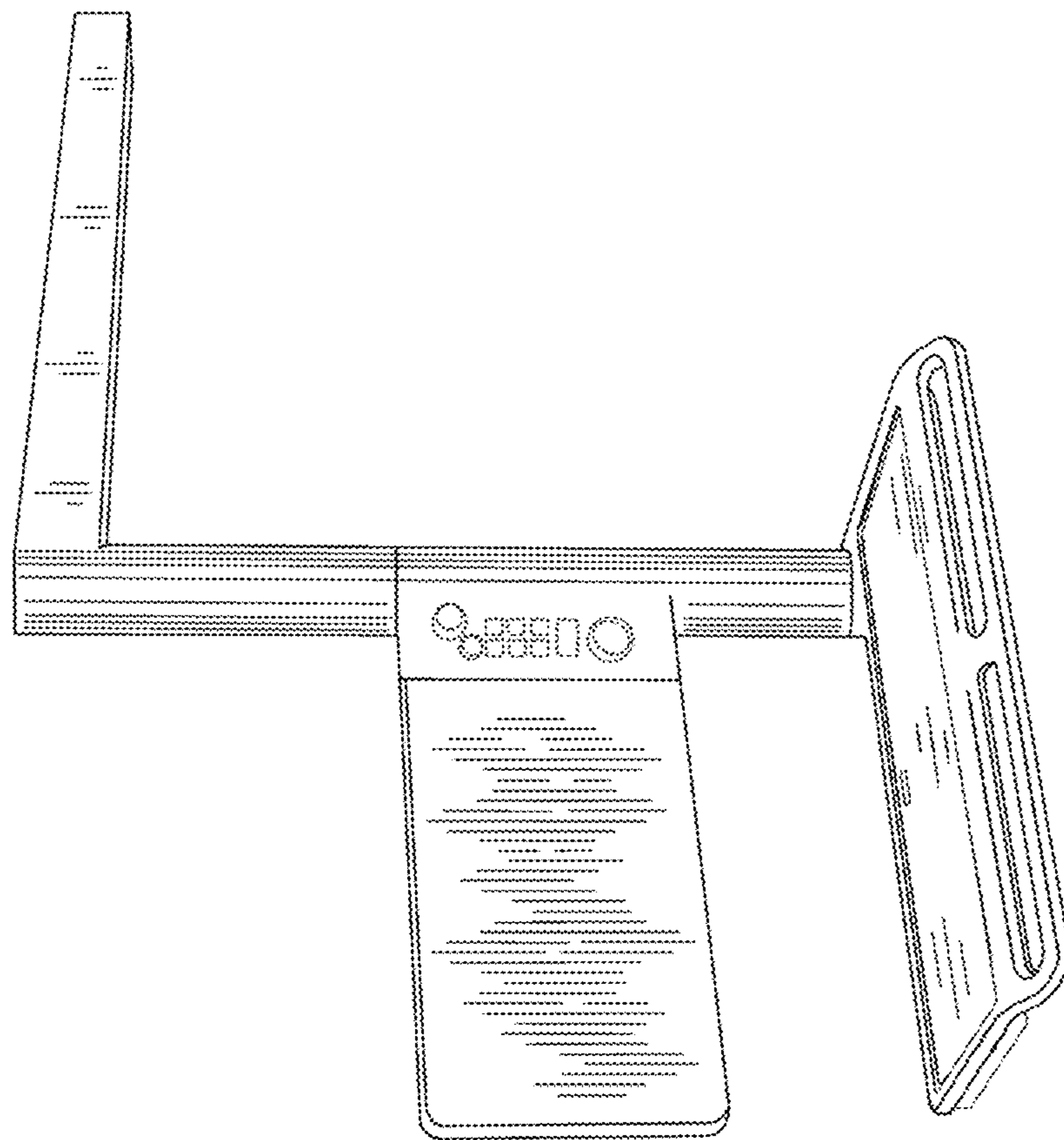


FIG. 16