



US00D800726S

(12) **United States Design Patent** (10) **Patent No.:** **US D800,726 S**  
**Su et al.** (45) **Date of Patent:** **\*\* Oct. 24, 2017**

(54) **HEAD MOUNTED DISPLAY**  
(71) Applicant: **Quanta Computer Inc.**, Taoyuan (TW)  
(72) Inventors: **Shiu-Yi Su**, Taoyuan (TW); **Shih-Yun Lee**, Taoyuan (TW); **Gwo-Chyuan Chen**, Taoyuan (TW)  
(73) Assignee: **QUANTA COMPUTER INC.**,  
Guishan Dist., Taoyuan (TW)

D738,374 S \* 9/2015 Luckey ..... D14/372  
D741,327 S \* 10/2015 Reznik ..... D14/372  
D749,583 S \* 2/2016 Luckey ..... D14/372  
D771,625 S \* 11/2016 Sullivan ..... D14/372  
D771,627 S \* 11/2016 Ko ..... D14/372  
D778,909 S \* 2/2017 Nokuo ..... D14/372  
D780,751 S \* 3/2017 Park ..... D14/372  
D781,288 S \* 3/2017 Park ..... D14/372  
D781,289 S \* 3/2017 Patel ..... D14/372  
D783,019 S \* 4/2017 Letbetter ..... D14/372

\* cited by examiner

(\*\*) Term: **15 Years**

*Primary Examiner* — Austin Murphy

(21) Appl. No.: **29/575,819**

(74) *Attorney, Agent, or Firm* — McClure, Qualey & Rodack, LLP

(22) Filed: **Aug. 29, 2016**

(30) **Foreign Application Priority Data**

(57) **CLAIM**

Jul. 26, 2016 (TW) ..... 105304263

The ornamental design for head mounted display, as shown and described.

(51) **LOC (10) Cl.** ..... **14-02**

(52) **U.S. Cl.**  
USPC ..... **D14/372**

**DESCRIPTION**

(58) **Field of Classification Search**  
USPC ..... D14/372, 496, 432, 371, 125, 126, 129,  
D14/299; D16/300–342; 351/158, 153,  
351/144; 345/7–9, 905; 455/344;  
348/115, 53, 121, 739  
CPC ..... G02B 27/017; G02B 27/0158; G02B  
27/0161; G02B 27/0181; G02B 27/0185;  
G02B 27/0189

FIG. 1 is a front perspective view of a head mounted display in accordance with our new design;  
FIG. 2 is a front view thereof;  
FIG. 3 is a rear view thereof;  
FIG. 4 is a left side view thereof;  
FIG. 5 is a right side view thereof;  
FIG. 6 is a top plan view thereof;  
FIG. 7 is a bottom plan view thereof; and,  
FIG. 8 is a reference perspective view showing the head mounted display during usage.

See application file for complete search history.

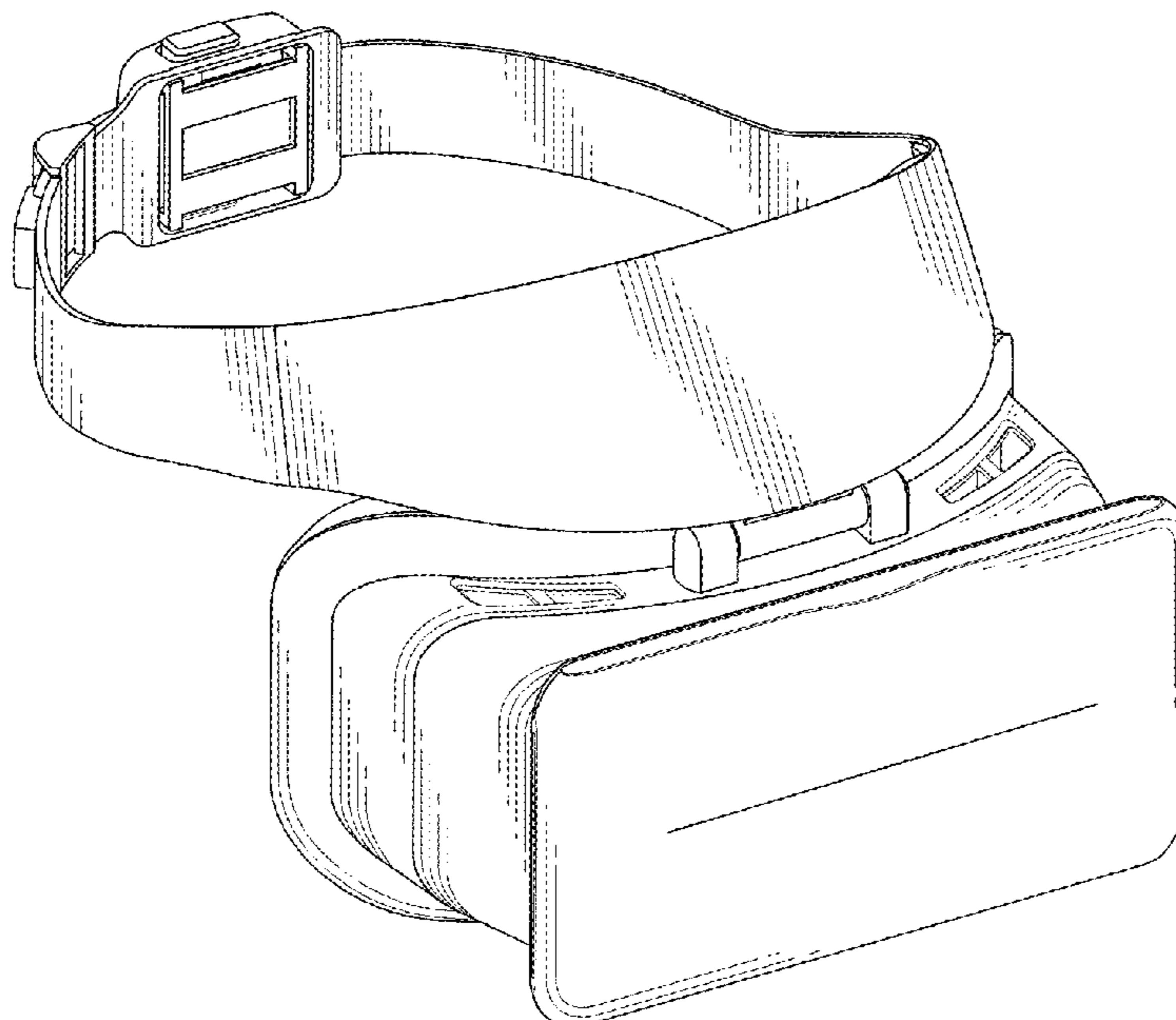
The broken lines depict portions of a head mounted display in which the design is embodied and form no part of the claimed design.

(56) **References Cited**

**U.S. PATENT DOCUMENTS**

D427,982 S \* 7/2000 Ishii ..... D14/372  
D727,896 S \* 4/2015 Laluque ..... D14/372

**1 Claim, 8 Drawing Sheets**



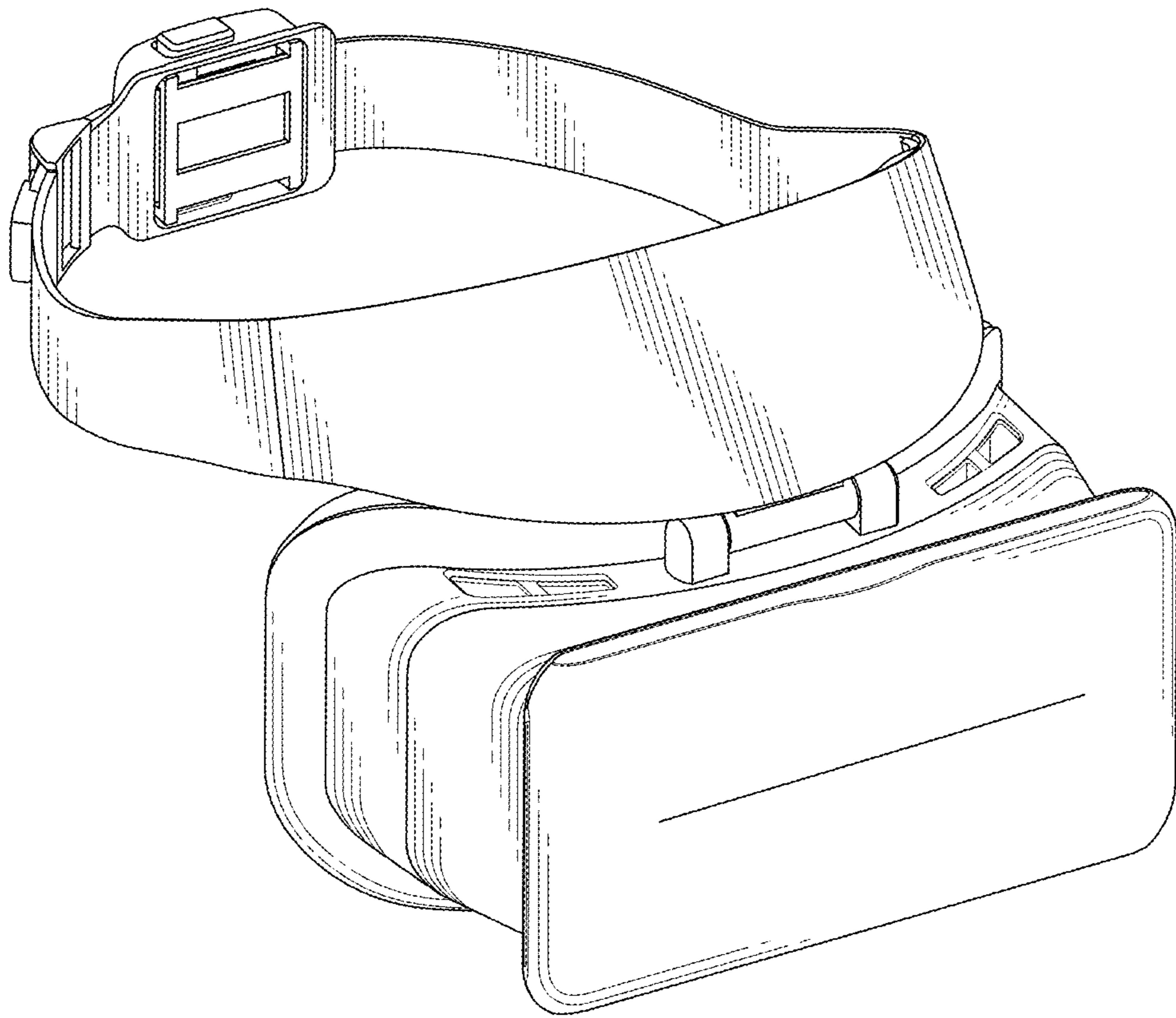


FIG. 1

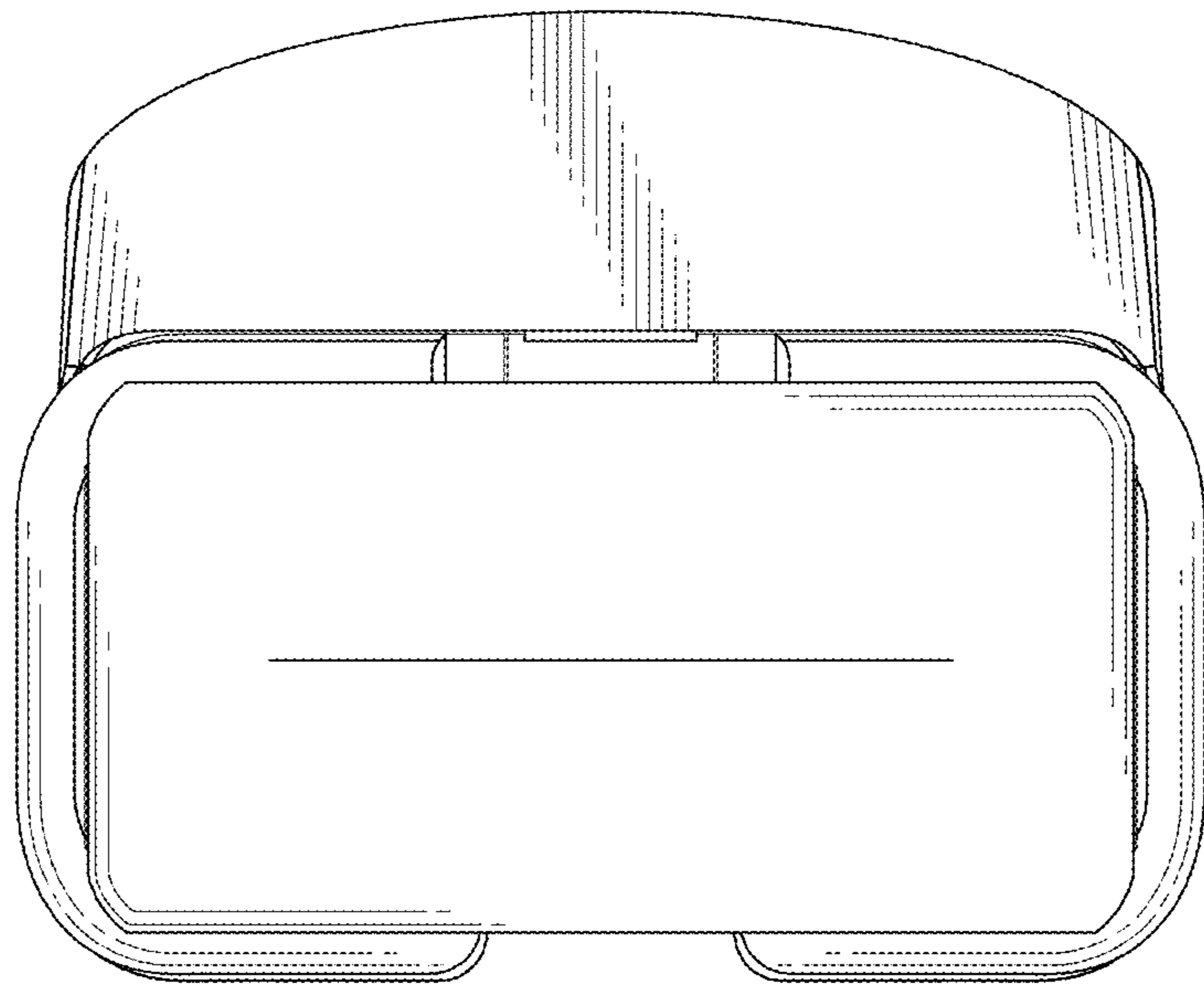


FIG. 2

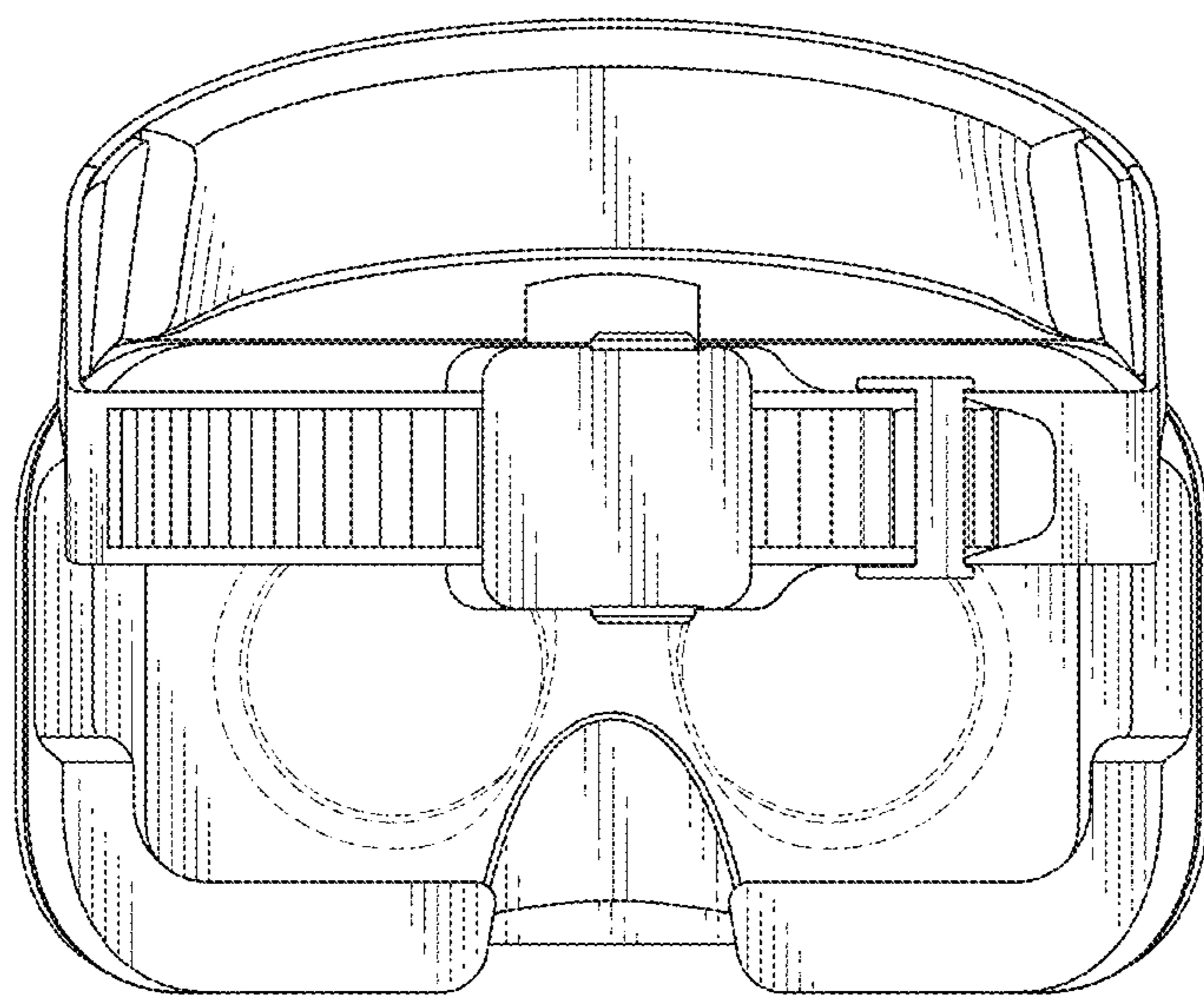


FIG. 3

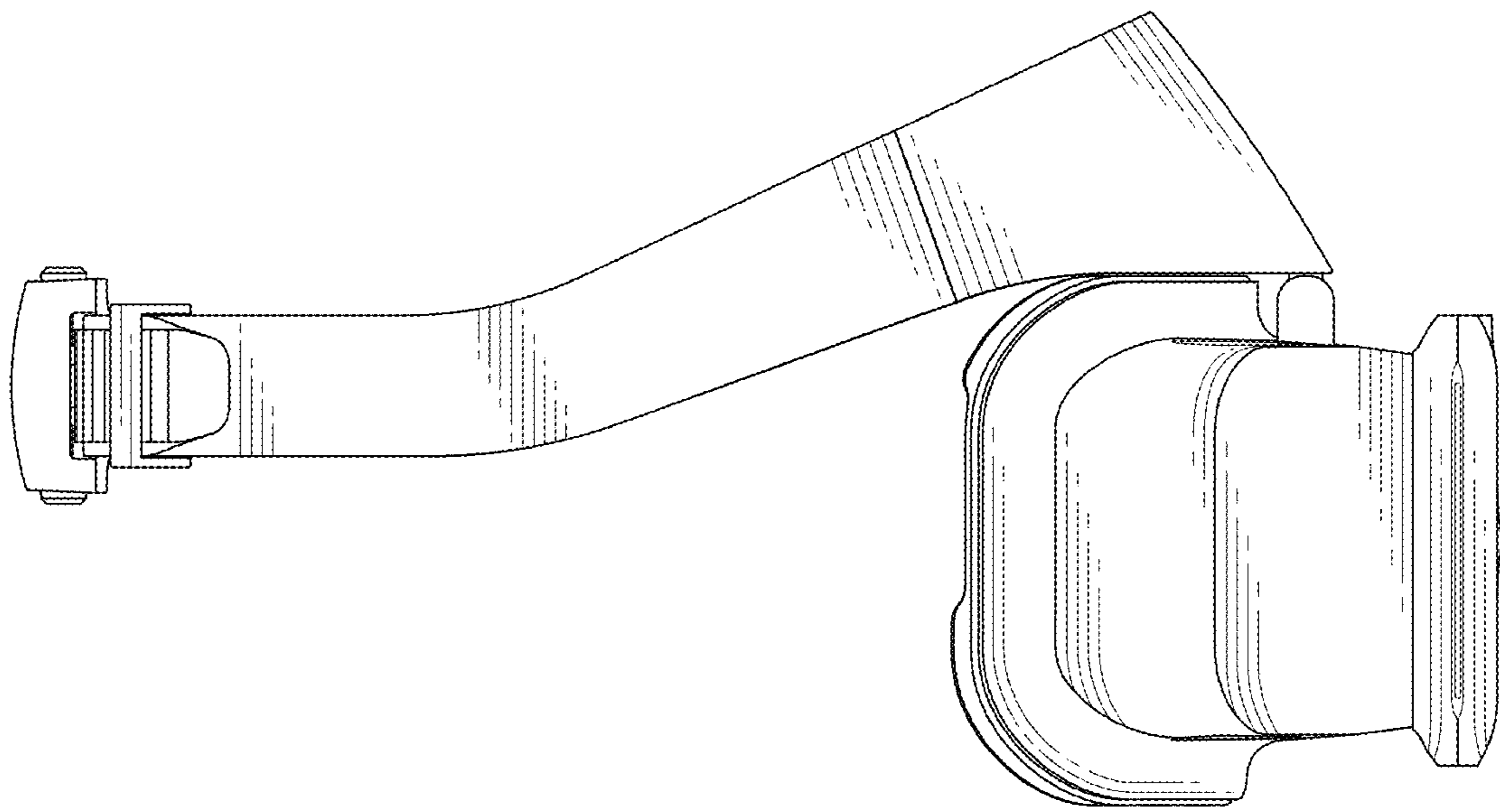


FIG. 4

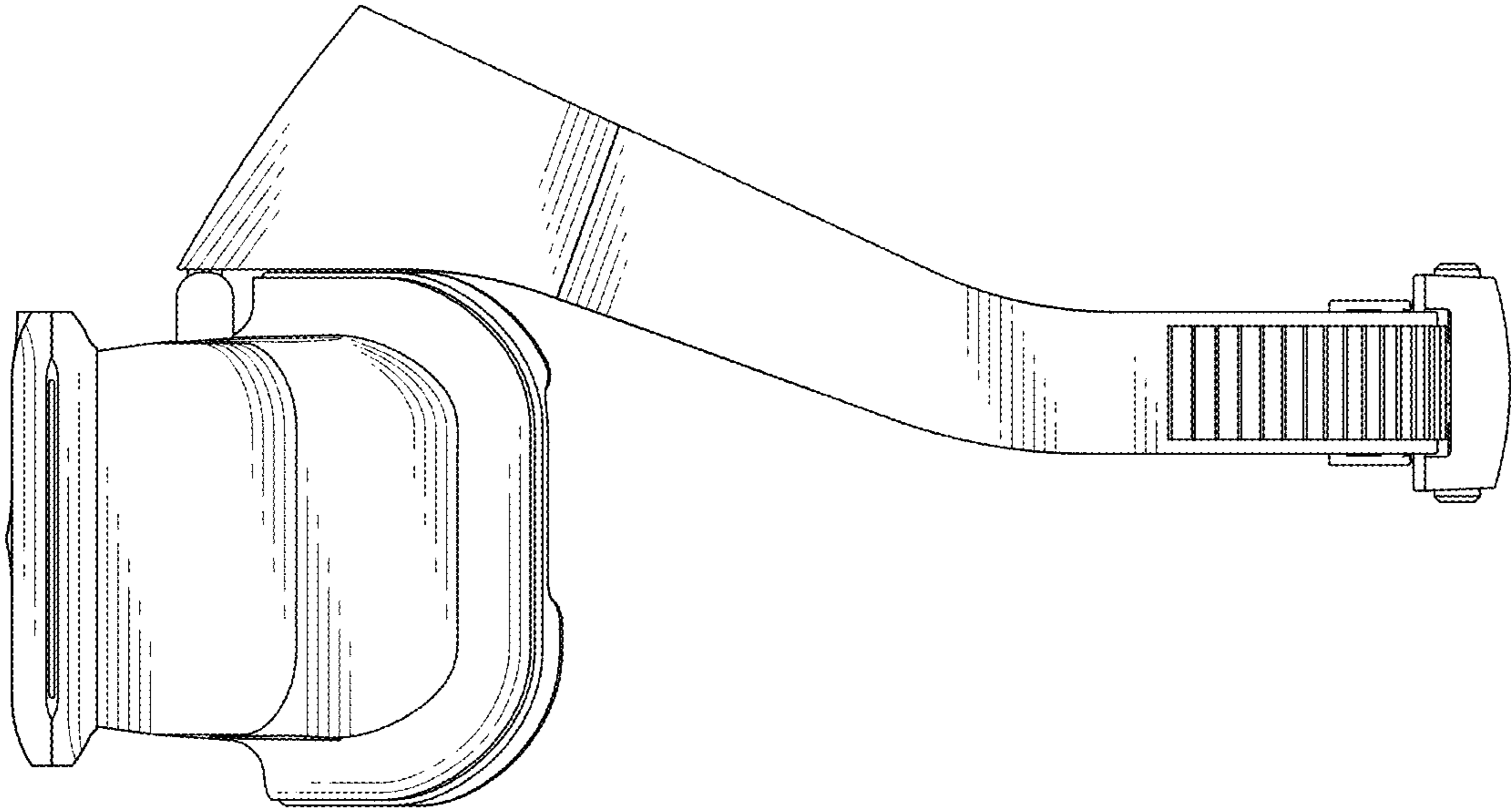


FIG. 5

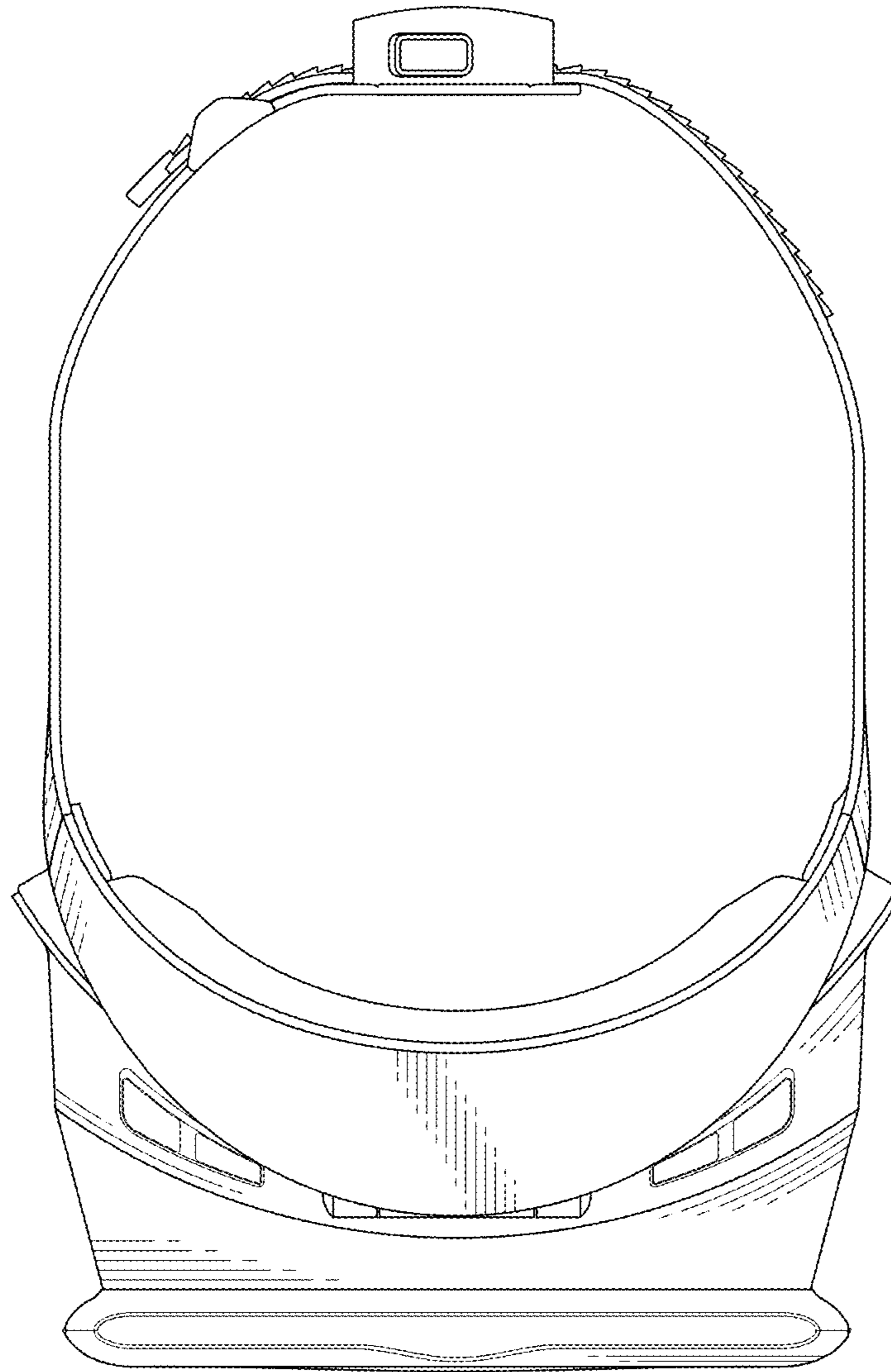


FIG. 6

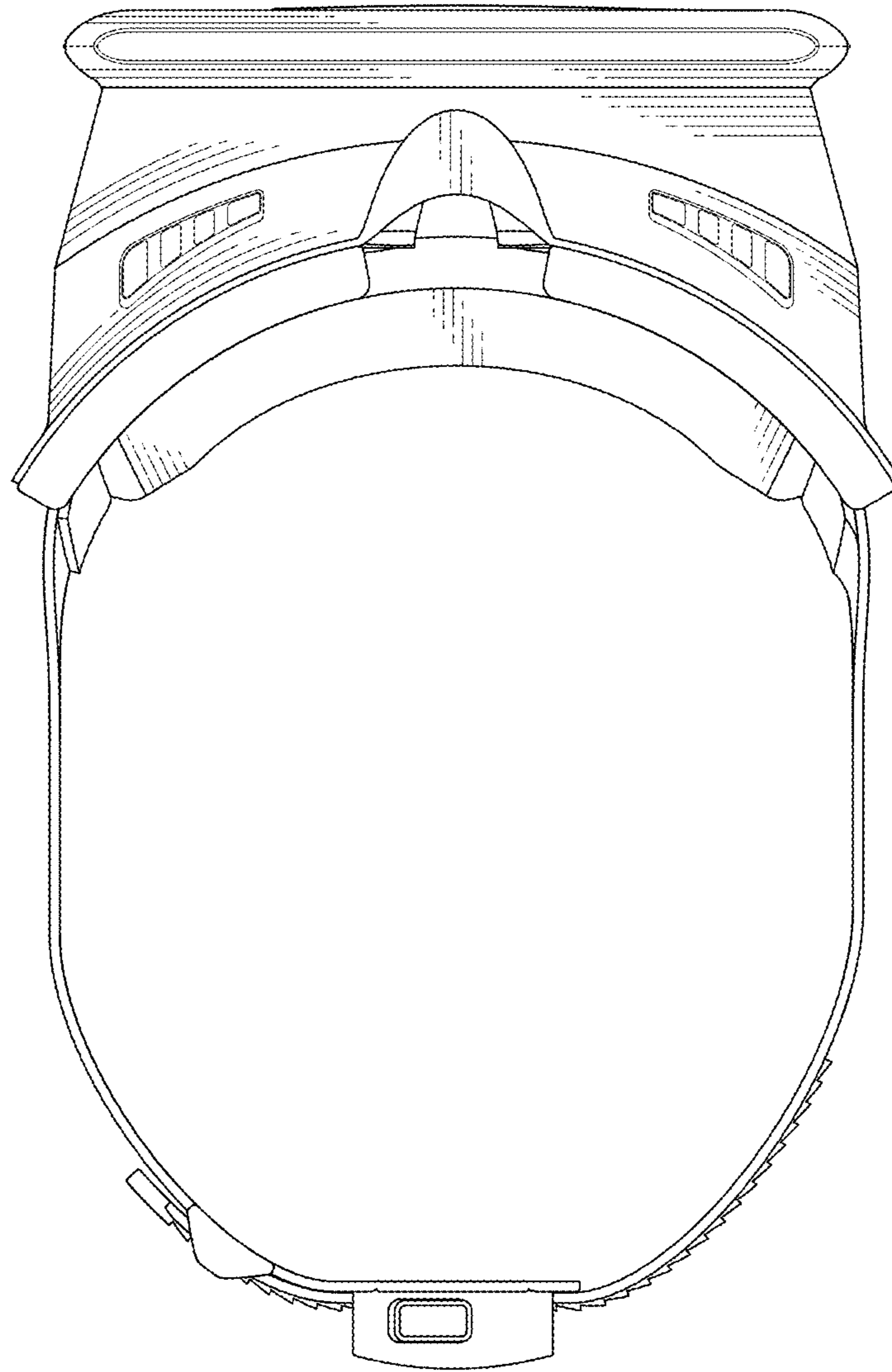


FIG. 7



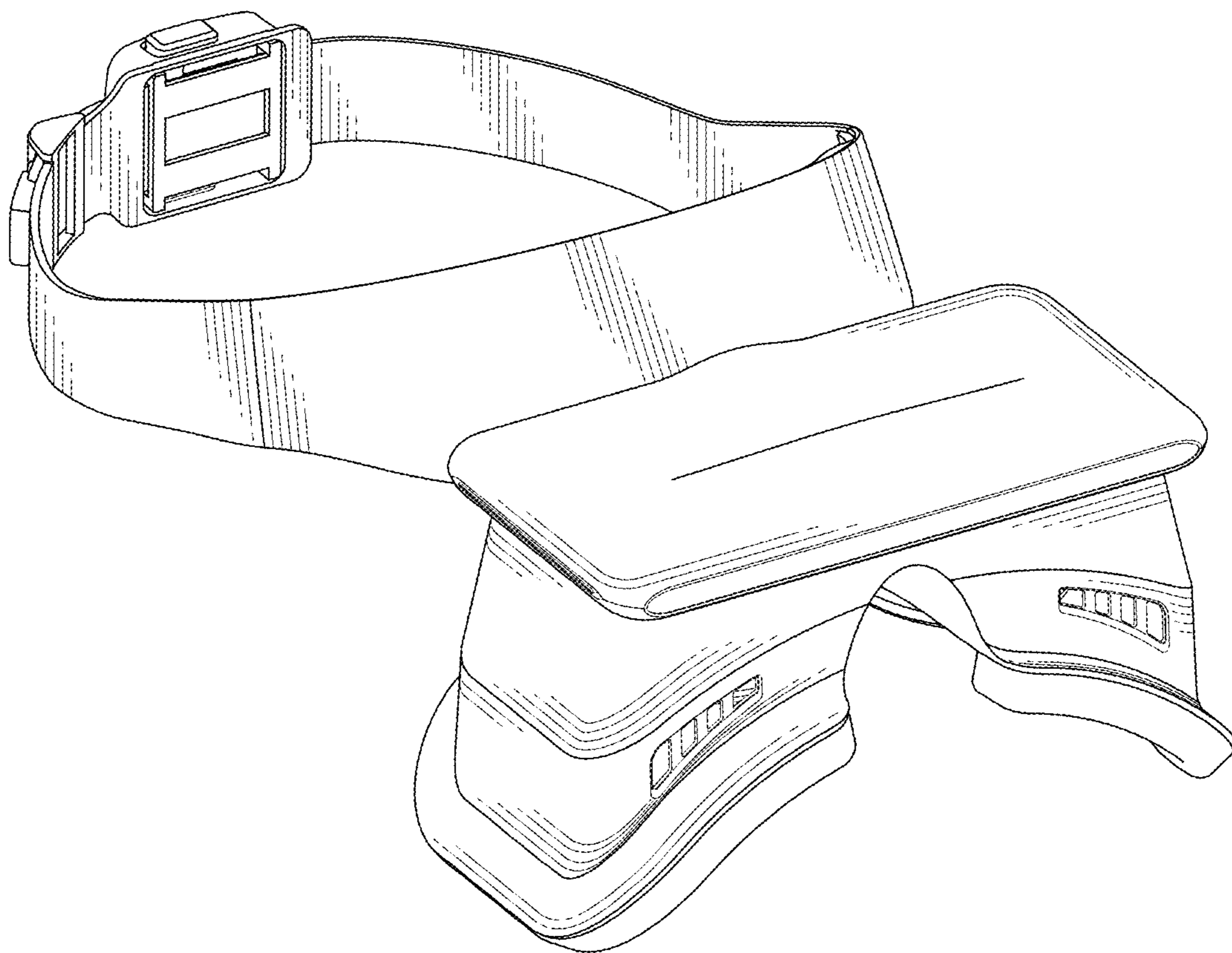


FIG. 8