



US00D800725S

(12) **United States Design Patent** (10) **Patent No.:** **US D800,725 S**
Akana et al. (45) **Date of Patent:** **** Oct. 24, 2017**

(54) **DISPLAY FOR ELECTRONIC DEVICE**

(71) Applicant: **Apple Inc.**, Cupertino, CA (US)

(72) Inventors: **Jody Akana**, San Francisco, CA (US); **Bartley K. Andre**, Palo Alto, CA (US); **Shota Aoyagi**, San Francisco, CA (US); **Anthony Michael Ashcroft**, San Francisco, CA (US); **Jeremy Bataillou**, San Francisco, CA (US); **Daniel J. Coster**, San Francisco, CA (US); **Daniele De Iuliis**, San Francisco, CA (US); **Erik Geddes Pieter De Jong**, San Francisco, CA (US); **M. Evans Hankey**, San Francisco, CA (US); **Julian Hoenig**, San Francisco, CA (US); **Richard P. Howarth**, San Francisco, CA (US); **Jonathan P. Ive**, San Francisco, CA (US); **Peter Jon Kardassakis**, Mountain View, CA (US); **Duncan Robert Kerr**, San Francisco, CA (US); **Marc A. Newson**, London (GB); **Matthew Dean Rohrbach**, San Francisco, CA (US); **Fletcher Rothkopf**, Los Altos, CA (US); **Peter Russell-Clarke**, San Francisco, CA (US); **Benjamin Andrew Shaffer**, San Jose, CA (US); **Anna-Katrina Shedletsky**, Mountain View, CA (US); **Mikael Silvanto**, San Francisco, CA (US); **Christopher J. Stringer**, Woodside, CA (US); **Katherine E. Tong**, San Francisco, CA (US); **Samuel Bruce Weiss**, Los Altos Hills, CA (US); **Eugene Antony Whang**, San Francisco, CA (US); **Rico Zörkendörfer**, San Francisco, CA (US)

(73) Assignee: **Apple Inc.**, Cupertino, CA (US)

(**) Term: **15 Years**

(21) Appl. No.: **29/566,661**

(22) Filed: **Jun. 1, 2016**

Related U.S. Application Data

(63) Continuation of application No. 29/499,087, filed on Aug. 11, 2014, now Pat. No. Des. 758,363.

(51) **LOC (10) Cl.** **14-02**

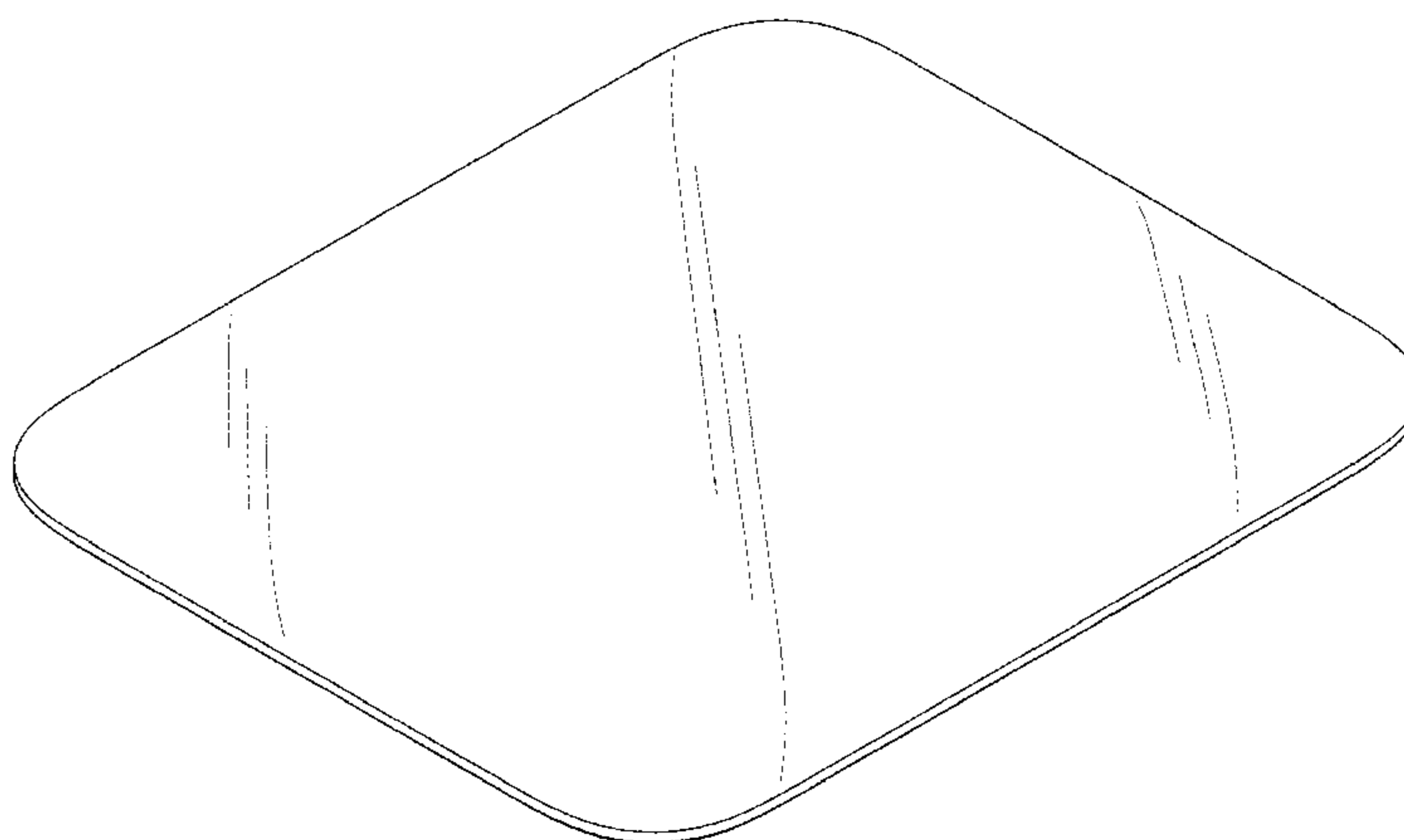
(52) **U.S. Cl.**
USPC **D14/371**

(58) **Field of Classification Search**
USPC D14/371-375, 125-129, 341, 344, 239; 341/12; 345/104, 156, 168, 173; 348/180, 184, 325, 739; 349/1, 2, 11, 62; 361/679.05-679.07, 679.21; D6/300, 308
CPC G06F 1/16; G06F 1/1601; G06F 3/037; G06F 1/162; G06F 1/1613; G06F 1/133308; F16M 11/02; F16M 11/10; F16M 11/00; F16M 11/06; F16M 11/18; F16M 11/045; F16M 11/105; F16M 11/041; F16M 11/126; F16M 11/04; F16M 13/02; F16M 11/24; A47F 5/00
See application file for complete search history.

(56) **References Cited**

U.S. PATENT DOCUMENTS

| | | | |
|----------------|---------|-----------------|--------------------------|
| 3,640,065 A | 2/1972 | Lederrey et al. | |
| D287,471 S | 12/1986 | Sato et al. | |
| 5,386,933 A | 2/1995 | Greene et al. | |
| 6,655,831 B1 | 12/2003 | Ruffieux | |
| D496,589 S | 9/2004 | Perrenoud | |
| D497,364 S * | 10/2004 | Ozolins | D14/374 |
| 6,970,157 B2 | 11/2005 | Siddeeq | |
| D513,195 S | 12/2005 | Gruosi | |
| 7,004,469 B2 | 2/2006 | Von Goeben | |
| D528,439 S | 9/2006 | Burton | |
| D528,928 S | 9/2006 | Burton | |
| 7,106,197 B2 | 9/2006 | Gaiotto et al. | |
| 7,298,076 B2 * | 11/2007 | Ozolins | G02F 1/1333 220/2.1 R |
| D558,227 S | 12/2007 | Cho et al. | |
| D572,266 S | 7/2008 | Anderson et al. | |
| D574,735 S | 8/2008 | Landman et al. | |
| D578,922 S | 10/2008 | Hoshino | |
| D584,170 S | 1/2009 | Morrison | |
| D586,823 S | 2/2009 | Anderson et al. | |
| D589,375 S | 3/2009 | Tang | |
| D596,610 S | 7/2009 | Hou | |
| D616,417 S | 5/2010 | Liao | |
| 7,708,457 B2 | 5/2010 | Girardin et al. | |
| D625,306 S * | 10/2010 | Miyawaki | D14/341 |
| D637,094 S | 5/2011 | Cobbett et al. | |
| D637,918 S | 5/2011 | Cobbett et al. | |
| D650,706 S | 12/2011 | Zanella et al. | |



| | | | | |
|--------------|-----|---------|----------------|---------|
| D666,503 | S | 9/2012 | Bulgari | |
| D672,344 | S * | 12/2012 | Li | D14/341 |
| D681,483 | S | 5/2013 | Biegert et al. | |
| D699,701 | S | 2/2014 | Kim | |
| D719,123 | S * | 12/2014 | Park | D10/38 |
| D722,986 | S * | 2/2015 | Zwier | D14/126 |
| D728,624 | S | 5/2015 | Akana et al. | |
| D729,670 | S | 5/2015 | Nuovo et al. | |
| D734,282 | S * | 7/2015 | Shin | D14/126 |
| D737,156 | S | 8/2015 | Akana et al. | |
| D737,157 | S | 8/2015 | Akana et al. | |
| D737,158 | S | 8/2015 | Akana et al. | |
| D737,159 | S | 8/2015 | Akana et al. | |
| D743,278 | S * | 11/2015 | Solomon | D10/38 |
| D744,356 | S | 12/2015 | Akana et al. | |
| D745,421 | S | 12/2015 | Akana et al. | |
| D746,707 | S | 1/2016 | Akana et al. | |
| D749,569 | S * | 2/2016 | Ji | D10/38 |
| D751,070 | S | 3/2016 | Akana et al. | |
| D752,044 | S | 3/2016 | Akana et al. | |
| D756,357 | S | 5/2016 | Akana et al. | |
| D758,363 | S * | 6/2016 | Akana | D10/30 |
| 2009/0156255 | A1 | 6/2009 | Shin et al. | |
| 2010/0061191 | A1 | 3/2010 | Chen | |
| 2014/0028688 | A1 | 1/2014 | Houjou et al. | |

FOREIGN PATENT DOCUMENTS

| | | |
|----|------------------|---------|
| CN | D3184158 | 4/2001 |
| CN | D3210240 | 11/2001 |
| CN | D3329483 | 10/2003 |
| DE | 10229050 C1 | 6/2003 |
| EP | 1098231 A1 | 5/2001 |
| ES | 001359301-0002 | 6/2013 |
| JP | D1095230 | 1/2001 |
| JP | D1433113 | 2/2001 |
| JP | D1119440 | 8/2001 |
| JP | D1127245 | 11/2001 |
| JP | D1127493 | 11/2001 |
| JP | D1264904 | 3/2006 |
| JP | D1281287 | 9/2006 |
| JP | D1302423 | 6/2007 |
| JP | D1350052 | 2/2009 |
| JP | D1368561 | 8/2009 |
| JP | D1448195 | 8/2012 |
| JP | D1462747 | 2/2013 |
| JP | D1466391 | 4/2013 |
| JP | D1477307 | 8/2013 |
| JP | D1503504 | 7/2014 |
| JP | D1511747 | 11/2014 |
| JP | D1518040 | 2/2015 |
| WO | DM/066491-004 | 3/2005 |
| WO | DM072215 | 9/2009 |
| WO | DM/077452-004 | 6/2011 |
| WO | WO-2014135709 A2 | 9/2014 |

OTHER PUBLICATIONS

U.S. Appl. No. 29/499,081, filed Aug. 11, 2014; Akana et al.
 U.S. Appl. No. 29/499,082, filed Aug. 11, 2014; Akana et al.
 U.S. Appl. No. 29/499,084, filed Aug. 11, 2014; Akana et al.
 U.S. Appl. No. 29/499,090, filed Aug. 11, 2014; Akana et al.
 U.S. Appl. No. 29/501,624, filed Sep. 5, 2014; Akana et al.
 U.S. Appl. No. 29/501,733, filed Sep. 8, 2014; Akana et al.
 U.S. Appl. No. 29/501,737, filed Sep. 8, 2014; Akana et al.
 U.S. Appl. No. 29/501,752, filed Sep. 8, 2014; Akana et al.
 U.S. Appl. No. 29/555,914, filed Feb. 25, 2016; Inventorship to be Determined.
 U.S. Appl. No. 29/557,215, filed Mar. 7, 2016; Inventorship to be Determined.
 U.S. Appl. No. 29/557,219, filed Mar. 7, 2016; Inventorship to be Determined.
 Alvarez, Edgar, "Basis Peak to get its smartwatch-like features in December," engadget.com, <<http://www.engadget.com/2014/11/20/basis-peak-new-features/>>, dated Nov. 20, 2014, accessed Dec. 15, 2014.

Cool Material, "Braun Square Digital Watch," <<http://web.archive.org/web/20111125033014/http://coolmaterial.com/style/braun-square-digital-watch/>>, dated Nov. 25, 2011, accessed Dec. 18, 2014.
 Emily, "Nixon—The Newton Digital," <<http://www.freshnessmag.com/2009/09/08/nixon-the-newton-digital/>>, freshnessmag.com, dated Sep. 8, 2009, accessed Oct. 9, 2014.
 Fitbit, "Fitbit Surge™ Fitness Super Watch" <<https://www.fitbit.com/surge>>, accessed Dec. 15, 2014.
 geekbuying.com, "Makibes unisex red led digital wrist watch with square case silicone watchband—white," <<http://www.geekbuying.com/item/Unisex-Red-LED-Digital-Wrist-Watch-with-Square-Case-Silicone-Watchband---White-326443.html>>, accessed Oct. 9, 2014.
 Hodinkee.com, "Apple iPod Nano Now Available With Mickey Mouse Dial, Also Cheesy, Mechanically Inaccurate Open-Worked Dial," <<http://web.archive.org/web/20111006043916/http://www.hodinkee.com/blog/2011/10/5/apple-ipod-nano-now-available-with-mickey-mouse-dial-also-ch.html>>, dated Oct. 6, 2011, accessed Dec. 18, 2014.
 Homego, "M6 Silver Smart Watch Cell Phone 1.54 inch Bluetooth 3.0 Dialer Outdoor Sports Pedometer," amazon.com, <<http://www.amazon.com/Silver-Bluetooth-Dialer-Outdoor-Pedometer/dp/B00MQTBGK6>>, accessed Dec. 15, 2014.
 Ikepod, "Original Ikepod Watch With GMT—Marc Newson Design," Watchbox.be, <<http://www.watchbox.be/prod/Other-Watches/Marc%20Newson%20Design/item7165.htm#VJLm2fAo5D8>>, accessed Dec. 17, 2014.
 LG Life's Good, "LG G Watch (W100)," <<http://www.lg.com/us/smart-watches/lg-W100-g-watch>>, accessed Dec. 18, 2014.
 Metawatch, "Frame—Black (MW3005)," <<http://meta.watch/collections/smartwatch-all/products/frame-ss-black-leather>>, accessed Dec. 15, 2014.
 Omate, "Omate TrueSmart: Water-resistant standalone Smartwatch 2.0," <<http://www.kickstarter.com/projects/omate/omate-truesmart-water-resistant-standalone-smartwa>>, dated Aug. 21, 2013, accessed Oct. 8, 2014.
 Omate, "The TrueSmart™ is the world's first standalone smartwatch 2.0 running on top of Android and OUI 2.0," <<http://www.omate.com/product.html>>, accessed Dec. 15, 2014.
 Pebble, "Pebble Smartwatch," getpebble.com, <<https://getpebble.com/checkout>>, accessed Dec. 15, 2014.
 Samsung, "Samsung Gear™ 2 Charcoal Black SM-R3800VSAXAR," <<http://www.samsung.com/us/mobile/wearable-tech/SM-R3800VSAXAR>>, accessed Dec. 15, 2014.
 Samsung, "Samsung Gear S™, (Sprint), Black SM-R750PZKASPR," <<http://www.samsung.com/us/mobile/wearable-tech/SM-R750PZKASPR>>, accessed Dec. 15, 2014.
 Samsung, "Galaxy Gear™ Live, Black SM-R3820ZKAXAR," <<http://www.samsung.com/us/mobile/wearable-tech/SM-R3820ZKAXAR>>, accessed Dec. 15, 2014.
 Sony, "SmartWatch 3 SWR50," <<http://www.sonymobile.com/us/products/smartwear/smartwatch-3-swr50/>>, accessed Dec. 15, 2014.
 Sony, "SmartWatch," <<http://www.sonymobile.com/us/products/accessories/smartwatch/>>, accessed Dec. 15, 2014.
 Stables, James, "Clevercare smartwatch aims to help Alzheimer's suffers and carers: Revamped Sony SmartWatch 2 designed for users that need care," Wearable News, <<http://www.wearable.com/wearable-tech/clevercare-smartwatch-aims-to-help-alzheimers-suffers-and-carers-585>>, dated Dec. 15, 2014.
 Team Luxe, "Collector's Edition: Hermes Carre H Watch," Luxpresso, <<http://luxpresso.com/news-couture/collectors-edition-hermes-carre-h-watch/2814>>, dated Jan. 10, 2011, accessed Dec. 18, 2014.
 Ted Baker, "Ted Baker Men's TE1054 Time Flies Contemporary Square Digital Case Watch," <<http://www.amazon.com/Ted-Baker-TE1054-Contemporary-Digital/dp/B0045CRTYO%3FSubscriptionId%3DAKIAJ3U4YRIBWCGGKZ2A%26tag%3Dfrases365-20%26linkCode%3Dsp1%26camp%3D2025%26creative%3D165953%26creativeASIN%3DB0045CRTYO>>, accessed Oct. 9, 2014.

Velazco, Chris, "Asus ZenWatch review: subtle and stylish, with a few shortcomings," Engadget.com, <<http://www.engadget.com/2014/12/11/asus-zenwatch-review/>>, dated Dec. 11, 2014, accessed Dec. 15, 2014.

Watches Infoniac.com, "Hermes Carre H Watch—Extremely Contemporary Design," <<http://watches.infoniac.com/carre-h-watch-hermes.html>>, dated Aug. 13, 2010, accessed Dec. 18, 2014.

Watchismo, "Braun BN0042 Black Date Leather," <<http://web.archive.org/web/20130815073830/http://www.watchismo.com/braun-bn0042bkbk.aspx>>, dated Aug. 15, 2013, accessed Dec. 18, 2014.

* cited by examiner

Primary Examiner — Freda S Nunn

(74) *Attorney, Agent, or Firm* — Sterne, Kessler,
Goldstein & Fox P.L.L.C.

(57) **CLAIM**

The ornamental design for a display for electronic device, as shown and described.

DESCRIPTION

FIG. 1 is a front perspective view of a display for electronic device showing the claimed design;

FIG. 2 is a rear perspective view thereof;

FIG. 3 is a front view thereof;

FIG. 4 is a rear view thereof;

FIG. 5 is a left side view thereof;

FIG. 6 is a right side view thereof;

FIG. 7 is a top view thereof; and,

FIG. 8 is a bottom view thereof.

1 Claim, 6 Drawing Sheets

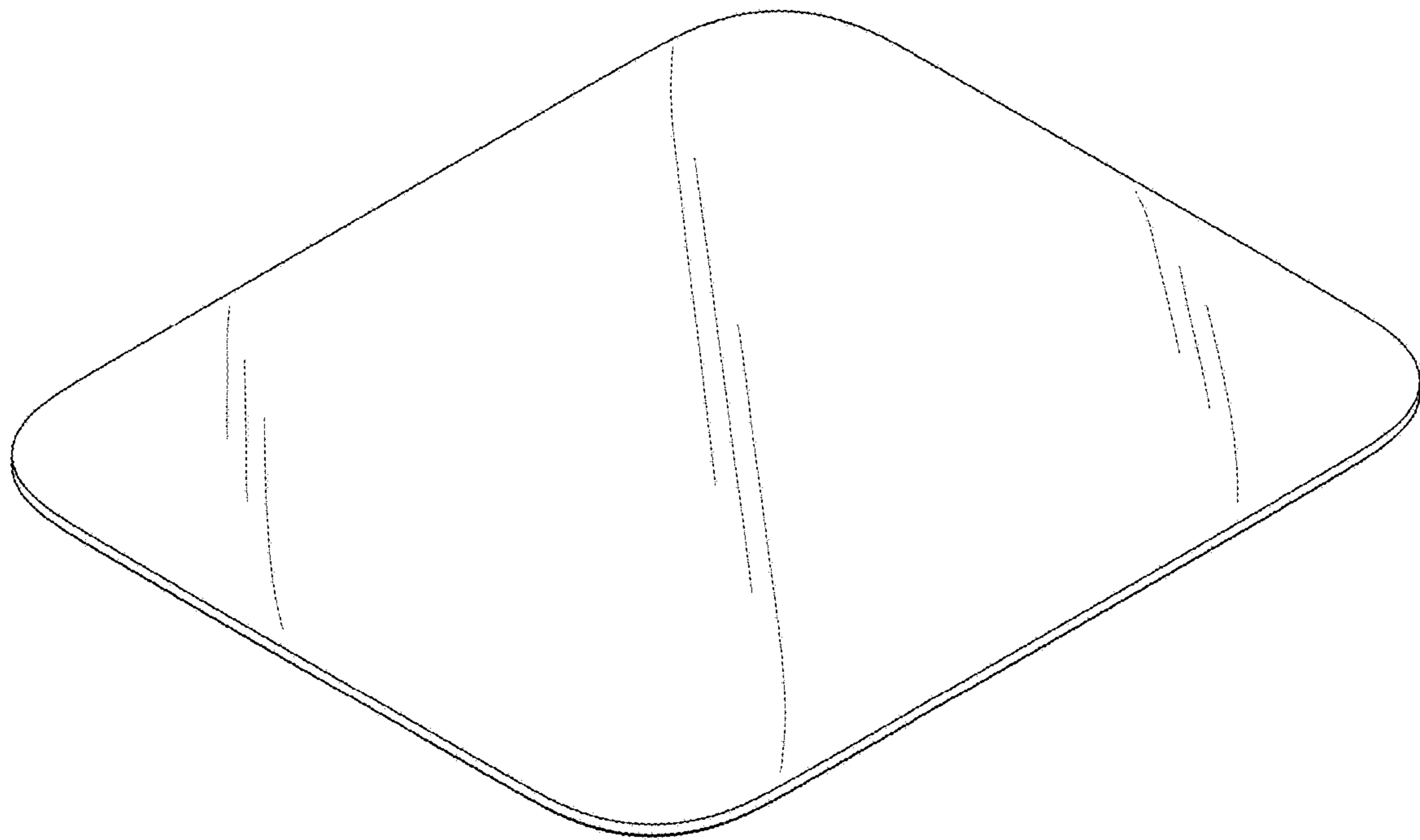


FIG. 1

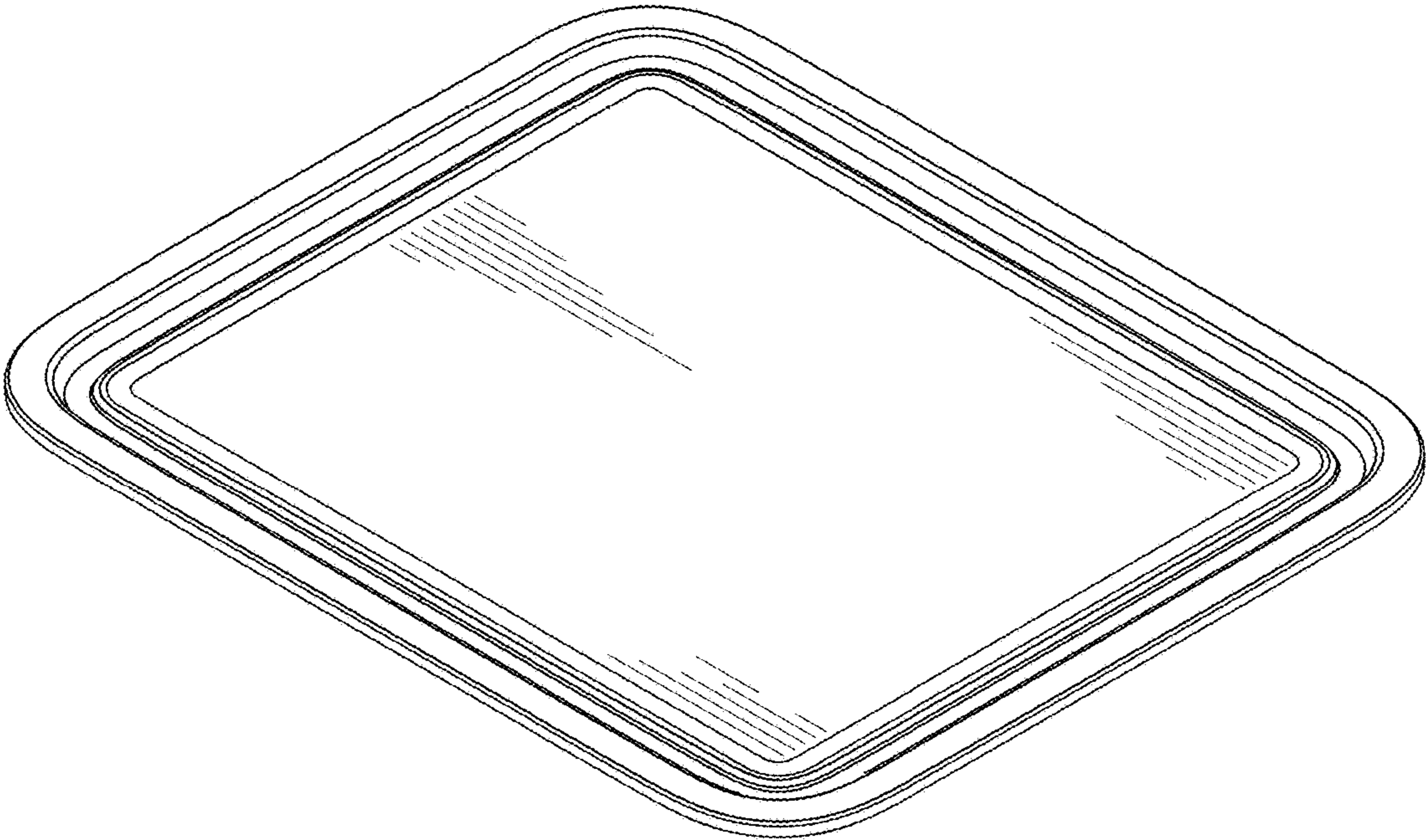


FIG. 2

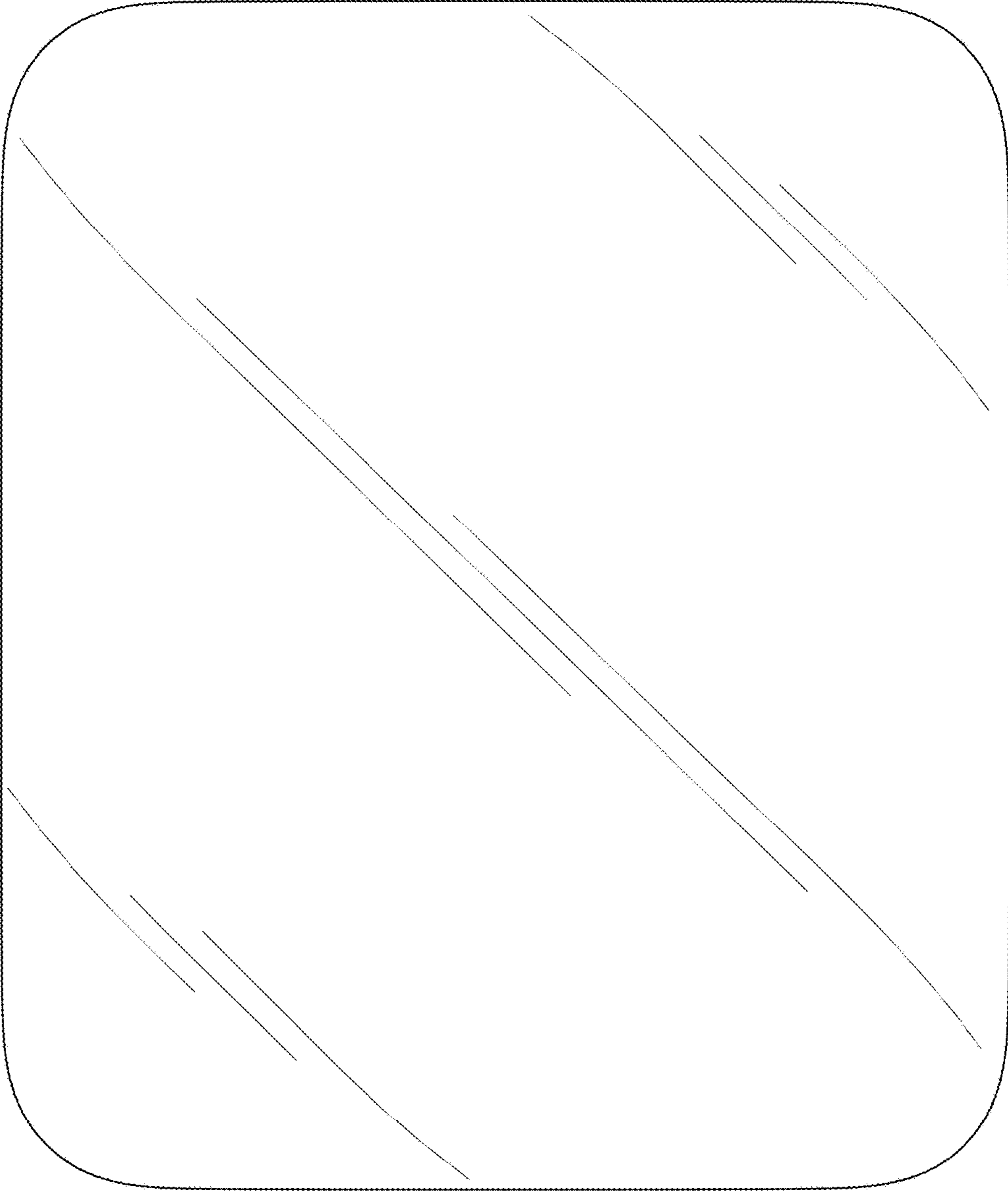


FIG. 3

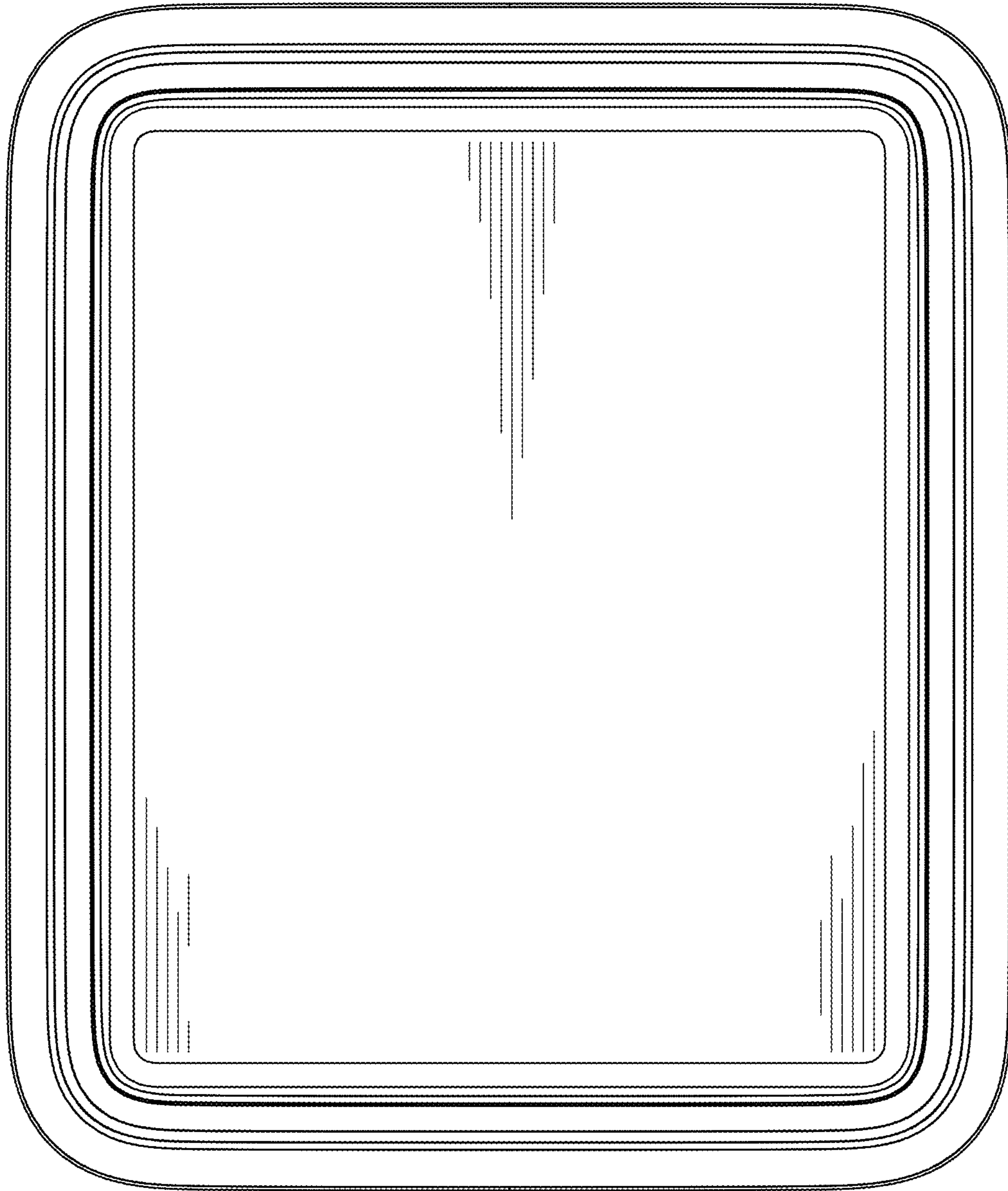


FIG. 4



FIG. 5

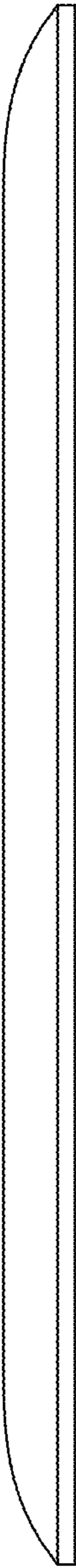


FIG. 6

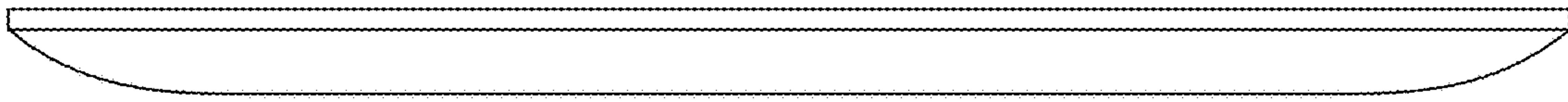


FIG. 7



FIG. 8