



US00D800724S

(12) **United States Design Patent**
Lammens

(10) **Patent No.:** **US D800,724 S**

(45) **Date of Patent:** **** Oct. 24, 2017**

(54) **DISPLAY UNIT**

(71) Applicant: **Albert L. J. Lammens**, Mongkok (HK)

(72) Inventor: **Albert L. J. Lammens**, Mongkok (HK)

(**) Term: **15 Years**

(21) Appl. No.: **29/565,950**

(22) Filed: **May 25, 2016**

(51) **LOC (10) Cl.** **14-02**

(52) **U.S. Cl.**

USPC **D14/371**

(58) **Field of Classification Search**

USPC D14/371-375, 125-129, 336, 337, 341,
D14/239; 341/12; 345/104, 156, 168,
345/173; 348/180, 184, 325, 739; 349/1,
349/2, 11, 62; 361/679.05-679.07,
361/679.21; D6/300, 308

CPC G06F 1/16; G06F 1/1601; G06F 3/037;
G06F 1/162; G06F 1/1613; G06F
1/133308; F16M 11/02; F16M 11/10;
F16M 11/00; F16M 11/06; F16M 11/18;
F16M 11/045; F16M 11/105; F16M
11/041; F16M 11/126; F16M 11/04;
F16M 13/02; F16M 11/24; A47F 5/00;
A47F 10/06; A47F 3/007; A47F 2010/065

See application file for complete search history.

(56) **References Cited**

U.S. PATENT DOCUMENTS

D377,429 S * 1/1997 Olson D6/699.5
5,731,571 A * 3/1998 Park H05B 6/6435
219/506

5,823,102 A * 10/1998 Will A47F 3/007
108/152
D424,068 S * 5/2000 Takemasa D14/126
D620,461 S * 7/2010 Han D14/126
D634,722 S * 3/2011 Kim D14/126
D678,274 S * 3/2013 Chiu D14/371
9,010,883 B2 * 4/2015 Scott A47F 10/06
312/137
D735,714 S * 8/2015 Sang D14/371
9,339,131 B1 * 5/2016 Christianson A47F 10/06

* cited by examiner

Primary Examiner — Freda S Nunn

(57) **CLAIM**

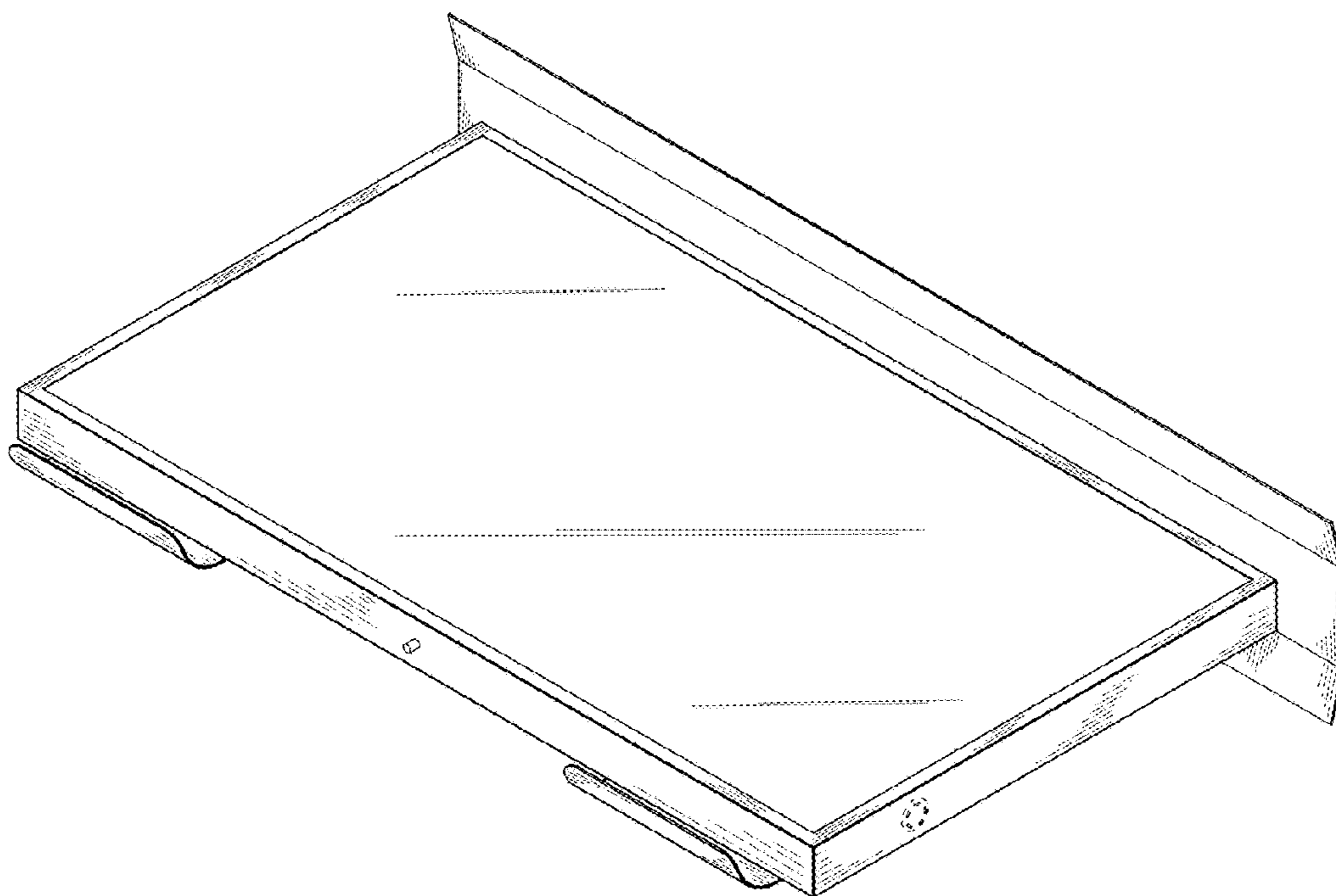
The ornamental design for a display unit, as shown and described.

DESCRIPTION

FIG. 1 is a bottom front perspective view of a display unit; FIG. 2 is a bottom rear perspective view of a display unit; FIG. 3 is a front elevational view thereof; FIG. 4 is a left elevational view thereof; FIG. 5 is a rear elevational view thereof; FIG. 6 is a right elevational view thereof; FIG. 7 is a top plan view thereof; and, FIG. 8 is a bottom plan view thereof.

Broken lines shown in the drawings represent environment only and form no part of the claimed design.

1 Claim, 8 Drawing Sheets



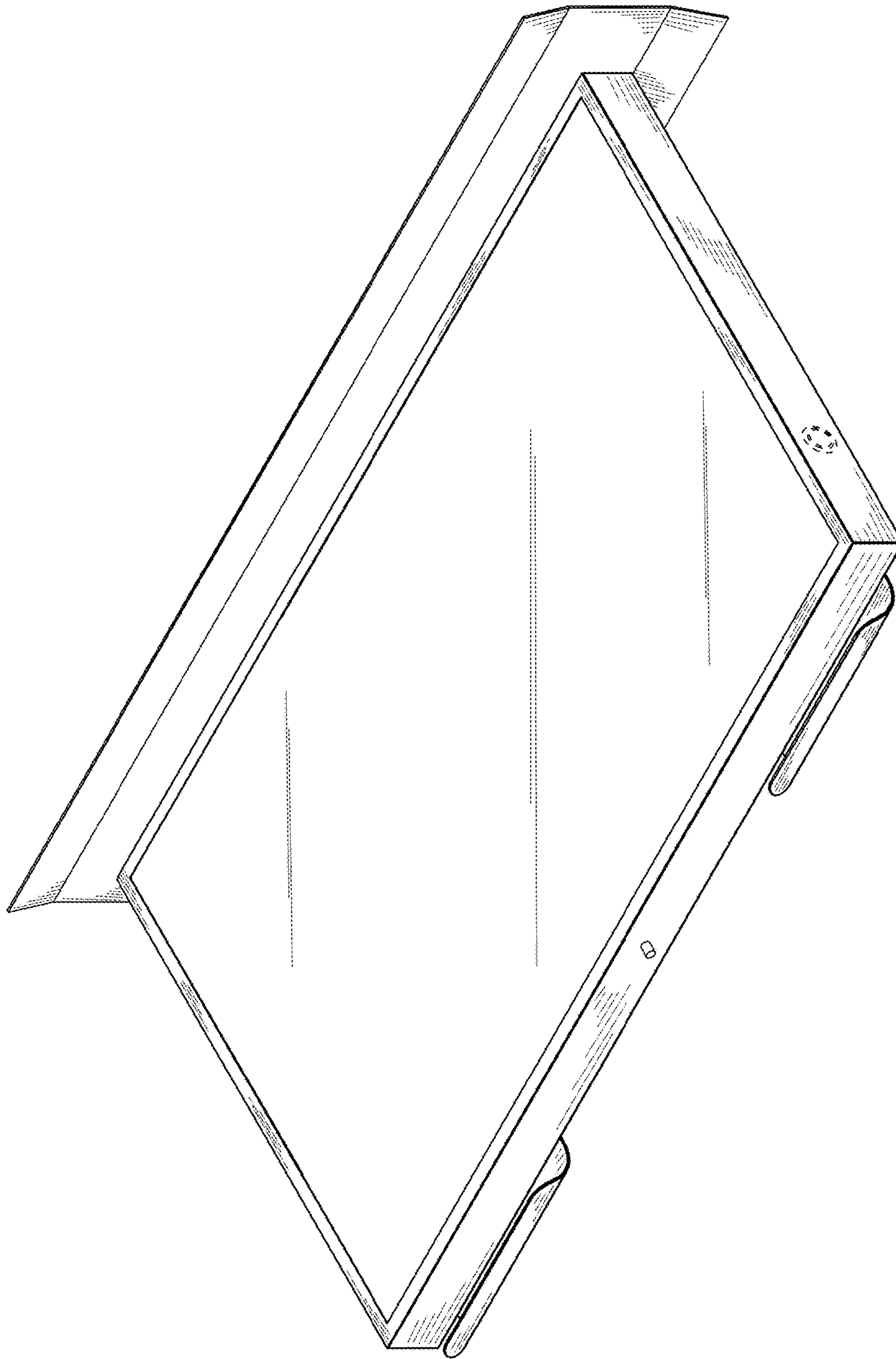


FIG. 1

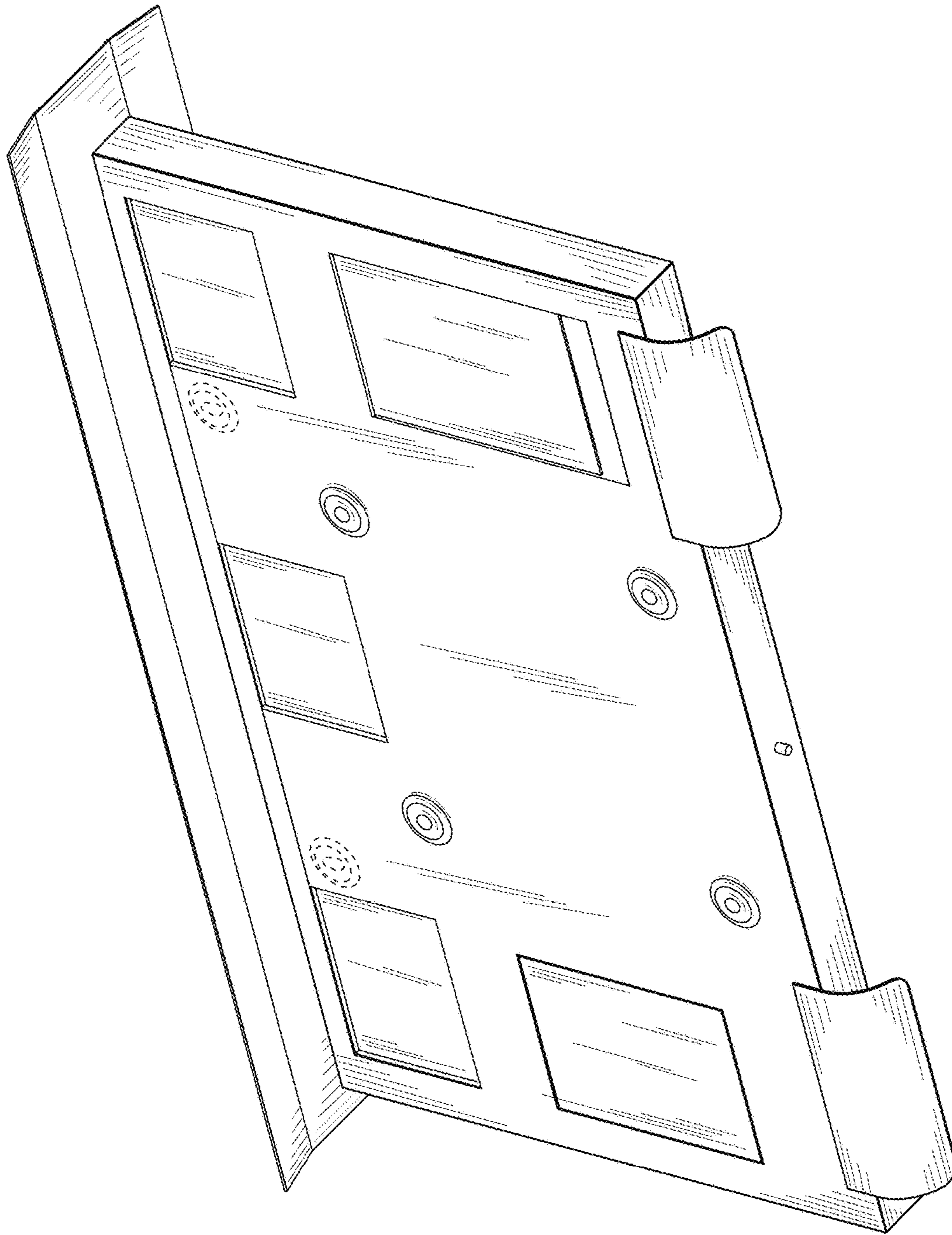


FIG. 2

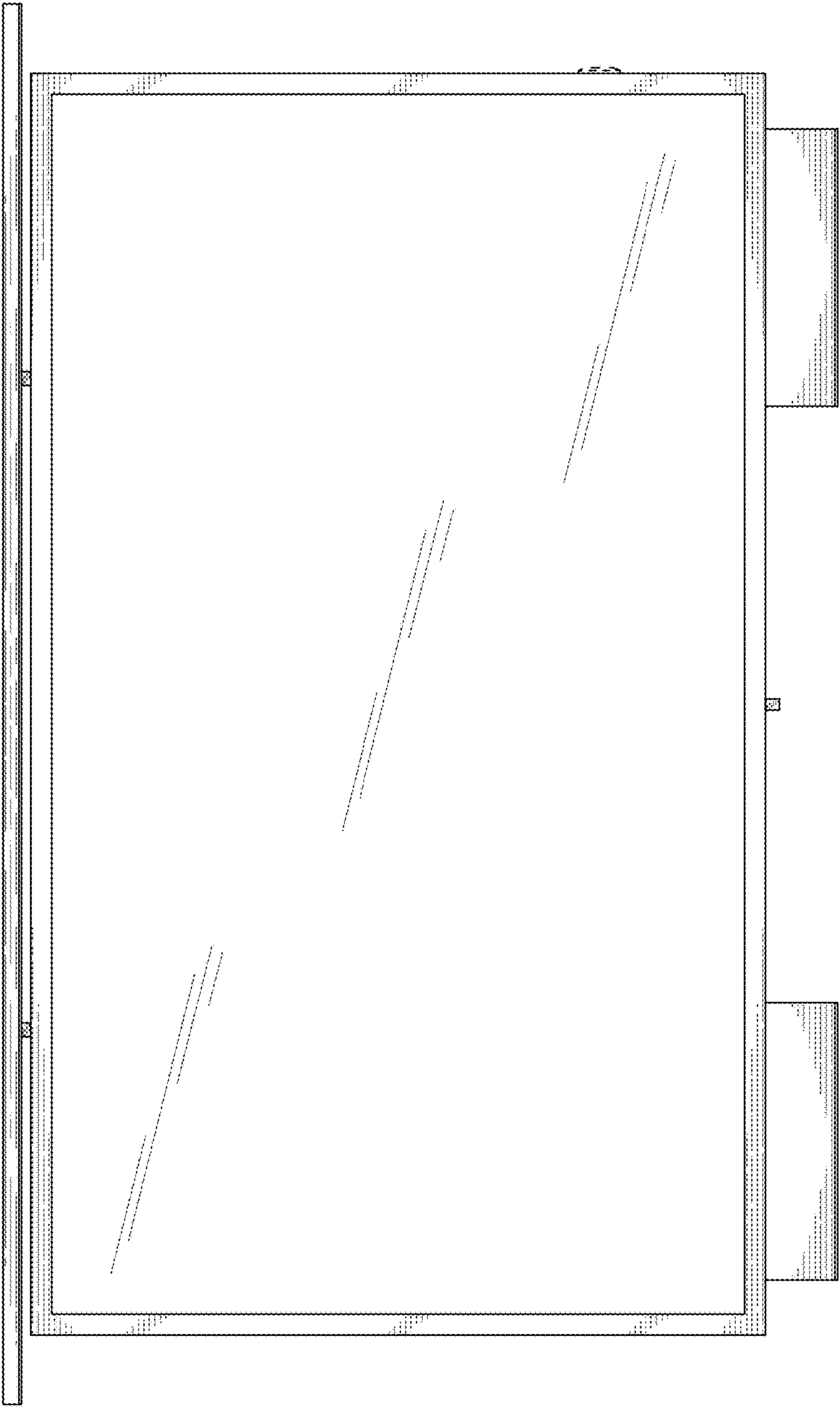


FIG. 3

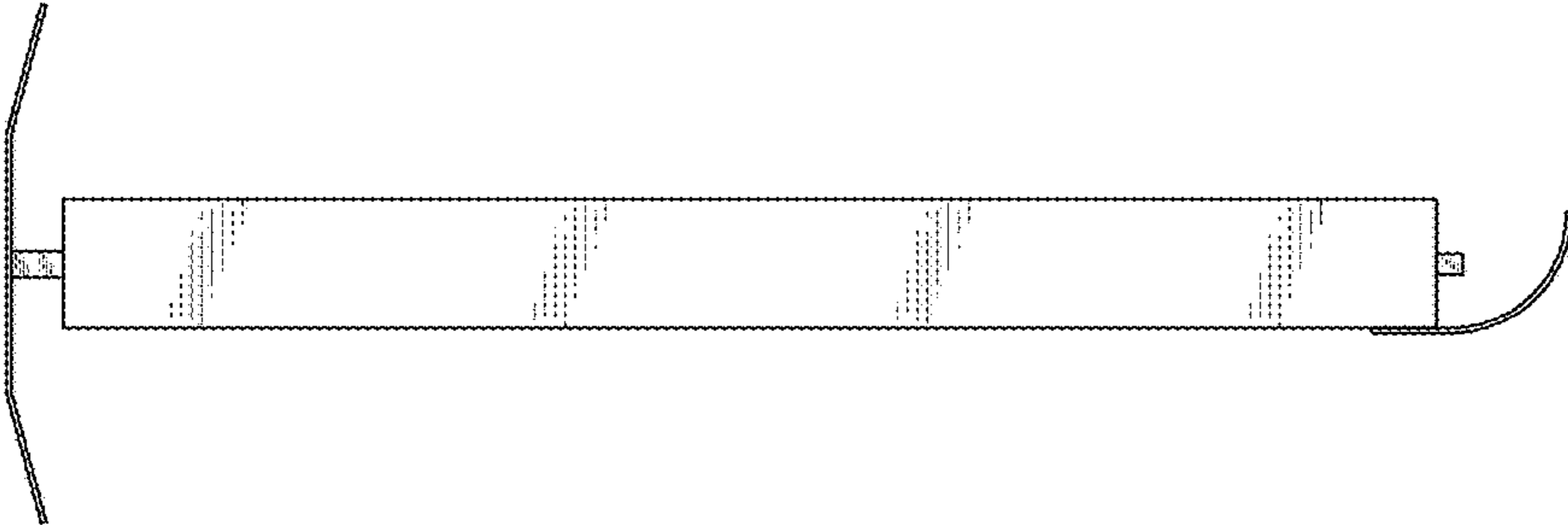


FIG. 4

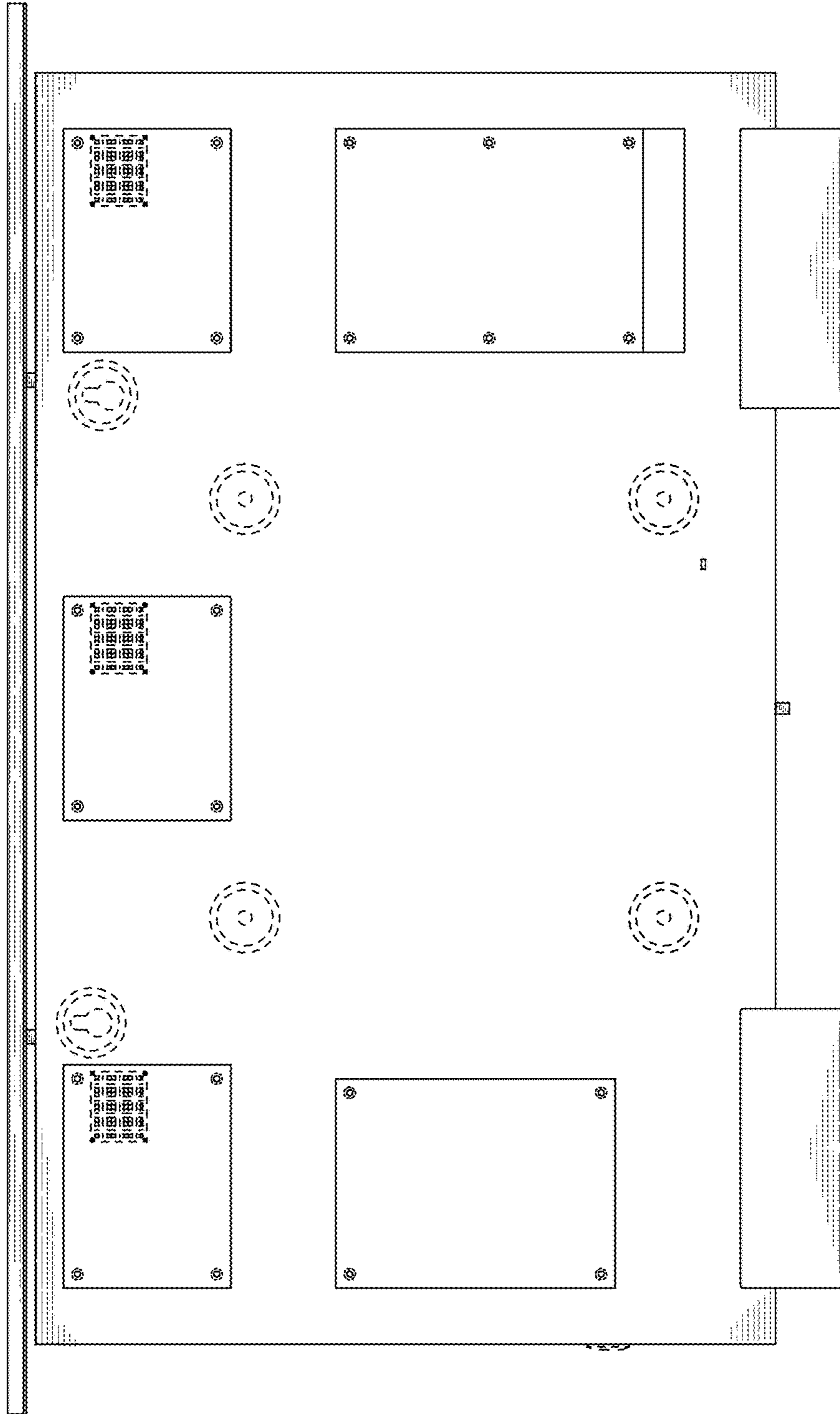


FIG. 5

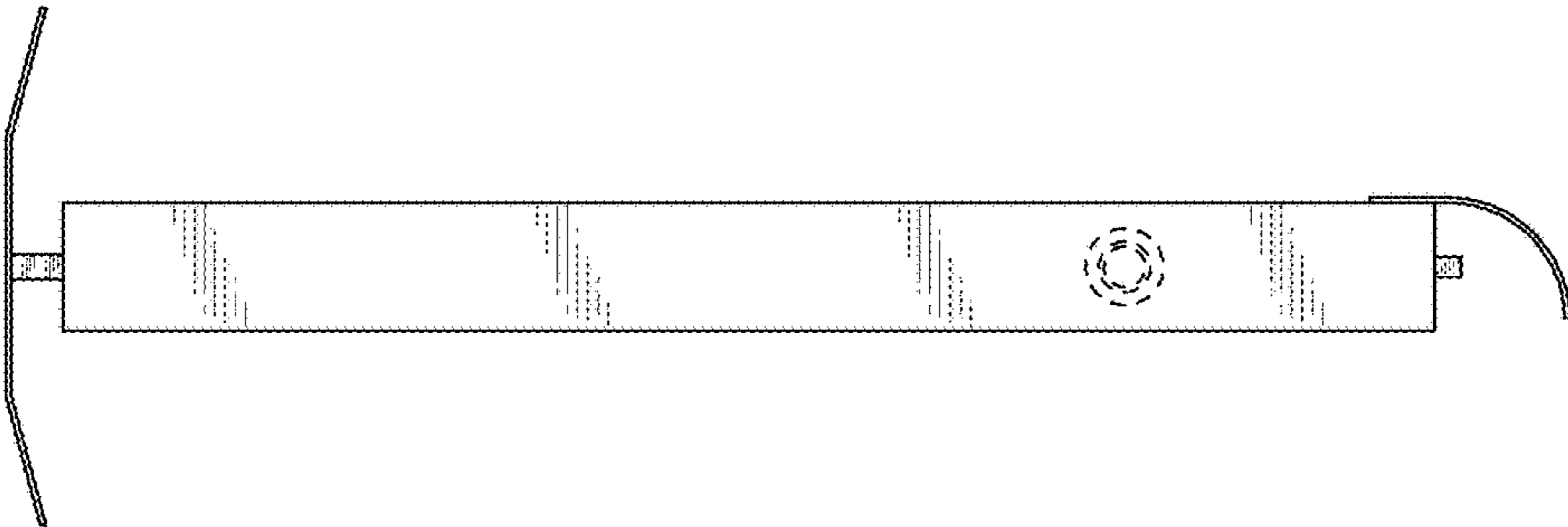


FIG. 6

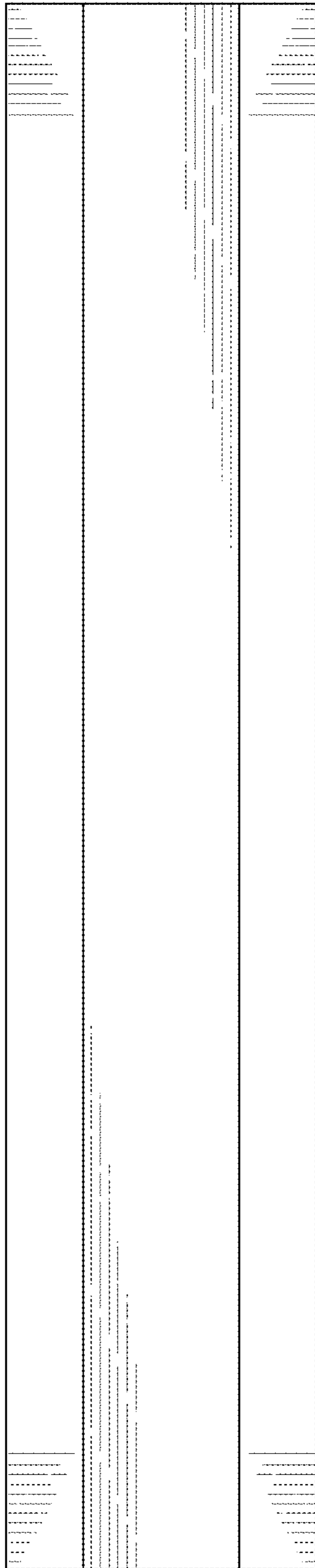


FIG. 7

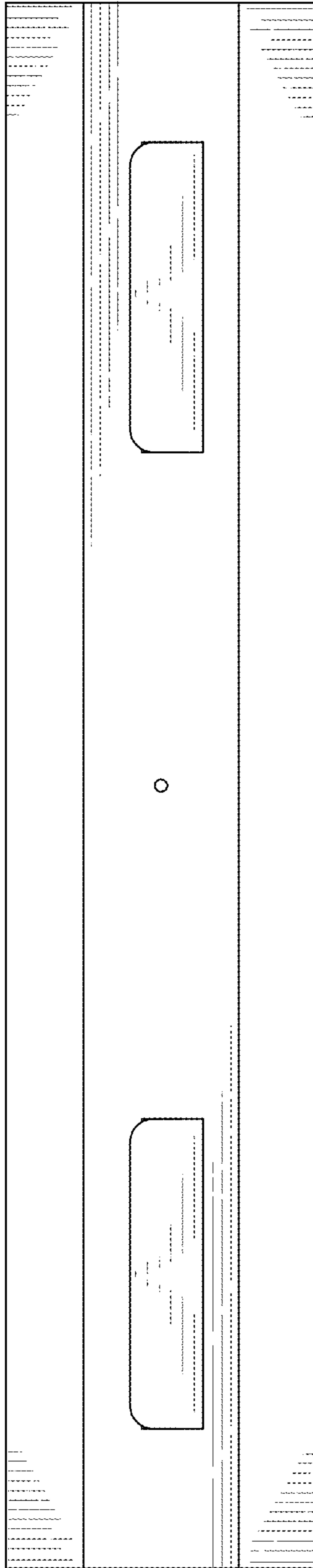


FIG. 8