



US00D800723S

(12) **United States Design Patent**
Fong et al.

(10) **Patent No.:** **US D800,723 S**

(45) **Date of Patent:** **** Oct. 24, 2017**

(54) **WIRELESS VOICE MEDIA GATEWAY**

(71) Applicant: **ARRIS Enterprises LLC**, Suwanee,
GA (US)

(72) Inventors: **Willie Yuen Fong**, San Francisco, CA
(US); **Tzu-Hsiang Lee**, Taoyuan (TW);
Stephen Alan Lawson, San Francisco,
CA (US); **Liang Hua Wu**, Taipei (TW)

(73) Assignee: **ARRIS Enterprises LLC**, Suwanee,
GA (US)

(**) Term: **15 Years**

(21) Appl. No.: **29/553,408**

(22) Filed: **Feb. 1, 2016**

(51) **LOC (10) Cl.** **14-02**

(52) **U.S. Cl.**
USPC **D14/358**

(58) **Field of Classification Search**
USPC D14/125, 138 C, 138 R, 140.1, 155, 159,
D14/167, 230, 231, 232, 233, 234, 235,
D14/236, 237, 238, 240, 242, 243, 299,
D14/348, 349, 351, 353, 354, 355, 356,
D14/357, 358, 367, 385, 433, 435, 436,
D14/474, 480, 496; D13/123, 184;
D10/75, 104.1

See application file for complete search history.

(56) **References Cited**

U.S. PATENT DOCUMENTS

D464,044 S * 10/2002 Wang D14/240
D485,830 S * 1/2004 Chen D14/240

D512,050 S * 11/2005 Verding D14/240
D613,727 S * 4/2010 Xie D14/240
D629,398 S * 12/2010 Chang D14/240
D702,218 S * 4/2014 Wu D14/242
D736,193 S * 8/2015 Kwak D14/240
D768,130 S * 10/2016 Bonini D14/358

* cited by examiner

Primary Examiner — Robert M Spear

Assistant Examiner — John Voytek

(74) *Attorney, Agent, or Firm* — Bart A. Perkins

(57) **CLAIM**

The ornamental design for a wireless voice media gateway,
as shown and described.

DESCRIPTION

FIG. 1 is a front perspective view of the wireless voice
media gateway.

FIG. 2 is a rear perspective view of the wireless voice media
gateway.

FIG. 3 is a front elevation view of the wireless voice media
gateway.

FIG. 4 is a rear elevation view of the wireless voice media
gateway.

FIG. 5 is a top view of the wireless voice media gateway.

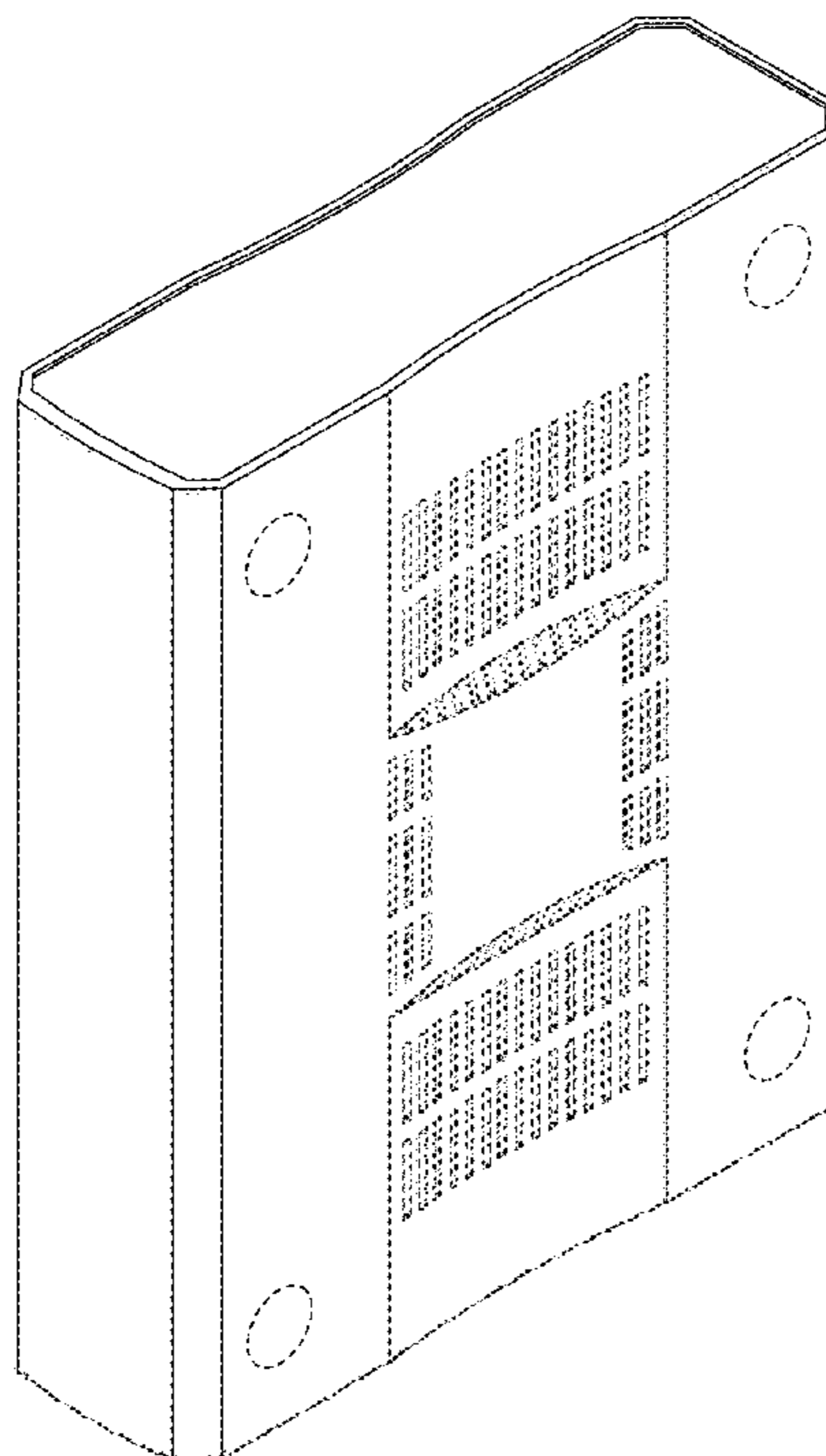
FIG. 6 is a bottom view of the wireless voice media gateway.

FIG. 7 is a left side elevation view of the wireless voice
media gateway; and,

FIG. 8 is a right side elevation view of the wireless voice
media gateway.

In the drawings, the broken lines depict environmental
subject matter only and form no part of the claimed design.

1 Claim, 8 Drawing Sheets



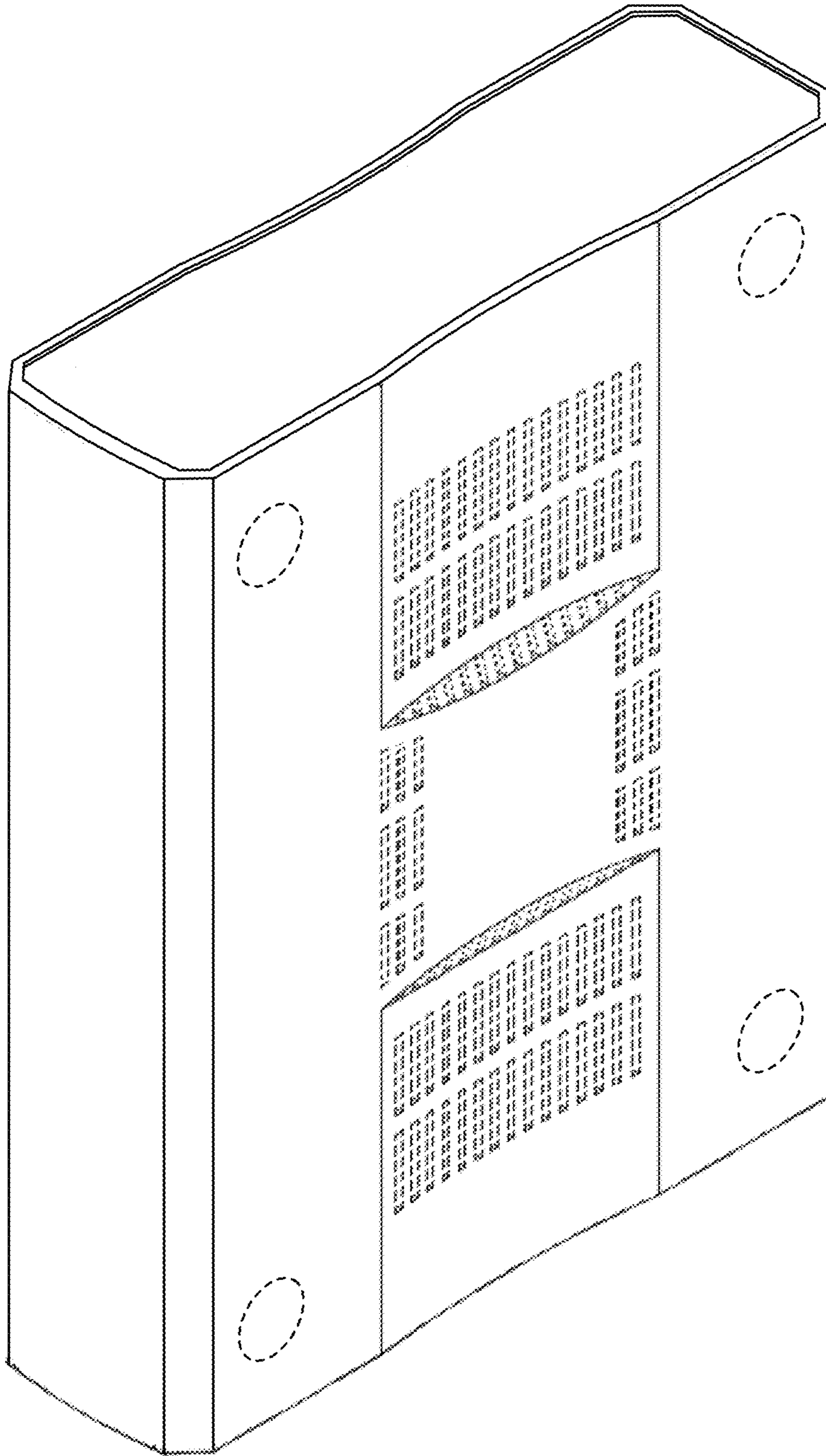


FIG. 1

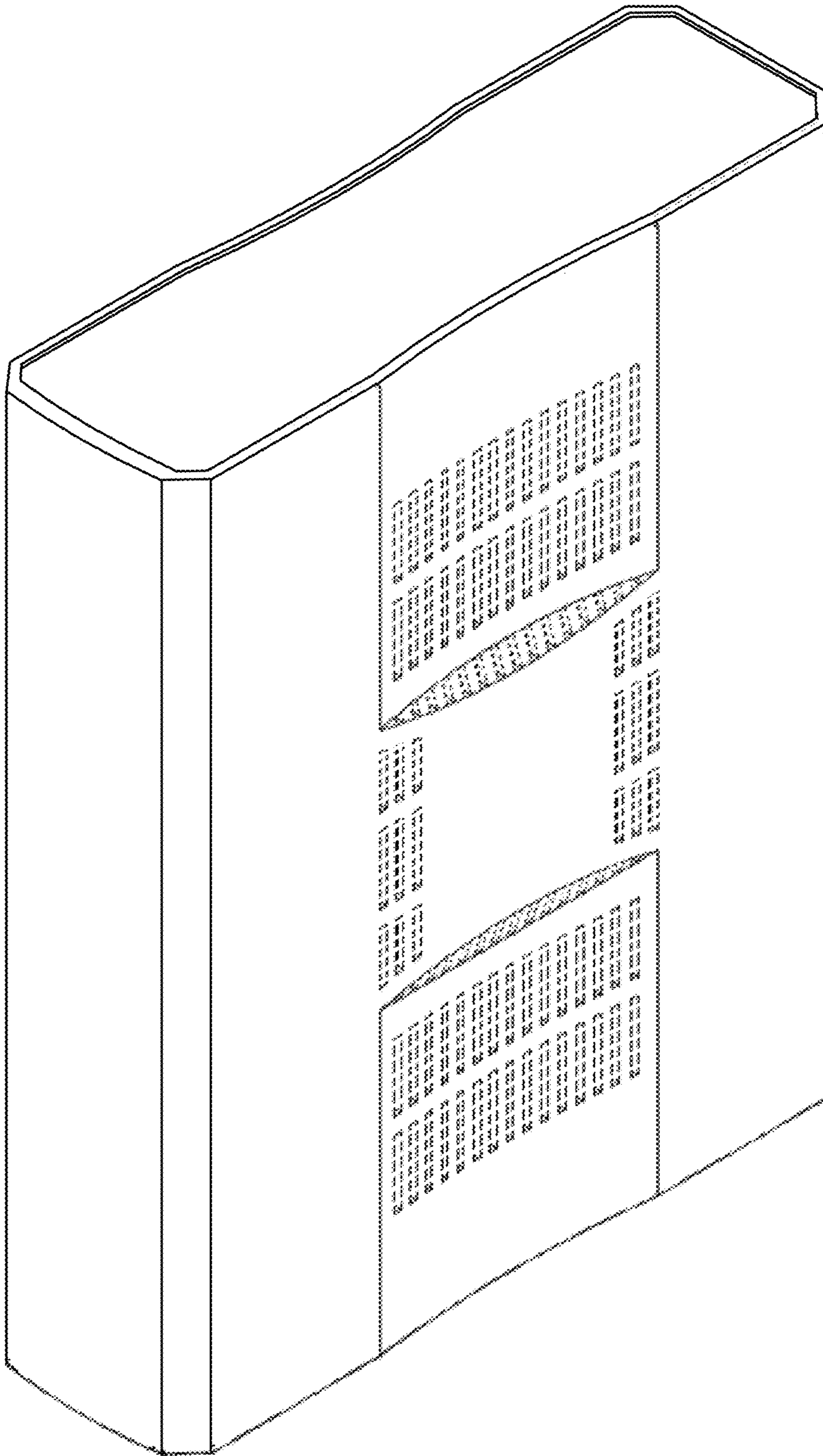


FIG. 2

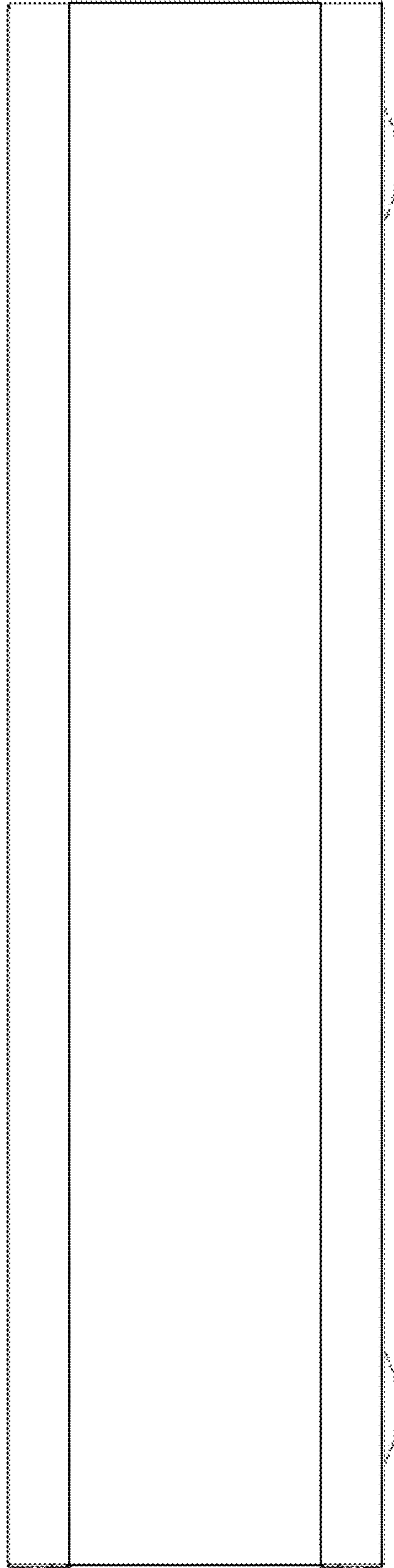


FIG. 3

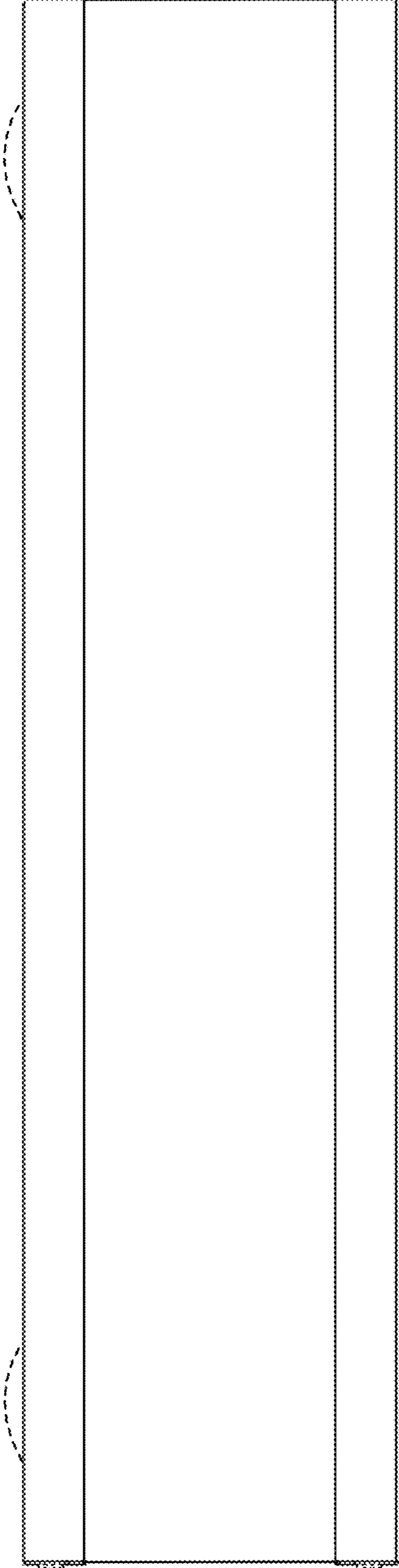


FIG. 4

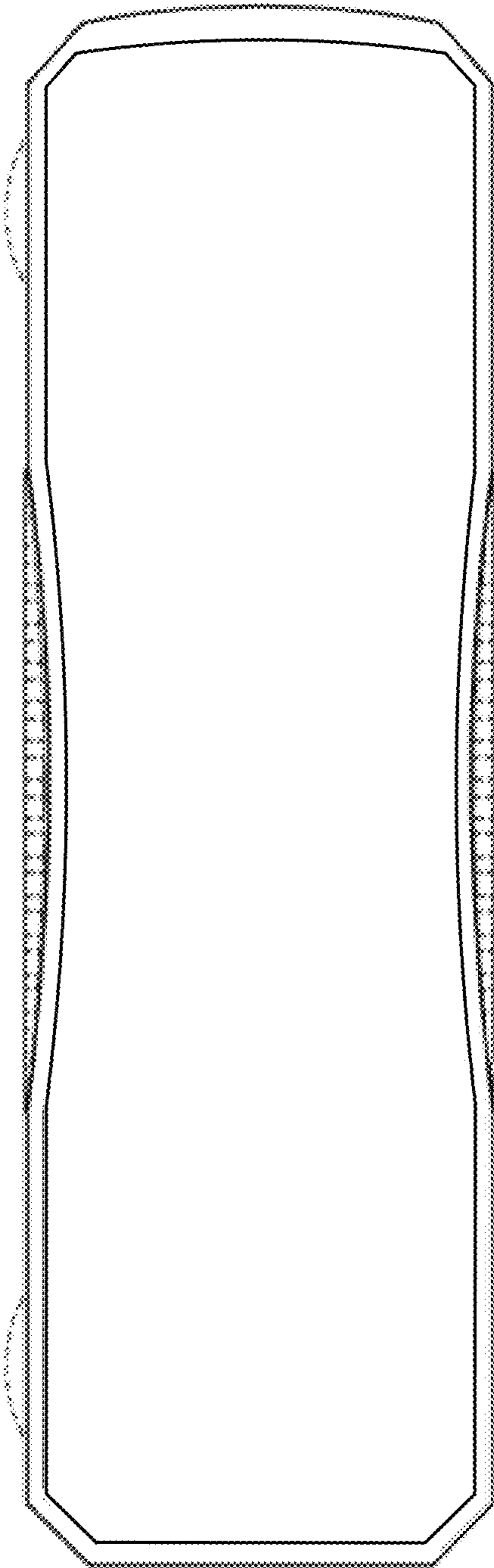


FIG. 5

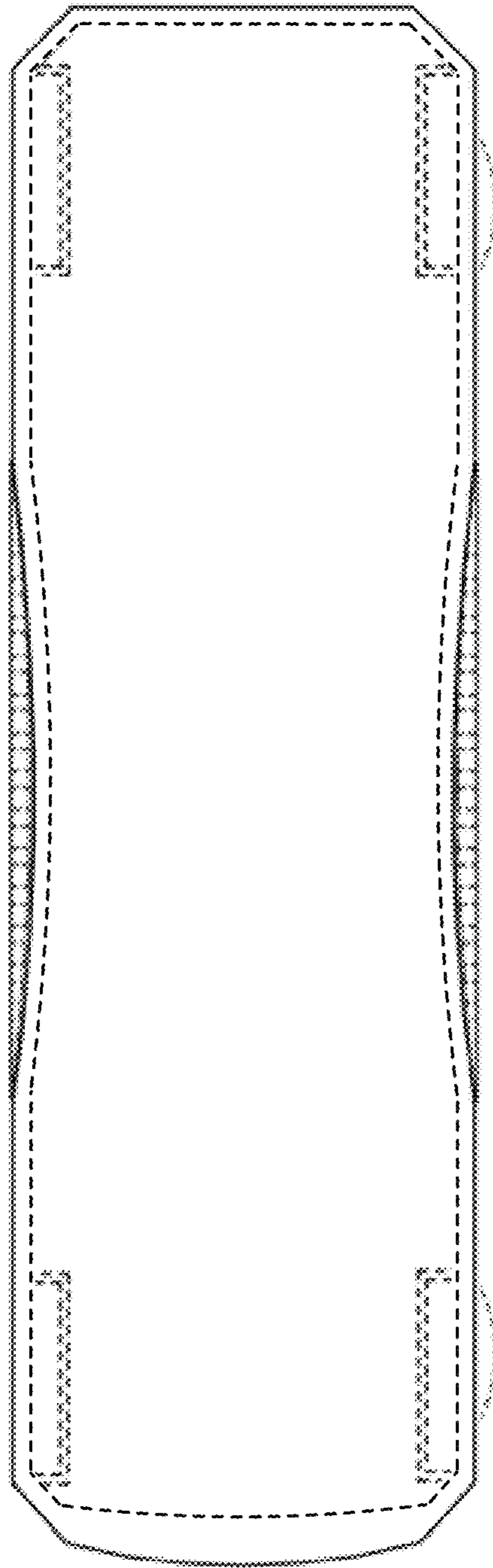


FIG. 6

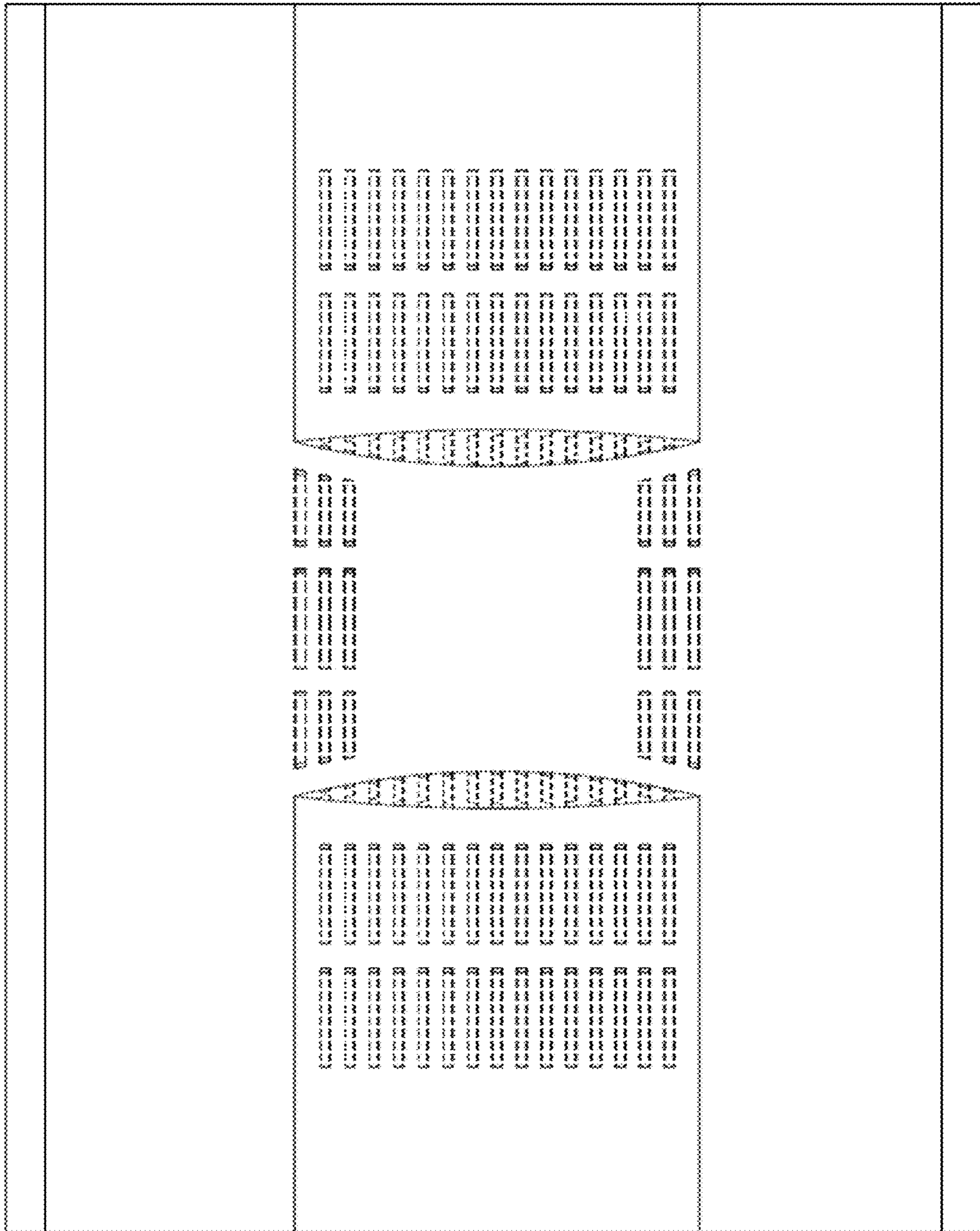


FIG. 7

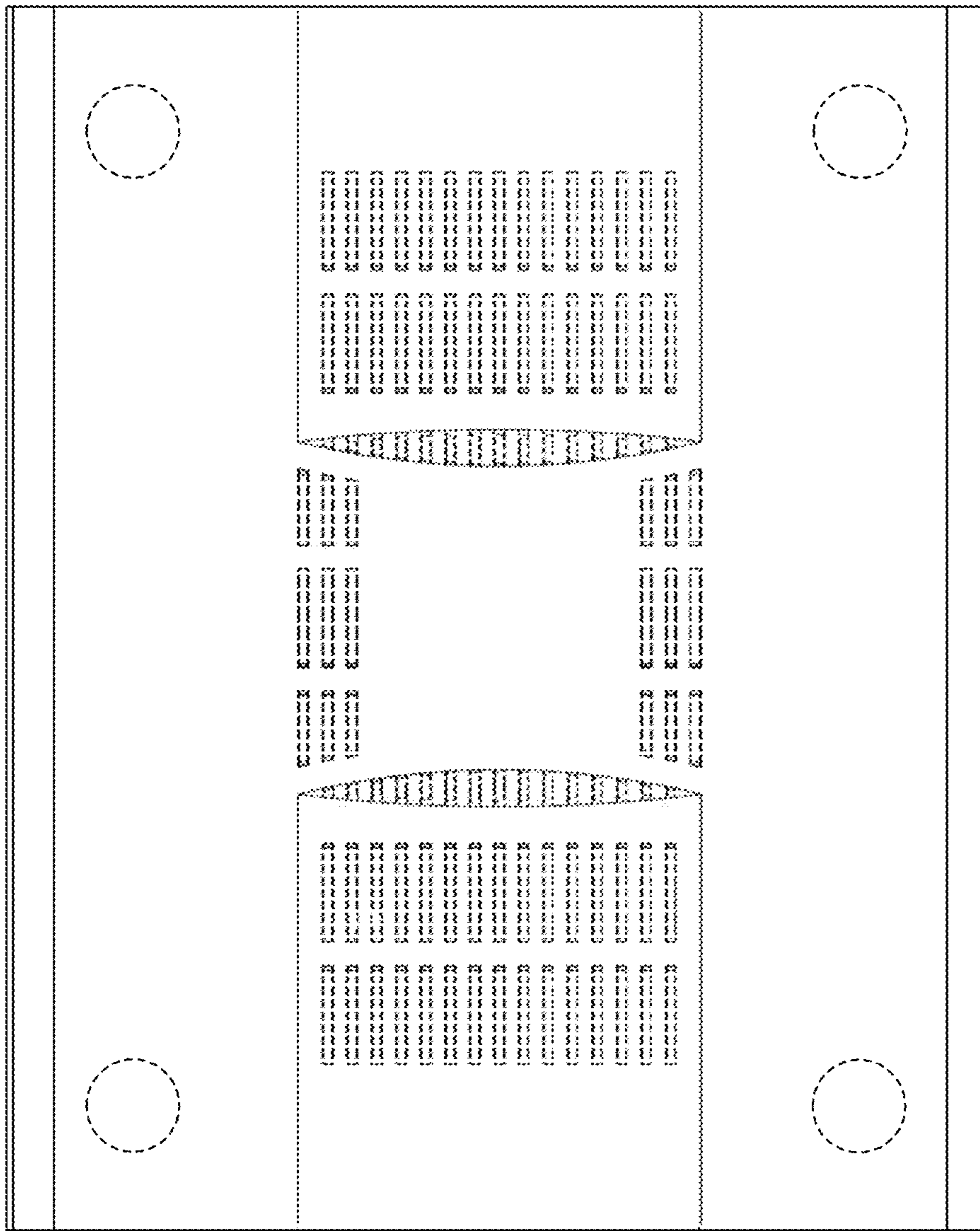


FIG. 8