



US00D800721S

(12) **United States Design Patent**  
**Kim et al.**

(10) **Patent No.:** **US D800,721 S**  
(45) **Date of Patent:** **\*\* Oct. 24, 2017**

(54) **WEARABLE ELECTRONIC DEVICE**

FOREIGN PATENT DOCUMENTS

(71) Applicant: **SAMSUNG ELECTRONICS CO., LTD.**, Suwon-si (KR)

EM 002293274-0001 8/2013  
EM 002448258-0003 4/2014

(Continued)

(72) Inventors: **Myung-Kyu Kim**, Seoul (KR);  
**Yong-Seok Bang**, Yongin-si (KR)

OTHER PUBLICATIONS

(73) Assignee: **SAMSUNG ELECTRONICS CO., LTD.**, Gyeonggi-Do (KR)

Unboxing, Samsung Charm, posted May 12, 2016, [retrieved Mar. 18, 2017]. Retrieved from Internet, <URL: <http://underkg.co.kr/unboxing/1334189>>.\*

(\*\*) Term: **15 Years**

(Continued)

(21) Appl. No.: **29/558,320**

*Primary Examiner* — Barbara Fox

(22) Filed: **Mar. 16, 2016**

*Assistant Examiner* — Kristin E Reed

(30) **Foreign Application Priority Data**

(74) *Attorney, Agent, or Firm* — Cantor Colburn LLP

Nov. 27, 2015 (KR) ..... 30-2015-0060249

(51) **LOC (10) Cl.** ..... **14-02**

(57) **CLAIM**

(52) **U.S. Cl.**

The ornamental design for a wearable electronic device, as shown and described.

USPC ..... **D14/344**

(58) **Field of Classification Search**

USPC ..... D2/623, 626, 639, 878; D8/88, 356;  
D10/30-39, 70, 98; D11/3, 87, 93-94,  
D11/200, 201, 210, 216, 218, 221,  
D11/230-231; D24/167, 169, 186-187  
CPC ..... G06F 1/163; G06F 1/1628; G06F 1/1626;  
G06F 1/1635; G06F 1/08; G06F 1/10;  
G06F 1/04; G06F 1/14; G06F 1/3203;  
A41D 1/002; H04M 1/02; H04M 1/03;  
H04M 1/04; H04M 1/05; H04M 1/667;  
Y02B 60/1217; H04B 1/385; H04B  
1/3888; G06Q 20/10; G06Q 20/108;  
G06Q 20/12; G06Q 20/145

See application file for complete search history.

**DESCRIPTION**

FIG. 1 is a front perspective view of a wearable electronic device, showing our design;  
FIG. 2 is a front view thereof;  
FIG. 3 is a rear view thereof;  
FIG. 4 is a left side view thereof;  
FIG. 5 is a right side view thereof;  
FIG. 6 is a top view thereof;  
FIG. 7 is a bottom view thereof;  
FIG. 8 is a bottom perspective view thereof;  
FIG. 9 is another perspective view thereof as shown in a band environment; and,  
FIG. 10 is another perspective view thereof as shown in a ring environment.

The broken lines illustrating portions of the wearable electronic device form no part of the claimed design.

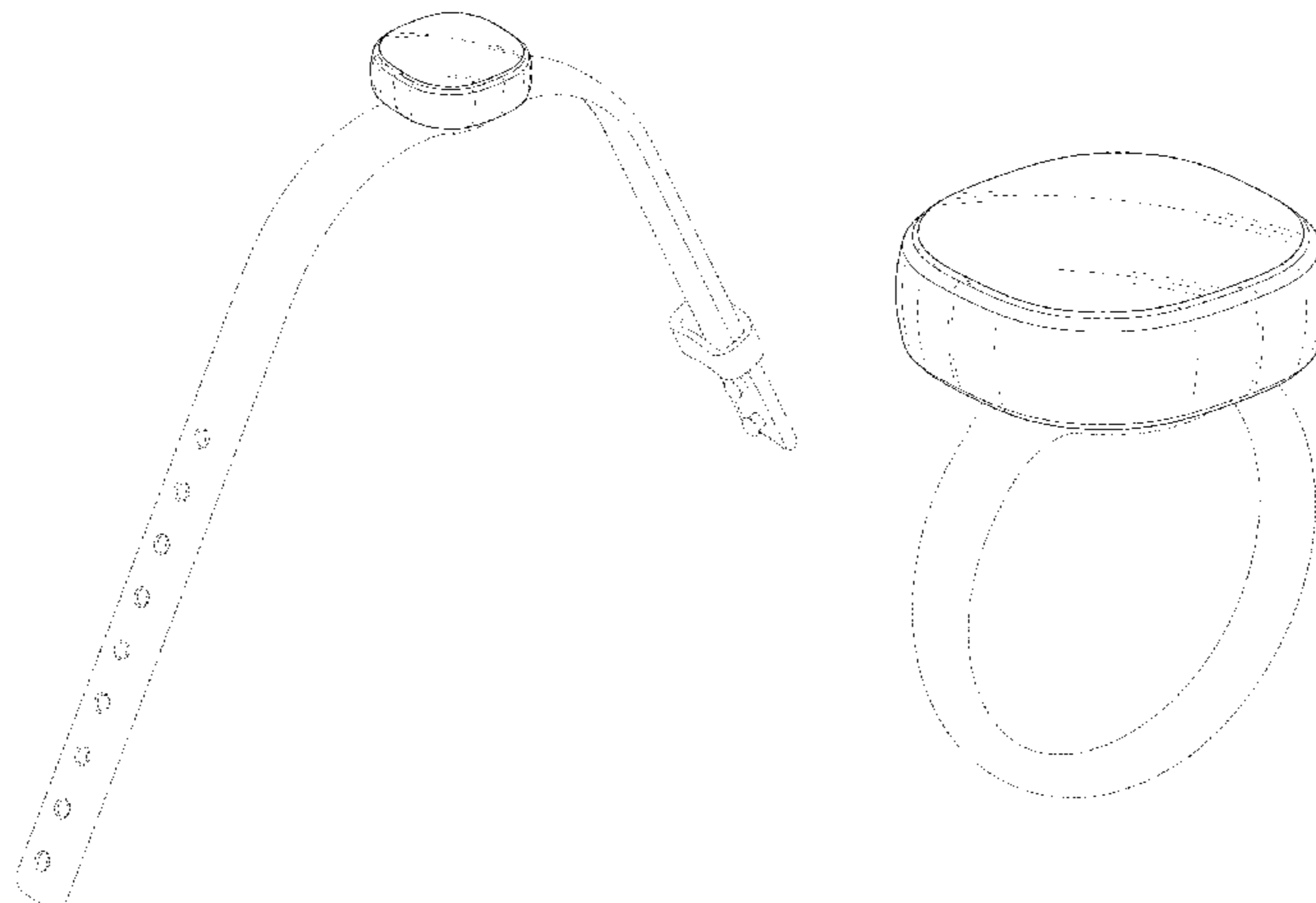
(56) **References Cited**

U.S. PATENT DOCUMENTS

D342,911 S \* 1/1994 Ueda ..... D10/98  
D531,157 S \* 10/2006 Lheem ..... D14/138 AB  
D555,019 S \* 11/2007 Au Yeung ..... D10/70

(Continued)

**1 Claim, 8 Drawing Sheets**



(56)

References Cited

U.S. PATENT DOCUMENTS

D559,987 S \* 1/2008 Strother ..... D24/187  
 D577,713 S \* 9/2008 Kim ..... D14/218  
 D584,176 S \* 1/2009 Maruyama ..... D10/70  
 D602,915 S \* 10/2009 Song ..... D14/218  
 D614,979 S \* 5/2010 McNames ..... D10/65  
 D624,541 S \* 9/2010 Kemery ..... D14/240  
 D625,721 S \* 10/2010 Ferber ..... D14/358  
 D637,097 S \* 5/2011 Tseng ..... D10/70  
 D648,298 S \* 11/2011 Pierce ..... D14/138 G  
 D659,567 S \* 5/2012 Stevens ..... D10/65  
 D665,680 S \* 8/2012 Shigeno ..... D10/70  
 D693,249 S \* 11/2013 Anderssen ..... D10/65  
 D693,250 S \* 11/2013 Anderssen ..... D10/65  
 D693,709 S \* 11/2013 Lee ..... D10/65  
 D705,680 S \* 5/2014 Wiercinski ..... D10/74  
 D715,667 S \* 10/2014 Shigeno ..... D10/70  
 D724,970 S \* 3/2015 Hasegawa ..... D10/65  
 D724,972 S \* 3/2015 Shigeno ..... D10/70  
 D730,223 S \* 5/2015 Behar ..... D10/103  
 D733,596 S \* 7/2015 Goodner ..... D10/70  
 D749,570 S \* 2/2016 Lee ..... D14/344  
 D754,110 S \* 4/2016 Jung ..... D14/240

D763,107 S \* 8/2016 Nielsen ..... D10/30  
 D766,218 S \* 9/2016 Yang ..... D14/218  
 D766,767 S \* 9/2016 Bowman ..... D10/128  
 D770,625 S \* 11/2016 Aytakin ..... D24/167  
 D774,023 S \* 12/2016 Fariello ..... D14/230  
 D778,185 S \* 2/2017 Ookawa ..... D10/104.1

FOREIGN PATENT DOCUMENTS

EM 002465245-0001 5/2014  
 EM 002481648-0004 6/2014

OTHER PUBLICATIONS

Smart cufflinks and smart rings are now a thing thanks to Samsung, posted Jan. 6, 2016, [retrieved Mar. 18, 2017]. Retrieved from Internet, <URL: <http://www.digitalspy.com/tech/wearables/news/a779076/smart-cufflinks-and-smart-rings-are-now-a-thing-thanks-to-samsung/>>.\*  
 Hands-on review: Samsung Charm, posted Jan. 8, 2016, [retrieved Mar. 18, 2017]. Retrieved from Internet, <URL: <http://www.mcrecycle.com/blog/?p=177121>>.\*

\* cited by examiner

FIG. 1

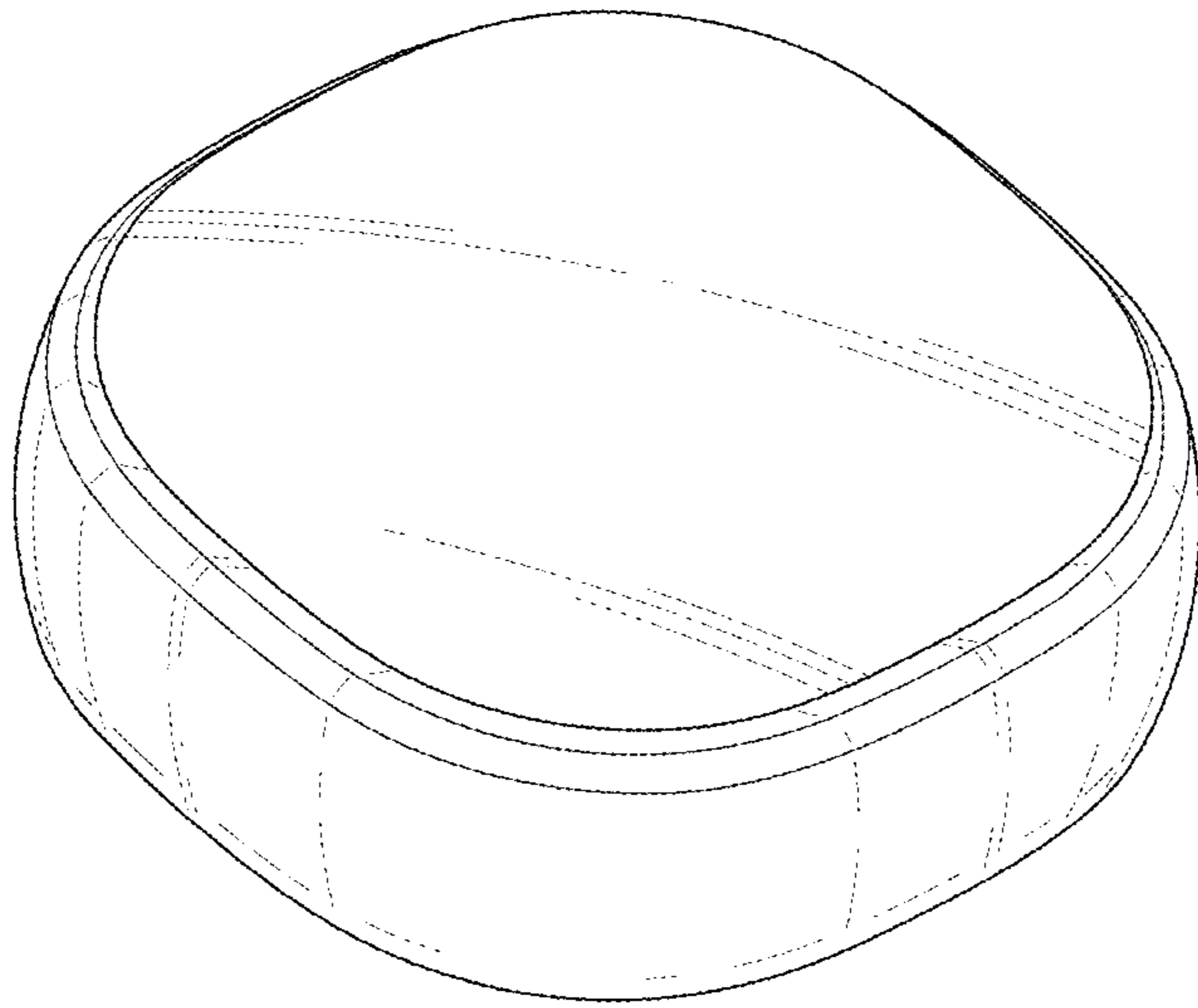


FIG. 2

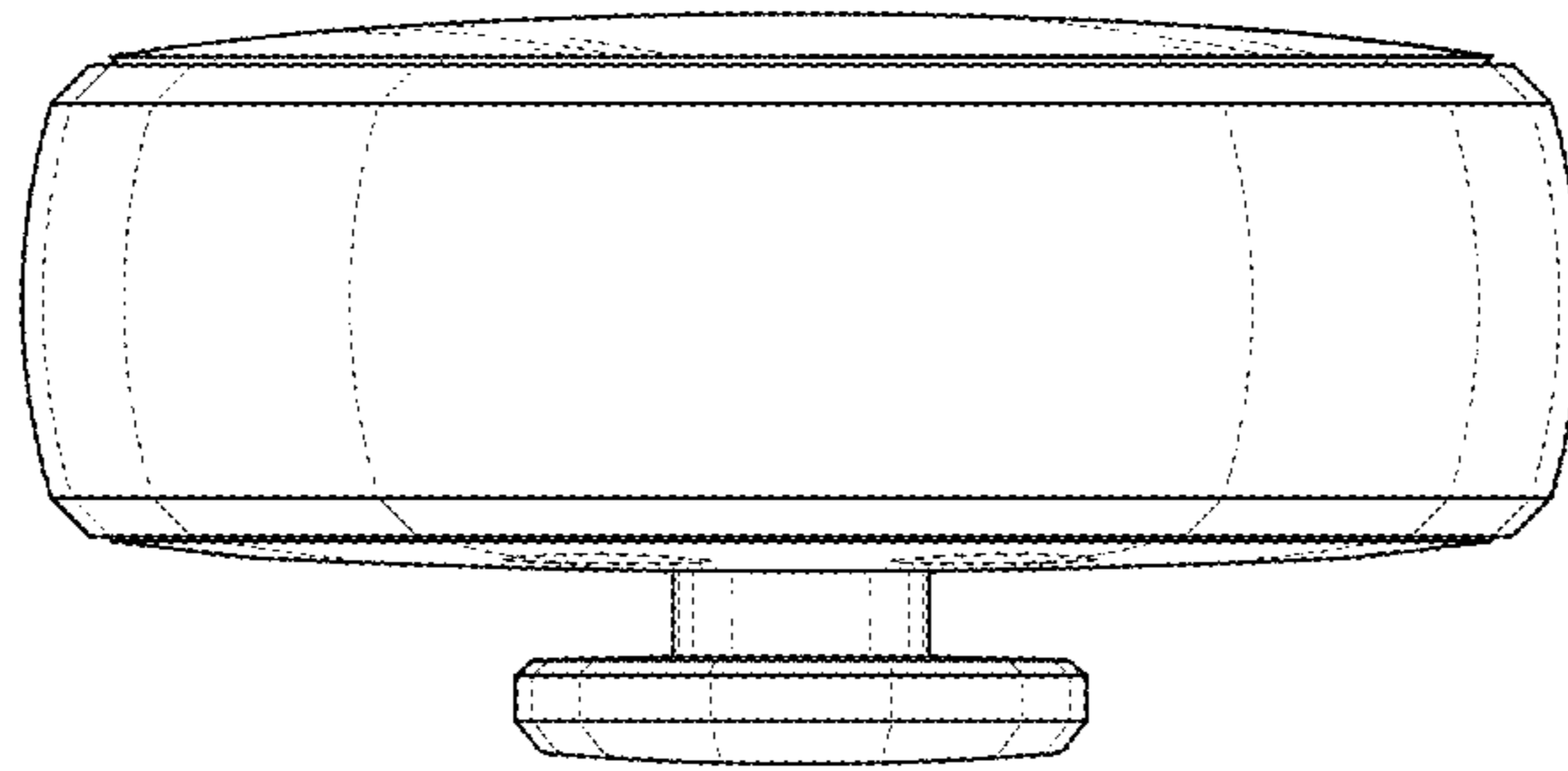


FIG. 3

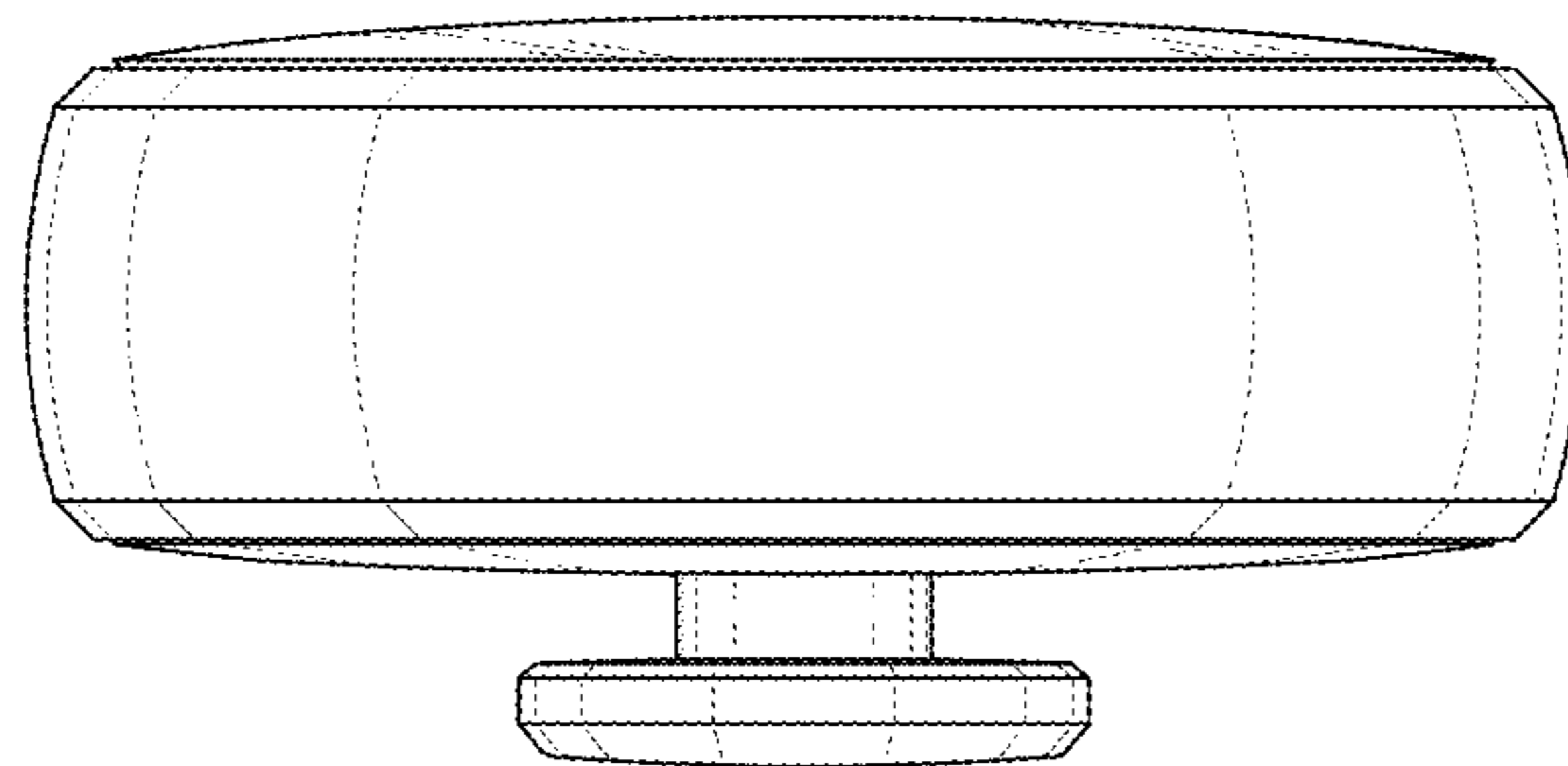


FIG. 4

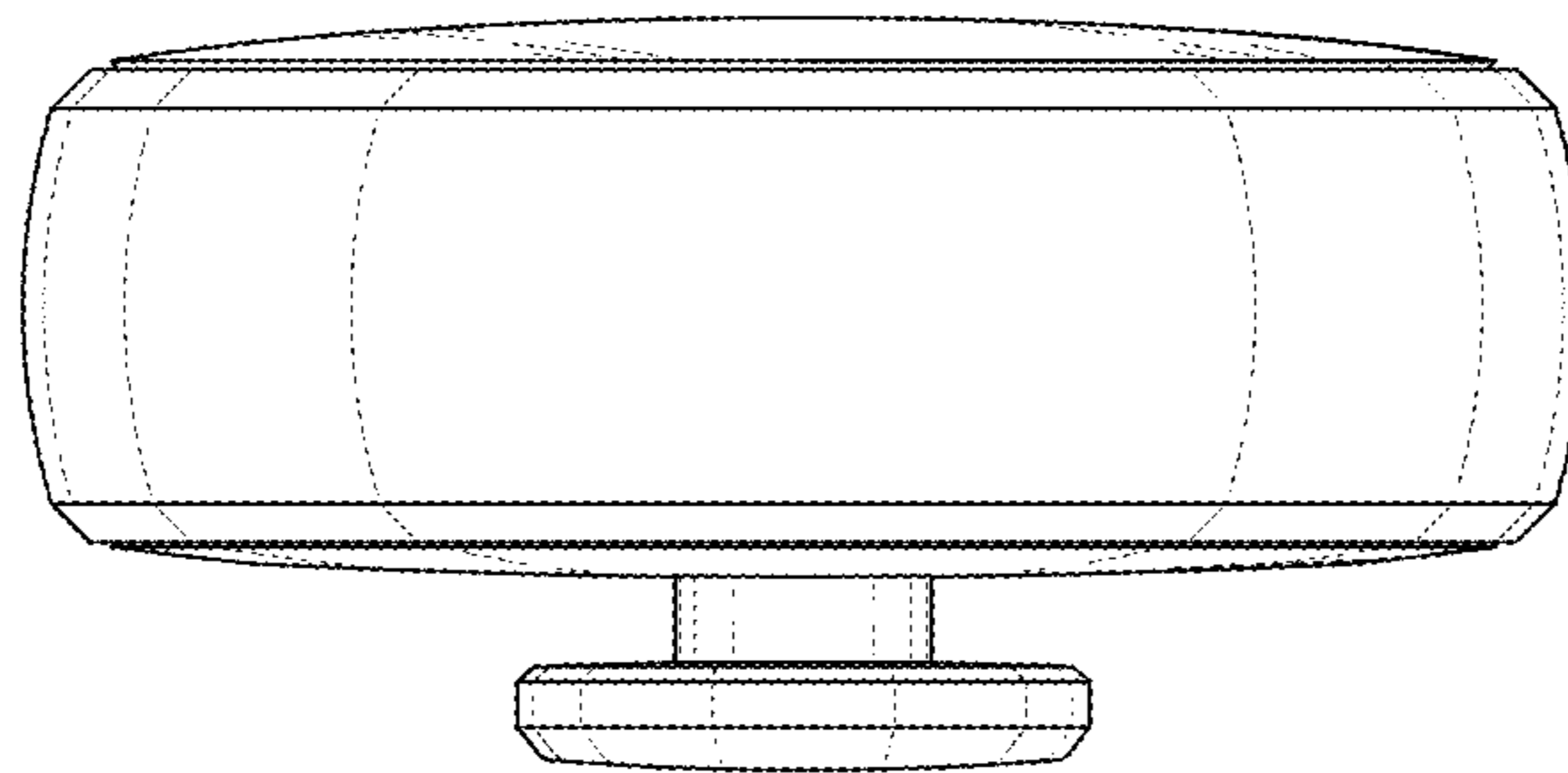


FIG. 5

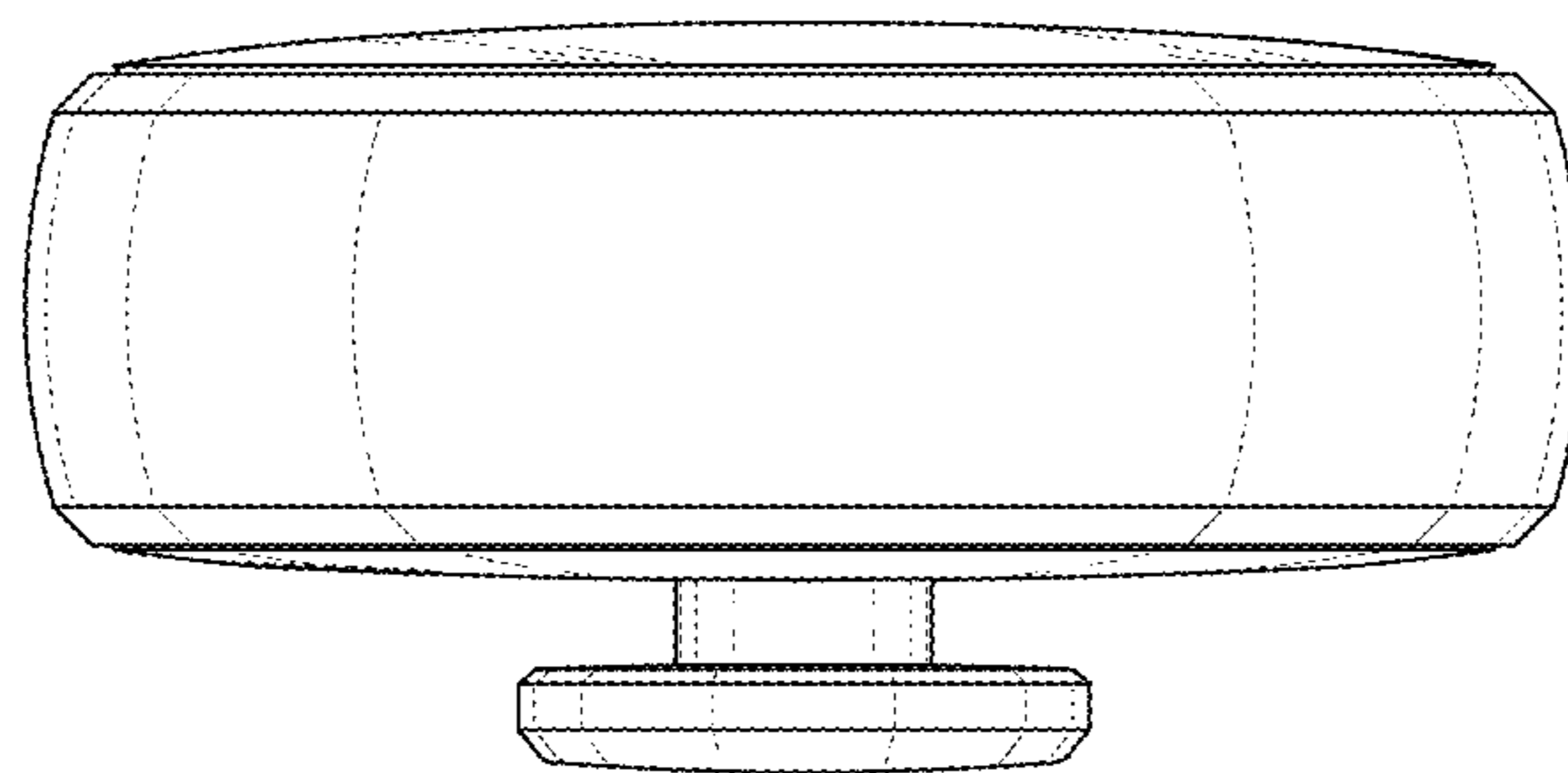


FIG. 6

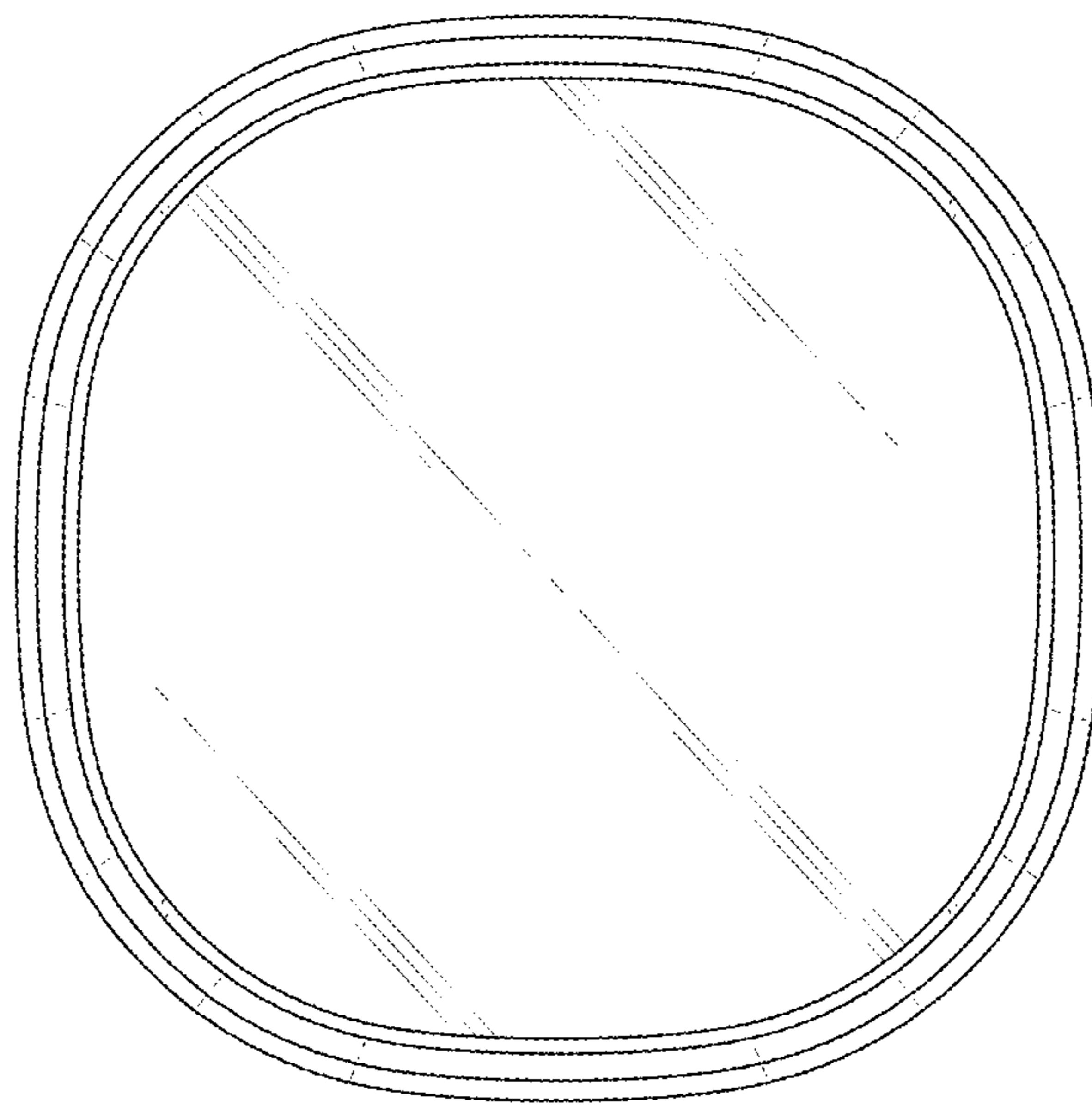


FIG. 7

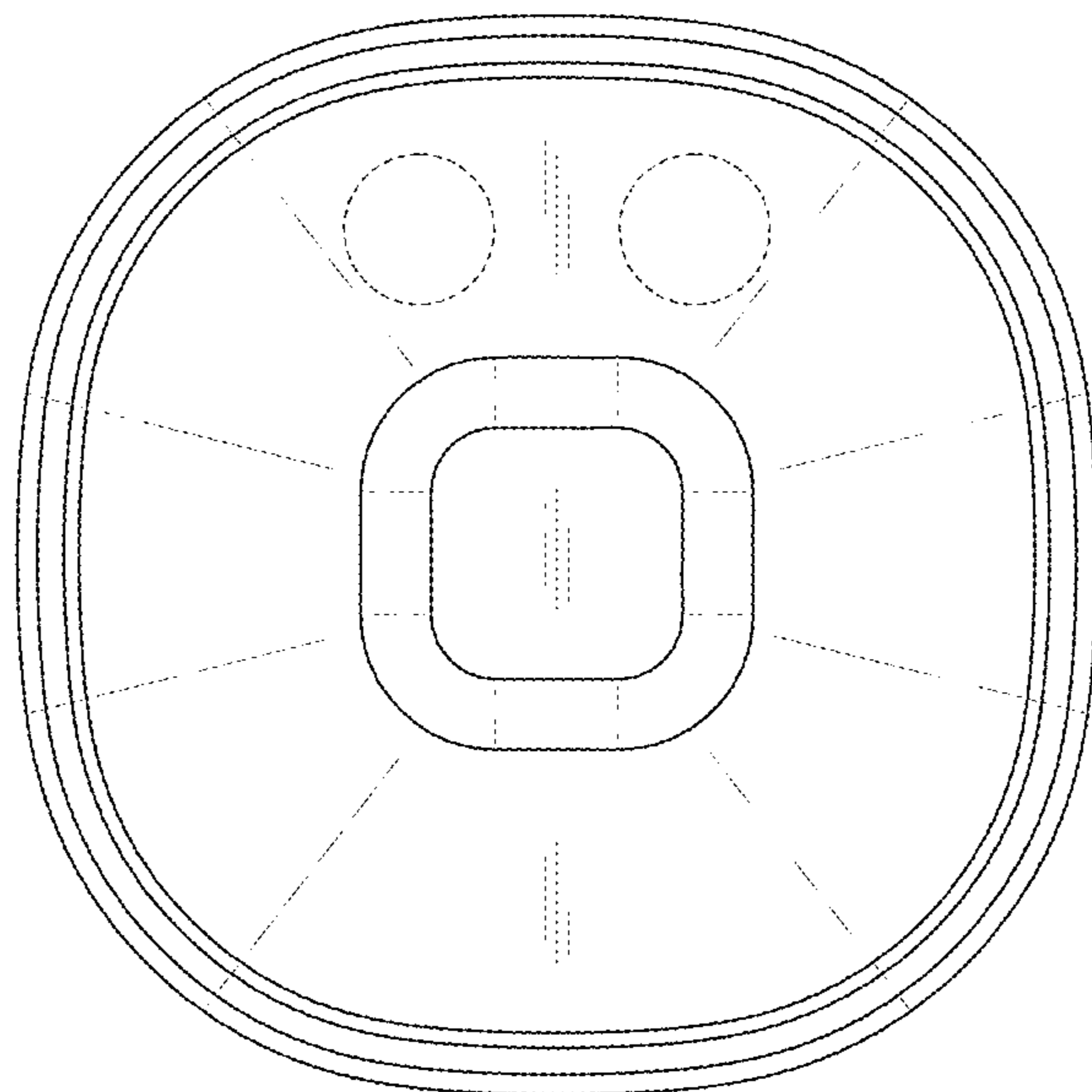


FIG. 8

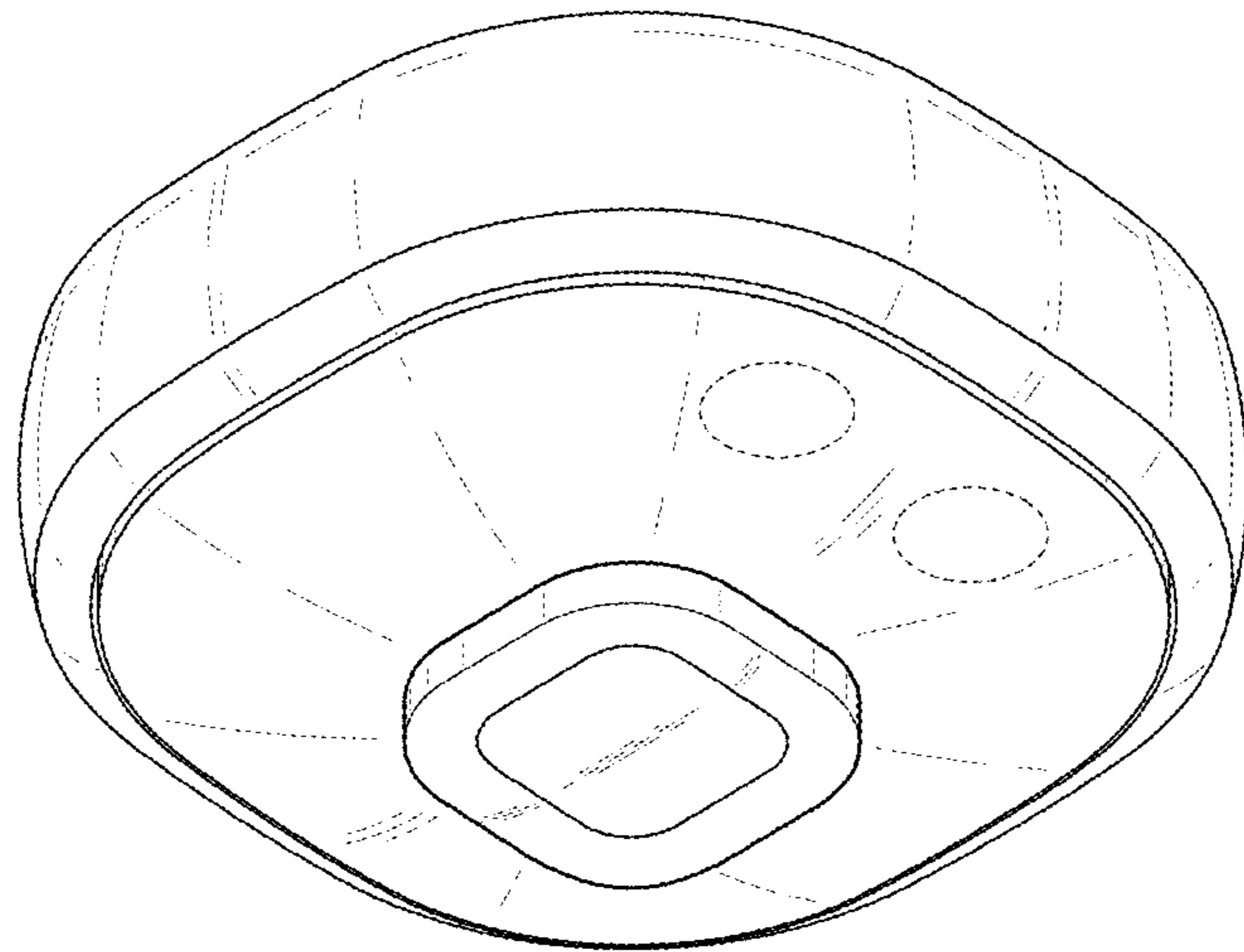




FIG. 9

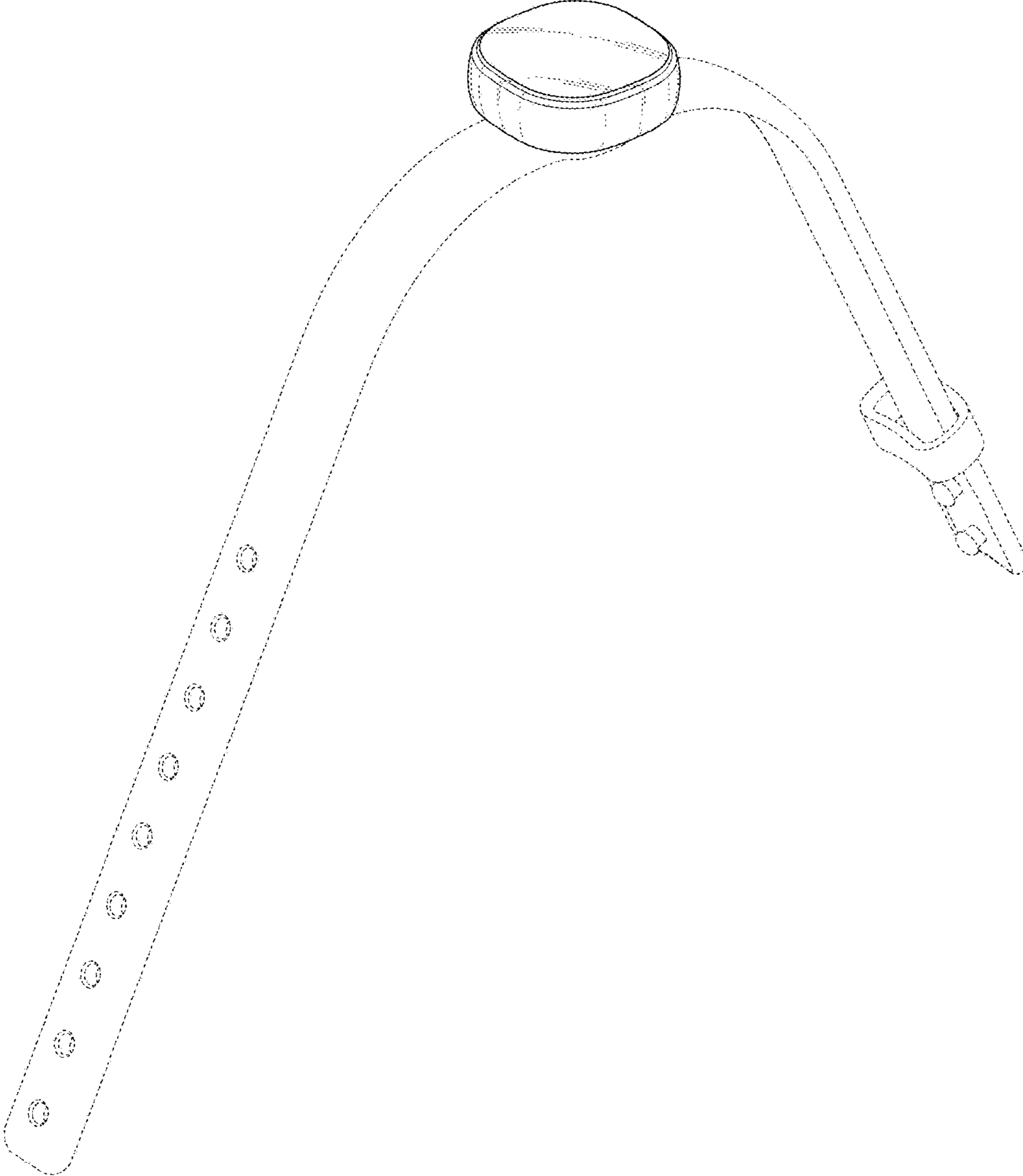


FIG. 10

