



US00D800719S

(12) **United States Design Patent** (10) **Patent No.:** **US D800,719 S**  
**Akana et al.** (45) **Date of Patent:** **\*\* Oct. 24, 2017**

(54) **PORTABLE DISPLAY DEVICE**

(71) Applicant: **Apple Inc.**, Cupertino, CA (US)

(72) Inventors: **Jody Akana**, San Francisco, CA (US); **Bartley K. Andre**, Palo Alto, CA (US); **Daniel J. Coster**, San Francisco, CA (US); **Daniele De Iuliis**, San Francisco, CA (US); **M. Evans Hankey**, San Francisco, CA (US); **Richard P. Howarth**, San Francisco, CA (US); **Jonathan P. Ive**, San Francisco, CA (US); **Steven P. Jobs**, Palo Alto, CA (US); **Duncan Robert Kerr**, San Francisco, CA (US); **Shin Nishibori**, Kailua, HI (US); **Matthew Dean Rohrbach**, San Francisco, CA (US); **Peter Russell-Clarke**, San Francisco, CA (US); **Christopher J. Stringer**, Woodside, CA (US); **Eugene Antony Whang**, San Francisco, CA (US); **Rico Zörkendörfer**, San Francisco, CA (US)

(73) Assignee: **Apple Inc.**, Cupertino, CA (US)

(\*\*) Term: **15 Years**

(21) Appl. No.: **29/553,430**

(22) Filed: **Feb. 1, 2016**

**Related U.S. Application Data**

(63) Continuation of application No. 29/467,742, filed on Sep. 23, 2013, now Pat. No. Des. 748,622, which is a continuation of application No. 29/432,441, filed on Sep. 14, 2012, now Pat. No. Des. 690,300, which is a continuation of application No. 29/379,722, filed on Nov. 23, 2010, now Pat. No. Des. 670,286, which is a continuation of application No. 29/354,599, filed on Jan. 26, 2010, now Pat. No. Des. 669,069, which is a continuation of application No. 29/353,307, filed on Jan. 6, 2010, now Pat. No. Des. 627,777.

(51) **LOC (10) Cl.** ..... **14-02**

(52) **U.S. Cl.**

USPC ..... **D14/341**

(58) **Field of Classification Search**

USPC ..... D14/341-347, 137, 138 R, 138 AA, D14/138 AB, 138 C, 138 G, 496, 203.1, D14/203.3, 203.4, 203.7, 129, 130, 147, D14/218, 247, 248, 250, 385, 388, 389, D14/315-318, 420, 426, 439; D21/329, D21/330; D10/50, 65, 104.1

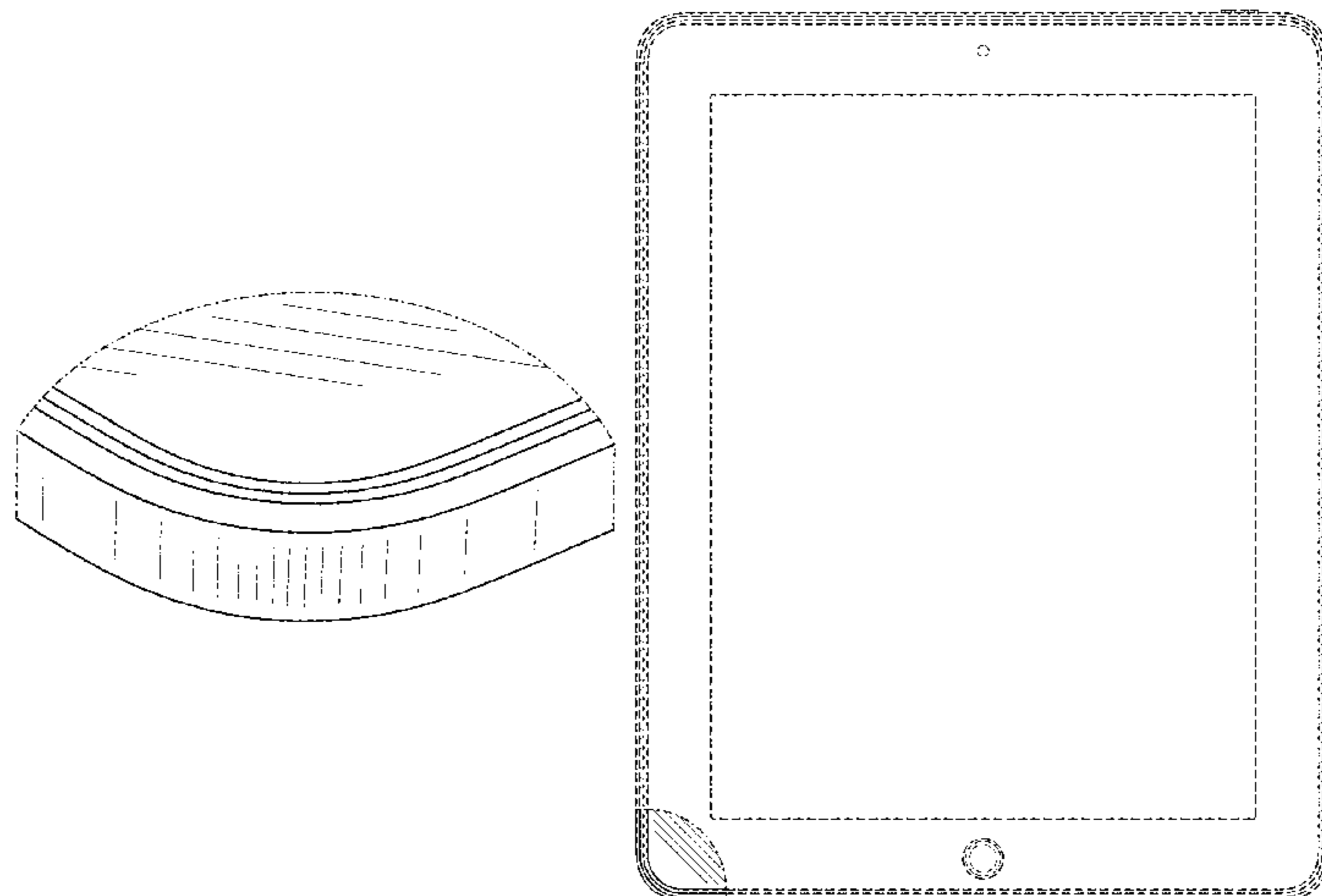
CPC . A63H 33/3016; G06F 1/1613; G06F 1/1647; G06F 1/1641; G06F 3/04883; G06F 3/0486; G06F 3/04847; G06F 3/04845; G06F 3/0484; H04M 1/0279; H04M 1/0281; H04M 1/0283

See application file for complete search history.

(56) **References Cited**

**U.S. PATENT DOCUMENTS**

2,424,630 A	7/1947	Perez
D262,151 S	12/1981	Sussman
D265,326 S	7/1982	Sugiyama
D270,061 S	8/1983	Ackeret
D270,062 S	8/1983	Ackeret
D270,063 S	8/1983	Ackeret
D270,066 S	8/1983	Ackeret
D278,276 S	4/1985	Bakic
4,545,023 A	10/1985	Mizzi
D284,084 S	6/1986	Ferrara, Jr.
D289,873 S	5/1987	Gemmell et al.
D304,448 S	11/1989	De La Cruz et al.
D306,583 S	3/1990	Krolopp et al.
D308,055 S	5/1990	Tedham et al.
D317,609 S	6/1991	Wei
D321,215 S	10/1991	Shamis
D332,328 S	1/1993	Lombardi, Jr.
D333,574 S	3/1993	Ackeret
D337,322 S	7/1993	Yang
D337,569 S	7/1993	Kando
D340,701 S	10/1993	Takeuchi
D340,917 S	11/1993	Sakaguchi et al.
D345,346 S	3/1994	Alfonso et al.
D346,589 S	5/1994	Andros
D346,793 S	5/1994	Iino et al.
5,345,543 A	9/1994	Capps et al.
5,347,295 A	9/1994	Agulnick et al.
5,398,310 A	3/1995	Tchao et al.
D361,552 S	8/1995	Iino
5,463,725 A	10/1995	Henckel et al.



# US D800,719 S

D364,153 S	11/1995	Umaba et al.	D532,810 S	11/2006	Kim
5,488,204 A	1/1996	Mead et al.	D534,516 S	1/2007	Lheem
5,495,566 A	2/1996	Kwatinetz	D534,517 S	1/2007	Cho et al.
D377,169 S	1/1997	Chida	D535,281 S	1/2007	Yang
5,703,626 A	12/1997	Itoh et al.	D540,203 S	4/2007	Jeon
D395,639 S	6/1998	Ham et al.	D543,183 S	5/2007	Cho et al.
D396,215 S	7/1998	Inukai	D543,979 S	6/2007	Lee
D396,452 S	7/1998	Naruki	D546,313 S	7/2007	Lheem
D408,372 S	4/1999	Ota et al.	D548,713 S	8/2007	Lee et al.
D408,794 S	4/1999	Ogasawara	D548,747 S	8/2007	Andre et al.
D409,185 S	5/1999	Kawashima	D556,211 S	11/2007	Howard
D410,440 S	6/1999	Carnell	D556,681 S	12/2007	Kim
D412,157 S	7/1999	Stevenson	D557,259 S	12/2007	Hirsch
D420,354 S	2/2000	Morales	D558,756 S	1/2008	Andre et al.
D424,535 S	5/2000	Peltola	D558,757 S	1/2008	Andre et al.
D425,887 S	5/2000	Edwards et al.	D558,758 S	1/2008	Andre et al.
6,061,063 A	5/2000	Wagner et al.	D560,227 S	1/2008	Bennett et al.
6,067,068 A	5/2000	Hussain	D561,782 S	2/2008	Kim
D438,201 S	2/2001	Ogawa et al.	D562,285 S	2/2008	Lim
D444,465 S	7/2001	Do	D565,596 S	4/2008	Kim
D448,031 S	9/2001	Goetz	D567,819 S	4/2008	Devericks et al.
D448,764 S	10/2001	Marsalka et al.	D568,309 S	5/2008	Cebe et al.
6,310,610 B1	10/2001	Beaton et al.	D572,694 S	7/2008	Park
D451,505 S	12/2001	Iseki et al.	D573,143 S	7/2008	Park et al.
D452,687 S	1/2002	Yeh	D575,760 S	8/2008	Kim et al.
6,337,698 B1	1/2002	Keely, Jr. et al.	D577,703 S	9/2008	Lee et al.
D453,333 S	2/2002	Chen	D580,387 S	11/2008	Andre et al.
D454,348 S	3/2002	Yeh	D580,431 S	11/2008	Morita
D455,433 S	4/2002	Alviar et al.	D581,922 S	12/2008	Andre et al.
D456,023 S	4/2002	Andre et al.	D583,346 S	12/2008	Jung et al.
D456,805 S	5/2002	Ono et al.	D583,373 S	12/2008	Chen
D457,530 S	5/2002	Amron	D584,711 S	1/2009	Kim et al.
D458,252 S	6/2002	Palm et al.	D584,738 S	1/2009	Kim et al.
D461,175 S	8/2002	Yokota	D586,800 S	2/2009	Andre et al.
D461,802 S	8/2002	Tu	D587,262 S	2/2009	Sogabe
D466,096 S	11/2002	Takada	D592,211 S	5/2009	Ichise et al.
D466,501 S	12/2002	Hirota	D592,212 S	5/2009	Hamada et al.
D467,890 S	12/2002	Lai et al.	D593,059 S	5/2009	Kim et al.
6,501,967 B1	12/2002	Mäkelä et al.	D593,132 S	5/2009	Kim
D469,413 S	1/2003	To et al.	D594,863 S	6/2009	Ichise et al.
6,509,907 B1	1/2003	Kuwabara	D596,626 S	7/2009	Andre et al.
D469,762 S	2/2003	Iwama et al.	D597,067 S	7/2009	Oh et al.
D472,245 S	3/2003	Andre et al.	D598,016 S	8/2009	Han et al.
D474,163 S	5/2003	Araki	D599,342 S	9/2009	Andre et al.
D480,721 S	10/2003	Hsieh	D600,241 S	9/2009	Andre et al.
D483,021 S	12/2003	Shih	D600,455 S	9/2009	Nell
D483,032 S	12/2003	Bertrand et al.	D600,690 S	9/2009	Miyaji
D483,037 S	12/2003	Whitehorn et al.	D600,696 S	9/2009	Andre et al.
D483,359 S	12/2003	Lin et al.	D601,353 S	10/2009	Sadler et al.
D484,471 S	12/2003	Lin et al.	D601,558 S	10/2009	Andre et al.
D485,265 S	1/2004	Sato et al.	D601,583 S	10/2009	Andre et al.
D486,149 S	2/2004	Kawami et al.	D602,014 S	10/2009	Andre et al.
6,690,387 B2	2/2004	Zimmerman et al.	D602,015 S	10/2009	Andre et al.
D488,469 S	4/2004	Batsikas	D602,016 S	10/2009	Andre et al.
D489,731 S	5/2004	Huang	D602,017 S	10/2009	Andre et al.
D490,420 S	5/2004	Solomon et al.	D602,486 S	10/2009	Andre et al.
D491,177 S	6/2004	Andre et al.	D602,487 S	10/2009	Maskatia
D491,936 S	6/2004	Jao	D602,488 S	10/2009	Jiang et al.
D492,684 S	7/2004	Ozolins et al.	D604,290 S	11/2009	Andre et al.
D493,785 S	8/2004	Andre et al.	D604,291 S	11/2009	Andre et al.
D494,164 S	8/2004	Wu et al.	D604,292 S	11/2009	Andre et al.
D496,040 S	9/2004	Jobs et al.	D604,293 S	11/2009	Andre et al.
D496,362 S	9/2004	Ozolins et al.	D604,297 S	11/2009	Andre et al.
D496,363 S	9/2004	Ozolins et al.	D604,729 S	11/2009	Andre et al.
D497,364 S	10/2004	Ozolins et al.	D604,733 S	11/2009	Andre et al.
D497,910 S	11/2004	Huang et al.	D606,129 S	12/2009	Ben-Moshe
6,822,635 B2	11/2004	Shahoian et al.	D606,988 S	12/2009	Andre et al.
D500,037 S	12/2004	Ozolins et al.	D606,989 S	12/2009	Andre et al.
D502,179 S	2/2005	Cha et al.	D606,991 S	12/2009	Liu et al.
D502,944 S	3/2005	Kawami et al.	D606,992 S	12/2009	Liu et al.
D503,679 S	4/2005	Andre et al.	D607,428 S	1/2010	Kim et al.
D504,889 S	5/2005	Andre et al.	D609,705 S	2/2010	Andre et al.
D506,195 S	6/2005	Leveridge et al.	D610,138 S	2/2010	Andre et al.
D514,558 S	2/2006	Nagel et al.	7,658,675 B2	2/2010	Hotta
D514,568 S	2/2006	Huang et al.	D611,045 S	3/2010	Andre et al.
D515,082 S	2/2006	Moskaluk et al.	D611,469 S	3/2010	Andre et al.
D524,809 S	7/2006	Alcouloumre et al.	7,688,574 B2	3/2010	Zadesky et al.
D528,517 S	9/2006	Izumi	D613,735 S	4/2010	Andre et al.
D532,791 S	11/2006	Kim	D613,736 S	4/2010	Andre et al.

# US D800,719 S

Page 3

D615,083 S	5/2010	Andre et al.	CA	89155	3/2000
D615,554 S	5/2010	Andre et al.	CA	101263	1/2004
D617,792 S	6/2010	Andre et al.	CN	200430011774.1	6/2005
D618,241 S	6/2010	Akana et al.	CN	1695105 A	11/2005
D618,242 S	6/2010	Akana et al.	CN	200630030574.X	8/2007
D619,555 S	7/2010	Yang et al.	CN	200630174414	12/2007
D620,004 S	7/2010	Andre et al.	CN	200730008464	3/2008
D621,397 S	8/2010	Andre et al.	CN	200730058820	6/2008
D622,514 S	8/2010	Park et al.	CN	200930166104.X	2/2010
D622,718 S	8/2010	Andre et al.	CN	200930166516.3	5/2010
D622,719 S	8/2010	Andre et al.	CN	200930166757.8	6/2010
D622,720 S	8/2010	Andre et al.	CN	301499241 S	3/2011
D623,184 S	9/2010	Green et al.	DE	40104198-0001	9/2001
D624,070 S	9/2010	Lee et al.	DE	40301867-0001	9/2003
D624,071 S	9/2010	Dan	DE	40705936-0001	5/2008
D624,072 S	9/2010	Andre et al.	EM	00048061-0001	8/2003
D624,536 S	9/2010	Andre et al.	EM	000046198-0001	11/2003
D624,914 S	10/2010	Wang	EM	000181607-0001	8/2004
D626,437 S	11/2010	Lee et al.	EM	000317490-0001	5/2005
D627,343 S	11/2010	Andre et al.	EM	000328265-0001	6/2005
D627,777 S	11/2010	Akana et al.	EM	000257621-0004	7/2005
D629,772 S	12/2010	Mo et al.	EM	000375191-0001	9/2005
D633,092 S	2/2011	Andre et al.	EM	000401898-0003	11/2005
D633,460 S	3/2011	Yi et al.	EM	000493721-0002	5/2006
D633,908 S	3/2011	Akana et al.	EM	000569157-0005	9/2006
D634,742 S	3/2011	Andre et al.	EM	000614565-0001	12/2006
D636,390 S	4/2011	Andre et al.	EM	00066789-0001	3/2007
D636,724 S	4/2011	Nomi et al.	EM	000718770-0007	6/2007
D637,596 S	5/2011	Akana et al.	EM	000748280-0001	8/2007
D638,412 S	5/2011	Lee et al.	EM	000748280-0006	8/2007
D638,814 S	5/2011	Sutherland et al.	EM	000767959-0001	8/2007
D639,261 S	6/2011	Garnham et al.	EM	000748314-0001	10/2007
D639,266 S	6/2011	DeLorenzo et al.	EM	000891809-0003	4/2008
D640,663 S	6/2011	Arnholt et al.	EM	000939731-0001	6/2008
7,969,732 B1	6/2011	Noble	EM	001005839-0007	3/2009
D641,018 S	7/2011	Lee et al.	EM	001098149-0001	4/2009
D644,641 S *	9/2011	Akana ..... D14/315	EM	001143010-0005	7/2009
D645,833 S	9/2011	Seflic et al.	EM	001772252-0001	10/2010
D658,646 S	5/2012	Akana et al.	EM	001000152-0001	11/2010
D669,069 S *	10/2012	Akana ..... D14/341	EM	001140115-0001	11/2010
D669,468 S	10/2012	Akana et al.	EP	0 701 220 B1	7/2001
D670,286 S	11/2012	Akana et al.	ES	10147763	3/2001
D670,692 S	11/2012	Akana et al.	ES	D0505712-01	4/2008
D677,658 S	3/2013	Akana et al.	FI	4897	7/1980
D677,659 S	3/2013	Akana et al.	FR	990052-001	5/1999
D681,632 S	5/2013	Akana et al.	FR	985598-001	10/2001
D689,482 S	9/2013	Akana et al.	FR	985598-002	10/2001
D690,297 S	9/2013	Chang et al.	FR	985598-003	10/2001
D690,299 S	9/2013	Akana et al.	FR	985598-004	10/2001
D690,300 S	9/2013	Akana et al.	GB	1042780	12/1986
D692,421 S	10/2013	McManigal et al.	GB	1058720	11/1989
D695,737 S	12/2013	Kim et al.	GB	1058721	11/1989
D696,664 S	12/2013	Iida et al.	GB	2030050	10/1992
D697,911 S	1/2014	McManigal et al.	GB	2033245	8/1993
D699,719 S	2/2014	Akana et al.	GB	2101448	10/2000
D707,675 S	6/2014	Akana et al.	GB	2103809	2/2001
D708,608 S	7/2014	Sugiyama et al.	GB	3009998	1/2003
D710,352 S	8/2014	Lee et al.	GB	3010002	1/2003
D715,286 S	10/2014	Lee et al.	GB	3014024	8/2003
D715,795 S	10/2014	McManigal	GB	3022447	10/2005
D722,050 S	2/2015	Moradian	JP	61-69284	4/1986
D729,794 S	5/2015	Lee et al.	JP	4-370868	12/1992
2003/0125079 A1	7/2003	Park et al.	JP	886431	12/1993
2003/0125094 A1	7/2003	Hyun et al.	JP	887388	12/1993
2003/0125959 A1	7/2003	Palmquist et al.	JP	6-102341	4/1994
2003/0184525 A1	10/2003	Tsai	JP	000921403	3/1995
2003/0206202 A1	11/2003	Moriya	JP	949744	3/1996
2004/0021676 A1	2/2004	Chen et al.	JP	953136	5/1996
2004/0041504 A1	3/2004	Ozolins et al.	JP	9-325180	12/1997
2005/0156902 A1	7/2005	McPherson et al.	JP	001009317	5/1998
2008/0004083 A1	1/2008	Ohki et al.	JP	11-112918	4/1999
2009/0247244 A1	10/2009	Mittleman et al.	JP	11-126149	5/1999
			JP	11-289169	10/1999
			JP	1056385	12/1999
			JP	2000-163031	6/2000
			JP	2000-322495	11/2000
			JP	2001-22471	1/2001
			JP	2001-22704	1/2001
			JP	D1098145	1/2001
FOREIGN PATENT DOCUMENTS					
AU	315078	7/2007			
CA	72548	5/1993			

JP	001104685	3/2001
JP	D1124750	10/2001
JP	001142127	5/2002
JP	D1143615	6/2002
JP	D1145748	7/2002
JP	2002-254614	9/2002
JP	D1155168	10/2002
JP	D1155176	10/2002
JP	D1159881	12/2002
JP	D1178470	7/2003
JP	001188041	10/2003
JP	2003-330613	11/2003
JP	D1194485	1/2004
JP	D1204221	5/2004
JP	2004-290256	10/2004
JP	001235888	4/2005
JP	001241638	6/2005
JP	D1241383	6/2005
JP	D1247215	8/2005
JP	D1250487	9/2005
JP	D1263649	2/2006
JP	001280315	9/2006
JP	D1285057	10/2006
JP	D1295003	2/2007
JP	D1302929	6/2007
JP	D1325539	3/2008
JP	D1351273	2/2009
JP	D1133939	2/2012
KR	30-0037851	8/1982
KR	30-0109896	11/1990
KR	30-0110034	11/1990
KR	30-0213519	4/1998
KR	30-0222985-1	2/1999
KR	30-0237641	6/1999
KR	30-0241312	7/1999
KR	30-0243584	8/1999
KR	30-0288858	1/2002
KR	30-0290725	1/2002
KR	30-0291915	2/2002
KR	30-0294002	3/2002
KR	30-0296928	5/2002
KR	30-0297741	5/2002
KR	30-0304213	8/2002
KR	30-0307008	9/2002
KR	30-0307235	9/2002
KR	30-0307307	9/2002
KR	30-0309692	10/2002
KR	30-0312151	11/2002
KR	30-0312152	11/2002
KR	30-0327126	6/2003
KR	30-0330831	8/2003
KR	30-0332851	9/2003
KR	30-0336260	10/2003
KR	30-0338781	11/2003
KR	2003-0088374	11/2003
KR	30-0338886	12/2003
KR	30-0326632-2	1/2004
KR	30-0398307	11/2005
KR	30-0394921-1	12/2005
KR	30-0418422-1	7/2006
KR	30-0418547	7/2006
KR	30-0422221	8/2006
KR	3004222220000	8/2006
KR	30-0424148	9/2006
KR	30-0441230	2/2007
KR	30-0452432	6/2007
KR	30-0452985	8/2007
KR	30-0529167	5/2009
KR	30-0533504	7/2009
KR	30-0546031	11/2009
NO	082652	11/2010
SE	55044	10/1993
SE	2001/0343	9/2002
TW	584453	4/2004
TW	D106137	8/2005
TW	D137754	11/2010
WO	WO 00/74240 A1	12/2000
WO	WO 01/88679	11/2001
WO	WO 2004/023272 A2	3/2004

## OTHER PUBLICATIONS

01net, "Fiche Technique Philips SPH8008," (<http://www.01net.com/fiche-produit/fiche-technique-7075/cadres-numeriques-philips-sph8008/>), retrieved Nov. 21, 2011, 7 pages.

01net, "Fiche Technique Philips SPH8008," (<http://www.01net.com/images/produit/full/philips-sph8008-1.jpg>), retrieved Nov. 21, 2011, 1 page.

01net, "Fiche Technique Philips SPH8008," (<http://www.01net.com/images/produit/full/philips-sph8008-2.jpg>), retrieved Nov. 21, 2011, 1 page.

01net, "Fiche Technique Philips SPH8008," (<http://www.01net.com/images/produit/full/philips-sph8008-3.jpg>), retrieved Nov. 21, 2011, 1 page.

01net, "Fiche Technique Philips SPH8008," (<http://www.01net.com/images/produit/full/philips-sph8008-4.jpg>), retrieved Nov. 21, 2011, 1 page.

Amazon, "STL Deutschland Digitaler Bilderrahmen DF-711 B," (<http://www.amazon.de/STL-Deutschland-Digitaler-Biderrahmen-DF-711/dp/B002D5K6YK>), retrieved Nov. 21, 2011, 4 pages.

Apple Computer, Inc., "Apple Cinema Display," 1999, 21 pages.

Apple Computer, Inc., "Setting Up Your Studio Display 15-Inch flat panel monitor," 1999, 37 pages.

Apple Inc., "iPod touch (2nd generation)," (<http://support.apple.com/kb/ht1353>), retrieved Nov. 21, 2011, 1 page.

Arrington, M., TechCrunch, "We Want a Dead Simple Web Tablet for \$200. Help Us Build It.," (<http://techcrunch.com/2008/07/21/we-want-a-dead-simple-web-tablet-help-us-build-it/>), published Jul. 21, 2008, 4 pages.

Bookeen, "New Cybook OPUS," (<http://www.bookeen.com/ebook/ebook-reading-deviceaSPX>), retrieved Apr. 26, 2010, 2 pages.

Bower, G., MacPredictions, "iPod Tablet [Mockup]," (<http://www.macpredictions.com/2009/04/ipod-tablet-mockup.html>), published Apr. 18, 2009, 8 pages.

Cashmore, P., Mashable, "Apple Tablet: Ultimate Gallery of Concept Designs and Prototypes," (<http://mashable.com/2009/08/07/apple-tablet-gallery/>), published Aug. 7, 2009, 28 pages.

Justia, "*Apple v. Samsung Electronics Co. Ltd. et al*, Filing: 427 Attachment: 42," (<http://docs.justia.com/cases/federal/district-courts/california/candce/5:2011cv01846/239768/427/42.html>), dated Nov. 28, 2011, 3 pages.

Justia, "*Apple v. Samsung Electronics Co. Ltd. et al*, Filing: 427 Attachment: 43," (<http://docs.justia.com/cases/federal/district-courts/california/candce/5:2011cv01846/239768/427/43.html>), dated Nov. 28, 2011, 3 pages.

Justia, "*Apple v. Samsung Electronics Co. Ltd. et al*, Filing: 427 Attachment: 44," (<http://docs.justia.com/cases/federal/district-courts/california/candce/5:2011cv01846/239768/427/44.html>), dated Nov. 28, 2011, 3 pages.

Focus Online, "Rollei DF8 DVB-T," ([http://www.focus.de/digital/foto/rollei-df8-dvb-t-fernsehen-im-biderrahmen\\_did\\_27152.html](http://www.focus.de/digital/foto/rollei-df8-dvb-t-fernsehen-im-biderrahmen_did_27152.html)), published Feb. 18, 2010, 3 pages.

Foto-Branche.de, "Kodak EasyShare S730: Digitaler Bilderrahmen mit integriertem Akku," (<http://www.foto-branche.de/news/singleview/browse/2/article/kodak-easyshare-s730-digitaler-biderrahmen-mit-integriertem-akku/2.html>), published Jul. 13, 2009, 2 pages.

Fotofabrikas, "AgfaPhoto AF 5087 MS 8," ([http://www.fotofabrikas.lt/data/images/catalog\\_pics/n\\_preview/Skaitmeniniai%20remeliai%20AgfaPhoto%20AF%205087%20MS%20%20skaitmeninis%20r%20melis\\_01.jpg](http://www.fotofabrikas.lt/data/images/catalog_pics/n_preview/Skaitmeniniai%20remeliai%20AgfaPhoto%20AF%205087%20MS%20%20skaitmeninis%20r%20melis_01.jpg)), retrieved Nov. 22, 2011, 1 page.

Fotofabrikas, "AgfaPhoto AF 5087 MS 8," (<http://www.fotofabrikas.lt/en/items/Digital-Frames/Digital-photo-frames/2636ee4.2-AgfaPhoto-AF-5087-MS-8.html>), retrieved Nov. 21, 2011, 5 pages.

Funamizu, M., Petitinvention, "(iPod Touch + iMac + Macbook Air) / 3," (<http://petitinvention.wordpress.com/2008/05/03/ipod-touch-imac-macbook-air-3/>), published May 3, 2008, 4 pages.

- GadgetFolder, "iRex Digital Reader 800 with 8-inch touchscreen and wireless," (<http://www.gadgetfolder.com/irex-digital-reader-800-with-8-inch-touchscreen-and-wireless.html>), published Aug. 9, 2009, 5 pages.
- Kahney, L., Cult of Mac, "Mac Air Tablet Mockup From Isamu Sanada," (<http://www.cultofmac.com/1952/mac-air-tablet-mockup-from-isamu-sanada/>), published May 6, 2008, 13 pages.
- KingVision, "Digital Photo Frame," ([http://www.sz-kingvision.com/product.php?type\\_id=1&weblan=e](http://www.sz-kingvision.com/product.php?type_id=1&weblan=e)), retrieved Nov. 21, 2011, 2 pages.
- KingVision, "DPF-1902," ([http://www.sz-kingvision.com/product\\_disp.php?productid=24&weblan=e](http://www.sz-kingvision.com/product_disp.php?productid=24&weblan=e)), retrieved Nov. 21, 2011, 3 pages.
- Kowalski, M., "Review: Kodak EasyShare S730," Digital Picture Frame Review, (<http://www.digitalpictureframereview.com/2009/07/review-kodak-easyshare-s730/>), published Jul. 17, 2009, 14 pages.
- Lazar, L., Cult of Mac, "Mac Pad Mock Up," (<http://www.cultofmac.com/4921/mac-pad-mock-up/>), published Nov. 19, 2008, 12 pages.
- My Burmese Blog, "Apple Touch Screen Netbook Prototypes Hit the Web," (<http://www.htootayzar.com/myblog/2009/03/apple-touch-screen-netbook-prototypes-hit-the-web/>), published Mar. 12, 2009, 10 pages.
- Netzwelt, "Rollei DF8 DVB-T," (<http://www.netzwelt.de/news/81537-rollei-df8-dvb-t-test-digitaler-bilderrahmen-mini-fernseher.html>), retrieved Nov. 21, 2011, 10 pages.
- Samsung, "Samsung Introduces UltraThin Touch of Color Photo Frame," ([http://www.samsung.com/us/news/newsPreviewRead.do?news\\_seq=13462](http://www.samsung.com/us/news/newsPreviewRead.do?news_seq=13462)), published May 23, 2009, 2 pages.
- Samsung, "Samsung's Digital Photo Frames," ([http://www.samsung.com/hk\\_en/consumer/detail/productPreviewRead.do?model\\_cd=LP08IPLSB/XK&group=photography&type=photo-frame&subtype=photo-frame](http://www.samsung.com/hk_en/consumer/detail/productPreviewRead.do?model_cd=LP08IPLSB/XK&group=photography&type=photo-frame&subtype=photo-frame)), retrieved Nov. 21, 2011, 4 pages.
- Savov, V., Engadget, "NVIDIA Tegra tablet prototype hands-on," (<http://www.engadget.com/2009/11/27/nvidia-tegra-tablet-prototype-hands-on/>), published Nov. 27, 2009, 5 pages.
- Savov, V., Engadget, "NVIDIA Tegra tablet prototype hands-on," (<http://www.engadget.com/photos/nvidia-tegra-tablet-prototype/#2485983>), published Nov. 27, 2009, 2 pages.
- Savov, V., Engadget, "NVIDIA Tegra tablet prototype hands-on," (<http://www.engadget.com/photos/nvidia-tegra-tablet-prototype/#2485984>), published Nov. 27, 2009, 2 pages.
- Savov, V., Engadget, "NVIDIA Tegra tablet prototype hands-on," (<http://www.engadget.com/photos/nvidia-tegra-tablet-prototype/#2485985>), published Nov. 27, 2009, 2 pages.
- Savov, V., Engadget, "NVIDIA Tegra tablet prototype hands-on," (<http://www.engadget.com/photos/nvidia-tegra-tablet-prototype/#2485986>), published Nov. 27, 2009, 2 pages.
- Savov, V., Engadget, "NVIDIA Tegra tablet prototype hands-on," (<http://www.engadget.com/photos/nvidia-tegra-tablet-prototype/#2485987>), published Nov. 27, 2009, 2 pages.
- Savov, V., Engadget, "NVIDIA Tegra tablet prototype hands-on," (<http://www.engadget.com/photos/nvidia-tegra-tablet-prototype/#2485988>), published Nov. 27, 2009, 2 pages.
- Savov, V., Engadget, "NVIDIA Tegra tablet prototype hands-on," (<http://www.engadget.com/photos/nvidia-tegra-tablet-prototype/#2485989>), published Nov. 27, 2009, 2 pages.
- Savov, V., Engadget, "NVIDIA Tegra tablet prototype hands-on," (<http://www.engadget.com/photos/nvidia-tegra-tablet-prototype/#2485990>), published Nov. 27, 2009, 2 pages.
- Savov, V., Engadget, "NVIDIA Tegra tablet prototype hands-on," (<http://www.engadget.com/photos/nvidia-tegra-tablet-prototype/#2485991>), published Nov. 27, 2009, 2 pages.
- Savov, V., Engadget, "NVIDIA Tegra tablet prototype hands-on," (<http://www.engadget.com/photos/nvidia-tegra-tablet-prototype/#2485992>), published Nov. 27, 2009, 2 pages.
- Schulze, S. and Gratz, I., "1999 | Studio Display," in Apple Design, pp. 144-145, Hatje Cantz Verlag, Ostfildern, Germany (2011).
- Softgate, "Fujifilm FinePix Real 3D V1," ([http://www.softgate.ch/ger\\_details\\_31383/Fujifilm\\_FinePix\\_Real\\_3D\\_V1\\_Viewer\\_8\\_TFT.html](http://www.softgate.ch/ger_details_31383/Fujifilm_FinePix_Real_3D_V1_Viewer_8_TFT.html)), published Apr. 16, 2010, 2 pages.
- Testberichte.de, "Fuji FinePix Real 3D V1," (<http://www.testberichte.de/p/philips-tests/digital-photoframe-sph8008-testbericht.html>), retrieved Nov. 21, 2011, 3 pages.
- Testberichte.de, "Philips Digital PhotoFrame SPH8008," (<http://www.testberichte.de/p/philips-tests/digital-photoframe-sph8008-testbericht.html>), retrieved Nov. 21, 2011, 4 pages.
- Touch User Guide, "What will the new Apple Tablet look like? Apple tablet images leaked?," (<http://www.touchuserguide.com/2009/07/29/what-will-the-new-apple-tablet-look-like/>), published Jul. 29, 2009, 29 pages.
- Toxel.com, "12 Cool Apple Tablet Concepts," (<http://www.toxel.com/tech/2009/08/31/12-cool-apple-tablet-concepts/>), published Aug. 31, 2009, 16 pages.
- Verkehrsrundschau, "Details zum Digitalen Bilderrahmen," ([http://www.verkehrsrundschau.de/fotowettbewerb-mein-tag-der-logistik-835123.html?\\_apg=2](http://www.verkehrsrundschau.de/fotowettbewerb-mein-tag-der-logistik-835123.html?_apg=2)), published Apr. 27, 2009, 1 page.
- Vilas-Boas, R., "Nokia I.D.," (<http://rdvb-designshowcase.blogspot.com/p/cheddar-1-2009.html>), retrieved Nov. 7, 2011, 6 pages.
- Yatego Shopping, "Lenco Digitaler Bilderrahmen DF-911 B," (<http://www.yatego.com/index.htm?cl=spotshopping&popup=media&pid=4a13d0ce891ff>), retrieved Nov. 21, 2011, 1 page.
- Amazon, "Developing Tablet PC Applications—(Charles River Media Programming)," (<http://www.amazon.co.uk/Developing-Tablet-Applications-Charles-Programming/dp/1584502525>), retrieved Jul. 20, 2011, 4 pages.
- Association for Computing Machinery, The Open Video Project, "ACM CHI 1995—The Tablet Newspaper: A vision for the Future," (<http://www.open-video.org/details.php?videoid=8315&surrogate=storyboard>), 3 pages (1994).
- Aumente, J., American Journalism Review, "Panel Vision," (<http://www.ajr.org/Article.asp?id=1257>), published Oct. 1994, 7 pages.
- Blickenstorfer, C., PenComputing Magazine, "Tablet PCs: HP Compaq Tablet PC TC1000," ([http://pencomputing.com/frames/tpc\\_compaq.html](http://pencomputing.com/frames/tpc_compaq.html)), 3 pages (Dec. 2002).
- Blickenstorfer, C., PenComputing Magazine, "Tablet PCs: Motion Computing M1200," ([http://pencomputing.com/frames/tpc\\_motion1200.html](http://pencomputing.com/frames/tpc_motion1200.html)), 3 pages (Dec. 2002).
- Blickenstorfer, C., PenComputing Magazine, "Tablet PCs: ViewSonic V1100," ([http://pencomputing.com/frames/tpc\\_viewsonic.html](http://pencomputing.com/frames/tpc_viewsonic.html)), 3 pages (Dec. 2002).
- Chi-atheneum, "Good Design 2003, An International Industrial and Graphic Design Competition," (<http://www.chi-atheneum.org/gdesign/winners03.htm>), retrieved Sep. 23, 2011, 7 pages.
- Cnet, "HP Compaq Tablet PC TC1000 Review," [http://reviews.cnet.com/tablet-pcs/hp-compaq-tablet-pc/4505-3126\\_7-20627295.html](http://reviews.cnet.com/tablet-pcs/hp-compaq-tablet-pc/4505-3126_7-20627295.html), published Nov. 6, 2002, 8 pages.
- Computing History, "GRidPad 1910," (<http://computinghistory.org.uk/det/6565/GRidPad-1910>), retrieved Sep. 12, 2011, 2 pages.
- Digibarn Computer Museum, "PenPoint tablet pen computer by GO Corporation," (<http://www.digibarn.com/collections/systems/go/index.html>), retrieved Jul. 18, 2011, 6 pages.
- DigiBarn Systems, "GRidpad Pen Computer," (<http://www.digibarn.com/collections/systems/gridpad/index.html>), retrieved Sep. 23, 2011, 2 pages.
- Edible Apple, "The first Apple Tablet . . . from 1979," (<http://www.edibleapple.com/the-first-apple-tablet-from-1979/>), published Nov. 23, 2009, 8 pages.
- Electronista, "LG/Prada phone revealed?," (<http://www.electronista.com/articles/06/12/20/lg.prada.phone.revealed/>), updated Dec. 20, 2006, 9 pages.
- EngineerBoy, CleverDonkey.com, "2001: A Space Odyssey and the iPad (or is it tamPod?)," (<http://www.cleverdonkey.com/1499-2001a-space-odyssey-and-the-ipad-or-is-it-tampod/>), published Feb. 2, 2010, 5 pages.
- Gizmodo, "Kurztest: JooJoo (Crunchpad)—riesiges Internet-Tablet," (<http://www.gizmodo.de/2009/12/09/kurztest-joojoo-crunchpad-riesiges-internet-tablet.html>), retrieved Sep. 26, 2011, 13 pages.
- Hagen, R., GadgetZone, "iHolic portable mediaspeler," (<http://www.gadgetzone.nl/nieuws.php?id=3191>), published Jan. 4, 2007, 3 pages.

- Jarrett, R. et al., *Building Tablet PC Applications*, pp. 38, Microsoft Press, Redmond, Washington, (2003).
- Kahney, L., *Wired*, “Apple’s Newton Just Won’t Drop,” (<http://www.wired.com/gadgets/mac/commentary/cultofmac/2002/08/54580>), published Aug. 29, 2002, 2 pages.
- Martin, T., “The Tablet Newspaper: A Vision for the Future,” *Human Factors in Computing Systems, Chi ’95 Conference Companion*, pp. 425, Colorado, United States (May 1995).
- NewLaunches, “LG Prada cell phones are truly iconic,” ([http://www.newlaunches.com/archives/lg\\_prada\\_cell\\_phones\\_are\\_truly\\_iconic.php](http://www.newlaunches.com/archives/lg_prada_cell_phones_are_truly_iconic.php)), retrieved Sep. 12, 2011, 3 pages.
- NewLaunches, “LG Wears Prada,” ([http://www.newlaunches.com/archives/lg\\_wears\\_prada.php](http://www.newlaunches.com/archives/lg_wears_prada.php)), retrieved Sep. 23, 2011, 2 pages.
- NotebookCheck, “Fujitsu-Siemens Stylistic ST5022,” (<http://www.notebookcheck.com/typo3temp/pics/d675d29c1f.jpg>), retrieved Sep. 26, 2011, 1 page.
- PC Magazine, “HP Compaq Tablet PC TC1000,” (<http://www.pcmag.com/article2/0,2817%20,939500,00.asp>), published Apr. 8, 2003, 3 pages.
- Samsung, “Samsung F700 is razendsnelle alleskunner voor mobiel breedband van Vodafone,” ([http://www.samsung.com/nl/mobile/pressView.do?ptype=press&page=13&news\\_seq=22544](http://www.samsung.com/nl/mobile/pressView.do?ptype=press&page=13&news_seq=22544)), published May 25, 2008, 2 pages.
- Samsung, “Samsung Unveils Revolutionary Ultra Smart F700,” ([http://www.samsung.com/us/news/newsRead.do?news\\_seq=3516](http://www.samsung.com/us/news/newsRead.do?news_seq=3516)), published Nov. 23, 2009, 2 pages.
- Smith, C., *HuffPost Tech*, “History of Tablet PCs (Photos): A Pictorial Timeline of Tablets, From RAND to the iPad,” ([http://www.huffingtonpost.com/2010/04/15/history-tablet-pc-photos\\_n\\_538806.html](http://www.huffingtonpost.com/2010/04/15/history-tablet-pc-photos_n_538806.html)), published Apr. 15, 2010, 5 pages.
- Van Reeth, J., “Vantage is showing its colours!,” *Home automation journal* 11:1-8, Vantage Emea, Belgium (Jun. 2003).
- Wikipedia, “Etch a Sketch,” ([http://en.wikipedia.org/wiki/Etch\\_a\\_sketch](http://en.wikipedia.org/wiki/Etch_a_sketch)), last modified Aug. 24, 2011, 4 pages.
- Wikipedia, “MessagePad,” (<http://en.wikipedia.org/wiki/Messagepad>), retrieved Sep. 12, 2011, 10 pages.
- ZDNet, “Viewsonic V1100,” (<http://www.zdnet.nl/reviews/24712/viewsonic-v1100/>), published Feb. 17, 2003, 9 pages.
- Ziegler, C., *Engadget*, “The LG KE850: touchable chocolate,” (<http://mobile.engadget.com/2006/12/15/the-lg-ke850-touchable-chocolate/>), published Dec. 15, 2006, 5 pages.
- Request for Re-examination of Australian Design Registration Nos. 337931, 337833, 337832, received Sep. 13, 2011, 3 pages.
- Rothman, W., *Gizmodo*, “HP’s Windows 7 Slate Device Revealed by Steve Ballmer,” (<http://gizmodo.com/5442200/hps-windows-7-slate-device-revealed-by-steve-ballmer>), published Jan. 6, 2010, 8 pages.
- Smith, T., *RegHardware.com*, “First fondleslab found in 1970s kids TV sci-fi gem,” ([http://www.reghardware.com/2011/02/07/apple\\_ipad\\_tomorrow\\_people/print.html](http://www.reghardware.com/2011/02/07/apple_ipad_tomorrow_people/print.html)), published Feb. 7, 2011, 3 pages.
- The Internet Movie Database, “The Tomorrow People,” (<http://www.imdb.com/title/tt0069647/>), retrieved Oct. 11, 2011, 5 pages.
- Request for declaration of invalidity of design No. 001222905-0002, 6 pages, May 5, 2011.
- Electrovaya, “Electrovaya Launches Scribbler® SC4000 Series Tablet PC,” Jan. 9, 2008, 2 pages.
- Shanghaiist.com “ZOMG! Maker of Chinese iPad clone P88 to sue Apple for cloning its tablet! , ” <<http://shanghaiist.com/2010/01/29/p88-chinese-ipad-clone-sues-apple.php>>, Jan. 29, 2010, 5 pages.
- HP Compaq Tablet PC TC1000-TM5800 1GHz-10.4" TFT, CNET Reviews, [http://reviews.cnet.com/tablet-pcs/hp-compaq-tablet-pc/4505-1707\\_7-20627295.html](http://reviews.cnet.com/tablet-pcs/hp-compaq-tablet-pc/4505-1707_7-20627295.html). Downloaded Apr. 20, 2010, 13 pages.
- HP Compaq Tablet PC TC1000, <http://www.tc-one-thousand.com>. Downloaded Apr. 20, 2010, 2 pages.
- HP Compaq Tablet PC TC1000, <http://www.hardwarezone.com.au/reviews/view.php?cid=45&id=533&pg=2>. Downloaded Apr. 20, 2010, 1 page.
- Ballmer, S., *Spiegel Online*, “Bill Gates, Tablet PC: “Mira” war 2002 die große Vision des Microsoft-Gründers—kam aber wohl zu früh für den Markt,” (<http://www.spiegel.de/netzwelt/gadgets/bild-670427-46770.html>), product announced 2002, 4 pages.
- Ballmer, S., *Spiegel Online*, “Tablet PC,” (<http://www.spiegel.de/netzwelt/gadgets/0,1518,670427,00.html>), published Jan. 6, 2010, 6 pages.
- Cesweb, “MPIO,” ([http://www.cesweb.org/shared\\_files/innovations/innovations\\_2003/1616/mainphoto1616.jpg](http://www.cesweb.org/shared_files/innovations/innovations_2003/1616/mainphoto1616.jpg)), retrieved Feb. 24, 2012, 1 page.
- Chip Online, “VIA: Zwitter-PC für Schöngelster,” ([http://www.chip.de/ii/202812385\\_78f68afa8e.jpg](http://www.chip.de/ii/202812385_78f68afa8e.jpg)), published May 8, 2002, 1 page.
- Chip Online, “VIA: Zwitter-PC für Schöngelster,” ([http://www.chip.de/news/VIA-Zwitter-PC-fuer-Schoengeister\\_34204096.html](http://www.chip.de/news/VIA-Zwitter-PC-fuer-Schoengeister_34204096.html)), published May 8, 2002, 3 pages.
- Cnet, “Sony Clie,” (<http://reviews.cnet.com/sc/30733801-2-440-overview-1.gif>), retrieved Feb. 26, 2012, 1 page.
- Computer Museum, “Toshiba Dynapad T100X (1992),” (<http://www.computermuseum.li/Testpage/Toshiba-Dynapad-1992.htm>), product announced Nov. 1992, 1 page.
- De Herrera, C., *tabletpctalk*, “Tatung Tablet PC Picture,” (<http://www.tabletpctalk.com/pictures/tatung.shtml>), 2003, 3 pages.
- Dg2000, *Flickr*, “Sony CLIE PEG-TH55/E1,” (<http://www.flickr.com/photos/derekwilkinson/1323901259/>), photo taken Sep. 4, 2007, 2 pages.
- Digibarn Computer Museum, “Image of the GO tablet,” (<http://www.digibarn.com/collections/systems/go/DSCO2917.JPG>), retrieved Feb. 24, 2012, 1 page.
- Digibarn Computer Museum, “Image of the GO tablet,” (<http://www.digibarn.com/collections/systems/go/DSCO2942.JPG>), retrieved Feb. 24, 2012, 1 page.
- Falcone, J., *CNET*, “Digitalway MPIO-FL100 (128 MB),” ([http://reviews.cnet.com/mp3-players/digitalway-mpio-fl100-128/4505-6490\\_7-20763548.html](http://reviews.cnet.com/mp3-players/digitalway-mpio-fl100-128/4505-6490_7-20763548.html)), published Apr. 18, 2003, 8 pages.
- Gilder, G. “Digital Dark Horse—Newspapers,” *Forbes ASAP*, published Oct. 25, 1993, 2 pages.
- Gollwitzer, M., et al., *Chip Online*, “Microsofts CeBIT-Neuheiten 2002,” ([http://www.chip.de/artikel/c\\_druckansicht\\_9668117.html](http://www.chip.de/artikel/c_druckansicht_9668117.html)), published Mar. 13, 2002, 5 pages.
- Heimi, “MPIO,” (<http://www.heimi.net/FlashPlayer/MPIOFL100/pics/01a%20FL100Backlight.jpg>), retrieved Feb. 24, 2012, 1 page.
- Heimkino Markt, “CeBIT 2004 News: FLATRON Tablet—TFT-Monitor von LG mit Stifteingabemöglichkeit / Ideal für Industrie- und Designanwendungen,” (<http://www.heimkinomarkt.de/News/643/LG/CeBIT%202004%20News%20FLATRON%20TabletTFT%20-Monitor%20von/>), published Mar. 25, 2004, 3 pages.
- Justia, “*Apple v. Samsung Electronics Co. Ltd. et al.*, Filing: 166 Attachment: 10,” (<http://docs.justia.com/cases/federal/district-courts/california/candce/5:2011cv01846/239768/166/10.html>), dated Aug. 22, 2011, 2 pages.
- Justia, “*Apple v. Samsung Electronics Co. Ltd. et al.*, Filing: 166 Attachment: 11,” (<http://docs.justia.com/cases/federal/district-courts/california/candce/5:2011cv01846/239768/166/11.html>), dated Aug. 22, 2011, 2 pages.
- Justia, “*Apple v. Samsung Electronics Co. Ltd. et al.*, Filing: 166 Attachment: 14,” (<http://docs.justia.com/cases/federal/district-courts/california/candce/5:2011cv01846/239768/166/14.html>), dated Aug. 22, 2011, 2 pages.
- Justia, “*Apple v. Samsung Electronics Co. Ltd. et al.*, Filing: 166 Attachment: 15,” (<http://docs.justia.com/cases/federal/district-courts/california/candce/5:2011cv01846/239768/166/15.html>), dated Aug. 22, 2011, 2 pages.
- Justia, “*Apple v. Samsung Electronics Co. Ltd. et al.*, Filing: 166 Attachment: 16,” (<http://docs.justia.com/cases/federal/district-courts/california/candce/5:2011cv01846/239768/166/16.html>), dated Aug. 22, 2011, 2 pages.
- Justia, “*Apple v. Samsung Electronics Co. Ltd. et al.*, Filing: 166 Attachment: 9,” (<http://docs.justia.com/cases/federal/district-courts/california/candce/5:2011cv01846/239768/166/9.html>), dated Aug. 22, 2011, 2 pages.
- Justia, “*Apple v. Samsung Electronics Co. Ltd. et al.*, Filing: 456 Attachment: 5,” (<http://docs.justia.com/cases/federal/district-courts/california/candce/5:2011cv01846/239768/456/5.html>), dated Dec. 7, 2011, 3 pages.

- Justia, "Apple v. Samsung Electronics Co. Ltd. et al., Filing: 456 Attachment: 6," (<http://docs.justia.com/cases/federal/district-courts/california/candce/5:2011cv01846/239768/456/6.html>), dated Dec. 7, 2011, 3 pages.
- Justia, "Apple v. Samsung Electronics Co. Ltd. et al., Filing: 456 Attachment: 7," (<http://docs.justia.com/cases/federal/district-courts/california/candce/5:2011cv01846/239768/456/7.html>), dated Dec. 7, 2011, 3 pages.
- Long, B., Macworld, "PL500 LCD Pen Tablet System," (<http://images.macworld.com/images/legacy/2001/02/images/content/wacom.gif>), published Feb. 1, 2001, 1 page.
- Long, B., Macworld, "PL500 LCD Pen Tablet System," (<http://www.macworld.com/article/1938/2001/02/wacomtablet.html>), published Feb. 1, 2001, 1 page.
- Markoff, J., "A Media Pioneer's Quest: Portable Electronic Newspapers," *The New York Times*, published Jun. 28, 1992, p. 11.
- Microsoft, "Bill Gates Highlights the Magic of Consumer Software and the Coming Digital Decade at Consumer Electronics Show," (<http://www.microsoft.com/presspass/press/2002/jan02/01-07ces2002keynotepr.mspx>), published Jan. 7, 2002, 3 pages.
- Monitor4u, "Flatron L1530TM," (<http://www.monitor4u.co.kr/review/review4u/content.asp?idx=580&leftcode=16>), published Mar. 17, 2004, 7 pages.
- Old Computers, "Toshiba T100-X Dynapad," (<http://www.old-computers.com/museum/computer.asp?st=1&c=801>), product released 1993, 2 pages.
- Oullette, D., "Dynapad weighs in at just 3.3 pound," *Info World*, vol. 15, Issue 31, Aug. 2, 1993, 2 pages.
- PDA Museum, "Sony Clie," ([http://www.pdamuseum.com/sony\\_clie/clie\\_pics/th-55j2.jpg](http://www.pdamuseum.com/sony_clie/clie_pics/th-55j2.jpg)), retrieved Feb. 26, 2012, 1 page.
- Presstime, "Life After Viewtron? Enter the E-Paper," *Presstime*, published Aug. 1993, p. 18-19.
- Scrapin\_frame, s10forum, "fs: 2 lg flatron tablet monitors," (<http://www.s10forum.com/forum/f296/fs-2-lg-flatron-tablet-monitors-483210/>), published Nov. 27, 2011, 5 pages.
- Sony, "The Sony CLIÉ PEG-TH55 heralds The Next Generation of Digital Organisers," (<http://dpnow.com/595.html>), published Feb. 13, 2004, 2 pages.
- Tatung, "Comdex Fall 2003 Tatung Booth# 10248," (<http://www.tatung.com/en/news/comdex2003.htm>), published Nov. 17, 2003, 2 pages.
- Toshiba, "Dynapad T100X," product announced Nov. 1992, 2 pages.
- Wacom, "Company History, PL-500," (<http://wacom.jp/en/company/history/>), product released Jun. 2000, 1 page.
- Wikimedia, "MPIO," ([http://upload.wikimedia.org/wikipedia/commons/e/e9/M-Pio\\_FL100.jpg](http://upload.wikimedia.org/wikipedia/commons/e/e9/M-Pio_FL100.jpg)), retrieved Feb. 24, 2012, 1 page.
- Wiley, M., IGN, "MPIO FL100 Review," (<http://uk.ign.com/articles/2003/01/21/mpio-fl100-review>), published Jan. 21, 2003, 4 pages.
- Axiotron, Macworld Expo 2009 Wrap-Up, 4 pages, <http://www.axiotron.com/index.php?id=events>.
- Arrington, Michael, CrunchPad: The Launch Prototype, 17 pages, <http://techcrunch.com/2009/06/03/crunchpad-the-launch-prototype/>, Jun. 3, 2009.
- Arrington, Michael, TechCrunch Tablet Update: Prototype B, 25 pages, <http://techcrunch.com/2009/01/19/techcrunch-tablet-update-prototype-b/>, Jan. 19, 2009.
- Chubb, Daniel, Amtek's iTablet T221: new to the tablet and UMPC scene, 4 pages, <http://www.product-reviews.net/2008/01/11/amteks-itablt-t221-new-to-the-tablet-and-umpc-scene/>, Jan. 11, 2008.
- Coldeway, Devin, TechCrunch Tablet makes an early debut, 26 pages, <http://www.crunchgear.com/2009/04/09/crunchtablet-hits-the-net-a-little-early/>, Apr. 9, 2009.
- Davies, Chris, Are Dell planning a keyboard-less UMPC?, 15 pages, <http://www.slashgear.com/are-dell-planning-a-keyboard-less-umpc-096130/>, Jul. 9, 2007.
- Dunn, Jason, Ultra-Portable Concept PC Shown at WinHEC 2005, 1 page, <http://www.digitalhomethoughts.com/news/show/27459/ultra-portable-concept-pc-shown-at-winhec-2005.html>, Apr. 26, 2005.
- Lerg, Andreas, Billig-Tablet-Computer vom Grabbeltisch, 2 pages, [http://digitalleben.t-online.de/tablet-pc-von-jay-tech-fuer-140-euro-bei-rossmann/id\\_43326132/index](http://digitalleben.t-online.de/tablet-pc-von-jay-tech-fuer-140-euro-bei-rossmann/id_43326132/index), Nov. 3, 2010.
- Loyola, Roman, Macworld Video: Axiotron Modbook Pro first look, 4 pages, <http://www.macworld.com/article/137878/2009/01/mwvodcast86.html>, Jan. 5-9, 2009.
- Newgadgets.de, Mysteriöser Tablet-PC?, 6 pages, <http://www.newgadgets.de/6072/mysteriöser-tablet-pc/>, Nov. 10, 2009.
- Radioshack, Motorola DEFY with MOTOBLUR Black, 1 page, [http://radioshackwireless.com/eCommerce/SpecialOffer.aspx?cid=25578\\_47f08265355e4a8a92dcd57eed6c6c69](http://radioshackwireless.com/eCommerce/SpecialOffer.aspx?cid=25578_47f08265355e4a8a92dcd57eed6c6c69).
- Receipt of an Invalidity Application Notification to the Holder of the Contested RCD, Community Design No. 001222905-0002, File No. ICD 8453, 1 page, mailed May 23, 2011.
- Sierra, Amtek Releases the iTablet T221 Tablet PC, Laptops Arena, 5 pages, <http://www.laptopsarena.com/amtek-releases-the-itablt-t221-tablet-pc/>, Dec. 22, 2007.
- Sze, Amtek has five iTablets for the Computex 2010, iTech News Net, 13 pages, <http://www.itechnews.net/2010/05/27/amtek-has-five-itablt-for-the-computex-2010/>.
- Topolsky, Joshua, Amtek intros the iTablet T221 UMPC, 3 pages, <http://www.engadget.com/2007/12/18/amtek-intros-the-itablt-t221-umpc/>, Dec. 18, 2007.
- Wikipedia, Axiotron Modbook, 4 pages, [http://en.wikipedia.org/wiki/Axiotron\\_Modbook](http://en.wikipedia.org/wiki/Axiotron_Modbook).
- Wikipedia, Datei:Modbook pro.jpg, 4 pages, [http://de.wikipedia.org/wiki/Datei:Modbook\\_pro.jpg](http://de.wikipedia.org/wiki/Datei:Modbook_pro.jpg), Feb. 21, 2009.
- Wikipedia, Datei:VIA Tablet PC Reference Design.jpg, 3 pages, [http://de.wikipedia.org/wiki/Datei:VIA\\_Tablet\\_PC\\_Reference\\_Design.jpg](http://de.wikipedia.org/wiki/Datei:VIA_Tablet_PC_Reference_Design.jpg), Mar. 10, 2009.
- Wikipedia, Dynabook, 2 pages, <http://de.wikipedia.org/wiki/Dynabook>, last updated Apr. 2, 2011.
- Wikipedia, Tablet-Computer, 3 pages, <http://de.wikipedia.org/wiki/Tablet-Computer>, Apr. 7, 2011.
- Wikipedia, Tablet-PC, 2 pages, <http://de.wikipedia.org/wiki/Tablet-PC>, Apr. 14, 2011.
- "A Day in the Life of InfoLink," Stanford University Libraries, published May 1, 2003.
- "The Oracle: The Personal Computer of the Year 2000," Stanford University Libraries.
- "The Organizer: The Personal Computer of the Year 2000," Stanford University Libraries.
- Aliexpress.com, "WACOM PL-500 15" LCD Tablet Mint," (<http://www.aliexpress.com/product-fm/430172068-WACOM-PL-500-15-LCD-Tablet-Mint-Worldwide-Free-Shipping-wholesalers.html>), accessed Nov. 14, 2011, 3 pages.
- Amazon.com, "Digitalway MPIO FL100 128 MB MP3 Player" (<http://www.amazon.com/Digitalway-MPIO-FL100-128-Player/dp/B00008V6NI>), accessed Nov. 17, 2011, 7 pages.
- Amazon.com, "Whirlpool Gold : GH7208XRS 2.0 cu. ft. Velos Speedcook Over the Range Microwave Oven," (<http://www.amazon.com/Whirlpool-Gold-GH7208XRS-Speedcook-Microwave/dp/B000ZIPHM8>), accessed May 23, 2012, 5 pages.
- AndroidTabletFanatic.com "16 Old-Skool Tablets Rocking it Before the iPad," (<http://www.androidtabletfanatic.com/android-tablet-news/16-old-skool-tablets-rocking-it-before-the-ipad/>), published May 16, 2011, 10 pages.
- Blandford, "Nokia N92 Preview," ([http://www.allaboutsymbian.com/features/item/Nokia\\_N92\\_Preview.php](http://www.allaboutsymbian.com/features/item/Nokia_N92_Preview.php)), published Nov. 23, 2005, 10 pages.
- Block, "Olympus @ CES Hands-on with the m:robe MR-500i and MR-100," Engadget.com, (<http://www.engadget.com/2005/01/10/olympus-ces-hands-on-with-the-m-robe-mr-500i-and-mr-100/>), published Jan. 10, 2005, 3 pages.
- Block, "Philips PET830 and PET1030 media players," Engadget, (<http://www.engadget.com/2006/11/29/philips-pet830-and-pet1030-media-players/>), published Nov. 29, 2006, 2 pages.
- Boggs, "Electrovaya Scribbler SC4000 Review," Tablet PC Review, (<http://www.tabletpreview.com/default.asp?newsID=1130>), published Apr. 15, 2008, 6 pages.
- Cell Phones.About.com, "More pictures of the LG KG800," ([http://cellphones.about.com/library/b1-pi-lg\\_kg800.htm](http://cellphones.about.com/library/b1-pi-lg_kg800.htm)), accessed Feb. 13, 2012, 1 page.

- Clarke, "Newspad by Authur C. Clarke from 2001: A Space Odyssey," (<http://www.technovelgy.com/ct/content.asp?Bnum=529>), published 1968, 3 pages.
- Computex.biz, "Tatung Tablet PC," ([http://www.computex.biz/tatung/Default.aspx?pagetype=ProductDetail&pdt\\_id=36&cid=3...](http://www.computex.biz/tatung/Default.aspx?pagetype=ProductDetail&pdt_id=36&cid=3...)), accessed Nov. 4, 2011, 3 pages.
- Fidler, "Mediamorphosis: Understanding New Media," pp. 220, 222-225, and 236-242, Pine Forge Press, Thousand Oaks, CA (1997).
- Fidler, "Predicting e-readers in 1981: A look back at the future," Associated Press Managing Editors, (<http://www.snd.org/2010/01/predicting-e-readers-in-1981-a-look-back-at-the-future/>) published Jan. 14, 2010, 5 pages.
- Flatley, "BoEye MID700 unveiled with Android OS, vaguely familiar form factor," Engadget.com, ([http://engadget.com/2009/11/11/boeye-mid700-unveiled-with-android-os-vaguely-familiar-form-factor/?icid=eng\\_Dubai\\_art](http://engadget.com/2009/11/11/boeye-mid700-unveiled-with-android-os-vaguely-familiar-form-factor/?icid=eng_Dubai_art)), published Nov. 11, 2009, 2 pages.
- Flickr.com, "Apple Graphics Tablet" ([http://farm3.static.flickr.com/2691/4126733086\\_b24c987b0e\\_o.jpg](http://farm3.static.flickr.com/2691/4126733086_b24c987b0e_o.jpg)), accessed Nov. 15, 2011, 1 page.
- Fried, "Live-blogging Steve Ballmer," CNET, ([http://www.cnet.com/8301-31045\\_1-10426723-269.html?tag=mnncol%3btxt](http://www.cnet.com/8301-31045_1-10426723-269.html?tag=mnncol%3btxt)), published Jan. 6, 2010, 6 pages.
- Ganapati, "Hands on With the JooJoo, Formerly Known as CrunchPad," (<http://www.wired.com/gadgetlab/2009/12/hands-on-joo-joo-crunchpad/all/1>), published Dec. 7, 2009, 3 pages.
- Itbusiness.ca, "Microsoft Mira eHome Wireless Smart Display," ([http://www.itbusiness.ca/images/articles/Jun10/clip\\_image003\\_0087.jpg](http://www.itbusiness.ca/images/articles/Jun10/clip_image003_0087.jpg)), accessed Nov. 15, 2011, 1 page.
- iTechNews.net, "Samsung K3 MP3 Player," (<http://www.itechnews.net/2006/12/02/samsung-k3-mp3-player/>), published Dec. 2, 2006, 9 pages.
- Justia, "*Apple v. Samsung Electronics Co. Ltd. et al.*, Filing: 166 Attachment: 2," (<http://docs.justia.com/cases/federal/district-courts/california/candce/5:2011cv01846/239768/166/2.html>), dated Aug. 22, 2011.
- Justia, "*Apple v. Samsung Electronics Co. Ltd. et al.*, Filing: 166 Attachment: 3," (<http://docs.justia.com/cases/federal/district-courts/california/candce/5:2011cv01846/239768/166/3.html>), dated Aug. 22, 2011.
- Justia, "*Apple v. Samsung Electronics Co. Ltd. et al.*, Filing: 166 Attachment: 4," (<http://docs.justia.com/cases/federal/district-courts/california/candce/5:2011cv01846/239768/166/4.html>), dated Aug. 22, 2011.
- Justia, "*Apple v. Samsung Electronics Co. Ltd. et al.*, Filing: 943 Attachment: 5," (<http://docs.justia.com/cases/federal/district-courts/california/candce/5:2011cv01846/239768/943/5.html>), dated May 18, 2012, 2 pages.
- Knowyourmobile.com, "LG KG800 technical specifications," ([http://www.knowyourmobile.com/lg/lgkg800chocolate/lgkg800reviews/137/1g\\_kg800\\_technical\\_specifications.html](http://www.knowyourmobile.com/lg/lgkg800chocolate/lgkg800reviews/137/1g_kg800_technical_specifications.html)), published Mar. 9, 2007, 3 pages.
- McCracken, "The iPad. Of 2000. As Envisioned in 1988," Technologizer.com, (<http://technologizer.com/2010/05/14/the-ipad-of-2000-as-envisioned-in-1988/>), published May 14, 2010, 12 pages.
- Mel et al., "Tablet: Personal Computer in the Year 2000," *Communications of the ACM* 31:638-646, ACM (Jun. 1988).
- Miles, "56 Apple iTablet concept designs: Could any be real?," (<http://www.pocket-lint.com/news/26500/56-apple-itablenet-concept-designs>), published Aug. 21, 2009, 14 pages.
- Miller, "MSI shows off 10-inch Android tablet running new Tegra chipset," Engadget.com, (<http://www.engadget.com/2010/01/08/msi-shows-off-10-inch-android-tablet-running-new-tegra-chipset/>), published Jan. 8, 2010, 11 pages.
- Mobilegazette.com, "Nokia N92," (<http://www.mobilegazette.com/nokia-n92-051102.htm>), published Nov. 2, 2005, 2 pages.
- Needleman, "Hands-on with the JooJoo," ([http://news.cnet.com/8301-19882\\_3-10410960-250.html](http://news.cnet.com/8301-19882_3-10410960-250.html)), CNET News, published Dec. 7, 2009, 31 pages.
- Newlaunches.com, "PIDION BM-200 sleek Windows CE PDA phone from Bluebird," ([http://www.newlaunches.com/archives/pidion\\_bm200\\_sleek\\_windows\\_ce\\_pda\\_phone\\_from\\_bluebird.php](http://www.newlaunches.com/archives/pidion_bm200_sleek_windows_ce_pda_phone_from_bluebird.php)), published Dec. 15, 2005, 3 pages.
- NYTimes.com, "iRiver U10 (1GB)," (<http://www.nytimes.com/technology/personaltech/music-players/iRiver-U10-1GB-/31432102.html>), published Feb. 12, 2012, 2 pages.
- Patel, "The HP Slate" (<http://www.engadget.com/2010/01/06/the-hp-slate/>), Engadget.com, published Jan. 6, 2010, 4 pages.
- PDADB.net, "Acer n20 Specs," (<http://pdadb.net/index.php?m=specs&id=257&c=acern20>), published May 13, 2005, 3 pages.
- PDADB.net, "Casio Cassiopeia IT-10 M20BR Specs," ([http://pdadb.net/index.php?m=specs&id=95&c=casio\\_cassiopeia\\_it-10\\_m20br](http://pdadb.net/index.php?m=specs&id=95&c=casio_cassiopeia_it-10_m20br)), published Dec. 30, 2004, 3 pages.
- PDADB.net, "Dell Axim X3 Basic Specs," ([http://pdadb.net/index.php?m=specs&id=81&c=dell\\_axim\\_x3\\_basic](http://pdadb.net/index.php?m=specs&id=81&c=dell_axim_x3_basic)), published Dec. 30, 2004, 3 pages.
- PDADB.net, "MiTAC Mio 338 Plus Digi-Walker Specs," ([http://pdadb.net/index.php?m=specs&id=60&c=mitac\\_mio\\_338\\_plus\\_digi-walker](http://pdadb.net/index.php?m=specs&id=60&c=mitac_mio_338_plus_digi-walker)), published Dec. 25, 2004, 3 pages.
- PDADB.net, "O2 XDA (HTC Wallaby) Specs," ([http://pdadb.net/index.php?m=specs&id=117&c=o2\\_xda\\_htc\\_wallaby](http://pdadb.net/index.php?m=specs&id=117&c=o2_xda_htc_wallaby)), published Feb. 3, 2005, 3 pages.
- PDADB.net, "Sony Clie PEG-SL10 / PEG-SL10U / PEG-SL10E Specs," ([http://pdadb.net/index.php?m=specs&id=1198&c=sony\\_clie\\_peg-sl10\\_peg-sl10e](http://pdadb.net/index.php?m=specs&id=1198&c=sony_clie_peg-sl10_peg-sl10e)), published Mar. 4, 2008, 3 pages.
- PDADB.net, "Sony Clie PEG-T665C / PEG-T675C Specs," ([http://pdadb.net/index.php?m=specs&id=1192&c=sony\\_clie\\_peg-t665c\\_peg-t675c](http://pdadb.net/index.php?m=specs&id=1192&c=sony_clie_peg-t665c_peg-t675c)), published Mar. 4, 2008, 3 pages.
- PDADB.net, "Toshiba Genio e330 Specs," ([http://pdadb.net/index.php?m=specs&id=29&c=toshiba\\_genio\\_e330](http://pdadb.net/index.php?m=specs&id=29&c=toshiba_genio_e330)), published Dec. 9, 2004, 3 pages.
- PDADB.net, "Toshiba Genio e570 Specs," ([http://pdadb.net/index.php?m=specs&id=229&c=toshiba\\_genio\\_e570](http://pdadb.net/index.php?m=specs&id=229&c=toshiba_genio_e570)), published May 4, 2006, 3 pages.
- Perton, "Samsung digital picture frame stores pics, movies, music," Engadget, (<http://www.engadget.com/2006/03/09/samsung-digital-picture-frame-stores-pics-movies-music/>), published Mar. 9, 2006, 1 page.
- Ricker, "LG's KE850 PRADA official: iPhone says, wha?," Engadget.com, (<http://www.engadget.com/2007/01/18/lgs-ke850-prada-official-iphone-says-wha/>), published Jan. 18, 2007, 4 pages.
- Ricker, "The Pidion BM-200: it's time to move to Seoul," (<http://www.engadget.com/2005/10/04/the-pidion-bm-200-its-time-to-move-to-seoul/>), Engadget.com, published Oct. 4, 2005, 4 pages.
- Rojas, "Hands-on with the Nokia N92," Engadget.com, (<http://www.engadget.com/2005/12/01/hands-on-with-the-nokia-n92/>), published Dec. 1, 2005, 4 pages.
- S. Dimitris, "Pidion BM200 Smartphone," PDASNews, ([www.pdasnews.com/articles/pidion-bm200-smartphone.html](http://www.pdasnews.com/articles/pidion-bm200-smartphone.html)), accessed Mar. 7, 2012, 2 pages.
- Salestores.com, "LG L1530TM Tablet LCD Monitor," (<http://salestores.com/lgl1530tm.html>), accessed Nov. 17, 2011, 2 pages.
- Stevens, "ICD confirms Vega tablet, includes Android 2.0, Tegra processor, our hearts," Engadget.com, (<http://www.engadget.com/2009/11/13/icd-confirms-vega-tablet-includes-android-2-0-tegra-processor/>), published Nov. 13, 2009, 2 pages.
- TechLahore.com, "China's Boeye releases 'Apple tablet' before Apple can—TechLahore@GITEX," (<http://www.techlahore.com/2009/11/08/chinas-boeye-releases-apple-tablet-before-apple-can-techlahoregitex/>), published Nov. 8, 2009, 3 pages.
- The Apple Collection, "Apple PowerPad G3 Pro—Apple Design & Prototype," ([www.theapplecollection.com/design/macdesign/Apple\\_PowerPad\\_G3\\_Pro.shtml](http://www.theapplecollection.com/design/macdesign/Apple_PowerPad_G3_Pro.shtml)), updated Oct. 31, 2011, 2 pages.
- The Apple Collection, "MyPal," ([www.theapplecollection.com/design/macdesign/MyPal.shtml](http://www.theapplecollection.com/design/macdesign/MyPal.shtml)), updated Oct. 31, 2011, 2 pages.
- The Apple Collection, "PowerPad," ([www.theapplecollection.com/design/macdesign/PowerPad2.shtml](http://www.theapplecollection.com/design/macdesign/PowerPad2.shtml)), updated Oct. 31, 2011, 2 pages.



Tingle, "ICD Vega Android 2.0 Tablet Available in 2010 [Vega Android Tablet, Nvidia Tegra Chipset Touting 'Low Cost Tablet' Confirmed]," (<http://nexus404.com/Blog/2009/11/13/icd-vega-android-2-0-tablet-available-in-2010-vega-android-tablet-nvidia-tegra-chipset-touting-low-cost-tablet-confirmed/>), TFTS, published Nov. 13, 2009, 2 pages.

To, "Boeye MID 700 tablet runs Android with Apple-esque aesthetics," Pocketables.com, (<http://www.pocketables.net/2009/11/boeye-mid-700-tablet-runs-android-with-applesque-aesthetics.html>), published Nov. 12, 2009, 2 pages.

Topolsky, "Leaked pics of the CrunchPad make it look dangerously close to availability," Engadget.com, (<http://www.engadget.com/2009/04/09/leaked-pics-of-the-crunchpad-make-it-look-dangerously-close-to-a/>), published Apr. 9, 2009, 2 pages.

Topolsky, "NVIDIA CEO shows off mystery tablet, makes zero statements about mystery tablet," Engadget.com, (<http://www.engadget.com/2009/11/09/nvidia-ceo-shows-off-mystery-tablet-makes-zero-statements-about/>), published Nov. 9, 2009, 1 page.

WebdesignerDepot.com, "The Evolution of Cell Phone Design Between 1983-2009" (<http://www.webdesignerdepot.com/2009/05/the-evolution-of-cell-phone-design-between-1983-2009/>), accessed May 6, 2011, 56 pages.

Weiss, "Hands-On: NVIDIA Tegra Tablet Prototyp ICD Vega (Video)," (<http://de.engadget.com/2009/11/28/hands-on-nvidia-tegra-tablet-prototyp-icd-vega-video/>), Engadget German, published Nov. 28, 2009, 13 pages.

Wikipedia.org, "CLIE," (<http://en.wikipedia.org/wiki/CLIE>), last modified Feb. 12, 2011, 3 pages.

Wikipedia.org, "E-Ten" (<http://en.wikipedia.org/wiki/E-TEN>), last modified Dec. 15, 2010, 2 pages.

Wikipedia.org, "File:LG KE850 Prada Hauptmenü.jpg," ([http://en.wikipedia.org/wiki/File:LG\\_KE850\\_Prada\\_Hauptmen%C3%BC.jpg](http://en.wikipedia.org/wiki/File:LG_KE850_Prada_Hauptmen%C3%BC.jpg)), accessed Feb. 12, 2012, 4 pages.

Wikipedia.org, "iPAQ" (<http://en.wikipedia.org/wiki/IPAQ>), last modified May 4, 2011, 7 pages.

Wikipedia.org, "Pocket viewer," ([http://en.wikipedia.org/wiki/Pocket\\_viewer](http://en.wikipedia.org/wiki/Pocket_viewer)), last modified Apr. 10, 2011, 4 pages.

Wikipedia.org, "Zire Handheld" ([http://en.wikipedia.org/wiki/Zire\\_Handheld](http://en.wikipedia.org/wiki/Zire_Handheld)), last modified Dec. 11, 2010, 4 pages.

www.engadget.com; Jan. 22, 2010; "BeBook Neo"; captured Apr. 26, 2010.

www.pcworld.com; Jan. 7, 2010; "Que proReader"; captured Apr. 26, 2010.

www.pcworld.com; Jan. 9, 2010; "COOL-ER"; captured Apr. 26, 2010.

\* cited by examiner

*Primary Examiner* — Barbara Fox

*Assistant Examiner* — Dana K Weiland

(74) *Attorney, Agent, or Firm* — Sterne, Kessler, Goldstein & Fox P.L.L.C.

(57)

**CLAIM**

The ornamental design for a portable display device, as shown and described.

**DESCRIPTION**

FIG. 1 is a bottom front perspective view of a portable display device showing our new design;

FIG. 2 is an enlarged view of a portion of the portable display device shown in FIG. 1;

FIG. 3 is a bottom rear perspective view thereof;

FIG. 4 is a front view thereof;

FIG. 5 is a rear view thereof;

FIG. 6 is a top plan view thereof;

FIG. 7 is a left side view thereof;

FIG. 8 is a right side view thereof; and,

FIG. 9 is a bottom plan view thereof.

The shade lines in the figures show contour and not surface ornamentation.

The dashed broken lines in the figures show portions of the portable display device that form no part of the claimed design.

The broken lines in the figures show portions of the portable display device which form no part of the claimed design.

The dot-dash broken lines in the figures show boundaries that form no part of the claimed design.

**1 Claim, 6 Drawing Sheets**

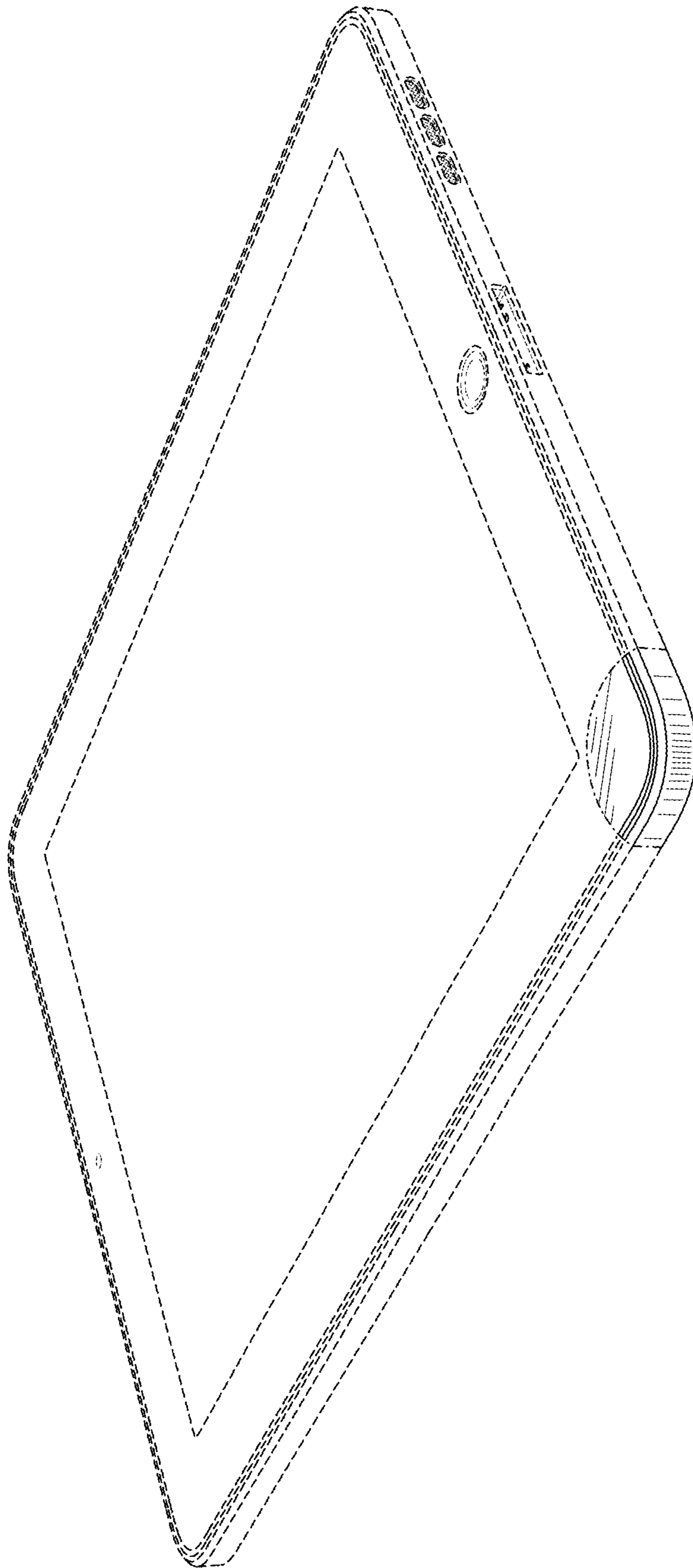


Fig. 1

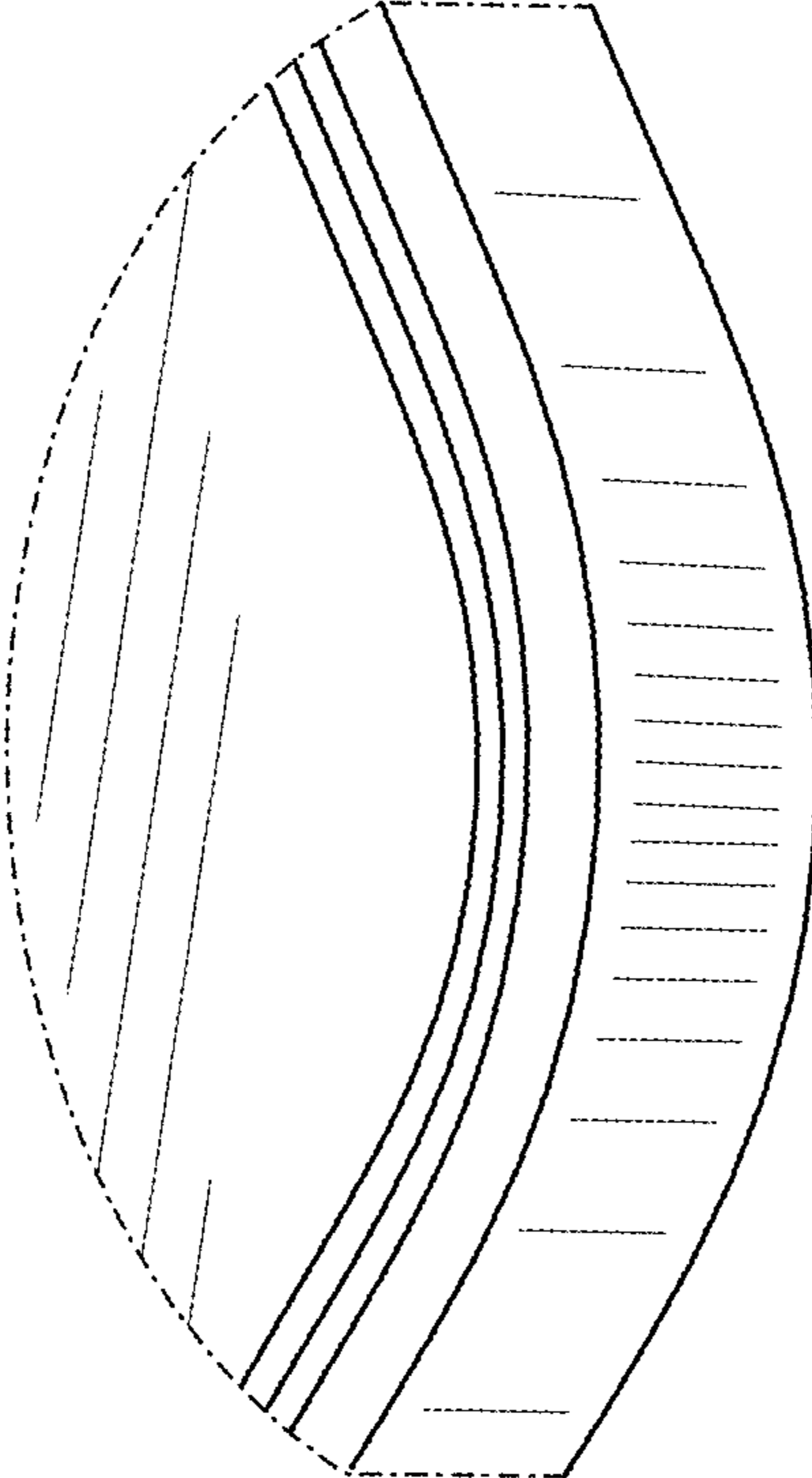


Fig. 2

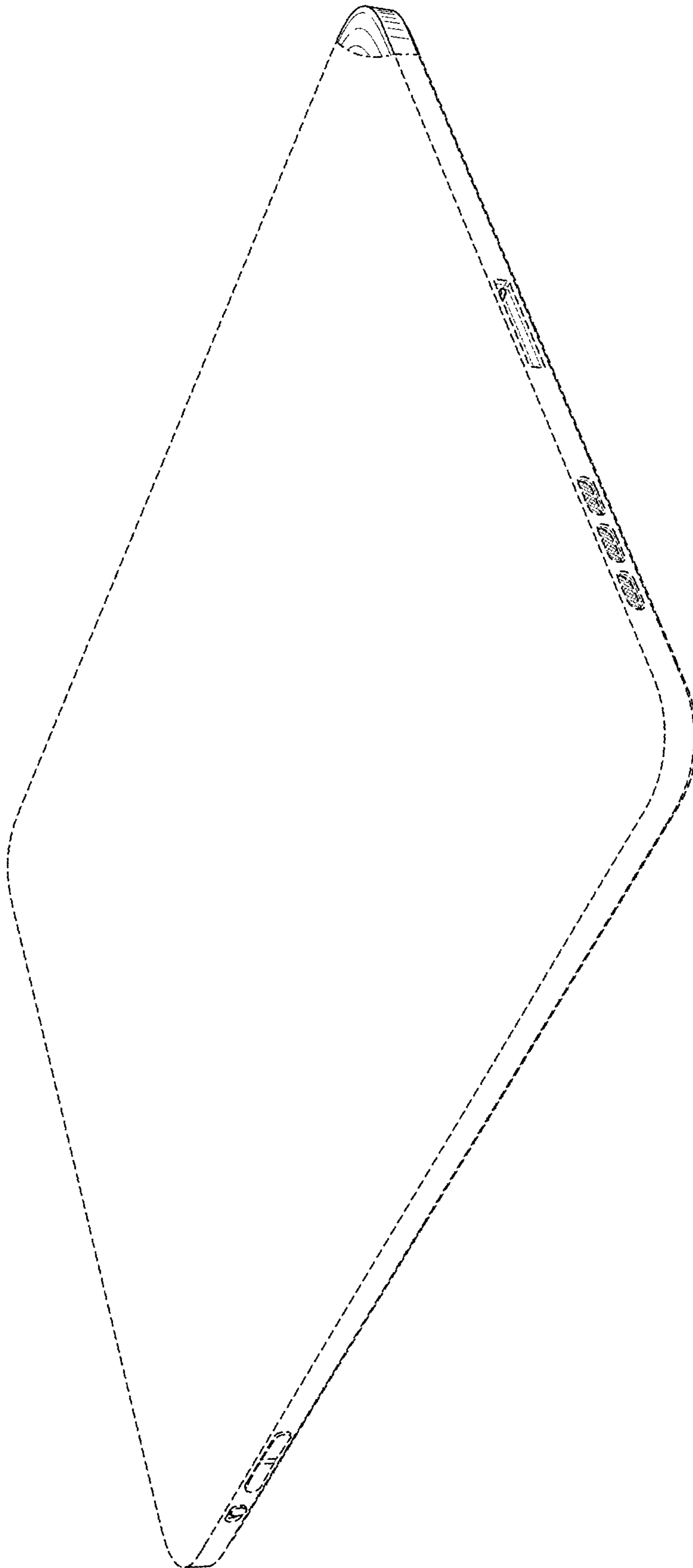
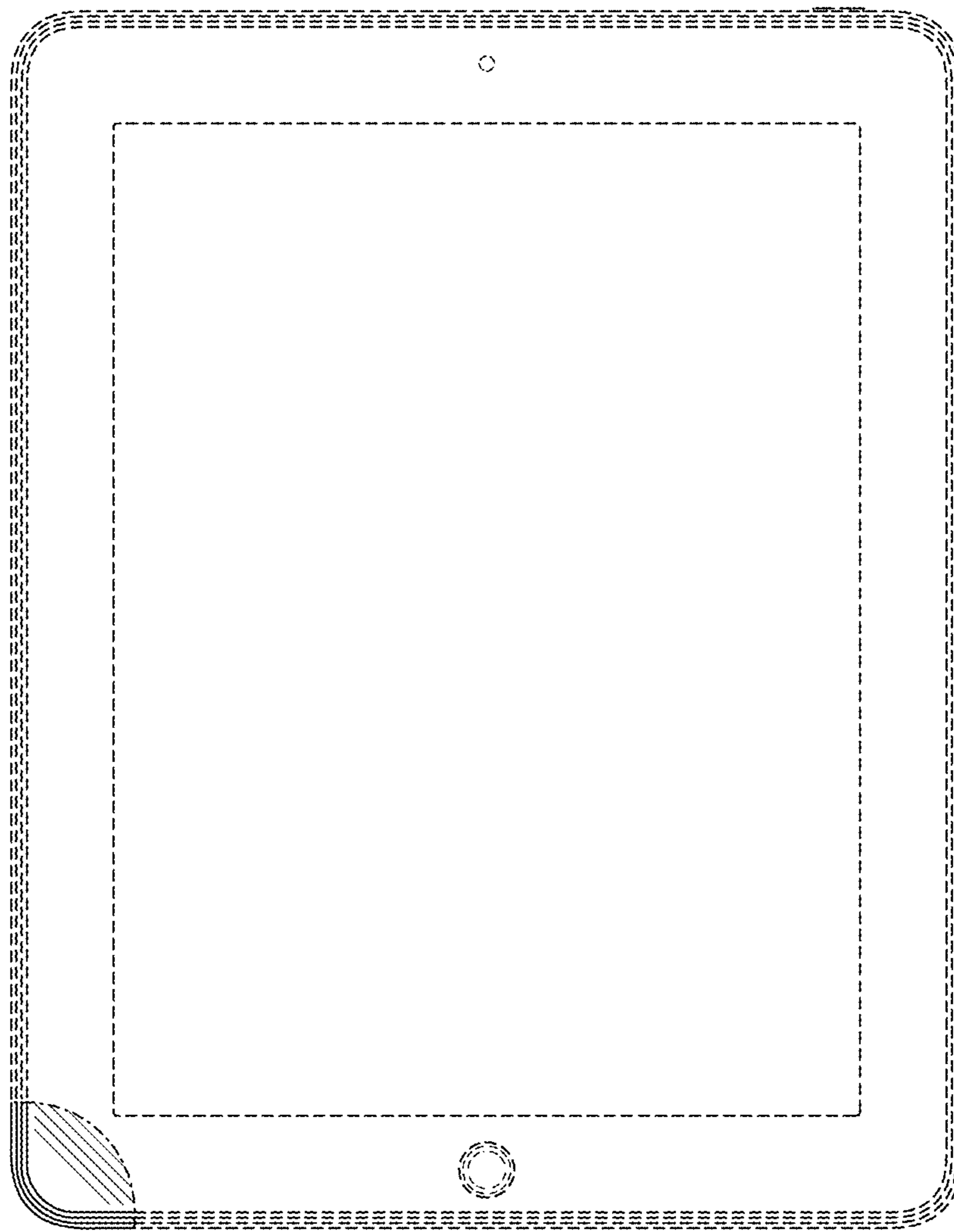
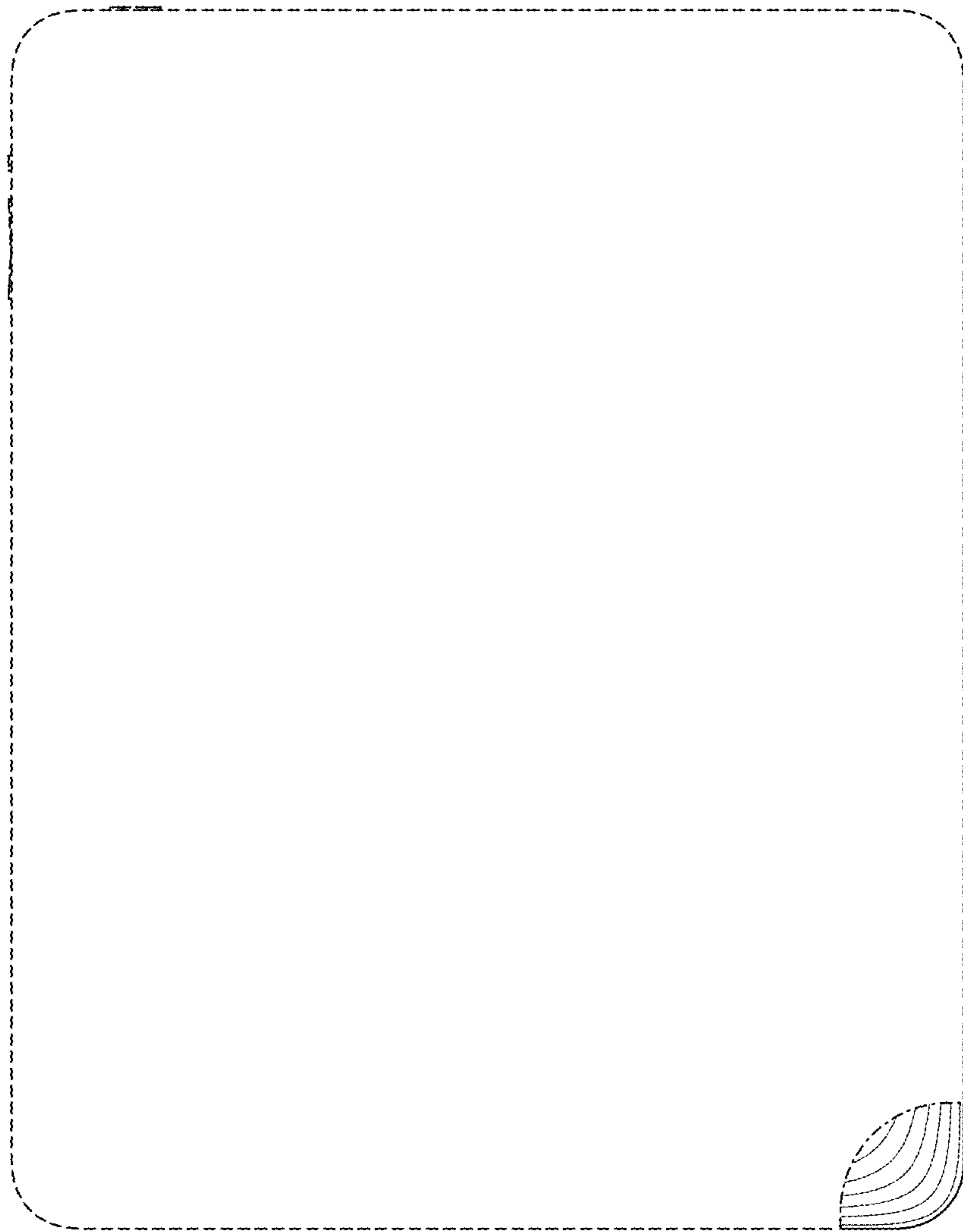


Fig. 3



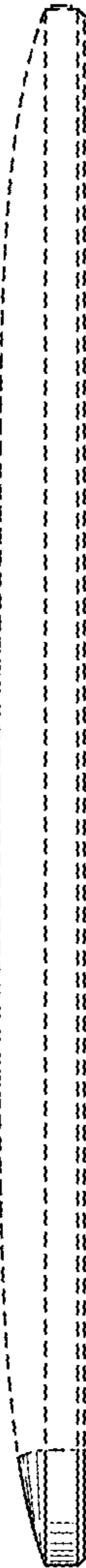
*Fig. 4*



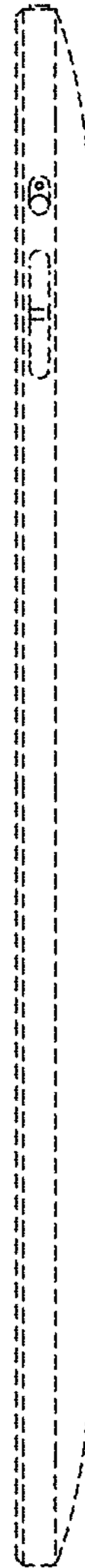
*Fig. 5*



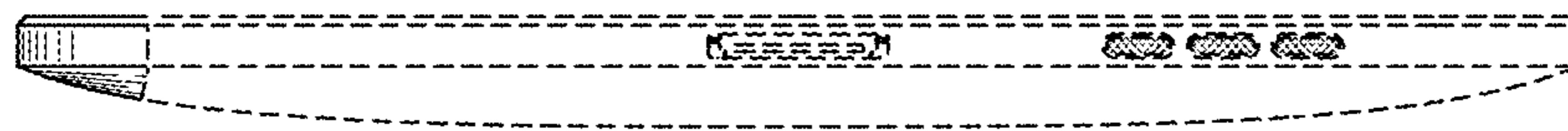
*Fig. 6*



*Fig. 7*



*Fig. 8*



*Fig. 9*

UNITED STATES PATENT AND TRADEMARK OFFICE  
**CERTIFICATE OF CORRECTION**

PATENT NO. : D800,719 S  
APPLICATION NO. : 29/553430  
DATED : October 24, 2017  
INVENTOR(S) : Akana et al.

Page 1 of 1

It is certified that error appears in the above-identified patent and that said Letters Patent is hereby corrected as shown below:

On the Title Page

In the Description Section, delete the following paragraph:

“The broken lines in the figures show portions of the portable display device which form no part of the claimed design”

Signed and Sealed this  
Ninth Day of January, 2018



Joseph Matal

*Performing the Functions and Duties of the  
Under Secretary of Commerce for Intellectual Property and  
Director of the United States Patent and Trademark Office*