



US00D800717S

(12) **United States Design Patent** (10) **Patent No.:** **US D800,717 S**
Hillman et al. (45) **Date of Patent:** **** Oct. 24, 2017**

(54) **USER INTERFACE DEVICE**
(71) Applicant: **Crown Equipment Corporation**, New Bremen, OH (US)
(72) Inventors: **Gregg E. Hillman**, Sidney, OH (US); **Steven R. Pulskamp**, New Bremen, OH (US); **Adam M. Ruppert**, Wapakoneta, OH (US)
(73) Assignee: **Crown Equipment Corporation**, New Bremen, OH (US)

D432,934 S 10/2000 Simbeck et al.
D506,195 S * 6/2005 Leveridge D14/336
D525,541 S * 7/2006 Barton D10/50
D529,493 S 10/2006 Ogasawara
D531,526 S * 11/2006 Barton D10/50
D549,238 S 8/2007 Chikuma
D551,255 S 9/2007 Chikuma et al.
D622,245 S * 8/2010 Okada D14/138 G
D627,780 S * 11/2010 Kuroda D14/346
D629,384 S 12/2010 Lee
D672,666 S * 12/2012 Rhodes F24F 11/0086
D10/50
D674,387 S * 1/2013 Avery D14/341
D692,882 S * 11/2013 Lakraa D14/138 G
D741,952 S * 10/2015 Nokuo D14/401
D746,811 S * 1/2016 Avery D14/341
D766,204 S * 9/2016 Takahata D14/159

(**) Term: **15 Years**

(21) Appl. No.: **29/533,497**

(22) Filed: **Jul. 17, 2015**

(51) **LOC (10) Cl.** **14-02**

(52) **U.S. Cl.**
USPC **D14/341**

(58) **Field of Classification Search**
USPC D14/341-347, 137, 138 R, 138 AA, D14/138 C, 138 G, 496, 203.1, 203.3, D14/203.4, 203.7, 129, 130, 147, 218, D14/248, 389, 388, 426, 420, 440; D10/65, 104.1, 50, 103; D18/6, 7; D21/324, 329, 330; 455/556.1, 556.2, 455/566, 575.1, 90.3; 379/433.04, 379/433.01, 433.06, 916; 345/173, 901, 345/905; 361/679.26, 670.3, 679.55, 361/679.56
CPC H04M 1/00; H04M 11/066; H04M 1/2478; H04M 1/72519; H04M 2201/38; H04M 2250/22; G06F 15/00
See application file for complete search history.

(56) **References Cited**

U.S. PATENT DOCUMENTS

D344,684 S * 3/1994 Metz D10/103
D363,468 S * 10/1995 Mieki D14/342

* cited by examiner

Primary Examiner — Garth Rademaker

Assistant Examiner — Katie Stofko

(74) *Attorney, Agent, or Firm* — Stevens & Showalter LLP

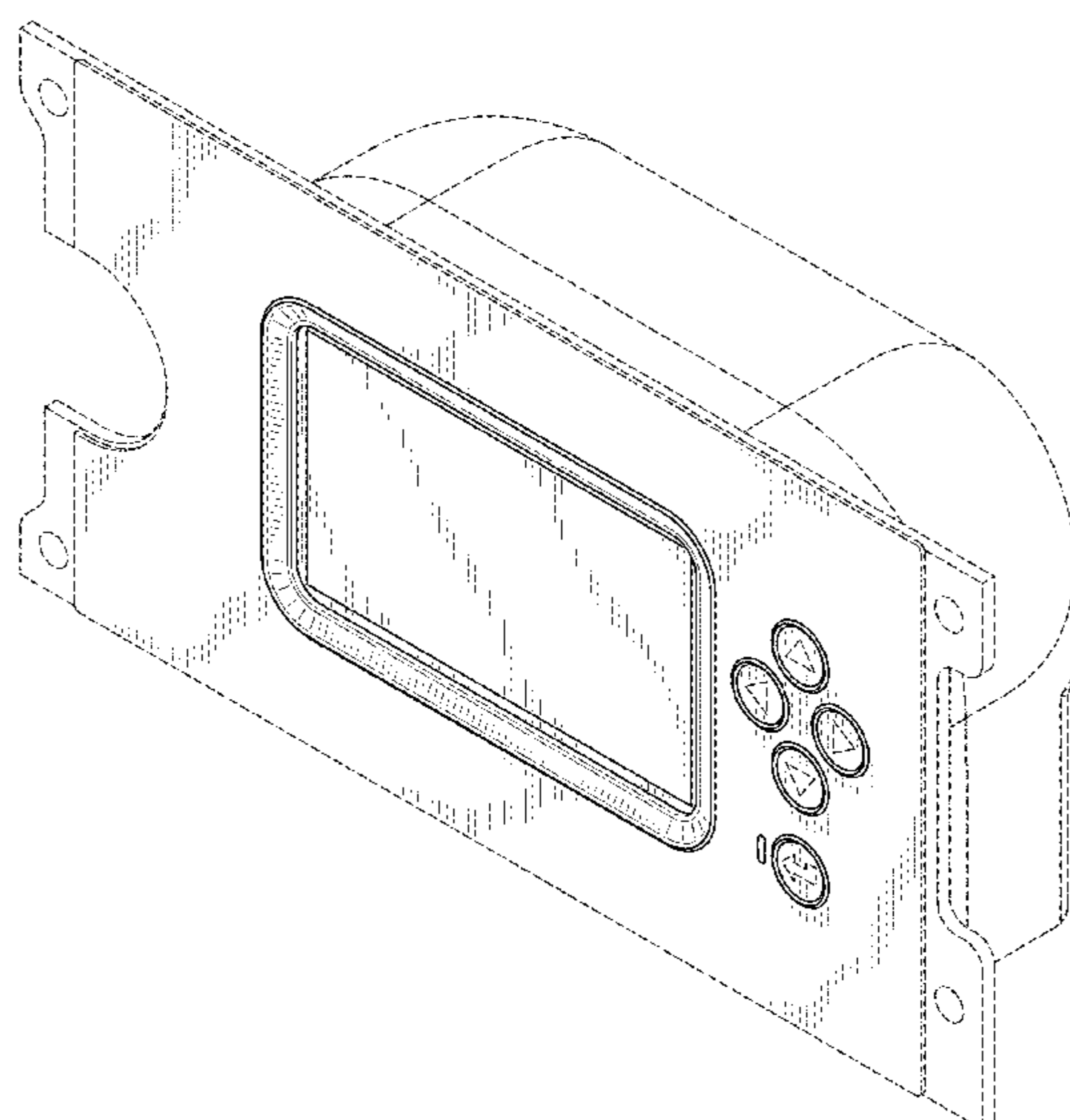
(57) **CLAIM**

The ornamental design for a user interface device, as shown and described.

DESCRIPTION

FIG. 1 is a perspective view of a user interface device; FIG. 2 is a front view of the user interface device; FIG. 3 is a back view of the user interface device; FIG. 4 is a left side view of the user interface device; FIG. 5 is a right side view of the user interface device; FIG. 6 is a top view of the user interface device; and, FIG. 7 is a bottom view of the user interface device. The broken lines in FIGS. 1-7 illustrate portions of the user interface device that form no part of the claimed design.

1 Claim, 5 Drawing Sheets



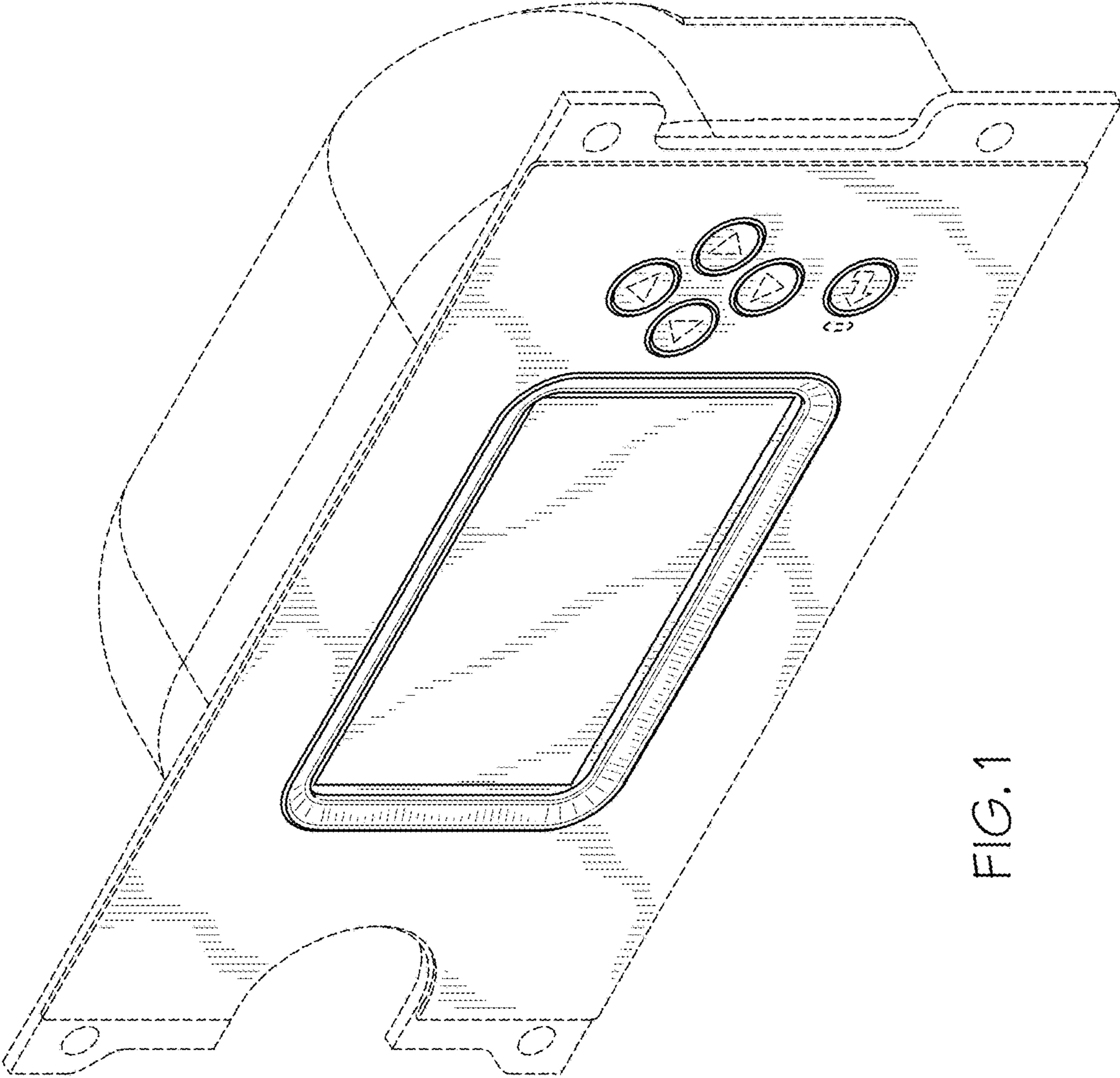


FIG. 1

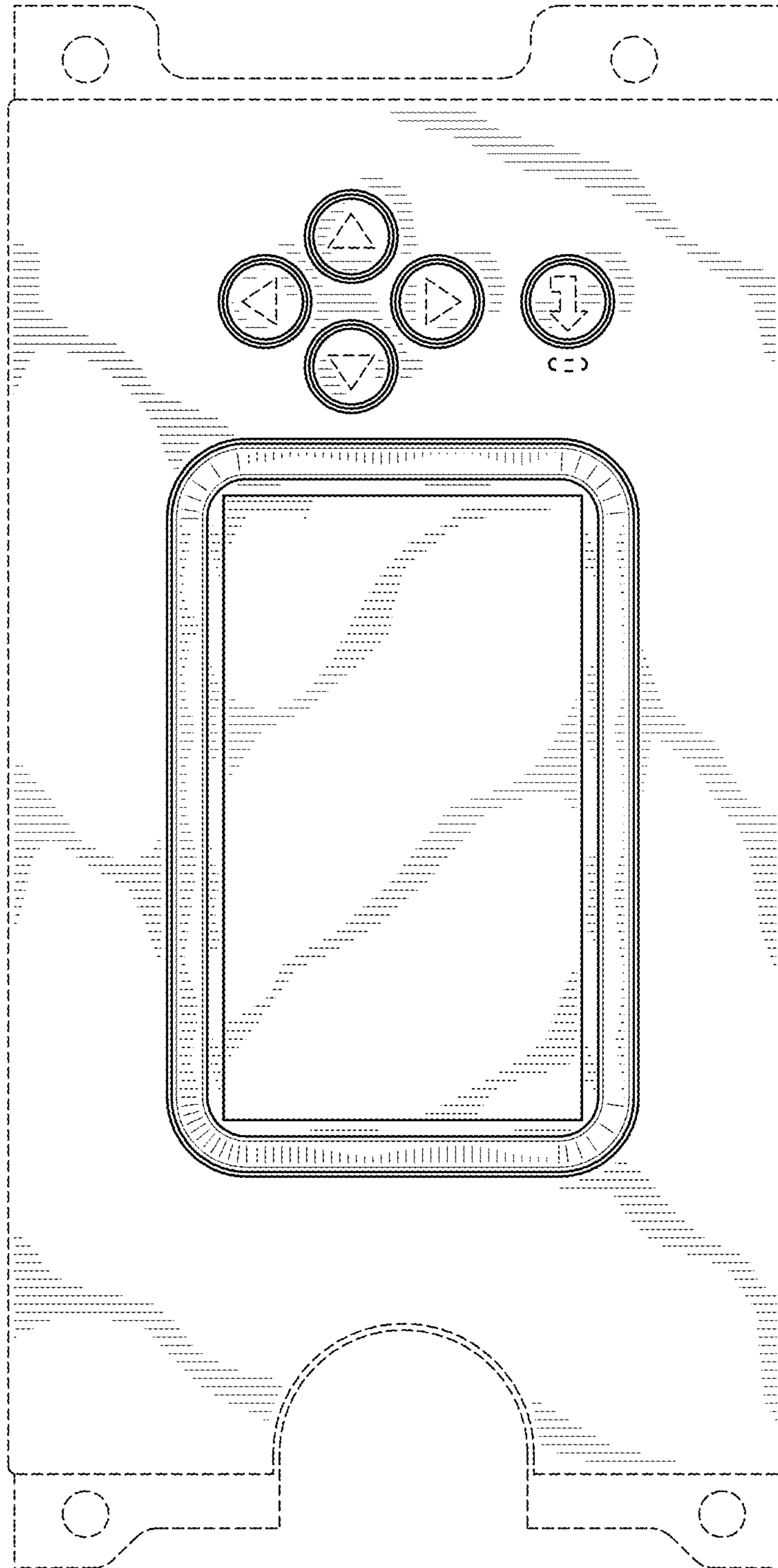


FIG. 2

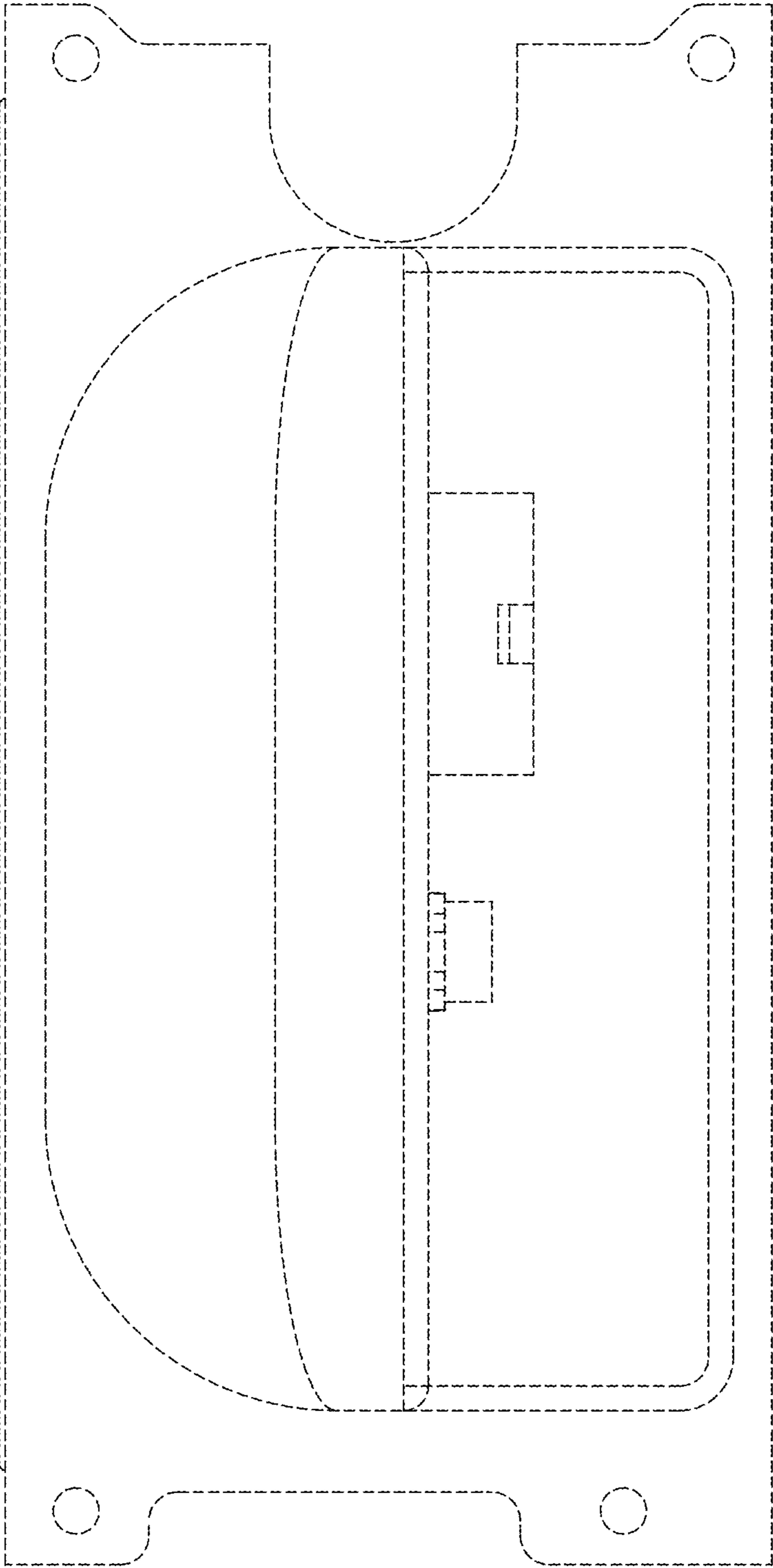


FIG. 3

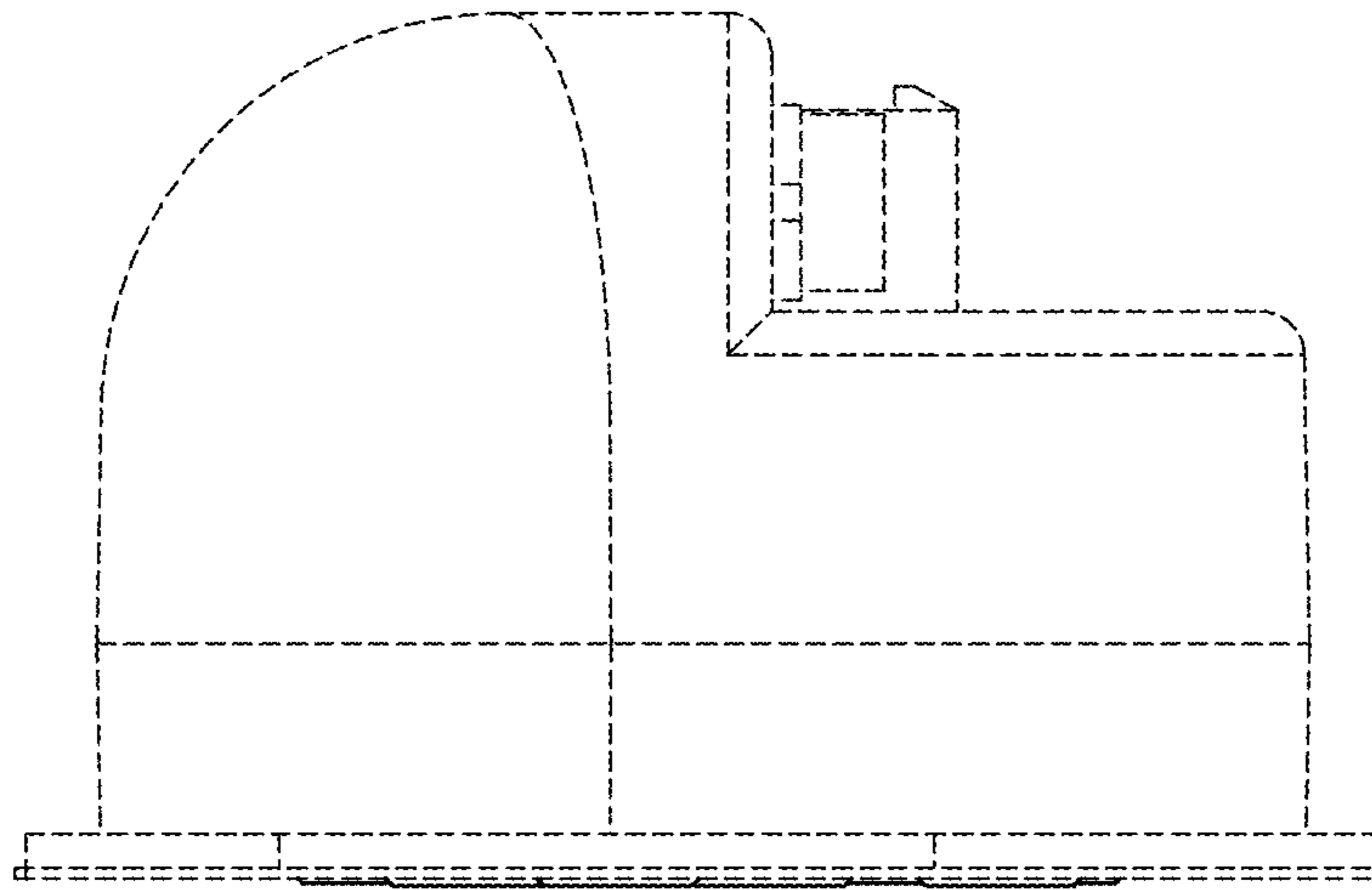


FIG. 5

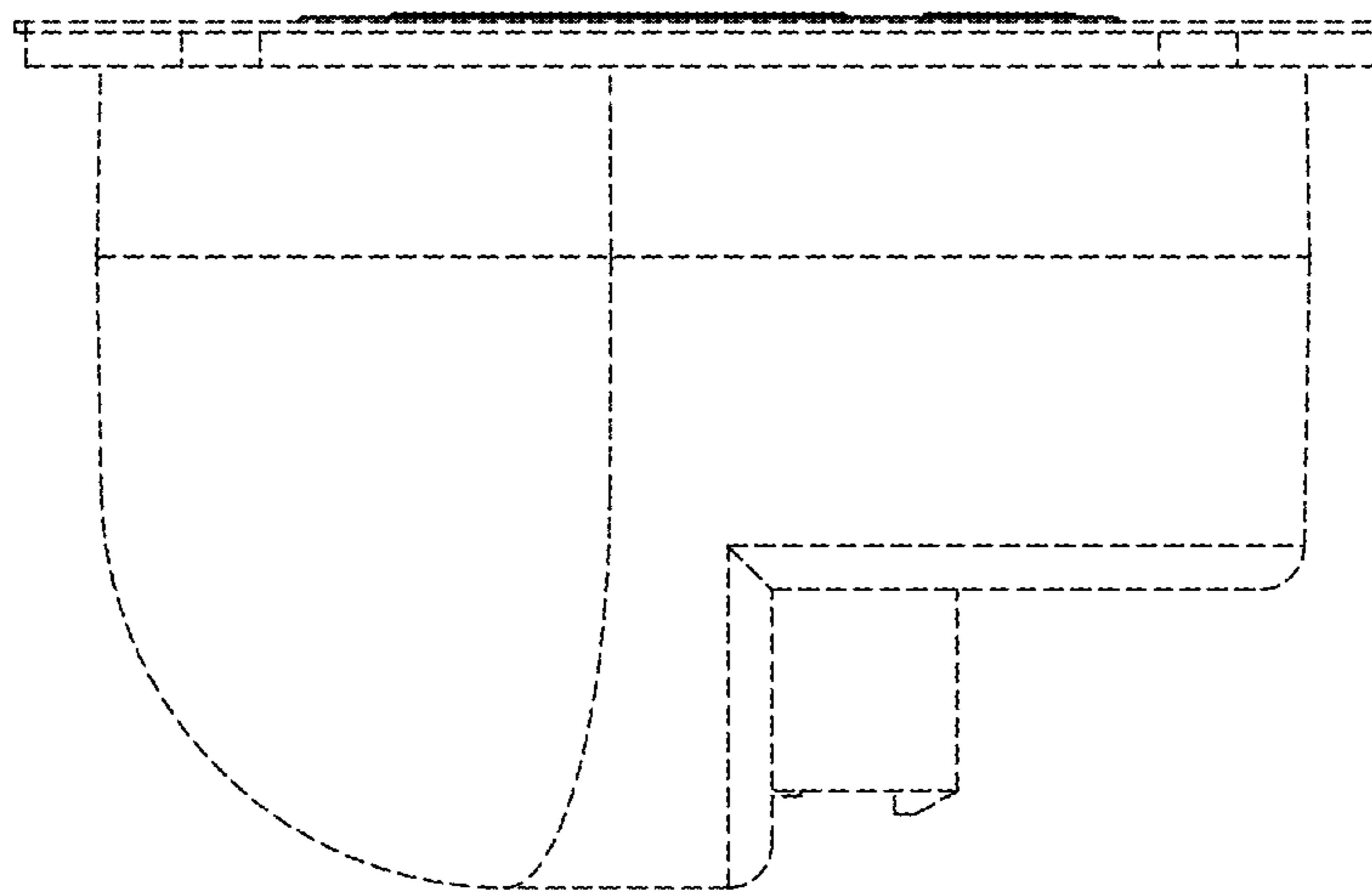


FIG. 4

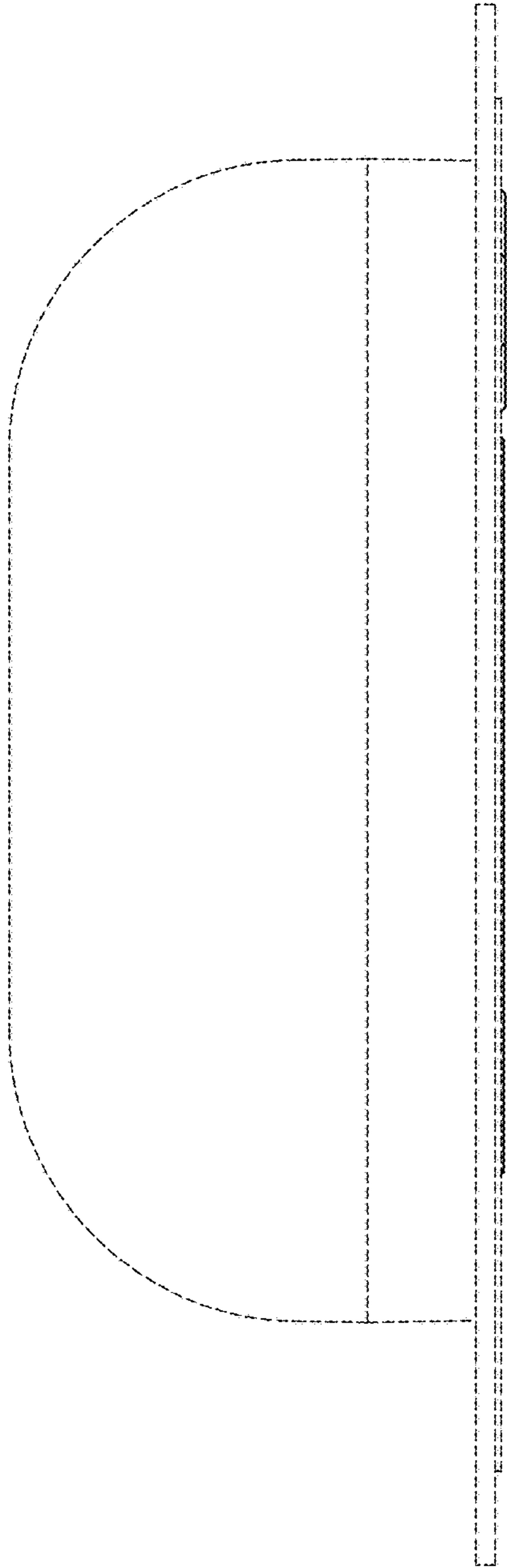


FIG. 6

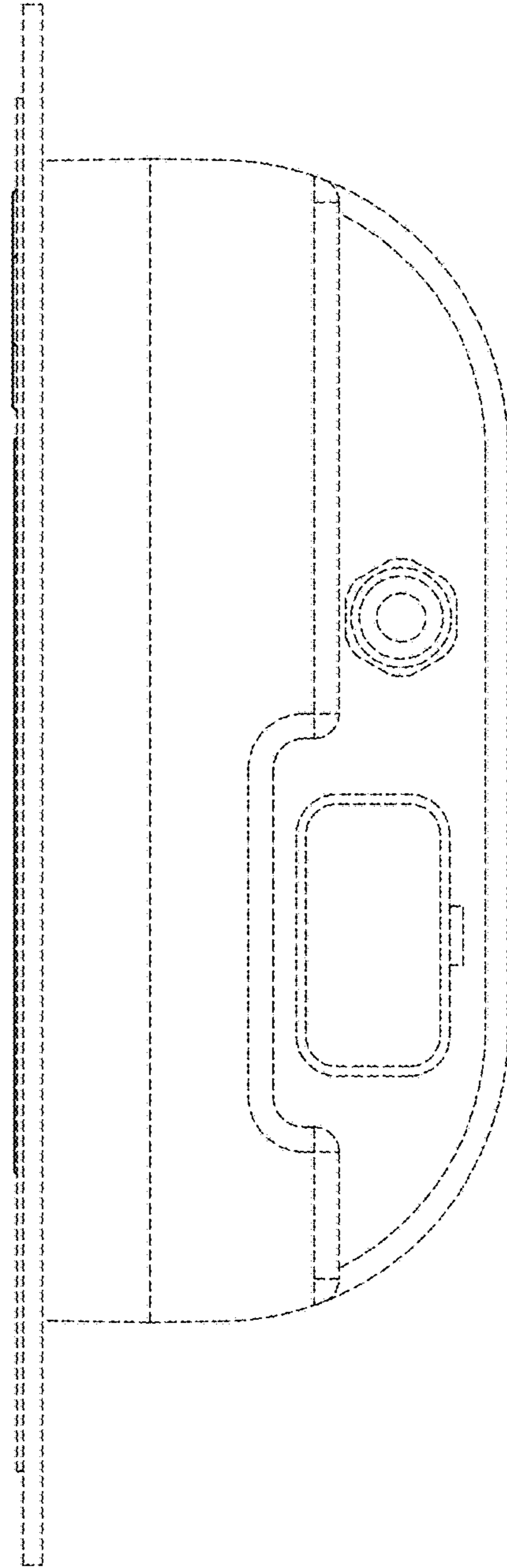


FIG. 7