



US00D800715S

(12) **United States Design Patent** (10) **Patent No.:** **US D800,715 S**  
**Kane et al.** (45) **Date of Patent:** **\*\* Oct. 24, 2017**

(54) **SELF-SERVICE BIOMETRIC KIOSK**

(56) **References Cited**

(71) Applicant: **VATOSCAN (PTY) LTD**, Rosebank  
(ZA)

(72) Inventors: **John Kininmonth Kane**, Johannesburg  
(ZA); **Rafi Muller Leigh**, Johannesburg  
(ZA)

(73) Assignee: **VATOSCAN (PTY) LTD**, Rose Bank  
(ZA)

(\*\*) Term: **15 Years**

U.S. PATENT DOCUMENTS

D734,315 S *	7/2015	Masuda .....	D14/307
D737,808 S *	9/2015	Naumann .....	D14/307
D743,956 S *	11/2015	Kraft .....	D14/307
D751,061 S *	3/2016	Berini .....	D14/307
D762,635 S *	8/2016	Szeredi .....	D14/307
D769,864 S *	10/2016	Hoffmann .....	D14/307
D778,276 S *	2/2017	Berini .....	D14/307
D781,843 S *	3/2017	Horn, II .....	D14/307
D782,467 S *	3/2017	Bladwell .....	D14/307
D788,098 S *	5/2017	Thornton et al. ....	D14/307

\* cited by examiner

(21) Appl. No.: **29/573,695**

(22) Filed: **Aug. 9, 2016**

*Primary Examiner* — Austin Murphy  
(74) *Attorney, Agent, or Firm* — Workman Nydegger

(30) **Foreign Application Priority Data**

Feb. 10, 2016 (ZA) ..... A2016/00166

(51) **LOC (10) Cl.** ..... **14-02**

(52) **U.S. Cl.**  
USPC ..... **D14/307**

(58) **Field of Classification Search**  
USPC ..... D14/167, 154, 168, 188, 496, 156, 160,  
D14/161, 162, 163, 164, 165, 158, 253,  
D14/192, 159, 155, 138 AB, 137, 104.1,  
D14/307; 455/351, 350, 353; D10/104,  
D10/106, 65, 78; 340/573.4, 573.1  
CPC ..... G08B 13/1672; G08B 13/19645; G08B  
25/006; H04M 11/04

See application file for complete search history.

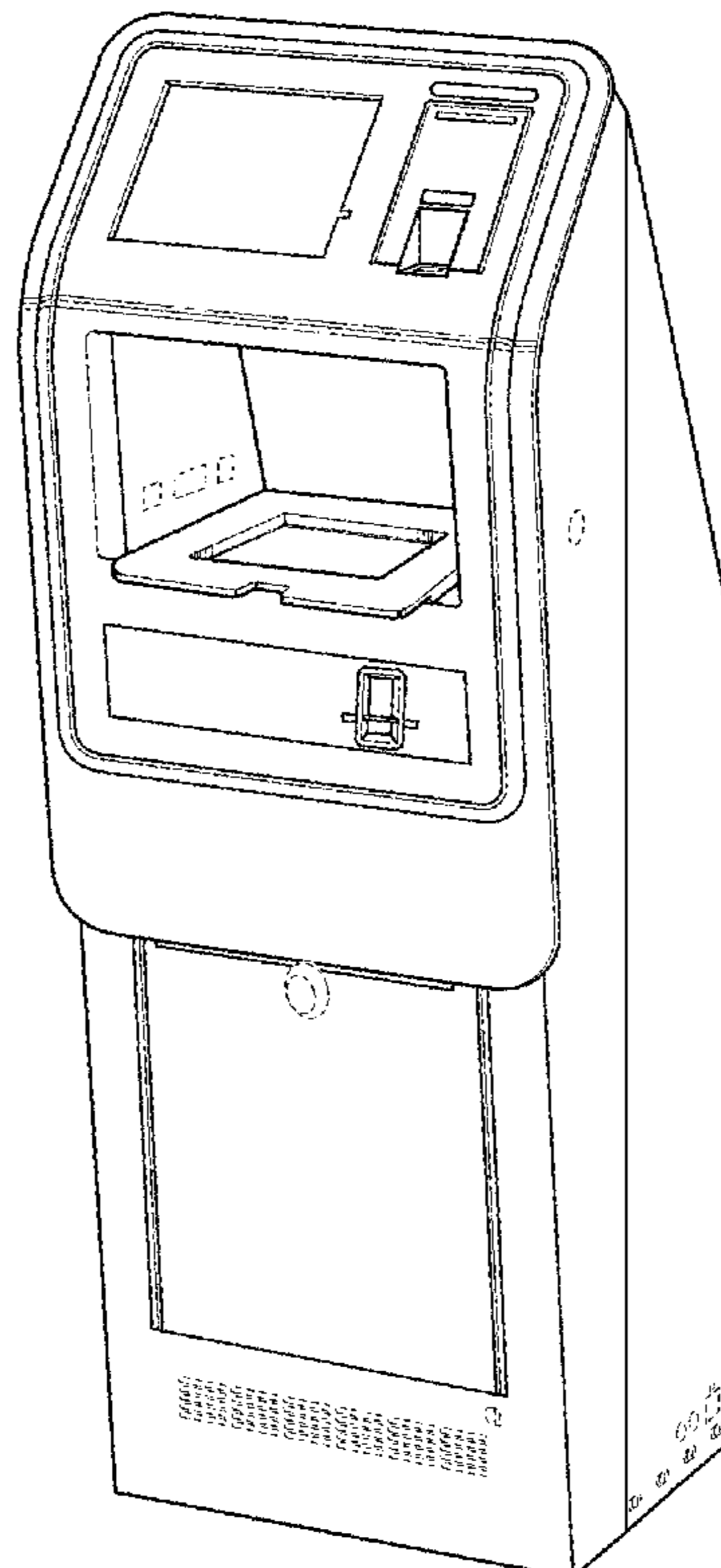
(57) **CLAIM**

An ornamental design for self-service biometric kiosk, as shown.

**DESCRIPTION**

FIG. 1 is a three-dimensional view;  
FIG. 2 is a front view;  
FIG. 3 is a rear view;  
FIG. 4 is a side view;  
FIG. 5 is an opposite side view;  
FIG. 6 is a top view; and,  
FIG. 7 is a bottom view.

**1 Claim, 6 Drawing Sheets**



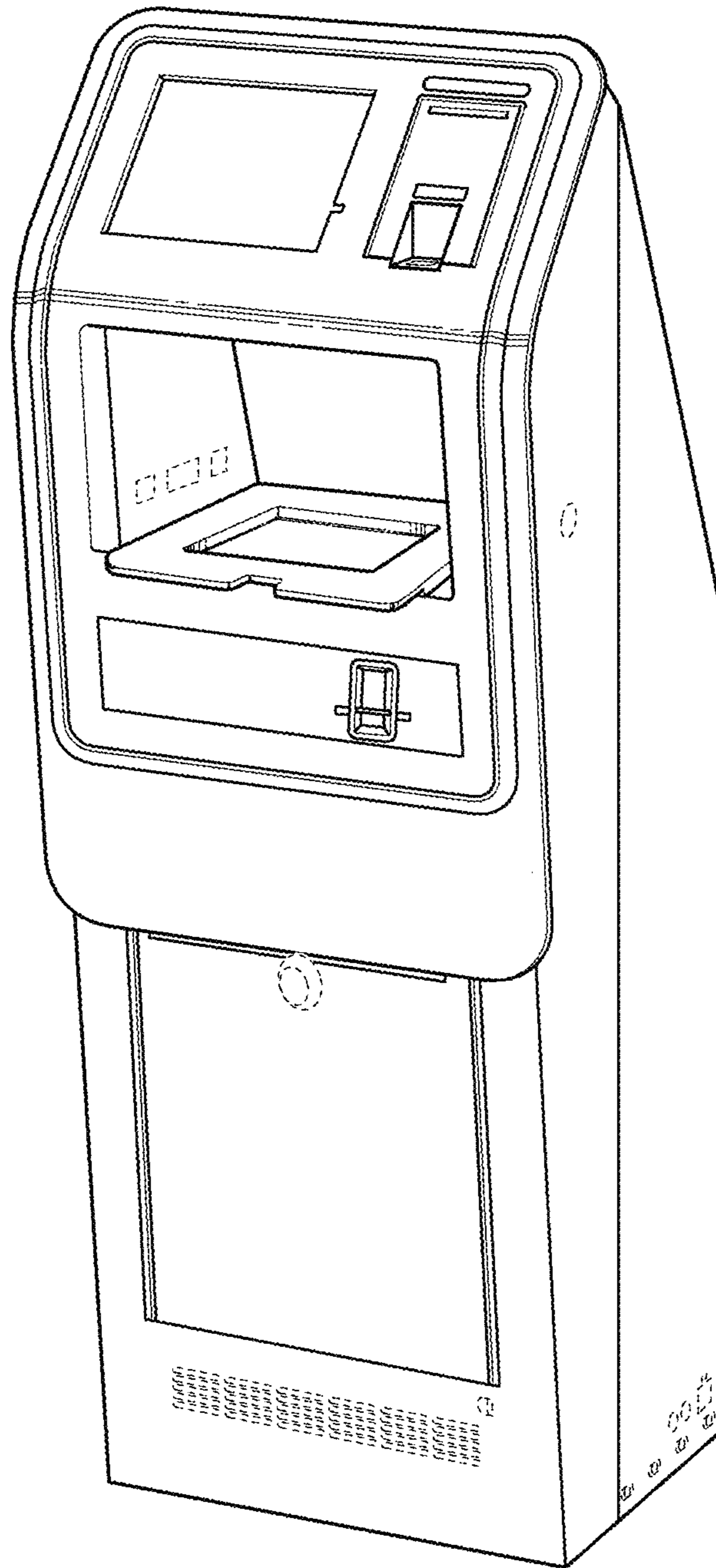


FIGURE 1

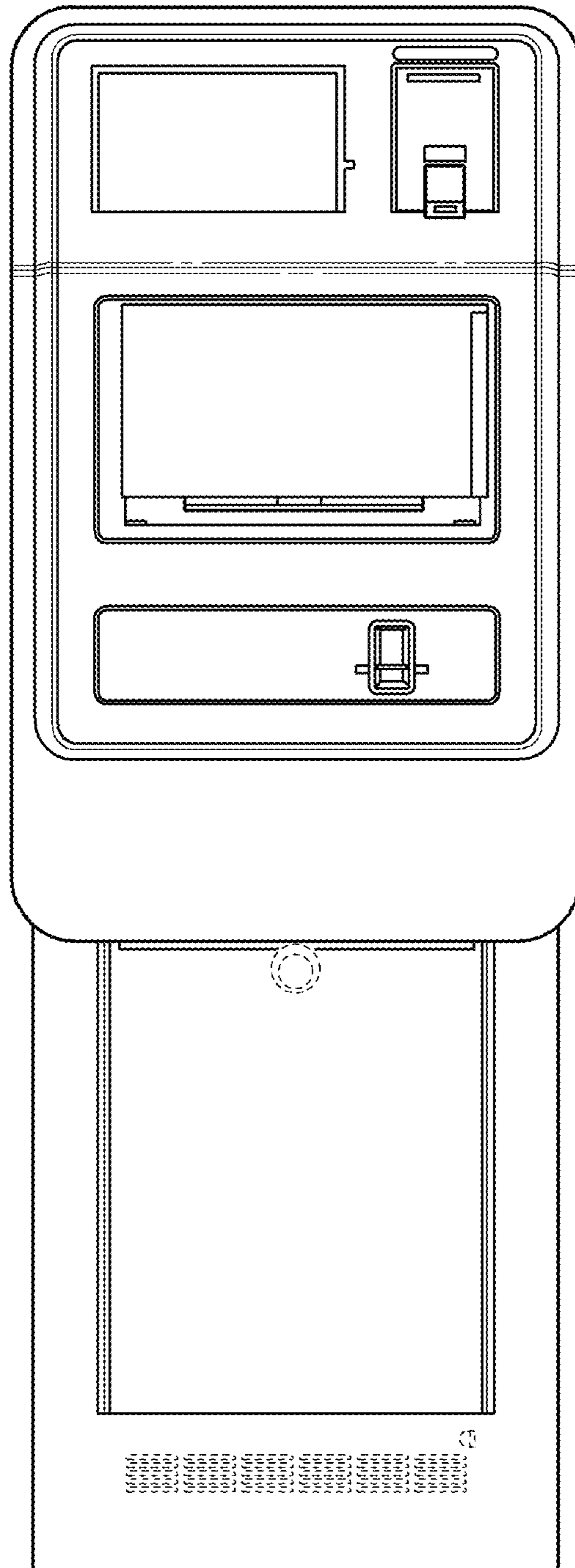


FIGURE 2

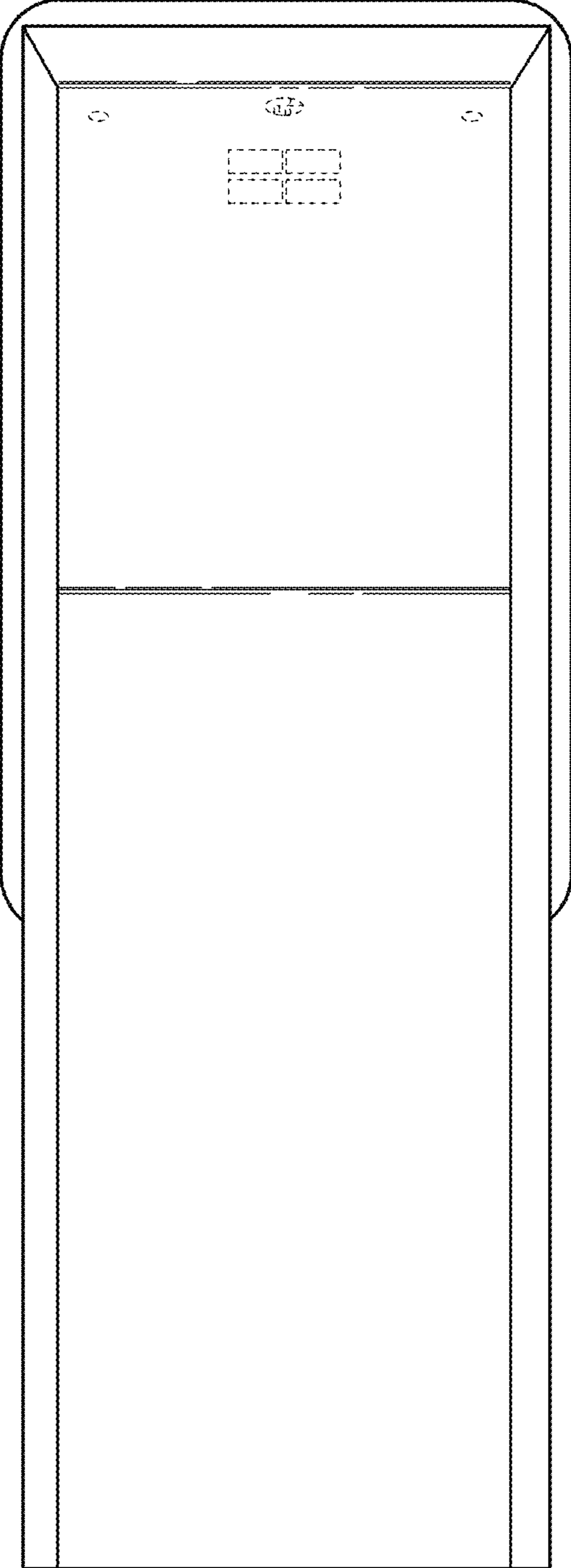


FIGURE 3

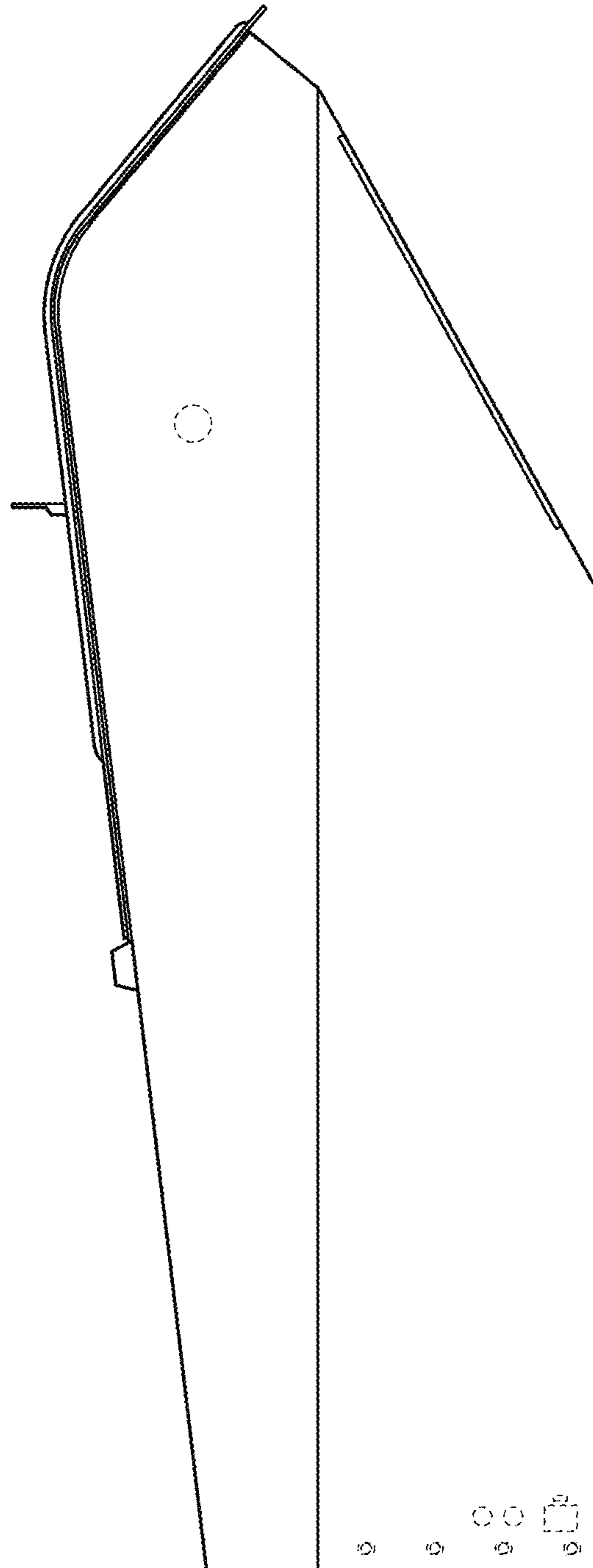


FIGURE 4

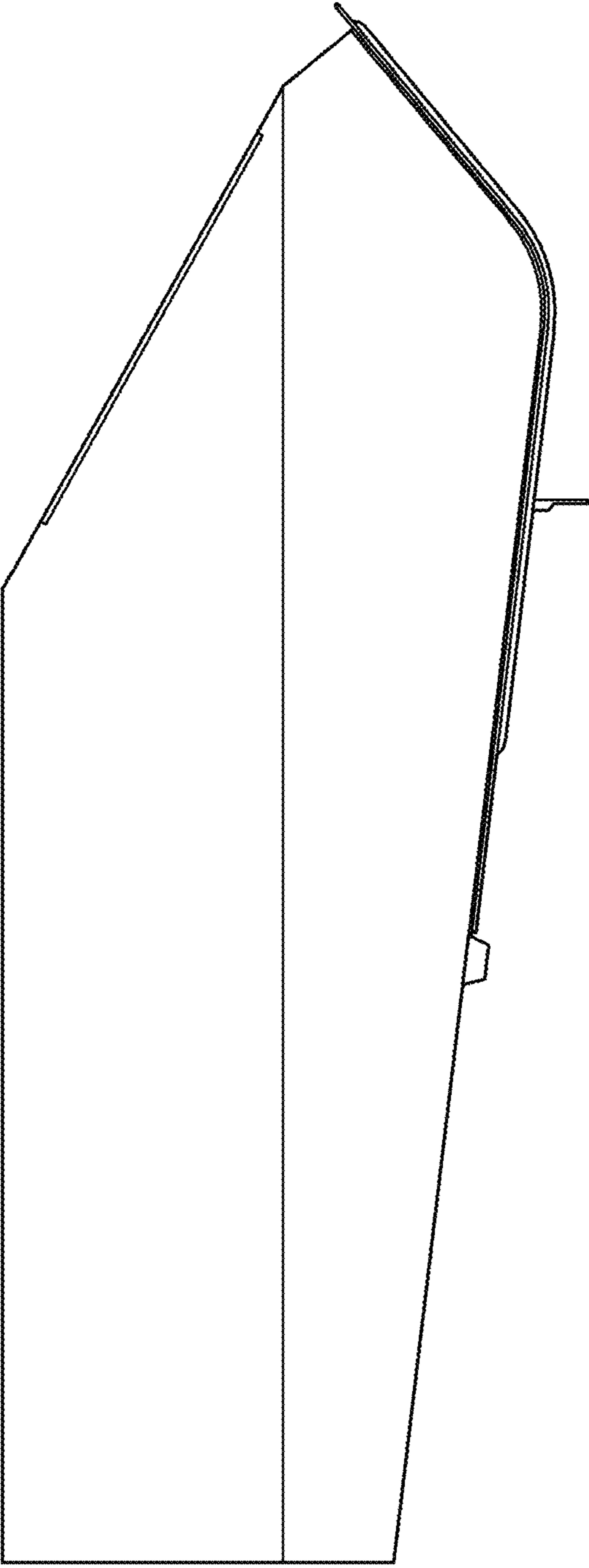


FIGURE 5

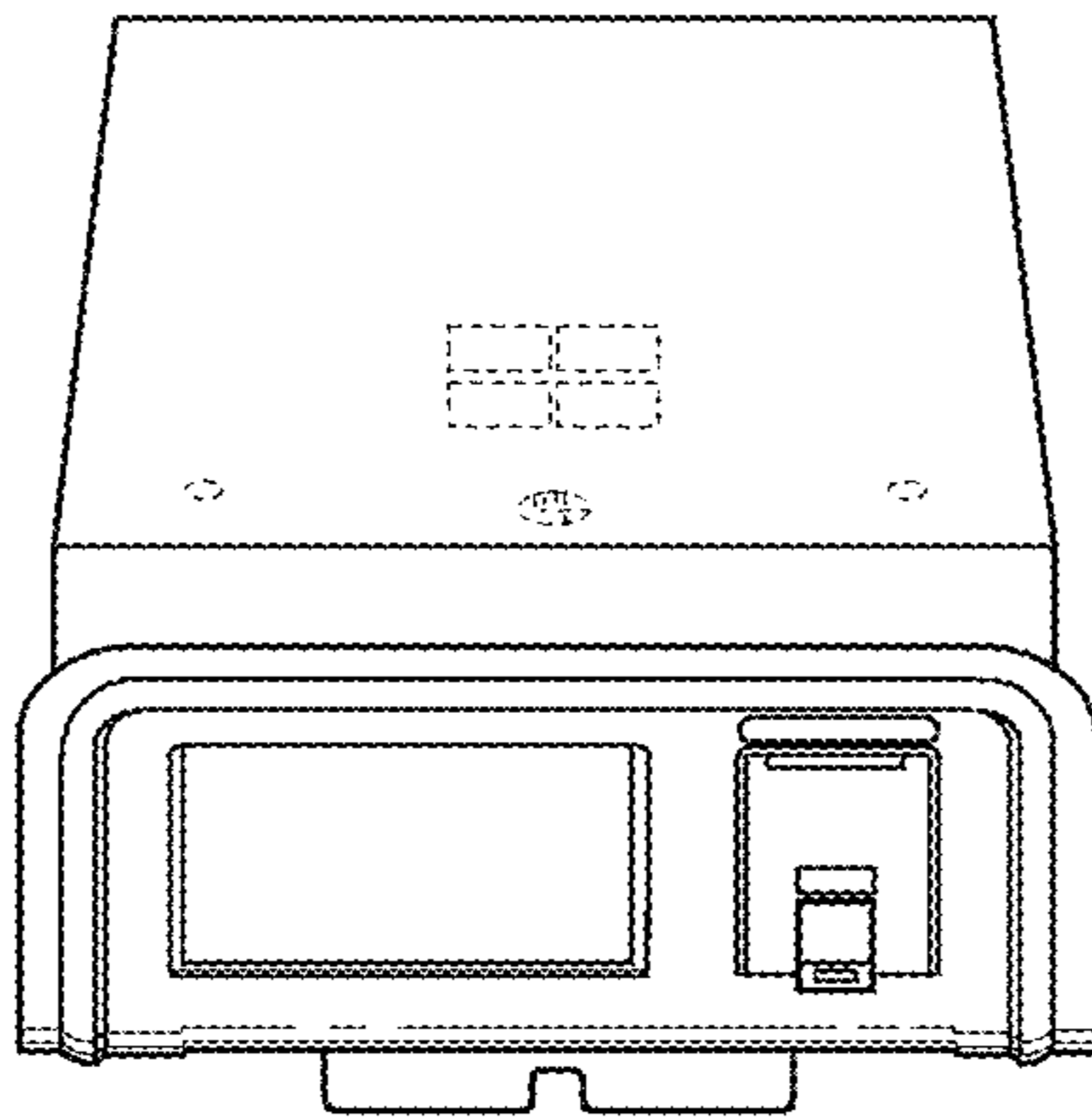


FIGURE 6

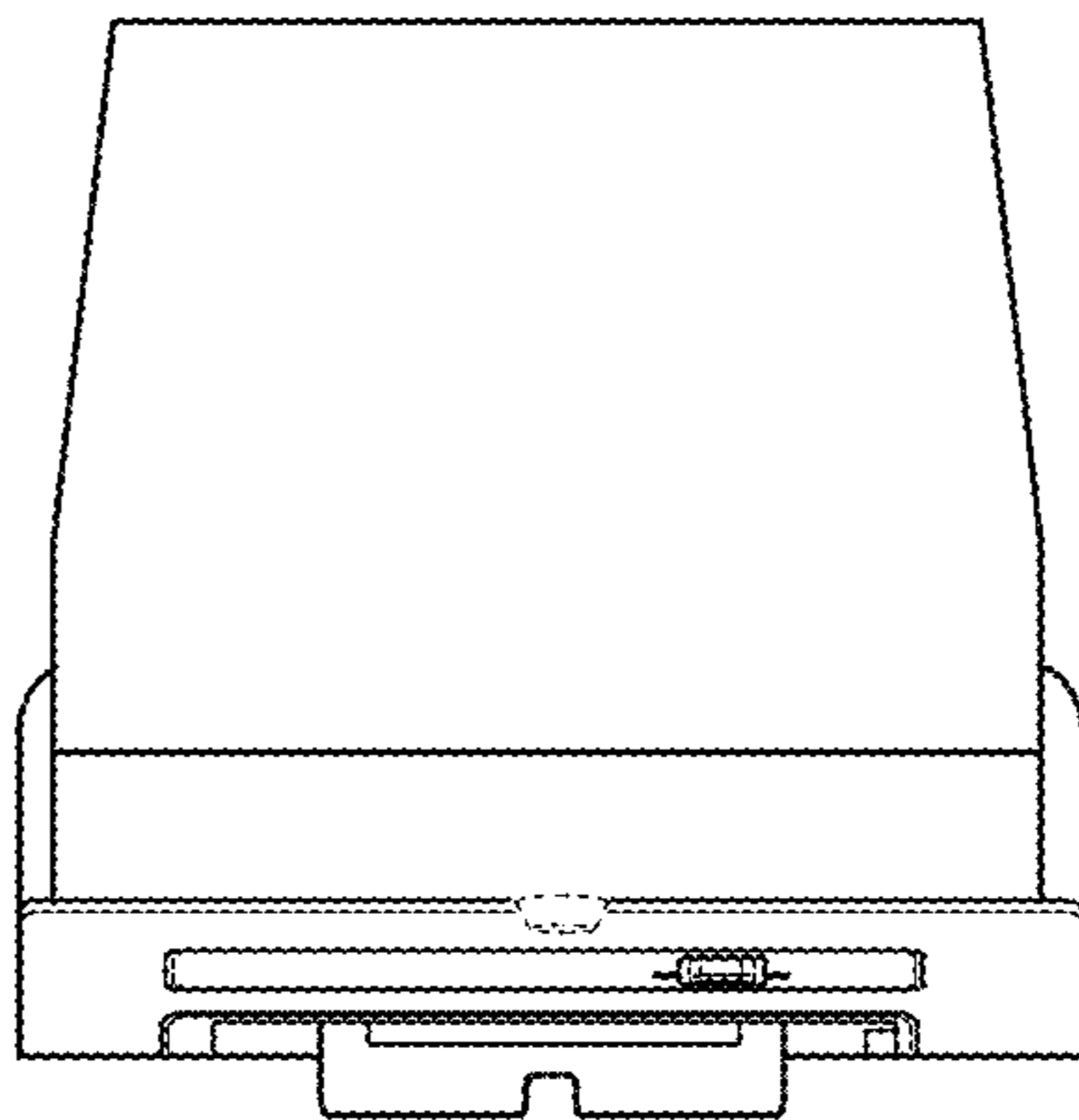


FIGURE 7