



US00D800713S

(12) **United States Design Patent** (10) **Patent No.:** **US D800,713 S**
Kim (45) **Date of Patent:** **** Oct. 24, 2017**

(54) **CASE FOR ELECTRONIC DEVICE**

(71) Applicant: **Dae-Young Kim**, Seoul (KR)

(72) Inventor: **Dae-Young Kim**, Seoul (KR)

(73) Assignee: **SPIGEN KOREA CO., LTD.**,
Geumcheon-Gu, Seoul (KR)

(**) Term: **14 Years**

(21) Appl. No.: **29/506,119**

(22) Filed: **Oct. 13, 2014**

(51) **LOC (10) Cl.** **14-01**

(52) **U.S. Cl.**
USPC **D14/250**

(58) **Field of Classification Search**
USPC D14/250–253, 440, 203.3–203.7, 217,
D14/496, 248, 238.1, 240, 447, 230, 247,
D14/341, 345, 346, 439; D3/201, 218,
D3/269, 301, 273, 303; D13/103,
D13/107–108; 220/4.02; 248/309.1;
361/679.56; 379/426, 433.11, 455;
455/575.1, 575.8; 190/100; 206/305,
206/320
CPC . A45C 2011/002; A45C 11/00; A45C 13/002;
A45C 2011/003; H04M 1/0283; H04M
1/0202; H04M 1/185; H04B 1/3888
See application file for complete search history.

(56) **References Cited**

U.S. PATENT DOCUMENTS

D663,263 S * 7/2012 Gupta D13/103
D679,271 S * 4/2013 Liu D13/103
D681,615 S * 5/2013 Fathollahi D14/250
D689,852 S * 9/2013 Azoulay D14/250

(Continued)

OTHER PUBLICATIONS

Fosmon, Samsung Galaxy Note 4 Case, "https://www.amazon.co.uk/Fosmon®-Samsung-Galaxy-HYBO-ARMOR-Detachable/dp/

B00Q5BKVJS/ref=sr_1_24?ie=UTF8&qid=1470422170&sr=8-24&keywords=spigen+Samsung+Galaxy+Note+4", available online Dec. 3, 2014 (retrieved online Aug. 5, 2016).*

(Continued)

Primary Examiner — Sandra Snapp

Assistant Examiner — Holly E Thurman

(74) *Attorney, Agent, or Firm* — East West Law Group;
Heedong Chae

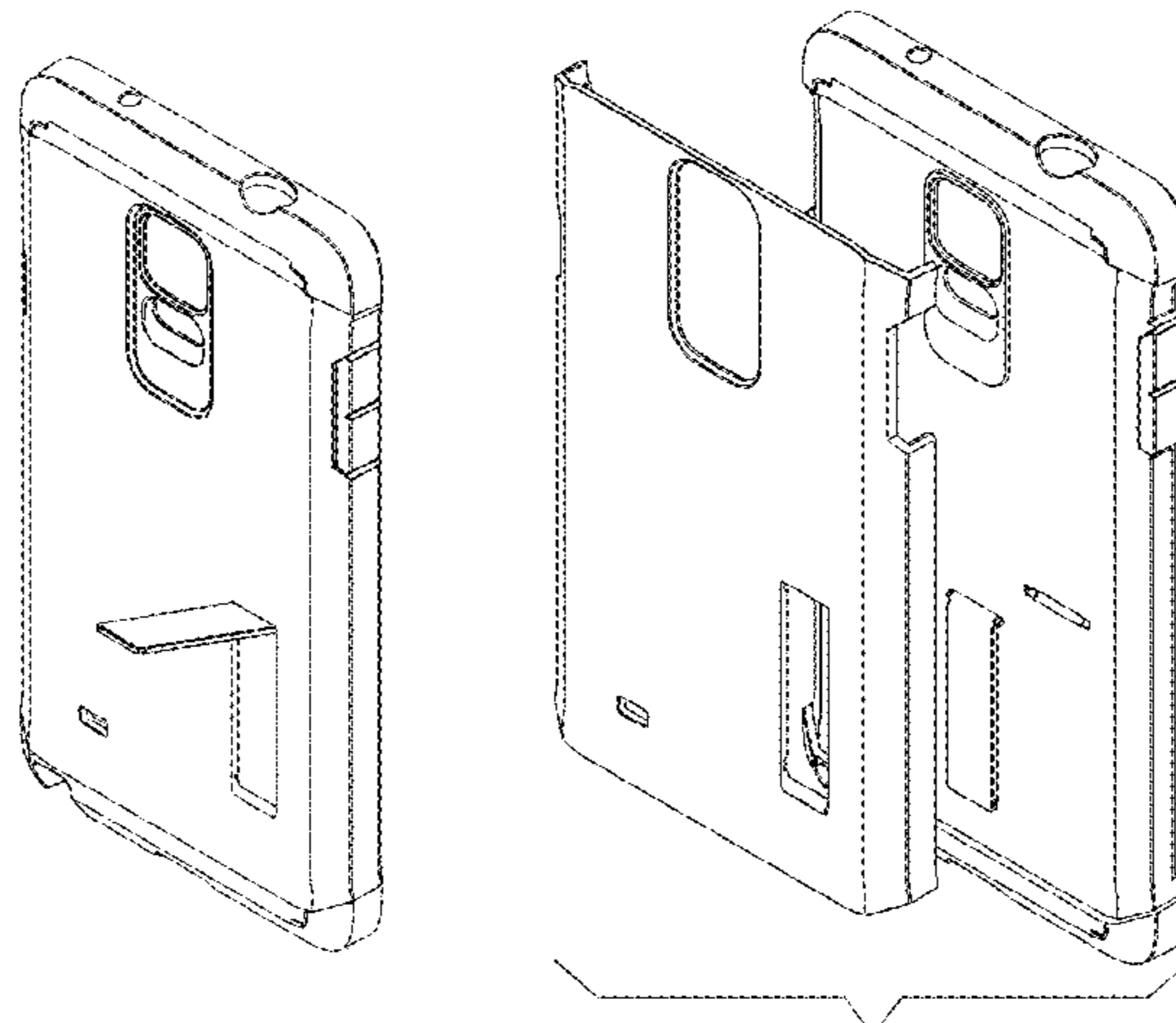
(57) **CLAIM**

The ornamental design for a case for electronic device, as shown and described.

DESCRIPTION

FIG. 1 is a front perspective view of a case for electronic device, comprised of an inner shell, outer frame, and support leg, showing my new design in an assembled state; FIG. 2 is a rear perspective view thereof; FIG. 3 is a front elevational view thereof; FIG. 4 is a rear elevational view thereof; FIG. 5 a left side elevational view thereof; FIG. 6 is a right side elevational view thereof; FIG. 7 is a top plan view thereof; FIG. 8 is a bottom plan view thereof; FIG. 9 is a rear perspective view thereof, showing the support leg in an open position; FIG. 10 is an exploded rear perspective view thereof showing the inner shell, outer frame, and support leg of the case for electronic device separated for clarity of disclosure; FIG. 11 is a front perspective view showing only the inner shell for clarity of disclosure; FIG. 12 is a rear perspective view thereof; FIG. 13 is a front perspective view showing only the support leg for clarity of disclosure; FIG. 14 is a rear perspective view thereof; FIG. 15 is a front perspective view showing only the outer frame for clarity of disclosure; and, FIG. 16 is a rear perspective view thereof.

1 Claim, 16 Drawing Sheets



(56)

References Cited

U.S. PATENT DOCUMENTS

D695,735 S	*	12/2013	Kitchen	D14/341
D698,773 S	*	2/2014	Wildner	D14/250
D700,583 S	*	3/2014	Bacchus	D13/168
D706,254 S	*	6/2014	Chang	D14/217
D723,019 S	*	2/2015	Chan	D14/250
D724,572 S	*	3/2015	Wildner	D14/250
D727,304 S	*	4/2015	Lee	D14/248
D729,781 S	*	5/2015	Lee	D14/248
D733,693 S	*	7/2015	Wang	D14/248
D736,205 S	*	8/2015	Park	D14/138 R
D739,391 S	*	9/2015	Chen	D14/248
D741,279 S	*	10/2015	Tai	D14/138 G
D746,275 S	*	12/2015	Mohammad	D14/250
D753,099 S	*	4/2016	Kim	D14/250

OTHER PUBLICATIONS

Spigen, Tough Armor Cover Case for Galaxy Note 4, "<http://www.spigen.com/products/galaxy-note-4-case-tough-armor?variant=1222251417>", available online Aug. 13, 2014 (retrieved online Aug. 5, 2016).*

* cited by examiner

FIG. 1

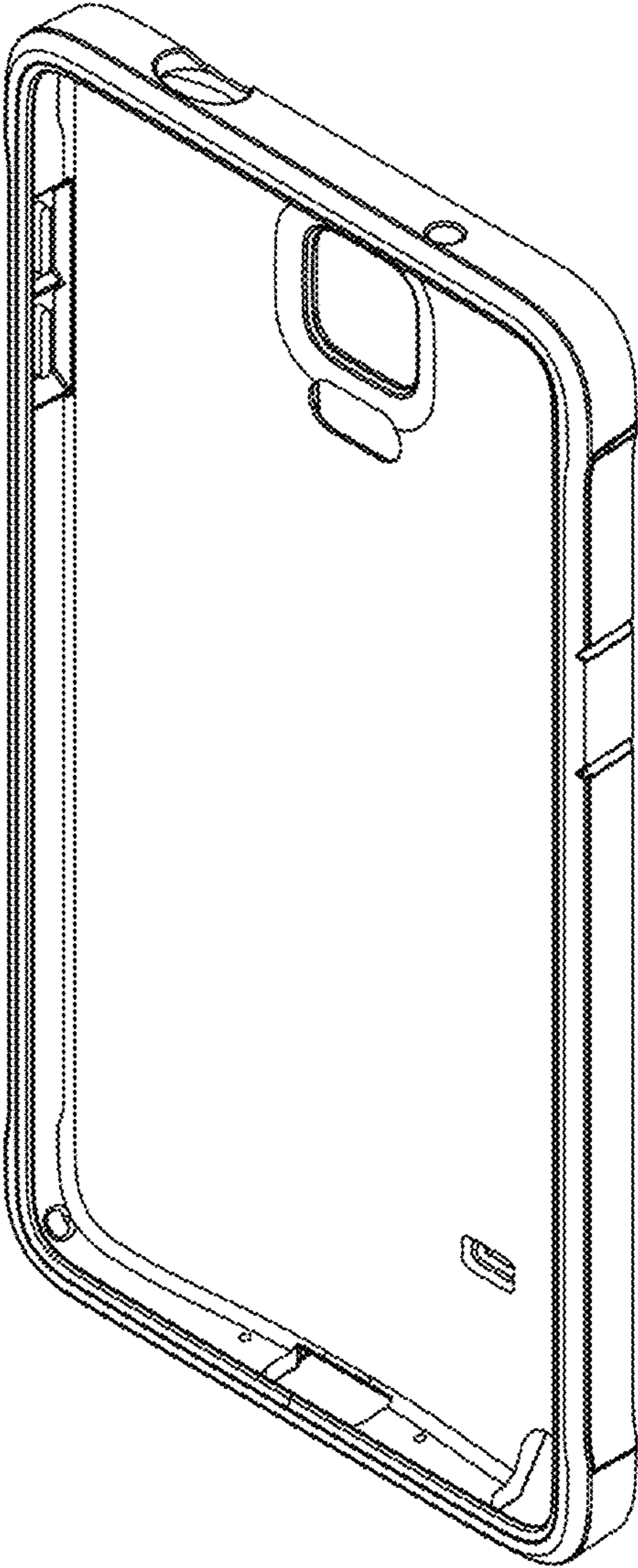


FIG. 2

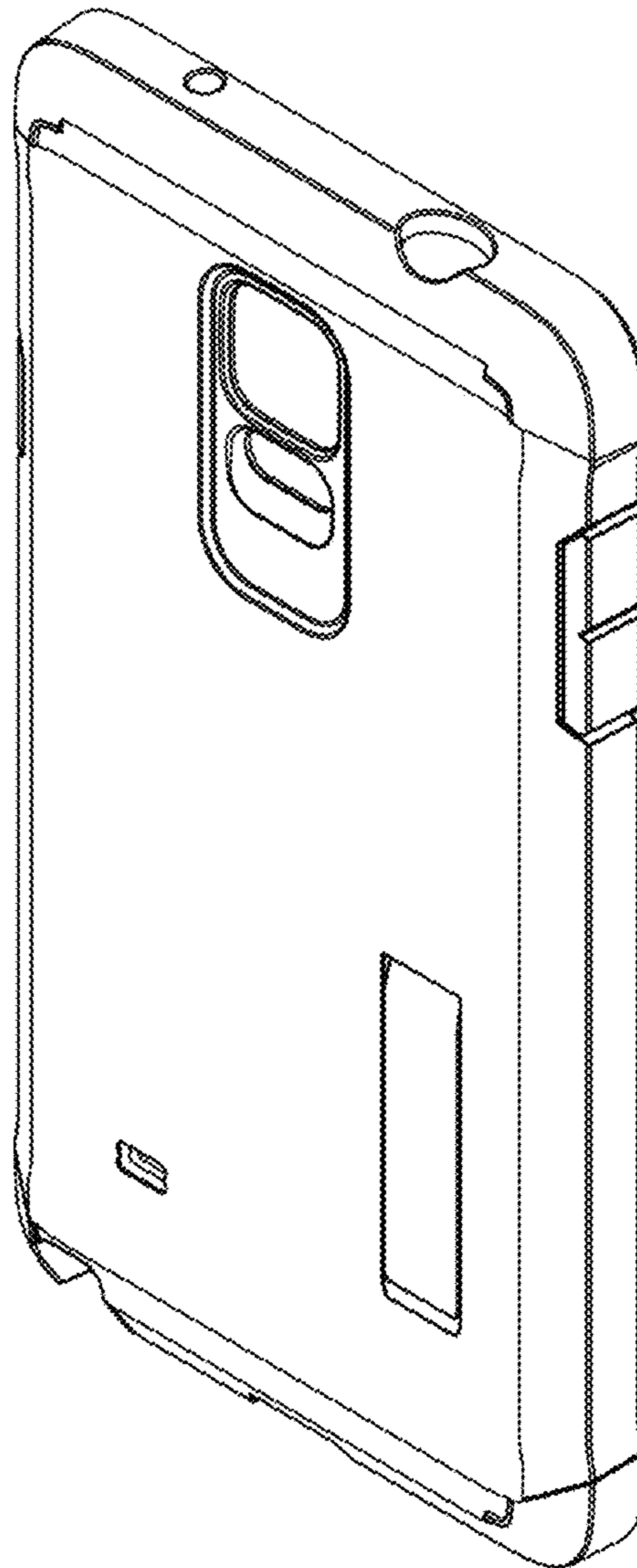


FIG. 3

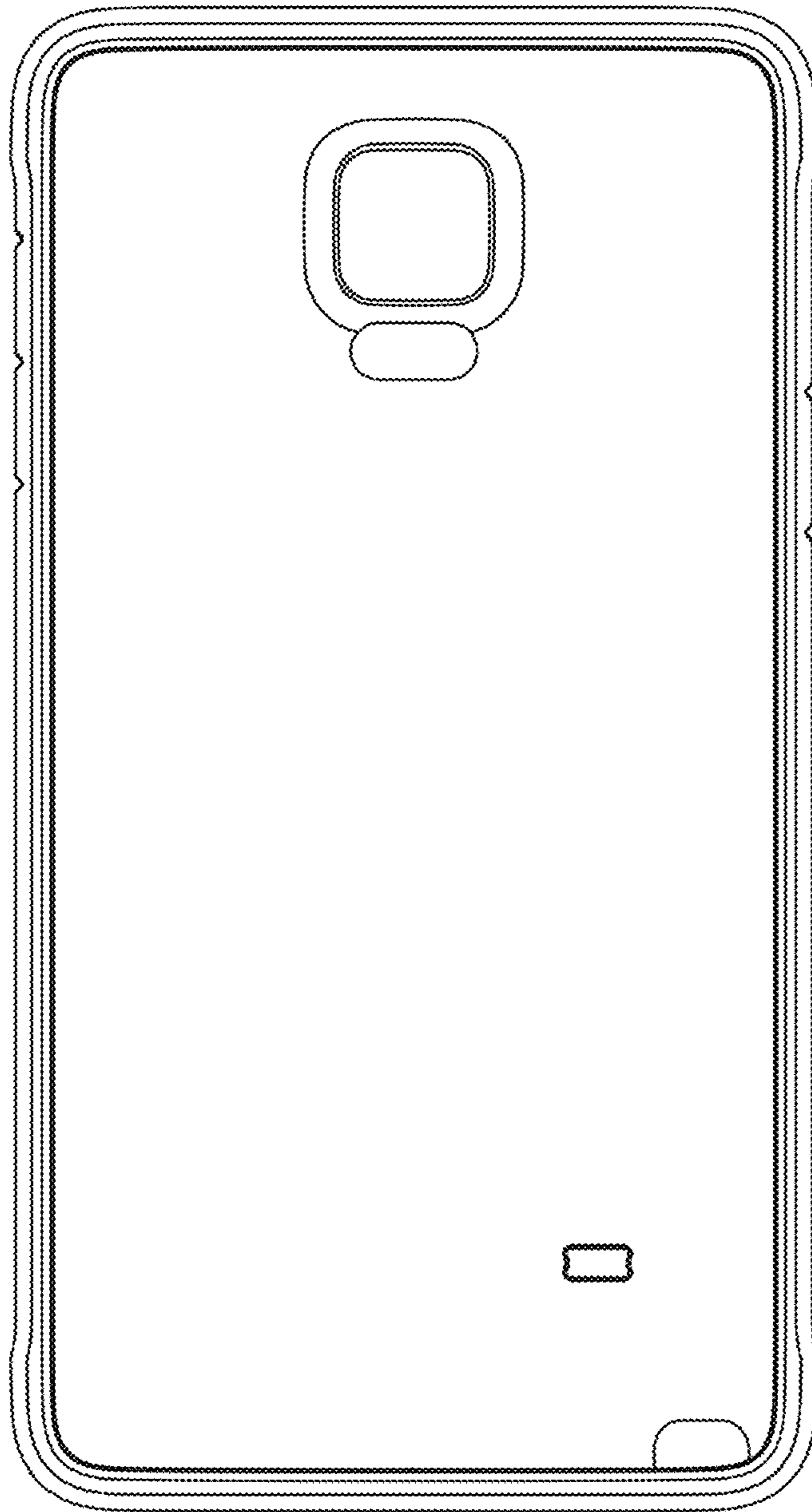


FIG. 4

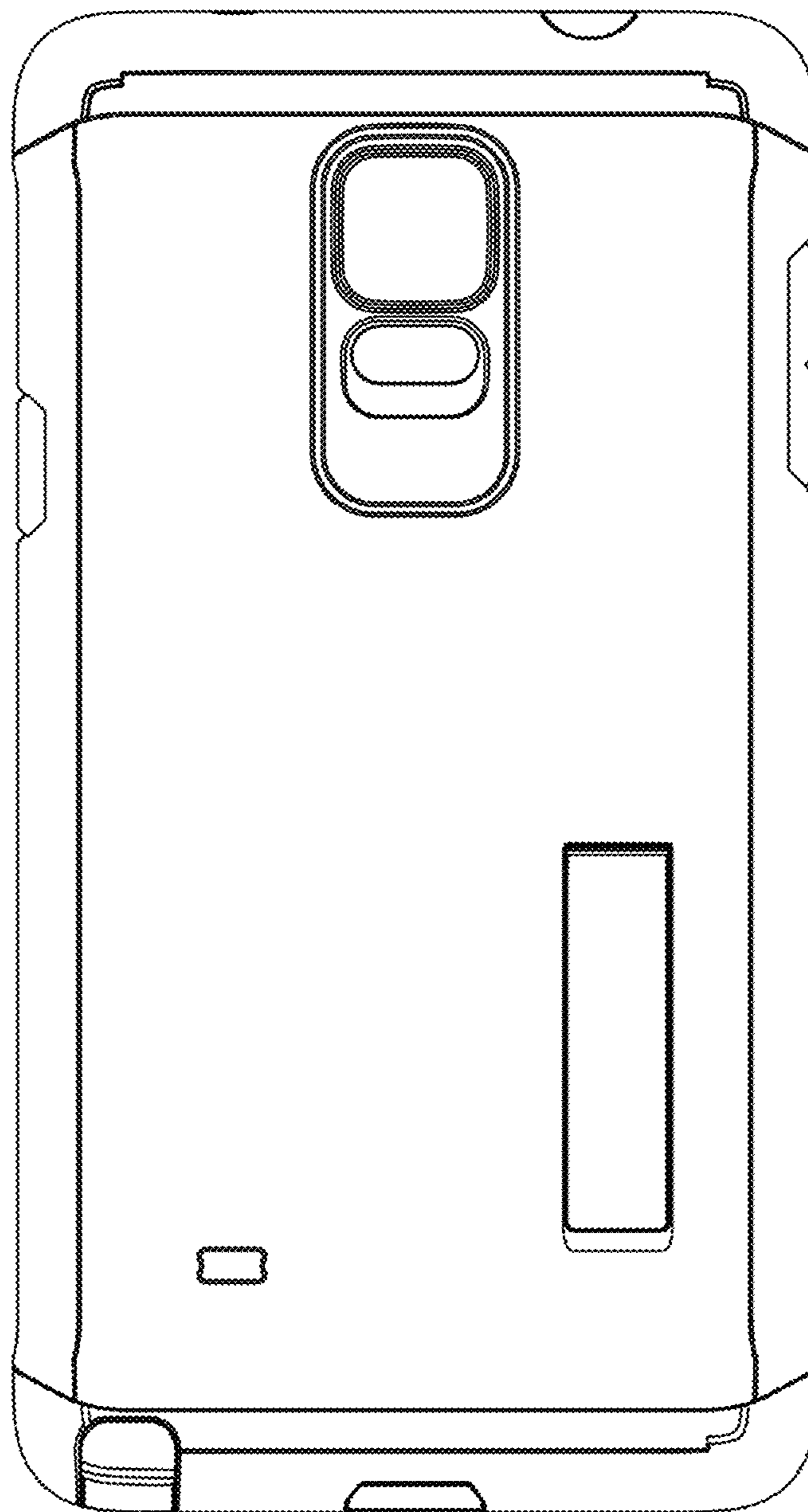


FIG. 5

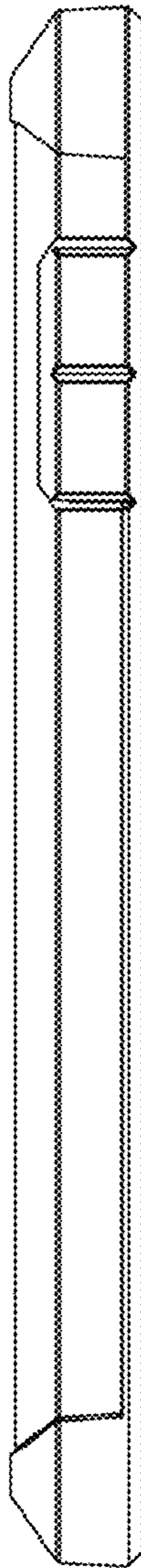


FIG. 6

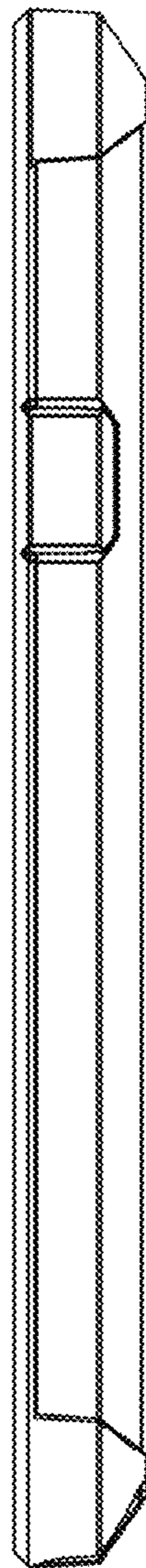


FIG. 7

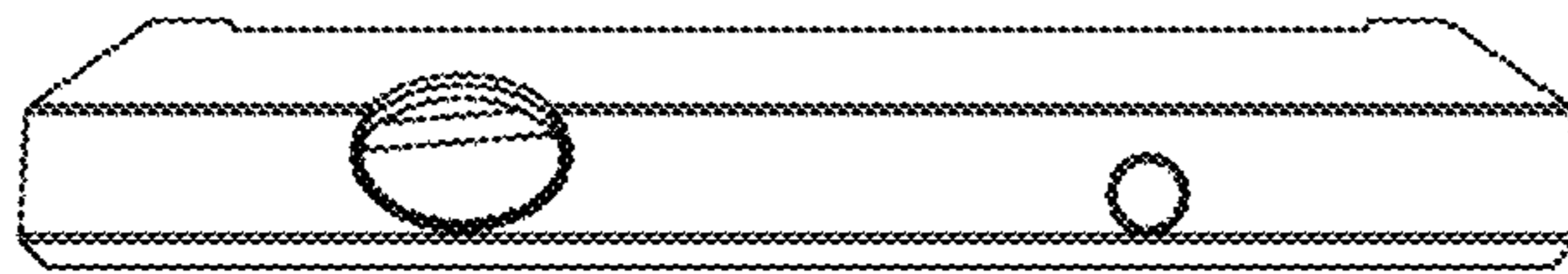


FIG. 8

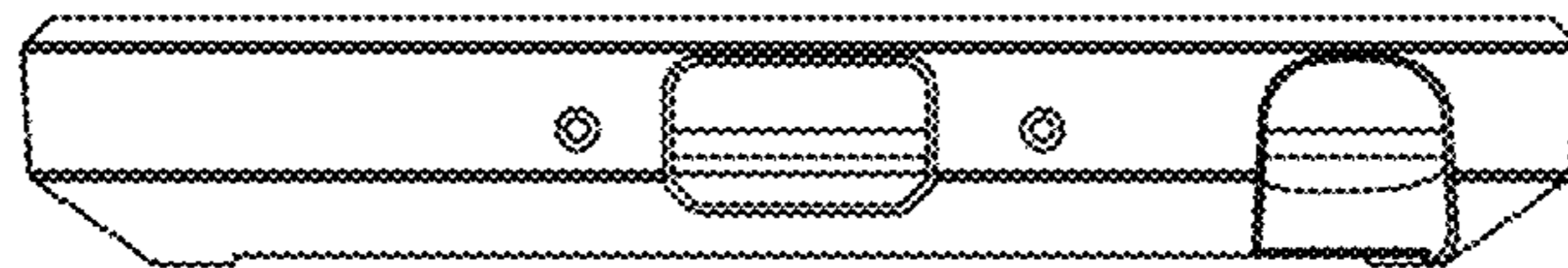


FIG. 9

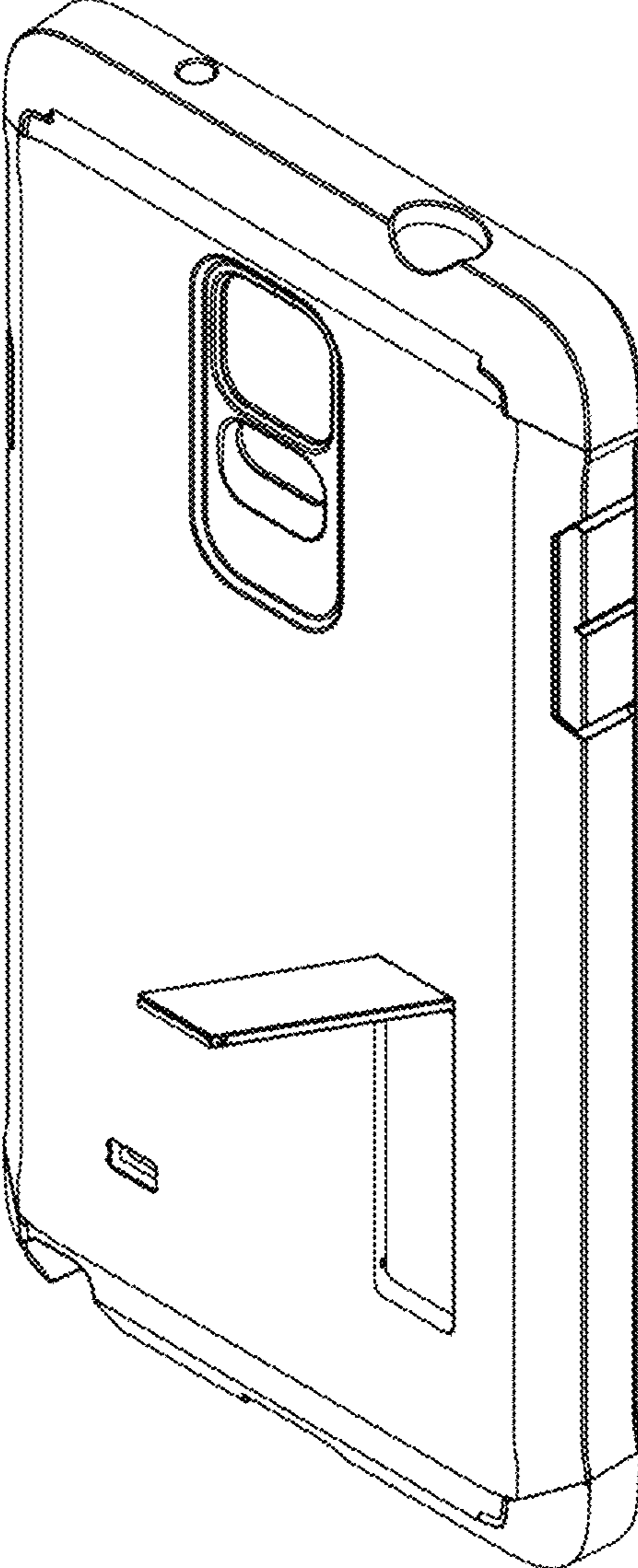


FIG. 10

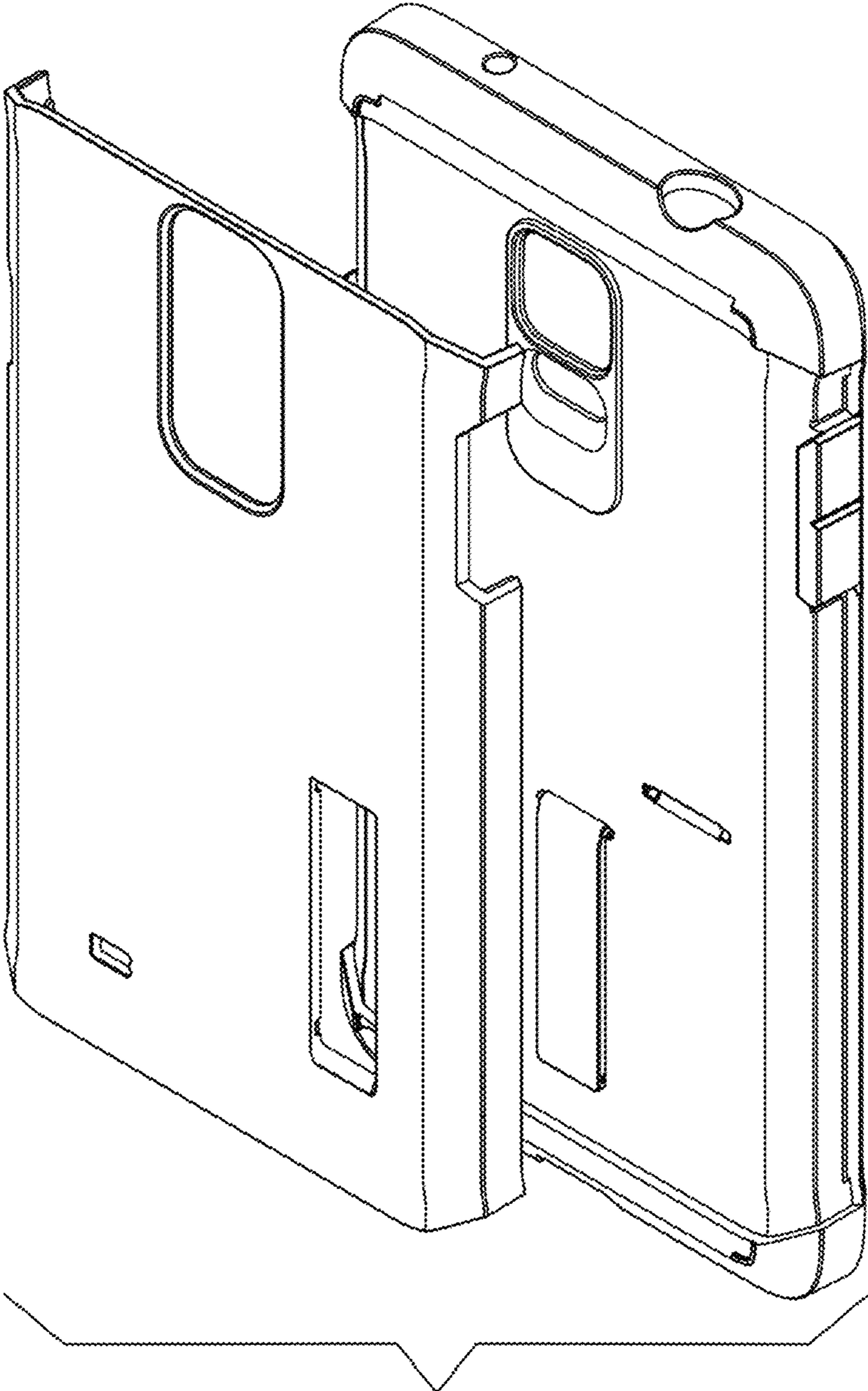


FIG. 11

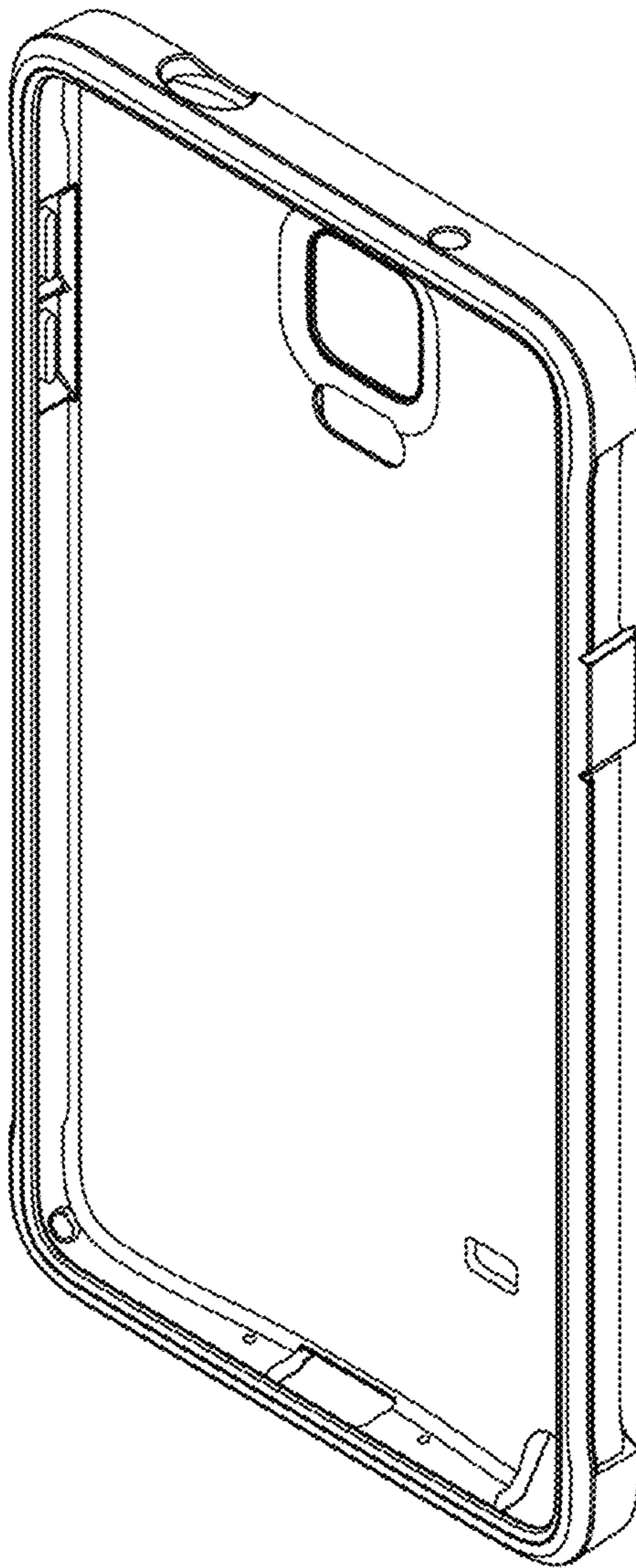


FIG. 12

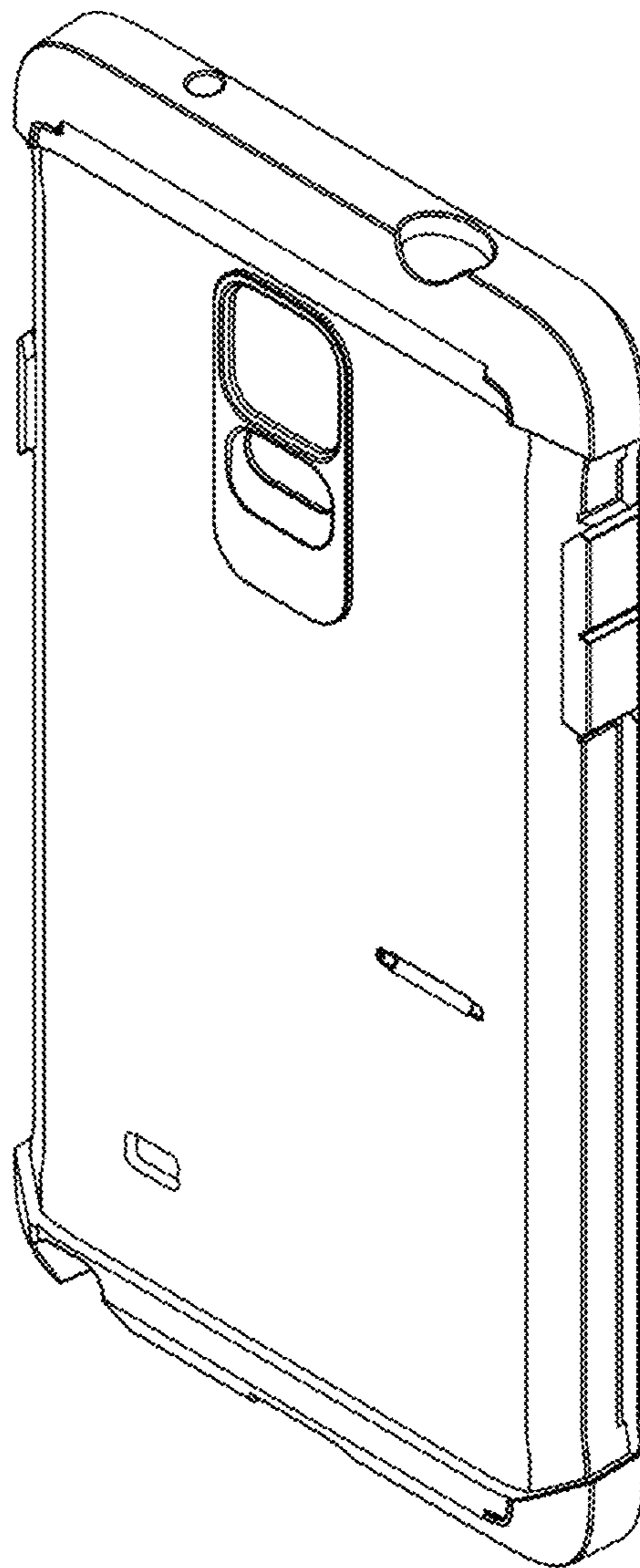


FIG. 13

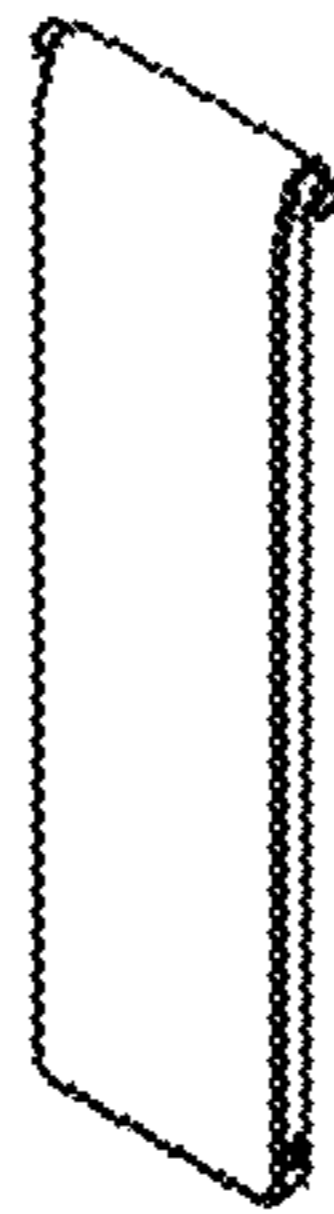


FIG. 14



FIG. 15

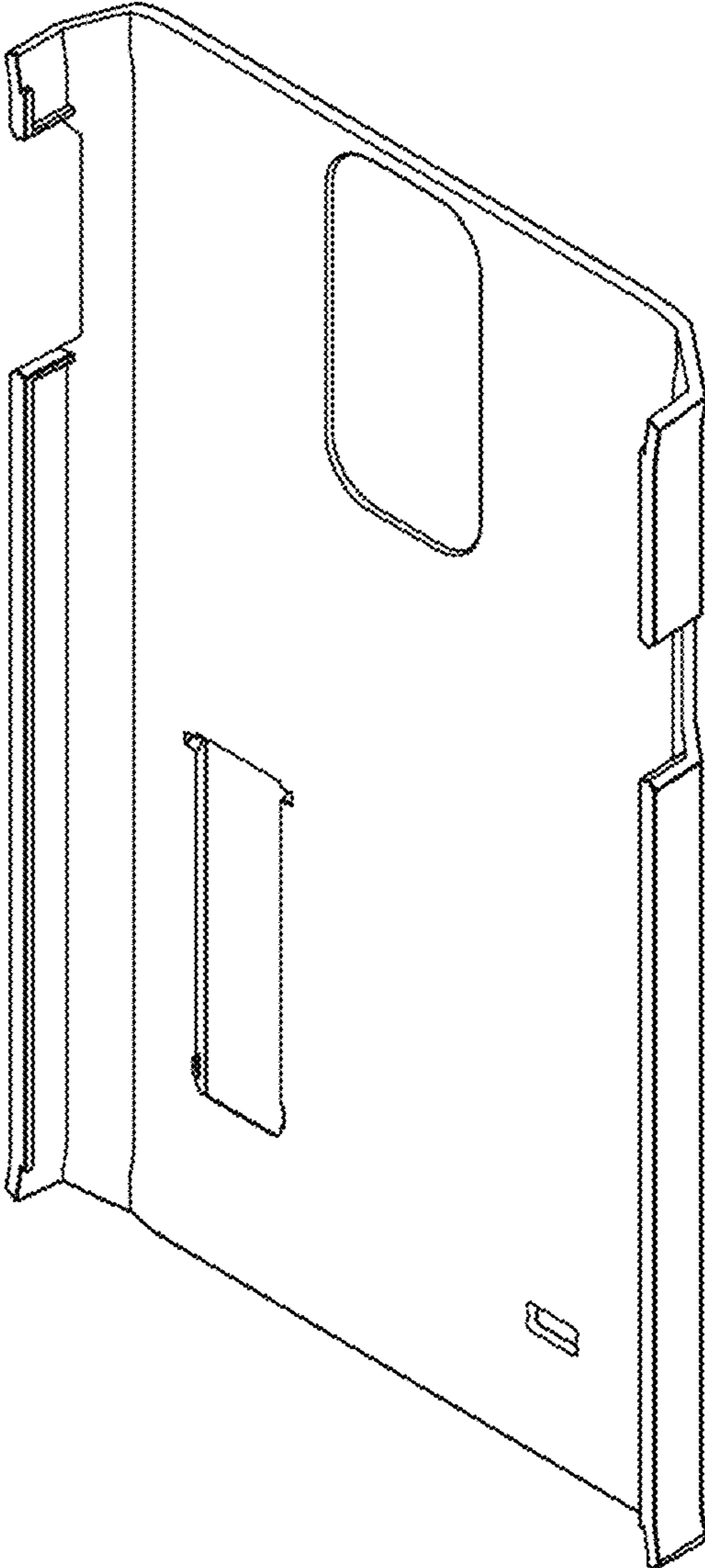


FIG. 16

