



US00D800705S

(12) **United States Design Patent** (10) **Patent No.:** **US D800,705 S**
Choi et al. (45) **Date of Patent:** **** Oct. 24, 2017**

(54) **TELEVISION RECEIVER**

FOREIGN PATENT DOCUMENTS

(71) Applicant: **SAMSUNG ELECTRONICS CO., LTD.**, Suwon-si (KR)

CN 2009302223165 6/2009
CN 2013302770407 11/2013

(Continued)

(72) Inventors: **Su-An Choi**, Seoul (KR); **Han-Sol Kwon**, Gwangmyeong (KR)

Primary Examiner — Randall Gholson

(74) *Attorney, Agent, or Firm* — NSIP Law

(73) Assignee: **Samsung Electronics Co., Ltd.**, Suwon-si (KR)

(**) Term: **15 Years**

(57) **CLAIM**

We claim the ornamental design for a television receiver, as shown and described.

(21) Appl. No.: **29/570,791**

(22) Filed: **Jul. 12, 2016**

DESCRIPTION

(30) **Foreign Application Priority Data**

Mar. 14, 2016 (KR) 30-2016-0011698

(51) **LOC (10) Cl.** **14-03**

(52) **U.S. Cl.**
USPC **D14/239**; D14/126

(58) **Field of Classification Search**
USPC D14/125–134, 239, 371, 136, 374–377, D14/440, 450, 448, 336, 342, 159; 312/7.2; 348/836, 838, 180, 184, 325, 348/739; 248/917–924, 465; 345/104, 345/133, 156, 168, 87, 173; D21/329, D21/515, 577, 622, 333, 433, 448, 452, D21/450, 331, 505; D10/15, 26; 446/484, 175, 356; D6/477, 479, 300; D24/185; D34/14

CPC ... G06F 1/1601; G06F 1/1643; H05K 5/0004; H05K 5/0017; H05K 5/02; H05K 5/0217

See application file for complete search history.

(56) **References Cited**

U.S. PATENT DOCUMENTS

D481,038 S * 10/2003 Borsboom D14/375
D489,342 S * 5/2004 Campbell D14/130
D699,205 S * 2/2014 Kim D14/126

(Continued)

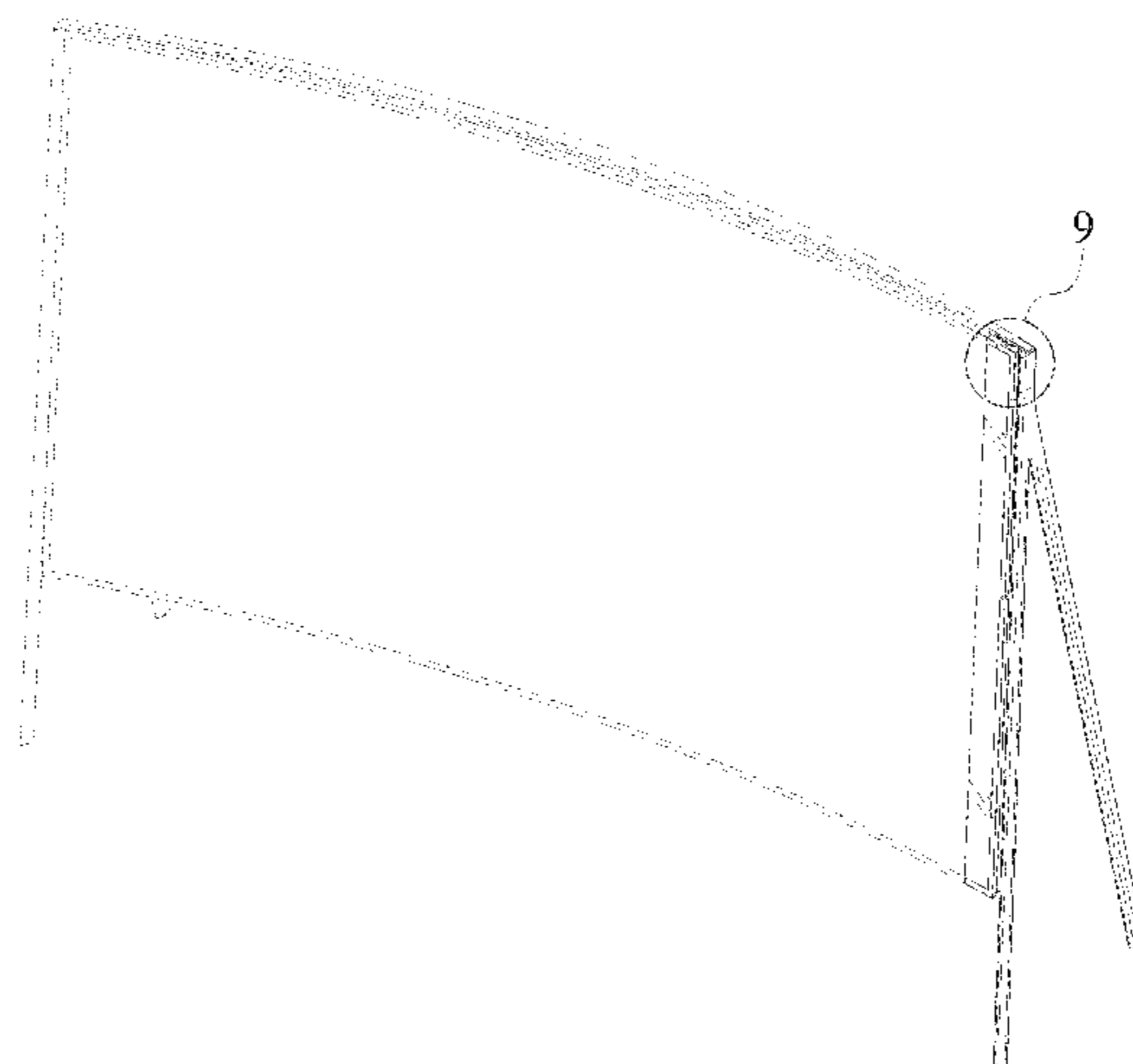
FIG. 1 is a front perspective view of a television receiver showing our new design;
FIG. 2 is a front view thereof;
FIG. 3 is a rear view thereof;
FIG. 4 is a left-side view thereof;
FIG. 5 is a right-side view thereof;
FIG. 6 is a top view thereof;
FIG. 7 is a bottom view thereof;
FIG. 8 is a rear perspective view thereof;
FIG. 9 is an enlarged view of the encircled portion in FIG. 1;
FIG. 10 is an enlarged view of the encircled portion in FIG. 6;
FIG. 11 is an enlarged view of the encircled portion in FIG. 7; and,
FIG. 12 is an enlarged view of the encircled portion in FIG. 8.

The broken lines in the figures depict environmental subject matter and form no part of the claimed design.

The dot-dash broken lines define the boundaries of the claimed design and form no part thereof.

The dot-dot-dash broken lines encircling portions of the claimed design that are illustrated in enlargements form no part of the claimed design.

1 Claim, 12 Drawing Sheets



(56)

References Cited

U.S. PATENT DOCUMENTS

D716,244 S * 10/2014 Kim D14/239
D737,792 S * 9/2015 Park D14/126
D755,743 S * 5/2016 Kim D14/126
D757,667 S * 5/2016 Yokota D14/126

FOREIGN PATENT DOCUMENTS

CN 2014302271808 12/2014
KR 30-2013-0027725 3/2014

* cited by examiner

FIG. 1

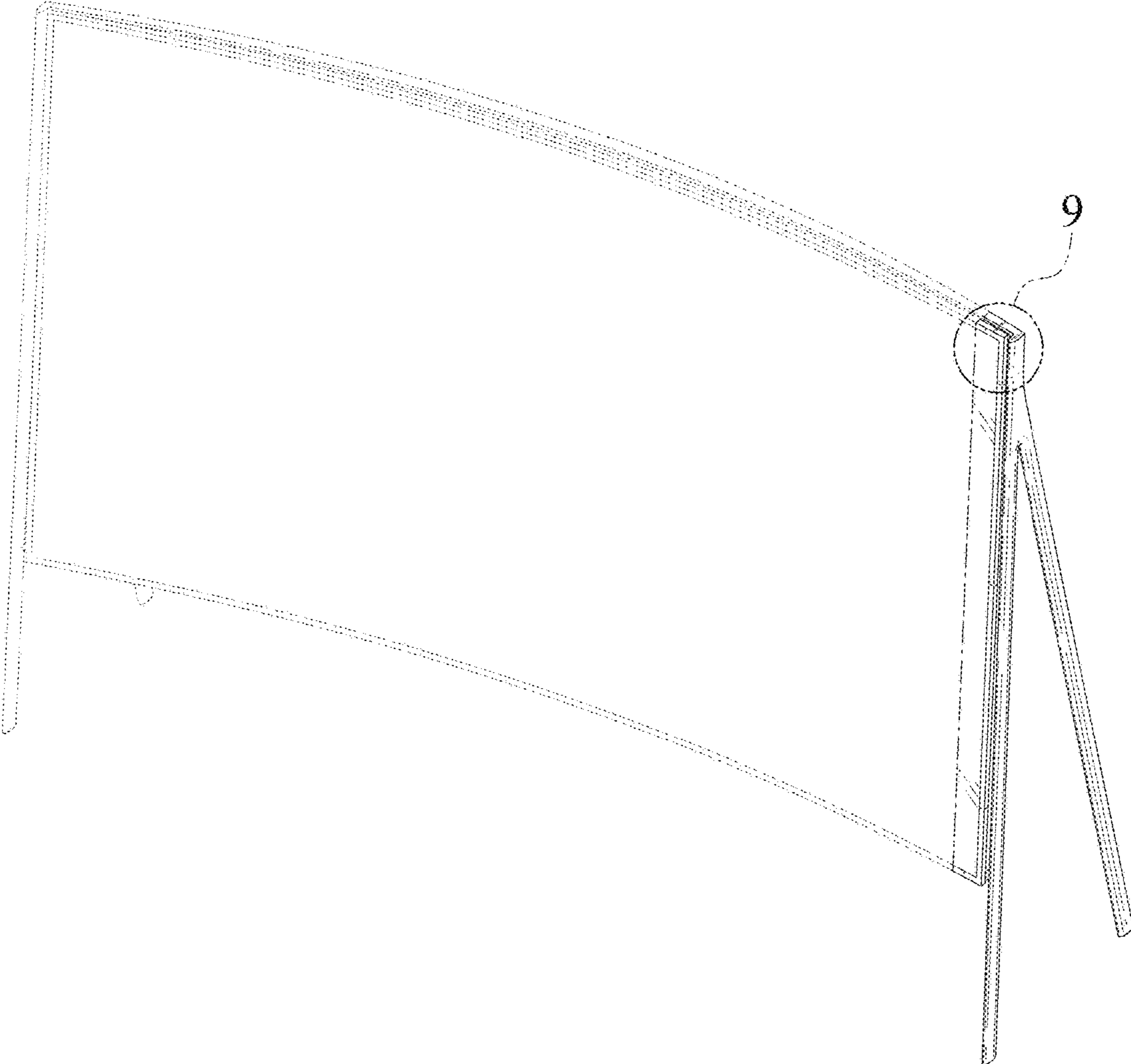


FIG. 2

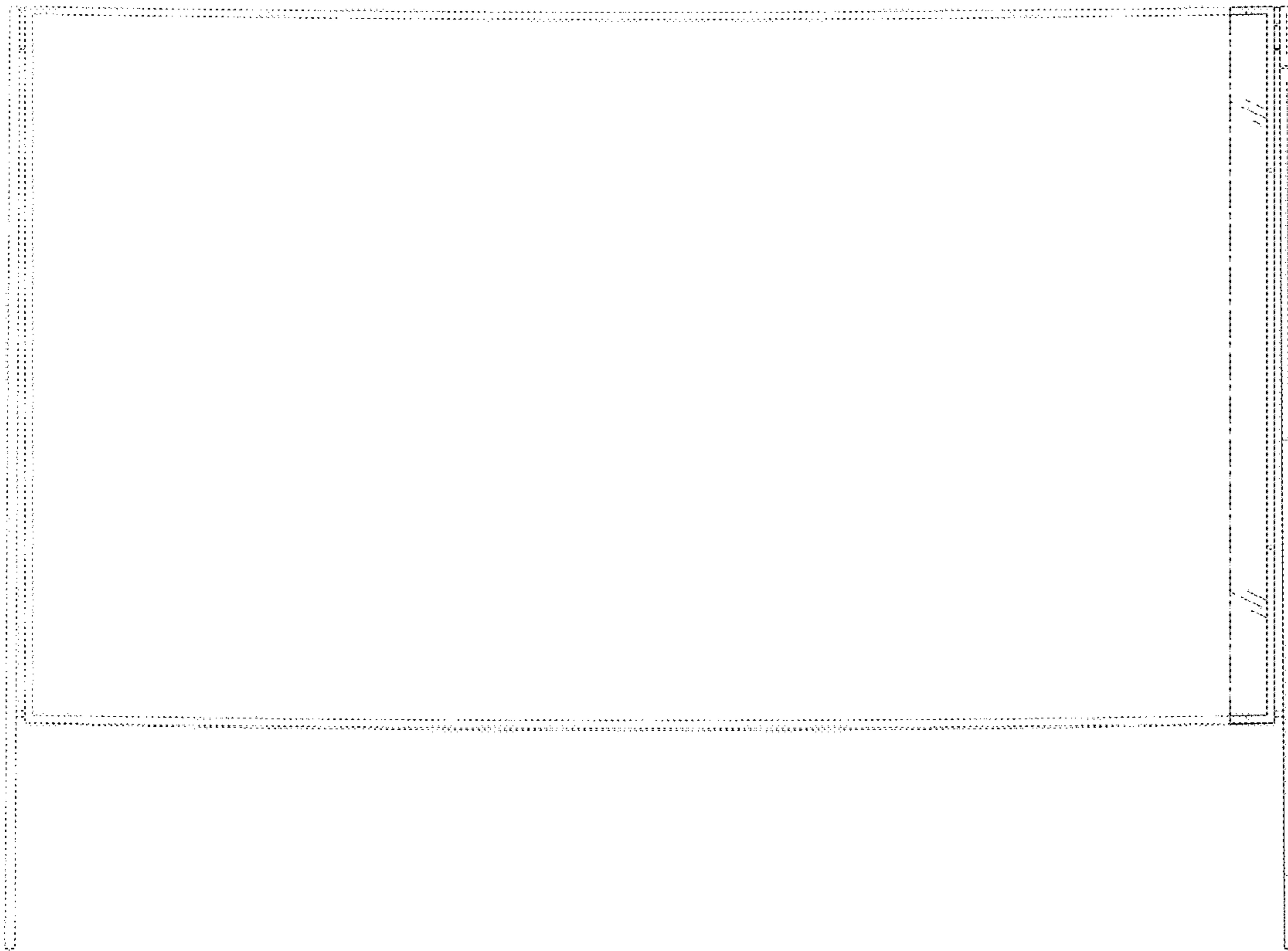


FIG. 3

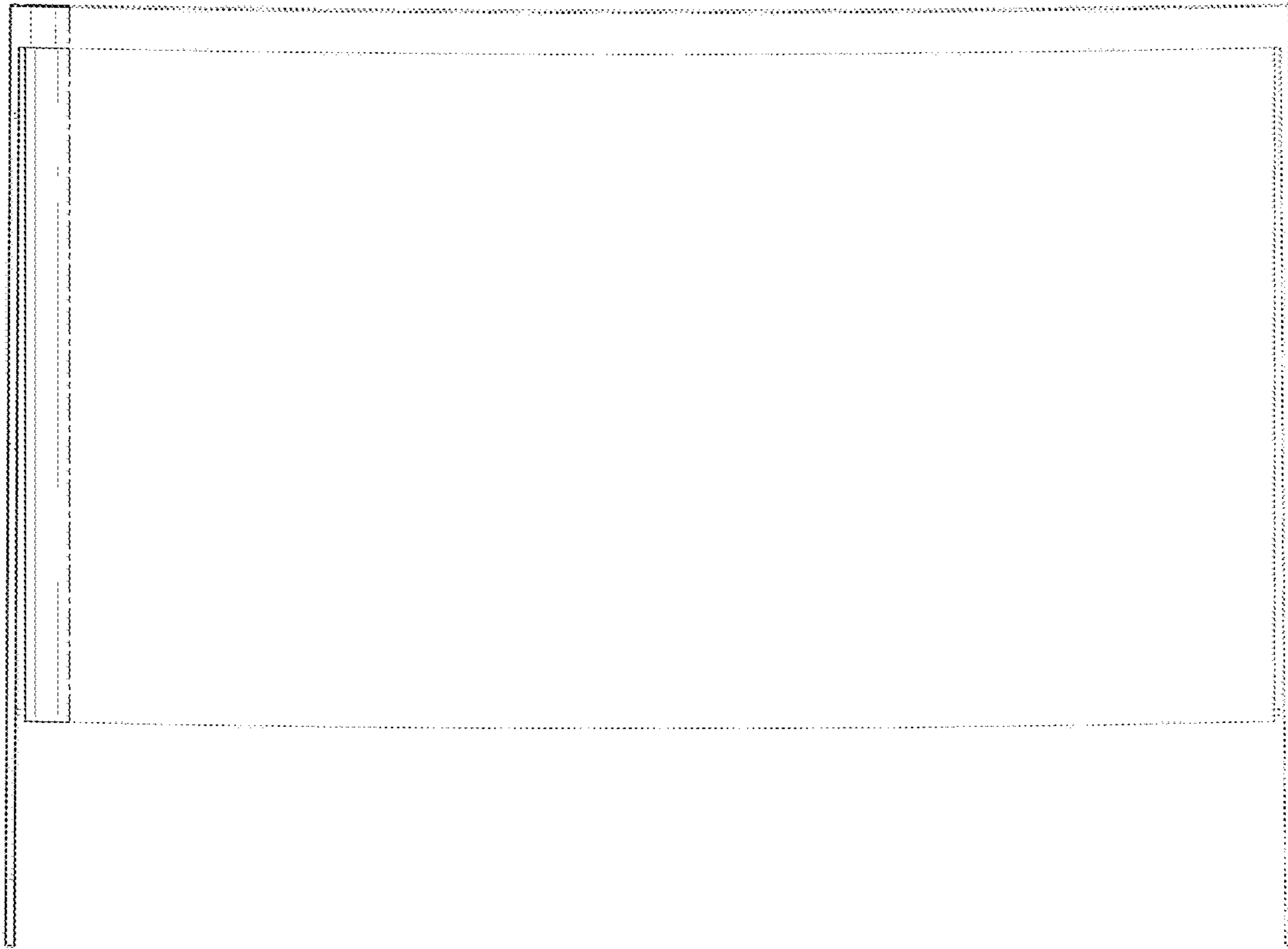


FIG. 4

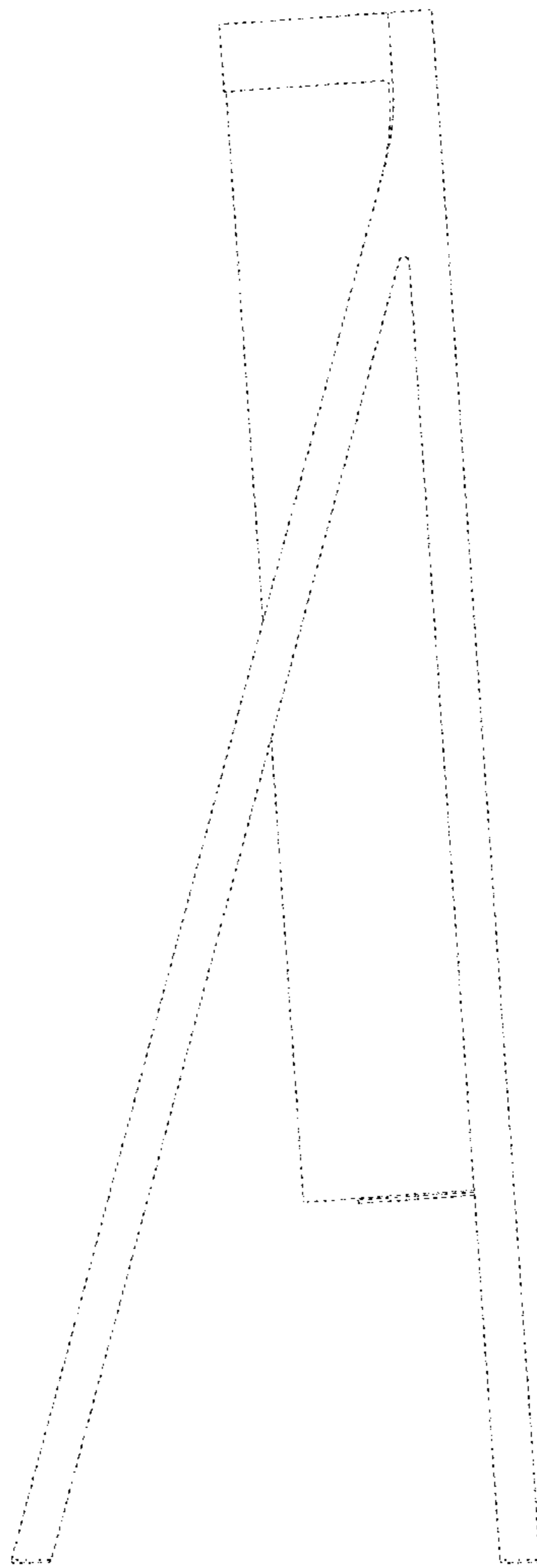


FIG. 5

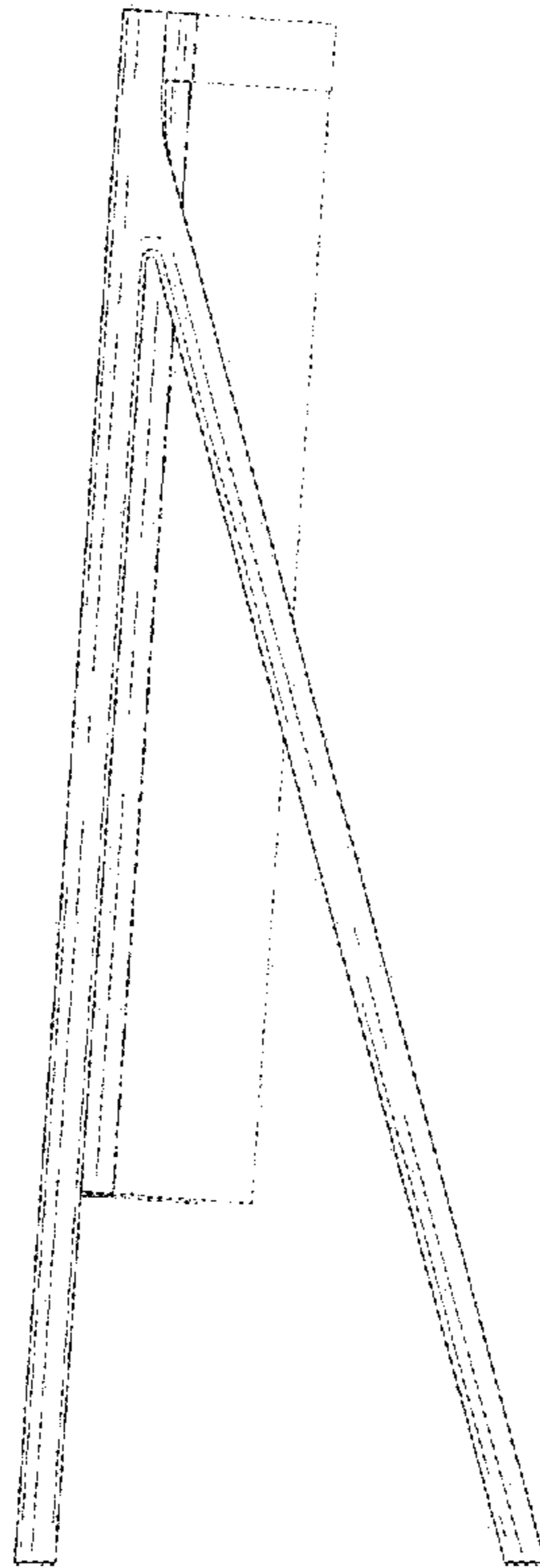


FIG. 6

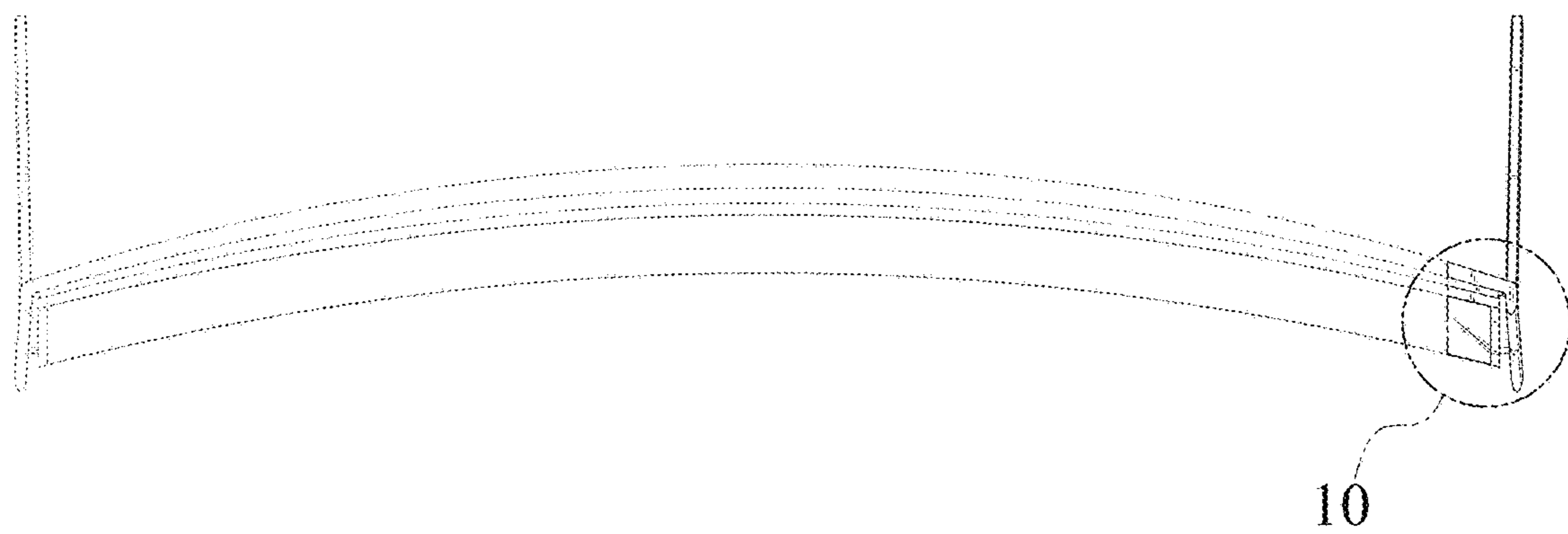


FIG. 7

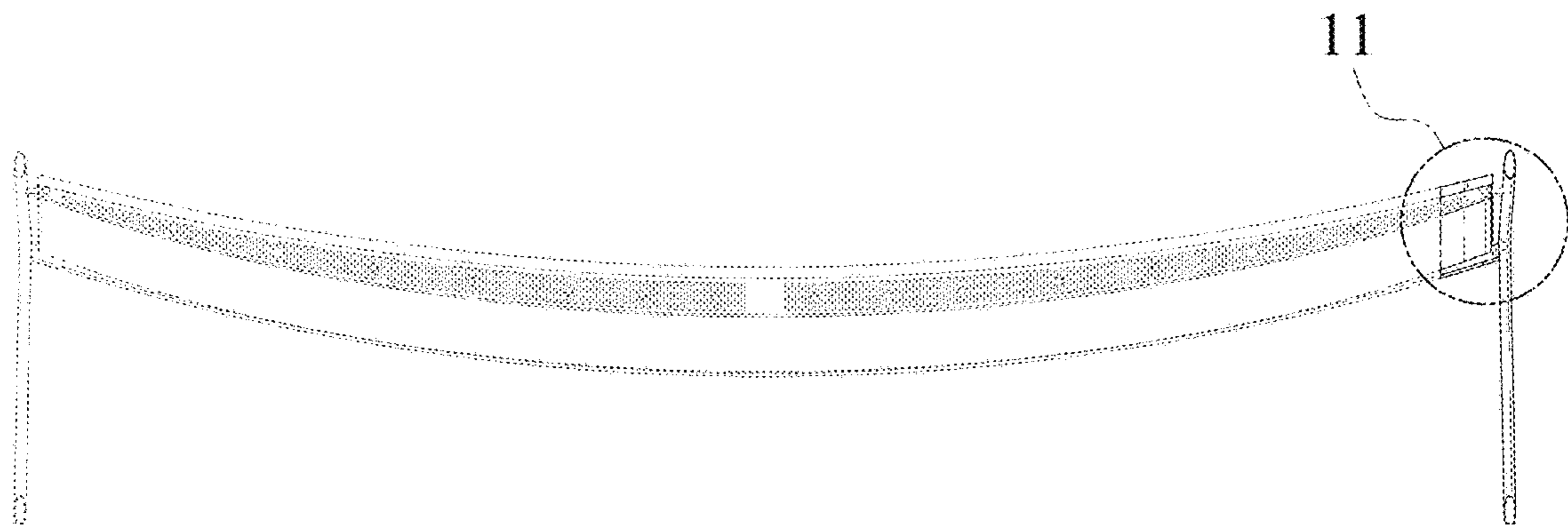


FIG. 8

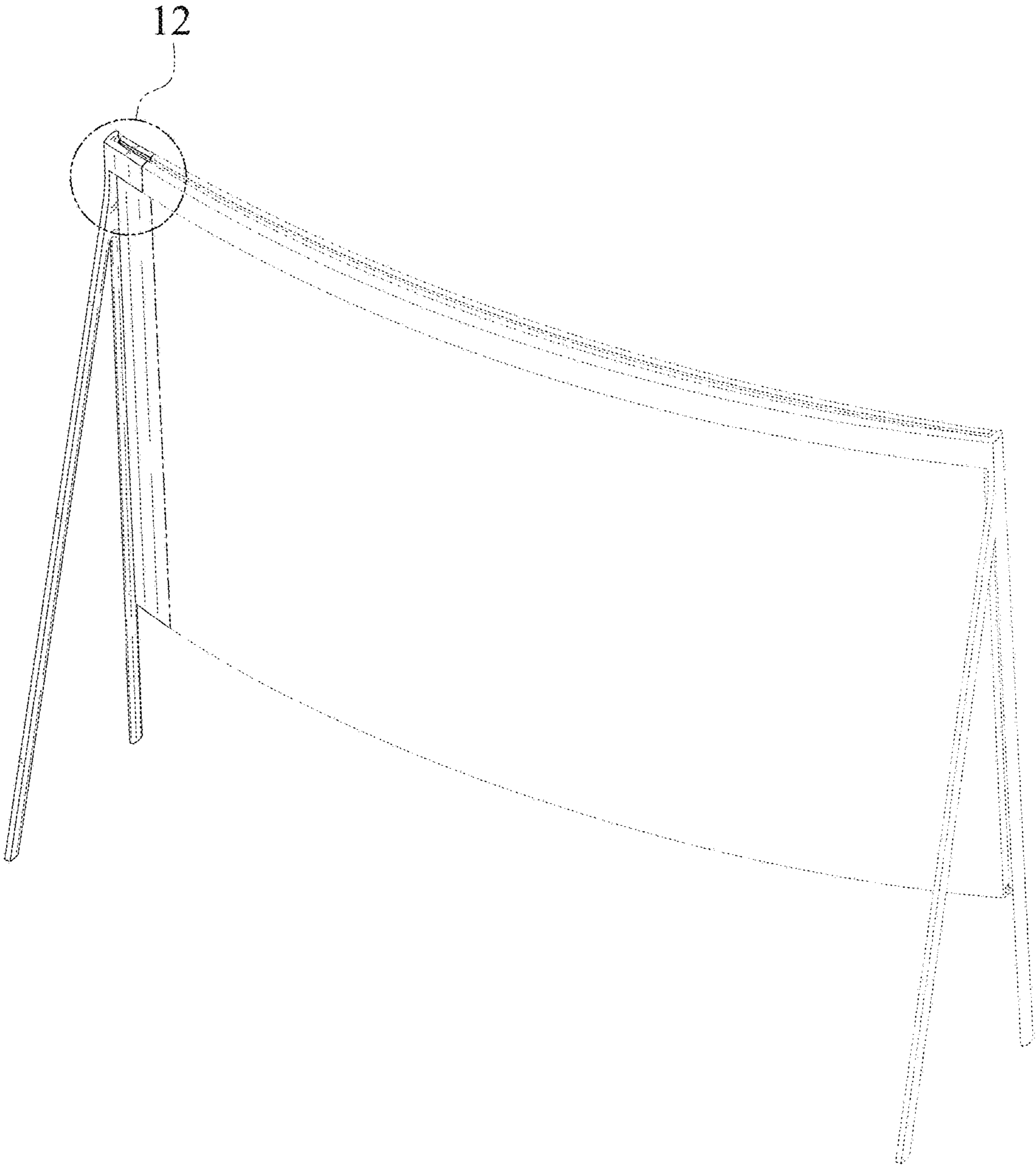


FIG. 9

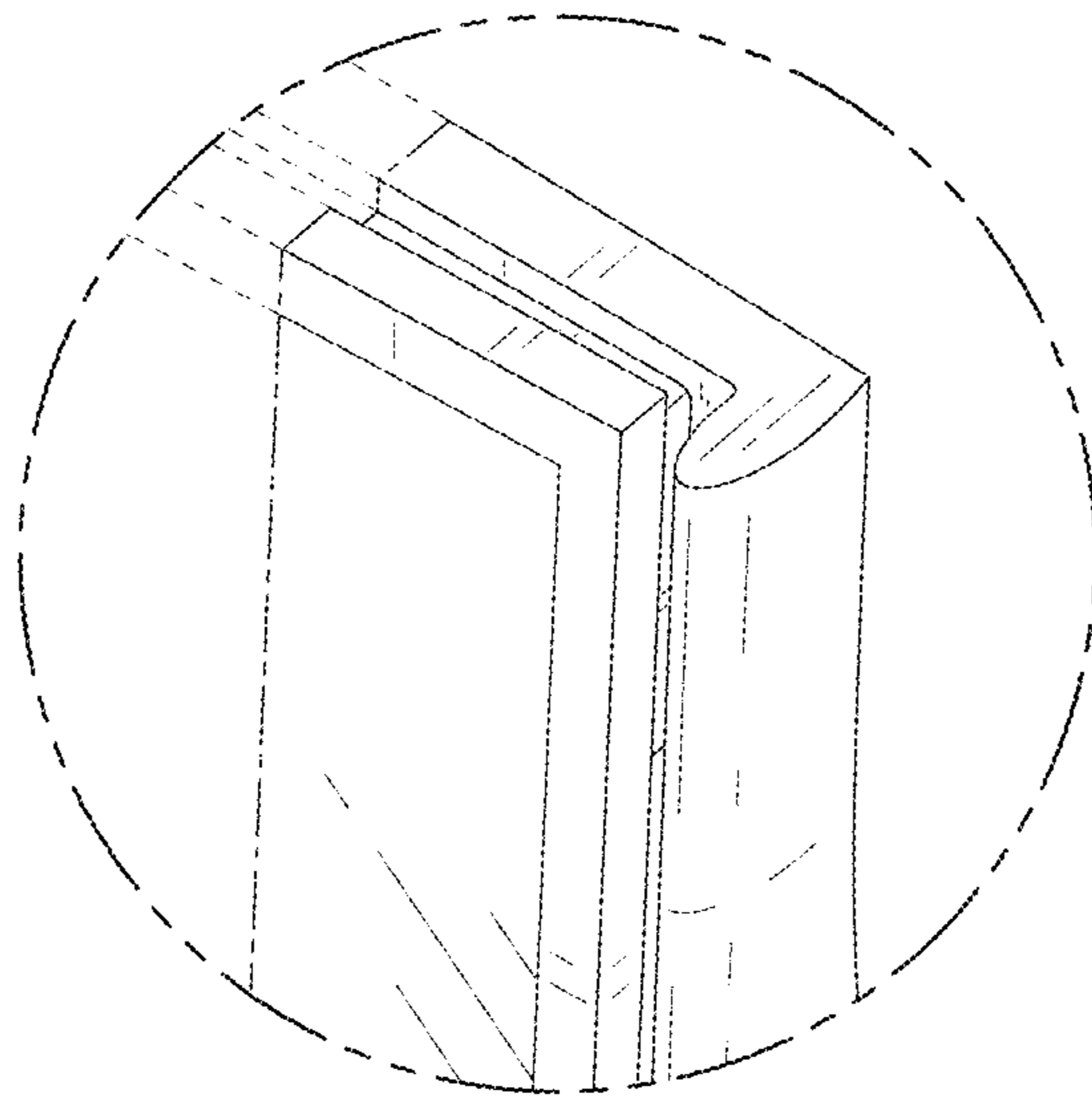


FIG. 10

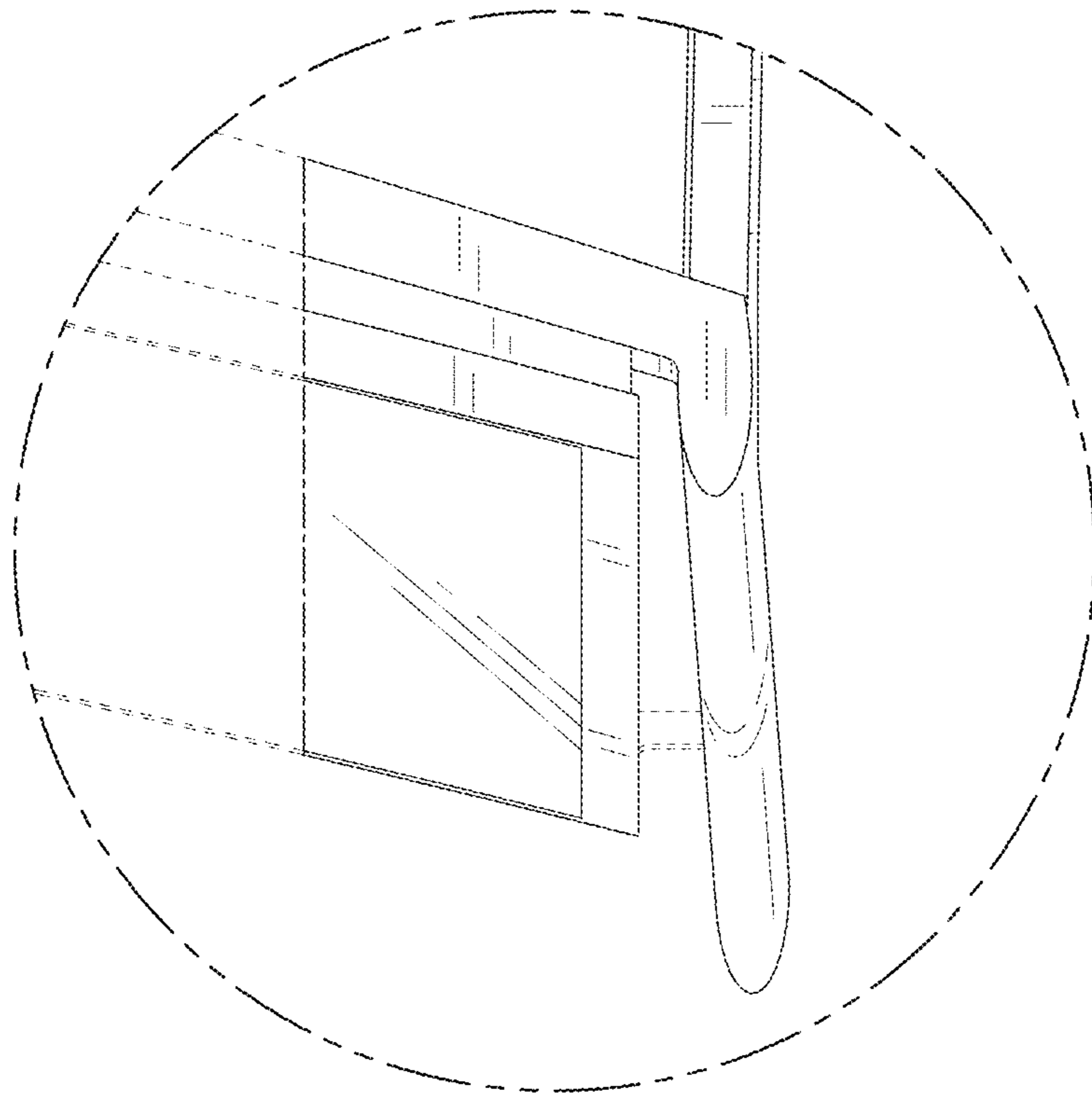


FIG. 11

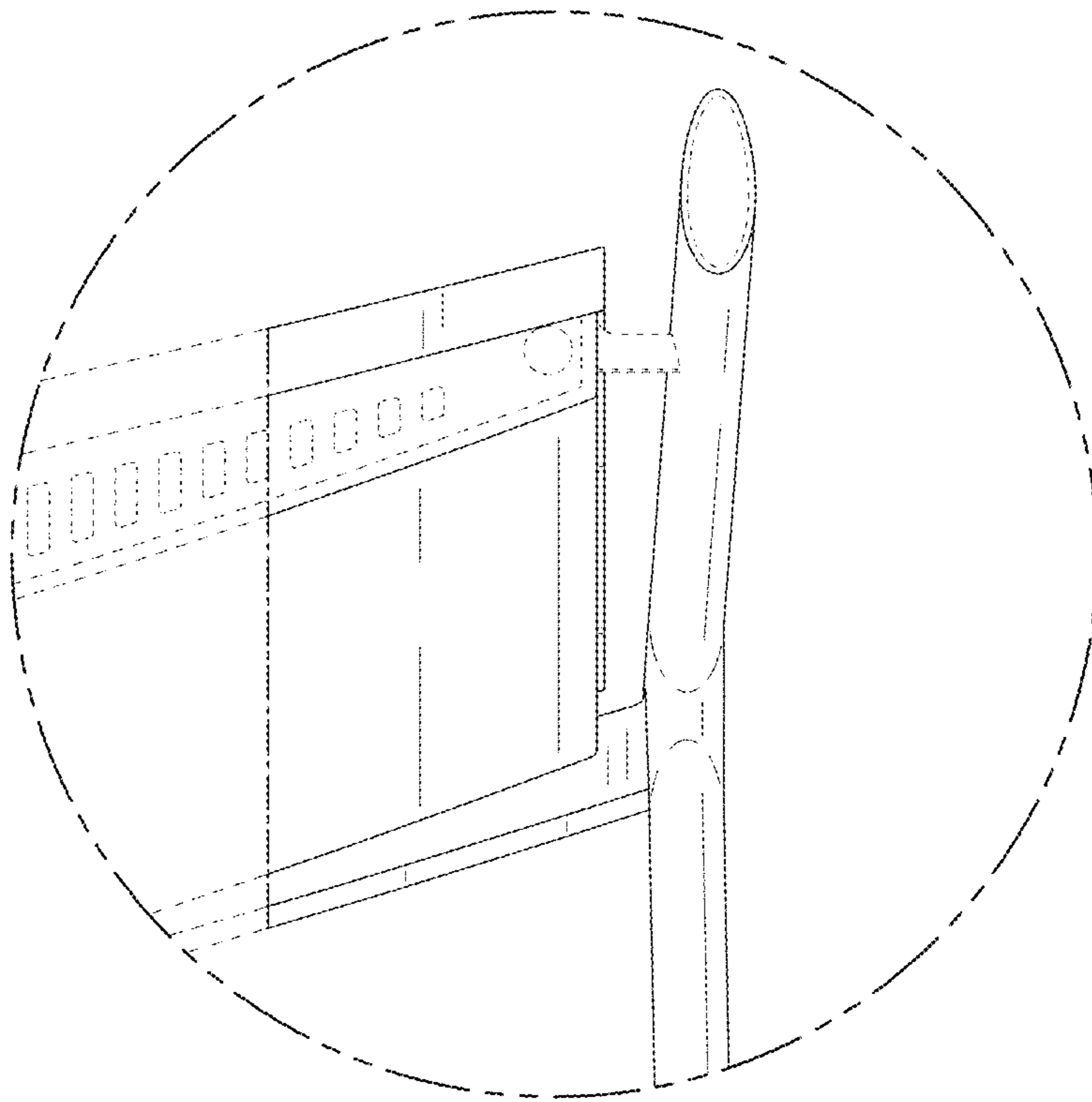


FIG. 12

