



US00D800703S

(12) **United States Design Patent**
Vaclavik

(10) **Patent No.:** **US D800,703 S**

(45) **Date of Patent:** **** *Oct. 24, 2017**

(54) **EARBUD**

(71) Applicant: **Harman International Industries, Incorporated**, Northridge, CA (US)

(72) Inventor: **Ondrej Vaclavik**, Shenzhen (CN)

(73) Assignee: **Harman International Industries, Incorporated**, Northridge, CA (US)

(*) Notice: This patent is subject to a terminal disclaimer.

(**) Term: **15 Years**

(21) Appl. No.: **29/538,483**

(22) Filed: **Sep. 3, 2015**

(51) **LOC (10) Cl.** **14-01**

(52) **U.S. Cl.**
USPC **D14/223**

(58) **Field of Classification Search**
USPC D14/223, 205, 206; D24/174; 181/129,
181/130, 135; 128/864, 866, 867;
381/381

CPC H04R 25/00; H04R 25/02; H04R 1/10
See application file for complete search history.

(56) **References Cited**

U.S. PATENT DOCUMENTS

D558,735 S *	1/2008	Carr	D14/206
D563,394 S *	3/2008	Donaldson	D14/223
D618,211 S *	6/2010	Oguro	D14/205
D641,008 S *	7/2011	Lee	D14/223
D689,848 S *	9/2013	Lee	D14/223
D694,220 S *	11/2013	Lee	D14/223
D698,760 S *	2/2014	Lee	D14/223
D705,757 S *	5/2014	Yashiro	H04R 1/10
				D14/223
D712,884 S *	9/2014	Krauss	D14/205
D715,253 S *	10/2014	Lee	D14/205
D732,508 S *	6/2015	Funayama	D14/223
D737,251 S *	8/2015	Thompson	D14/223

D740,255 S *	10/2015	Samrelius	D14/206
D758,355 S *	6/2016	Lee	D14/223
D759,633 S *	6/2016	Gondo	D14/223
D762,196 S *	7/2016	Hsieh	D14/223

(Continued)

OTHER PUBLICATIONS

Pocket-lint—JBL Reflect Response earbuds, announced Mar. 2, 2015 [online], [site visited Mar. 23, 2017]. Available from internet, URL: <<http://www.pocket-lint.com/news/132999-jbl-reflect-response-earbuds-have-gesture-control-so-you-can-wave-in-the-air-like-you-just-don-t-care>>.*

(Continued)

Primary Examiner — Keli L Hill

Assistant Examiner — Karra S Johnson

(74) *Attorney, Agent, or Firm* — Plumsea Law Group, LLC

(57) **CLAIM**

The ornamental design for an earbud, as shown and described.

DESCRIPTION

This application is being filed on the same day as U.S. Design patent application Ser. No. 29/538,478, the contents of which is hereby incorporated by reference in its entirety. FIG. 1 is a frontal perspective view of an earbud showing my new design;

FIG. 2 is a rear perspective view thereof;

FIG. 3 is a front elevational view thereof;

FIG. 4 is a rear elevational view thereof;

FIG. 5 is a side elevational view of one side thereof;

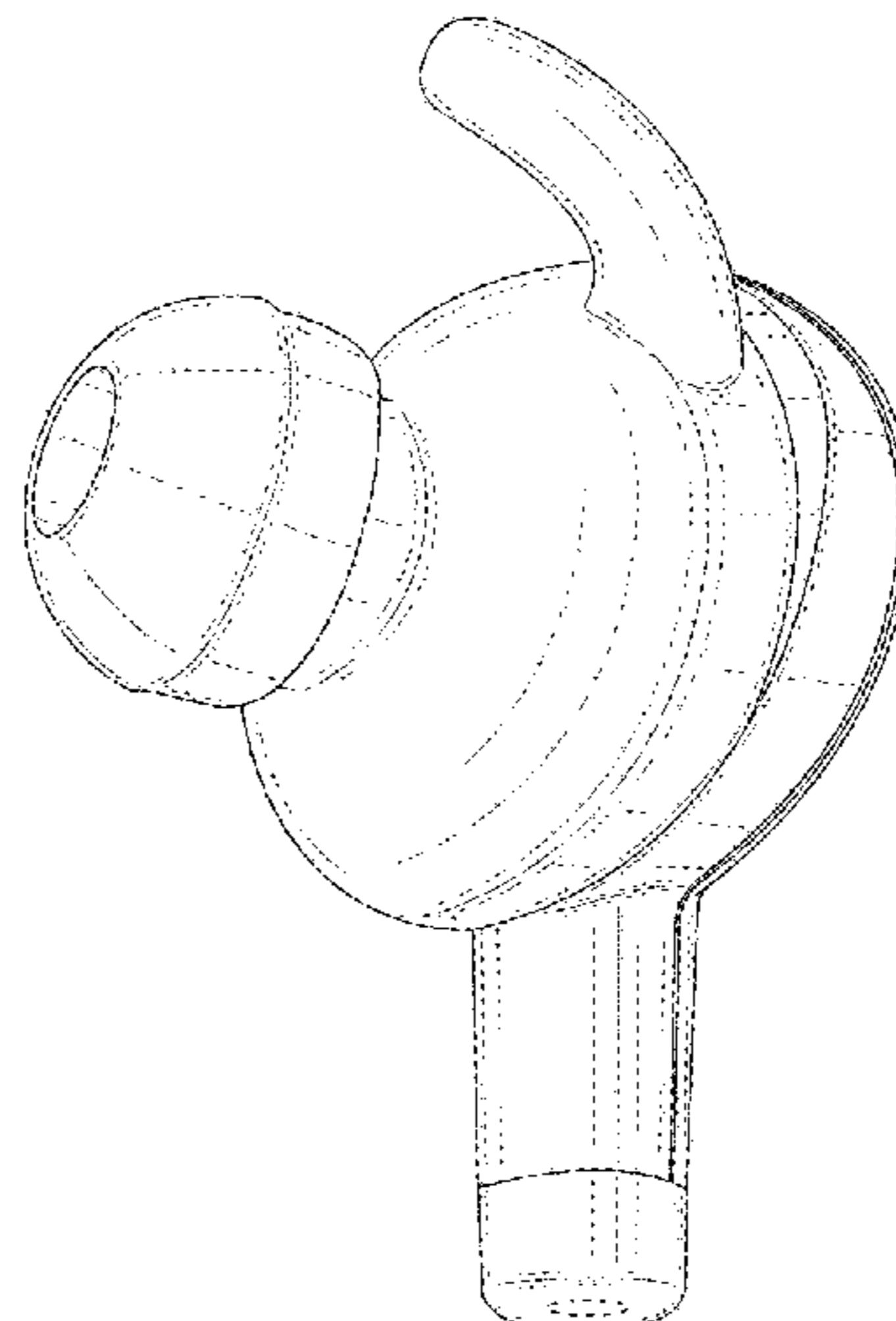
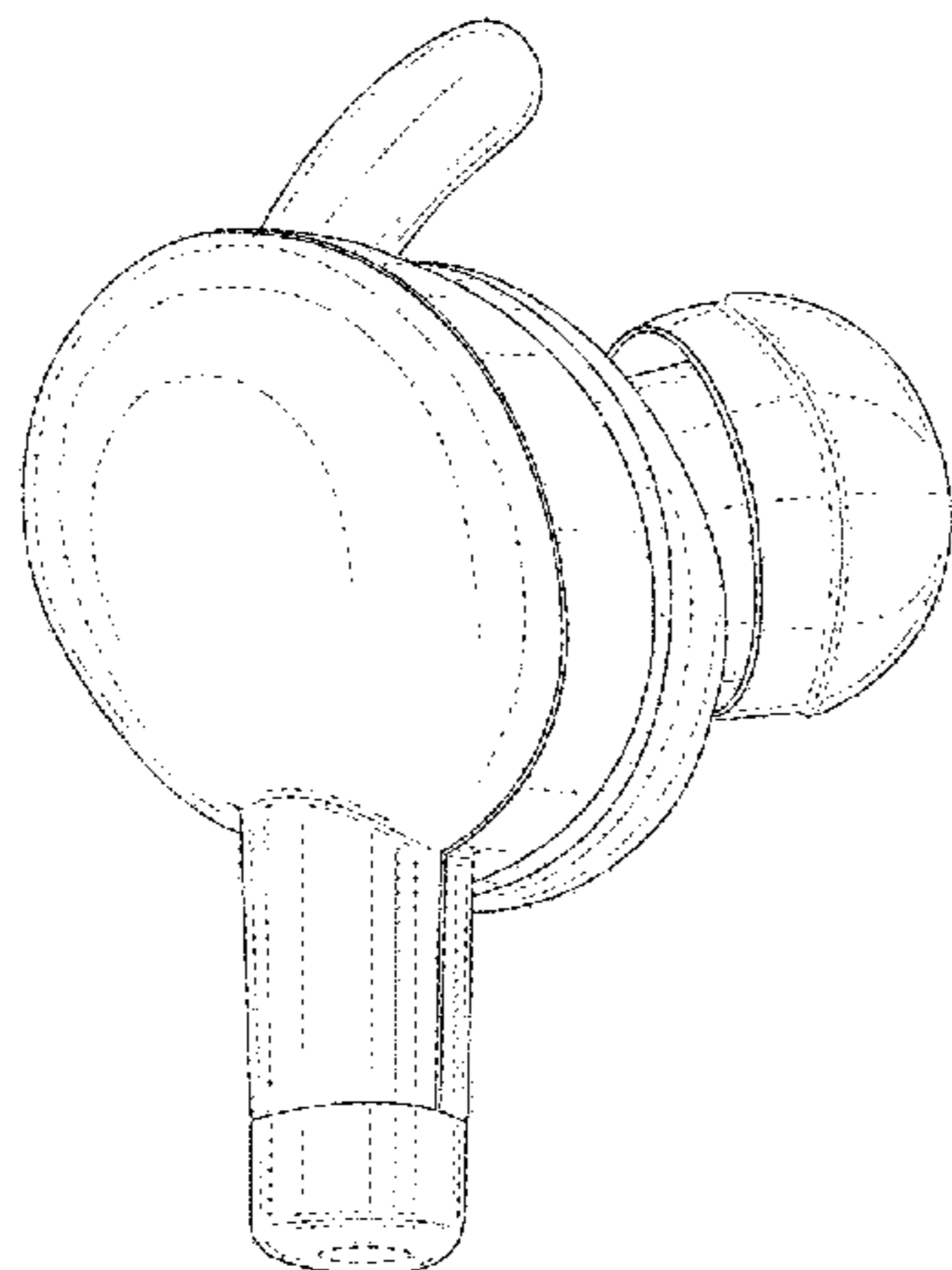
FIG. 6 is a side elevational view of the opposite side thereof;

FIG. 7 is a bottom plan view thereof; and,

FIG. 8 is a top plan view thereof.

The claimed design also encompasses a mirror image representation of each of the figures. The broken line showings form no part of the claimed design.

1 Claim, 8 Drawing Sheets



(56)

References Cited

U.S. PATENT DOCUMENTS

D764,436 S * 8/2016 Dryden D14/205
2016/0261942 A1 * 9/2016 Hayden H04R 1/105

OTHER PUBLICATIONS

Trusted Reviews—JBL Reflect Response headphones , announced Mar. 2, 2015 [online], [site visited Mar. 23, 2017]. Available from Internet, URL: <<http://www.trustedreviews.com/news/jbl-reflect-response-headphones-let-you-pause-audio-with-a-wave>>.*

Reviewed.com—JBL Synchros Reflect Headphones Review, announced Nov. 12, 2014 [online], [site visited Mar. 23, 2017]. Available from internet, URL: <<http://headphones.reviewed.com/content/jbl-synchros-reflect-headphones-review>>.*

iLounge—JBL Synchros Reflect, announced Jul. 9, 2014 [online], [site visited Mar. 23, 2017]. Available from internet, URL: <<http://www.ilounge.com/index.php/reviews/entry/jbl-synchros-reflect-in-ear-sport-headphones>>.*

* cited by examiner

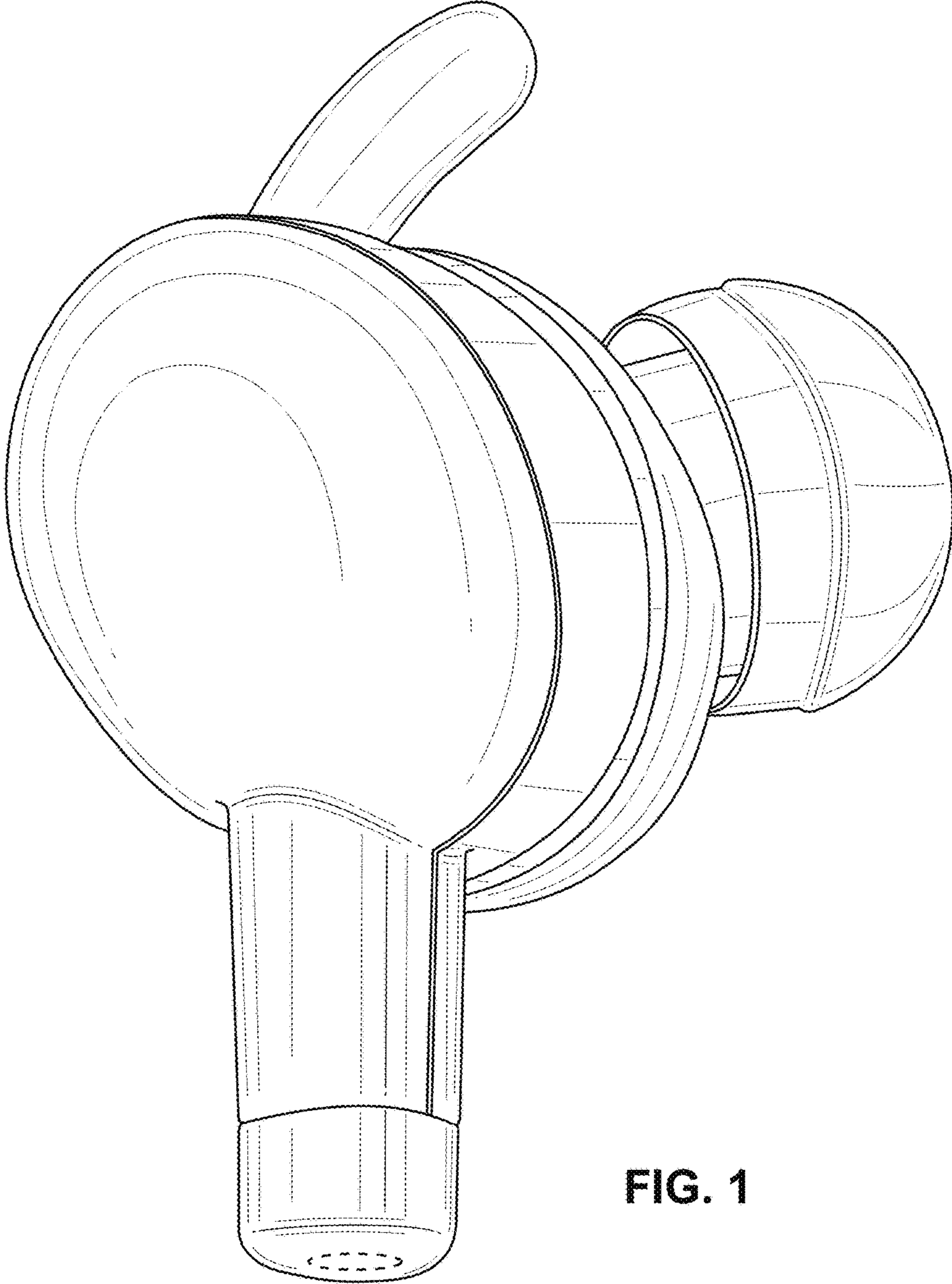


FIG. 1

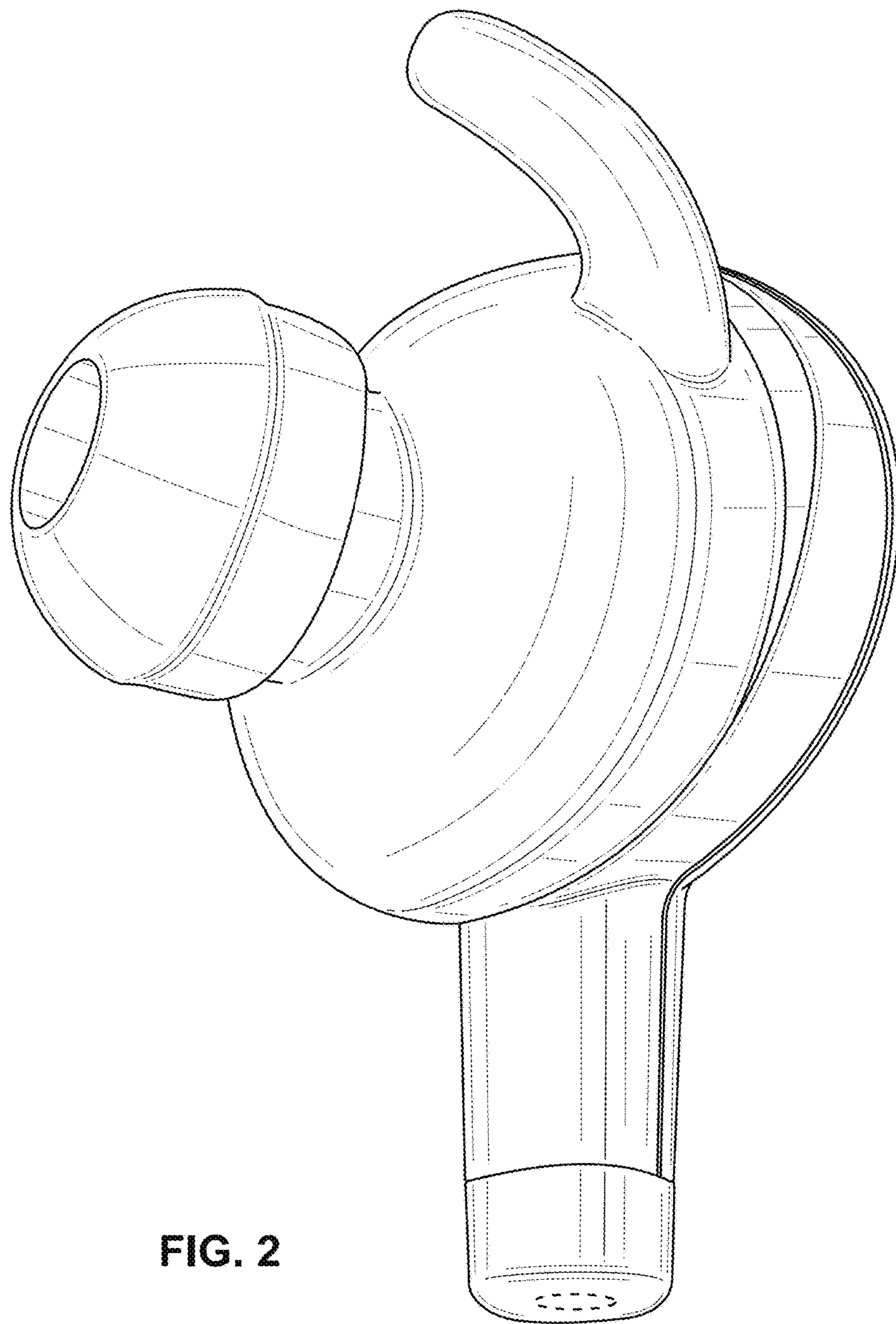


FIG. 2

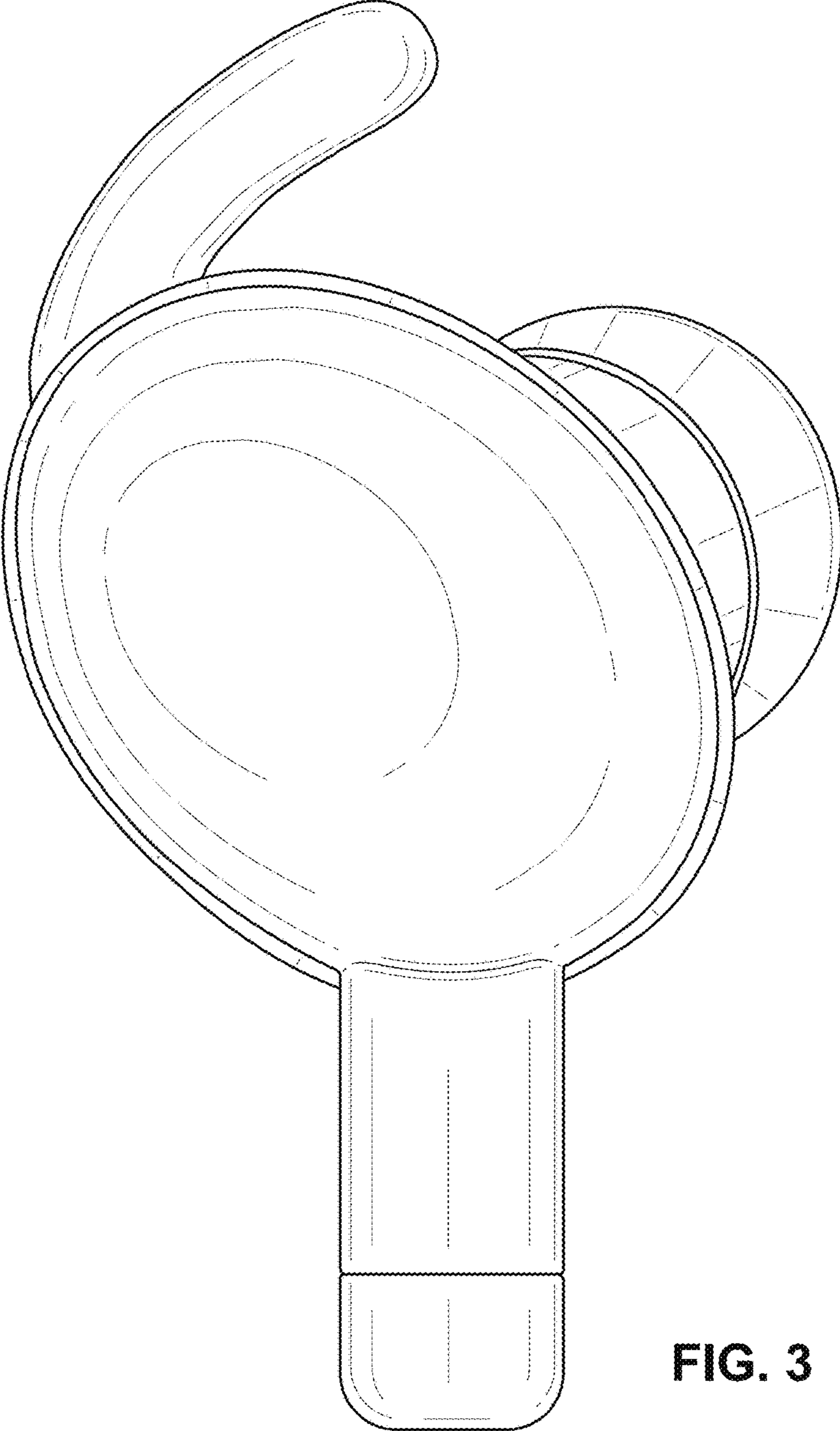


FIG. 3

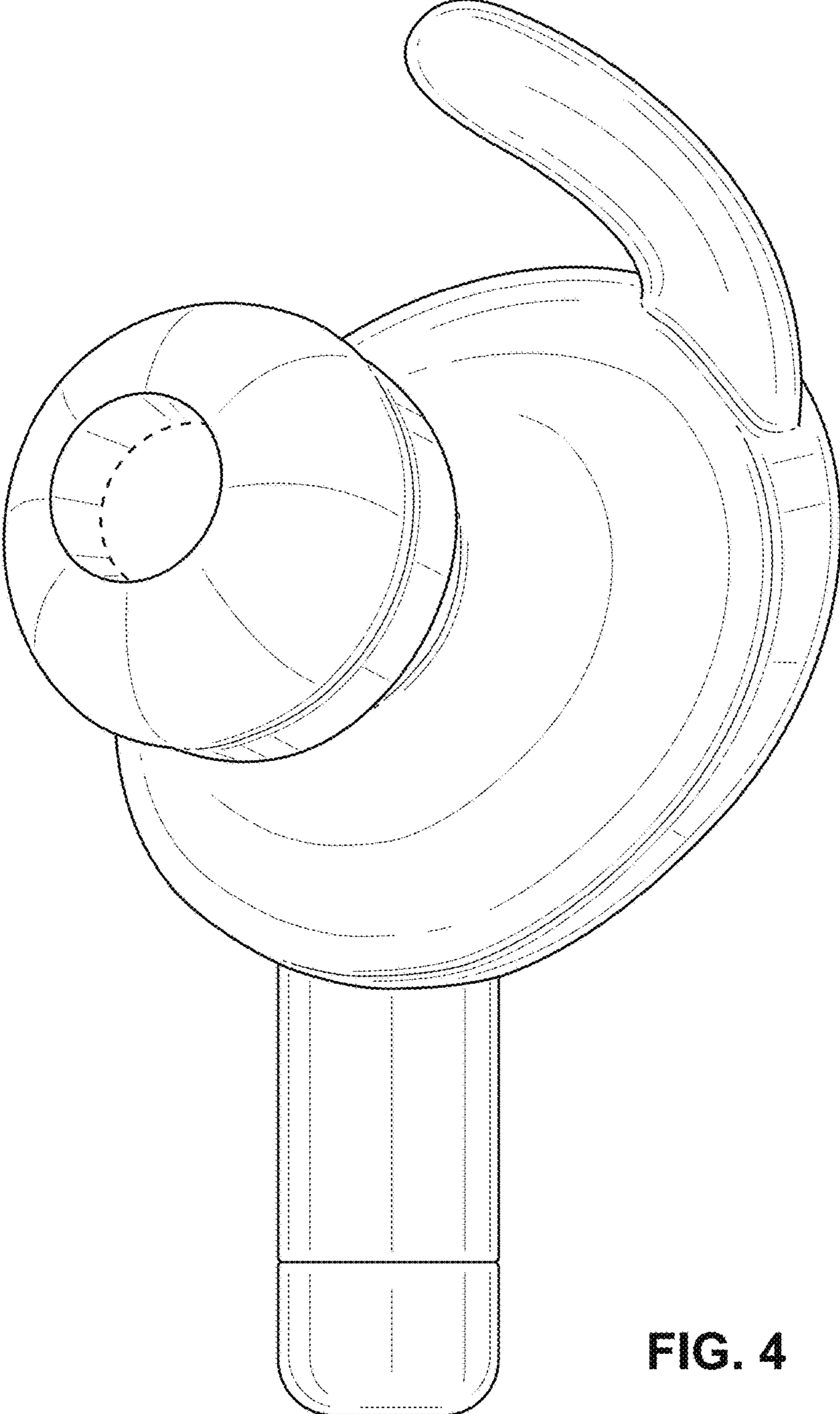


FIG. 4

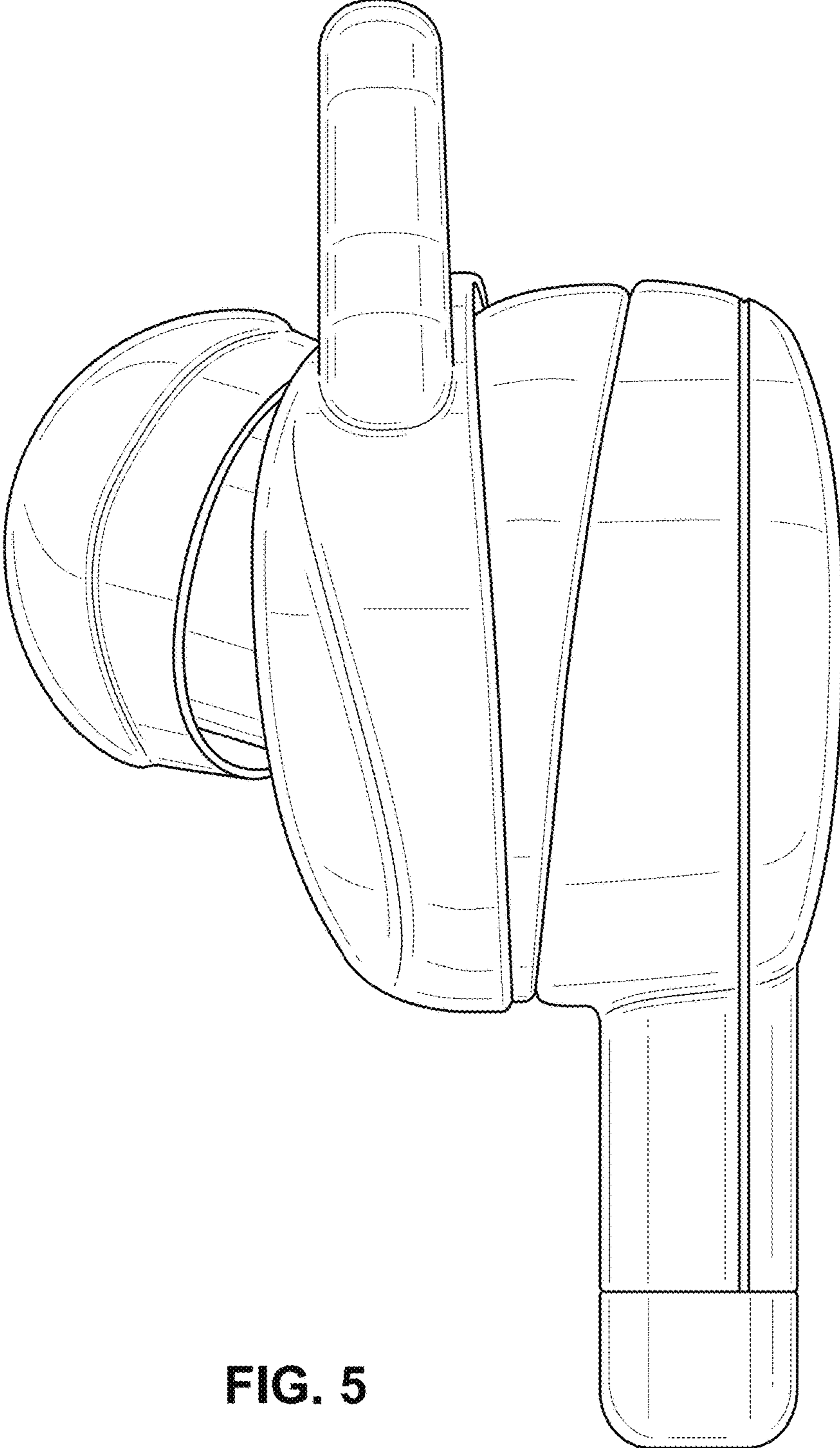


FIG. 5

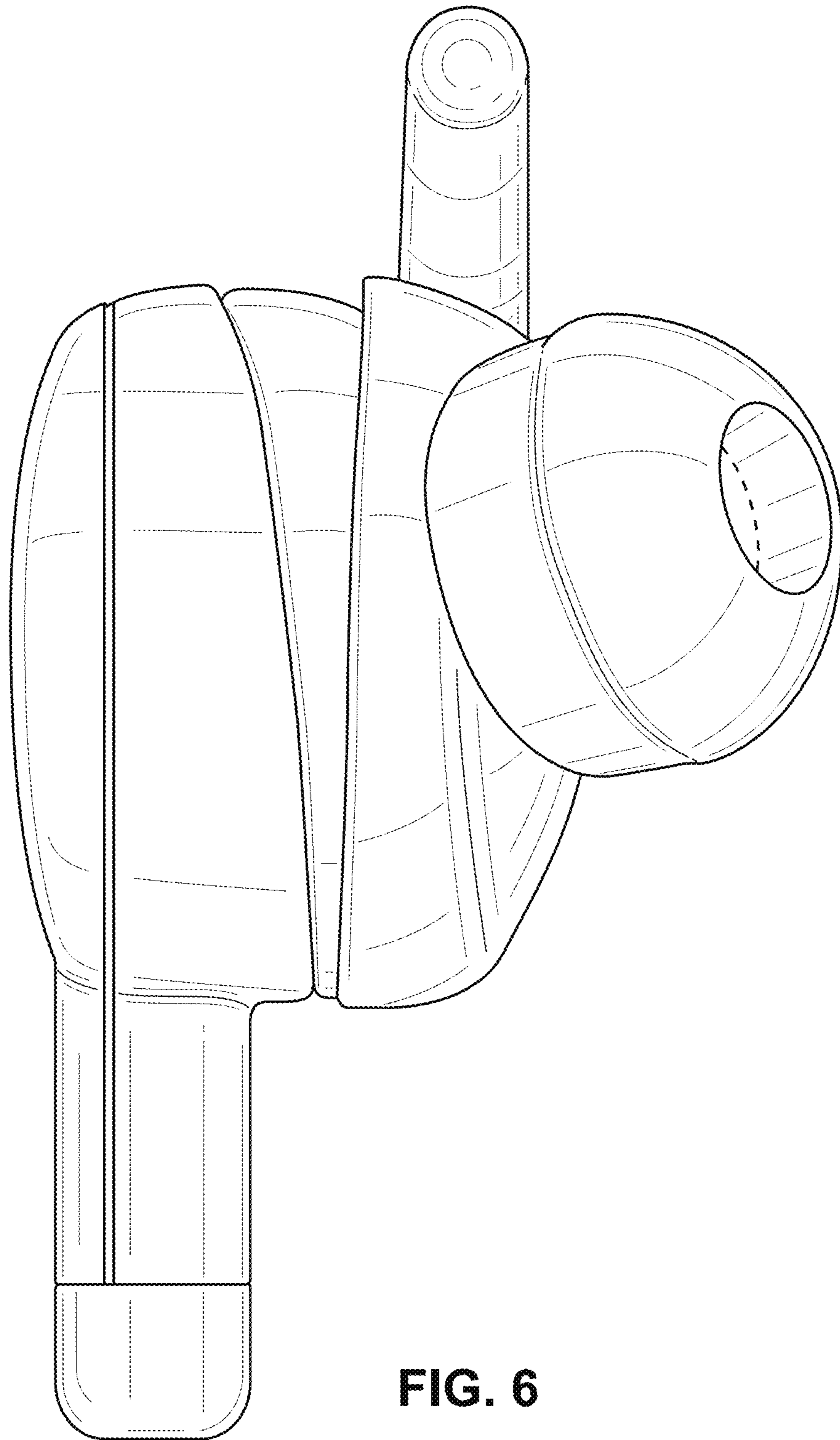


FIG. 6

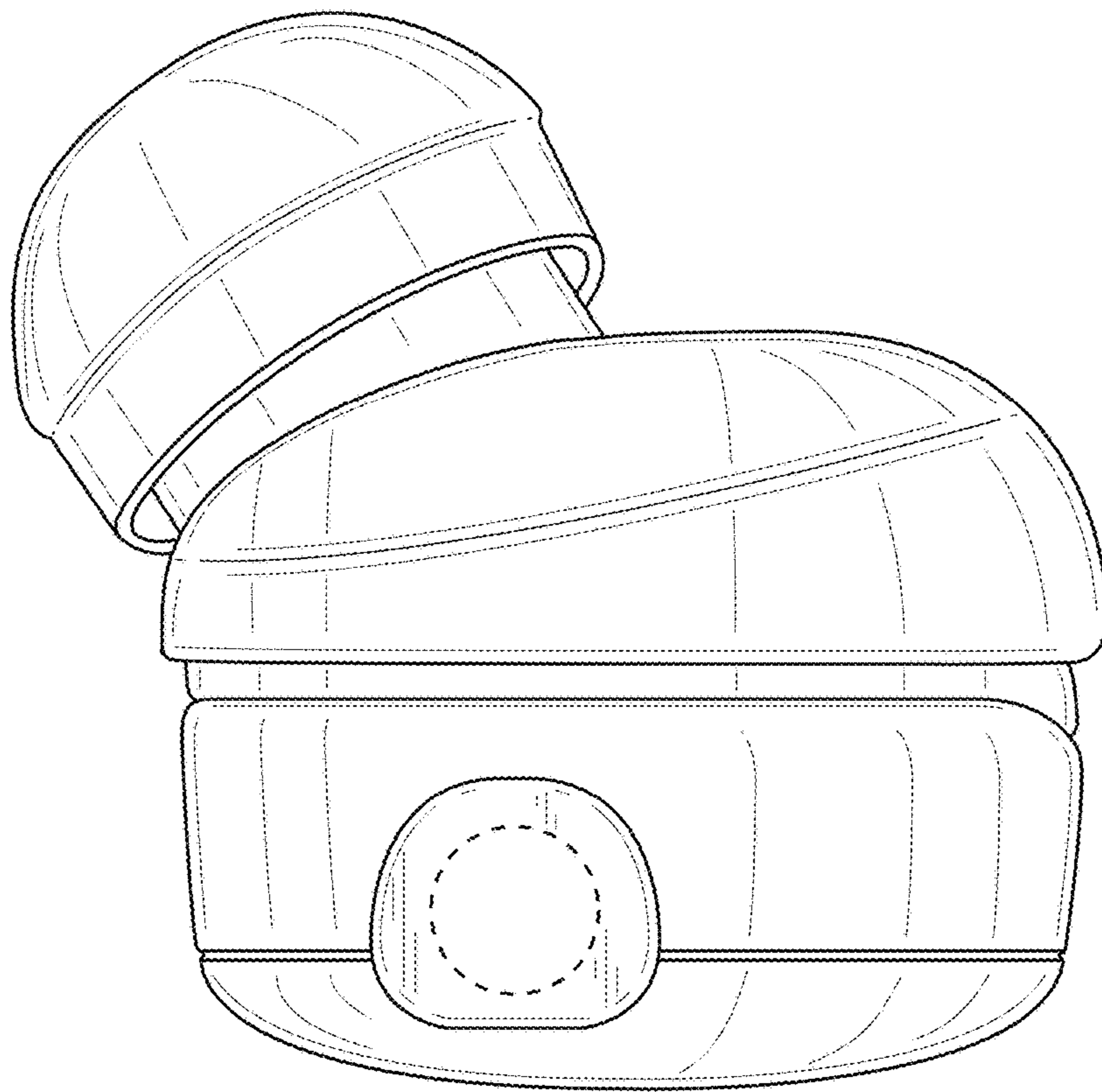


FIG. 7

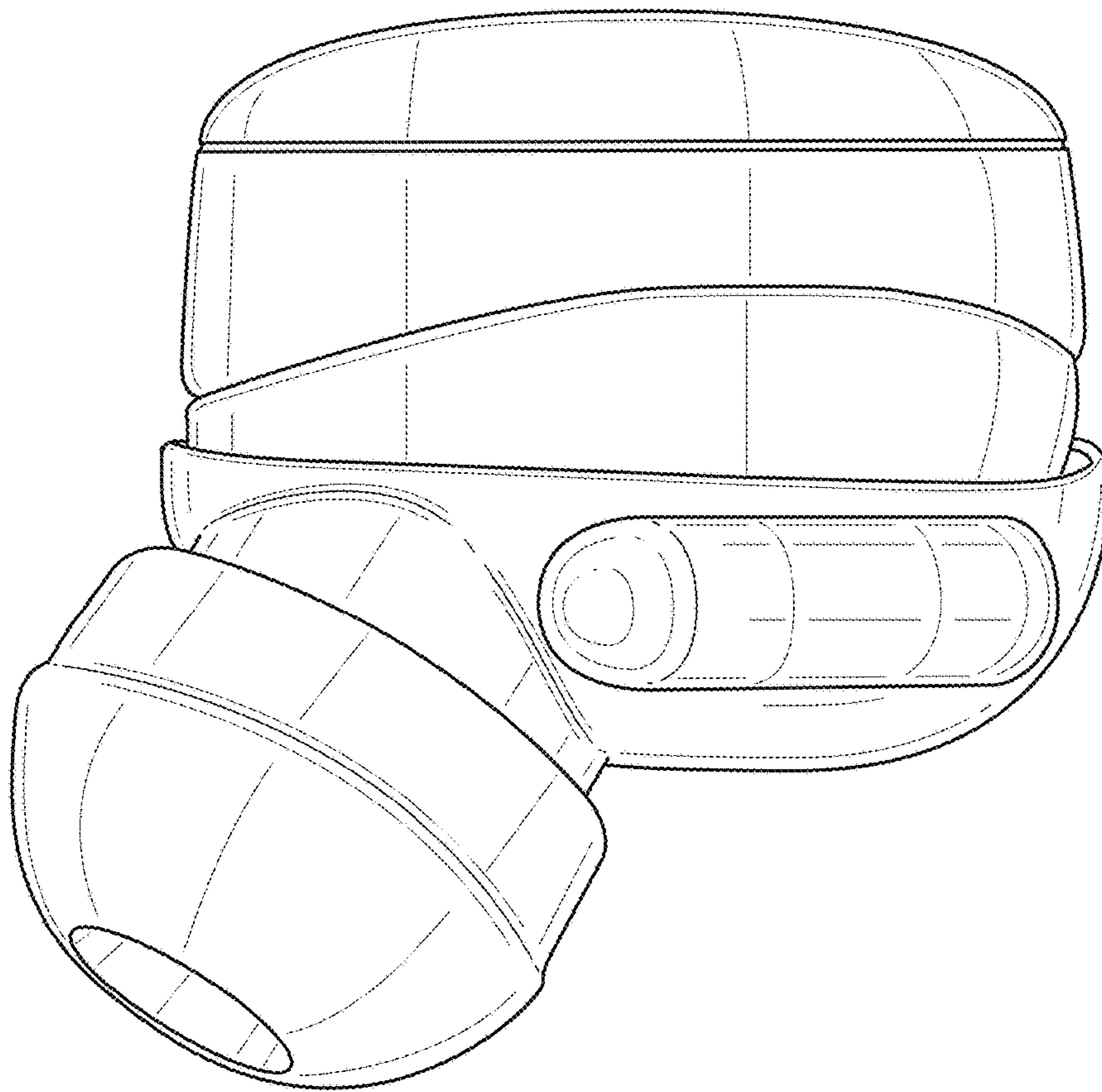


FIG. 8