



US00D800700S

(12) **United States Design Patent**
Bergman

(10) **Patent No.:** **US D800,700 S**

(45) **Date of Patent:** **** Oct. 24, 2017**

(54) **ELECTRONIC DEVICE CLIP MOUNT**

(71) Applicant: **GoPro, Inc.**, San Mateo, CA (US)

(72) Inventor: **Senka Agic Bergman**, San Mateo, CA (US)

(73) Assignee: **GoPro, Inc.**, San Mateo, CA (US)

(**) Term: **15 Years**

(21) Appl. No.: **29/552,198**

(22) Filed: **Jan. 21, 2016**

(51) **LOC (10) Cl.** **14-03**

(52) **U.S. Cl.**
USPC **D14/217**

(58) **Field of Classification Search**
USPC D14/217, 432, 433, 434, 341-347, 371, D14/426, 427; D11/3; D10/30-39, 128
CPC A61M 16/0488; A61M 16/04; A61M 16/0415; A61M 16/0418; A61M 16/0434; A61M 16/0479; A61M 16/0486; A61M 16/0493; A61M 16/0497; A61M 2025/022; A61M 2205/32; A61M 25/02; H04W 4/008; H04W 4/027
See application file for complete search history.

(56) **References Cited**

U.S. PATENT DOCUMENTS

D719,961 S * 12/2014 Xiang D14/447
D730,225 S * 5/2015 Behar D10/103

D739,223 S * 9/2015 Paik D8/396
D751,558 S * 3/2016 Lee D10/103
D766,711 S * 9/2016 Babbage D8/394
D772,730 S * 11/2016 Lai D10/38
D773,325 S * 12/2016 Browning D10/74

* cited by examiner

Primary Examiner — Ian Simmons

Assistant Examiner — Khawaja Anwar

(74) *Attorney, Agent, or Firm* — Fenwick & West LLP

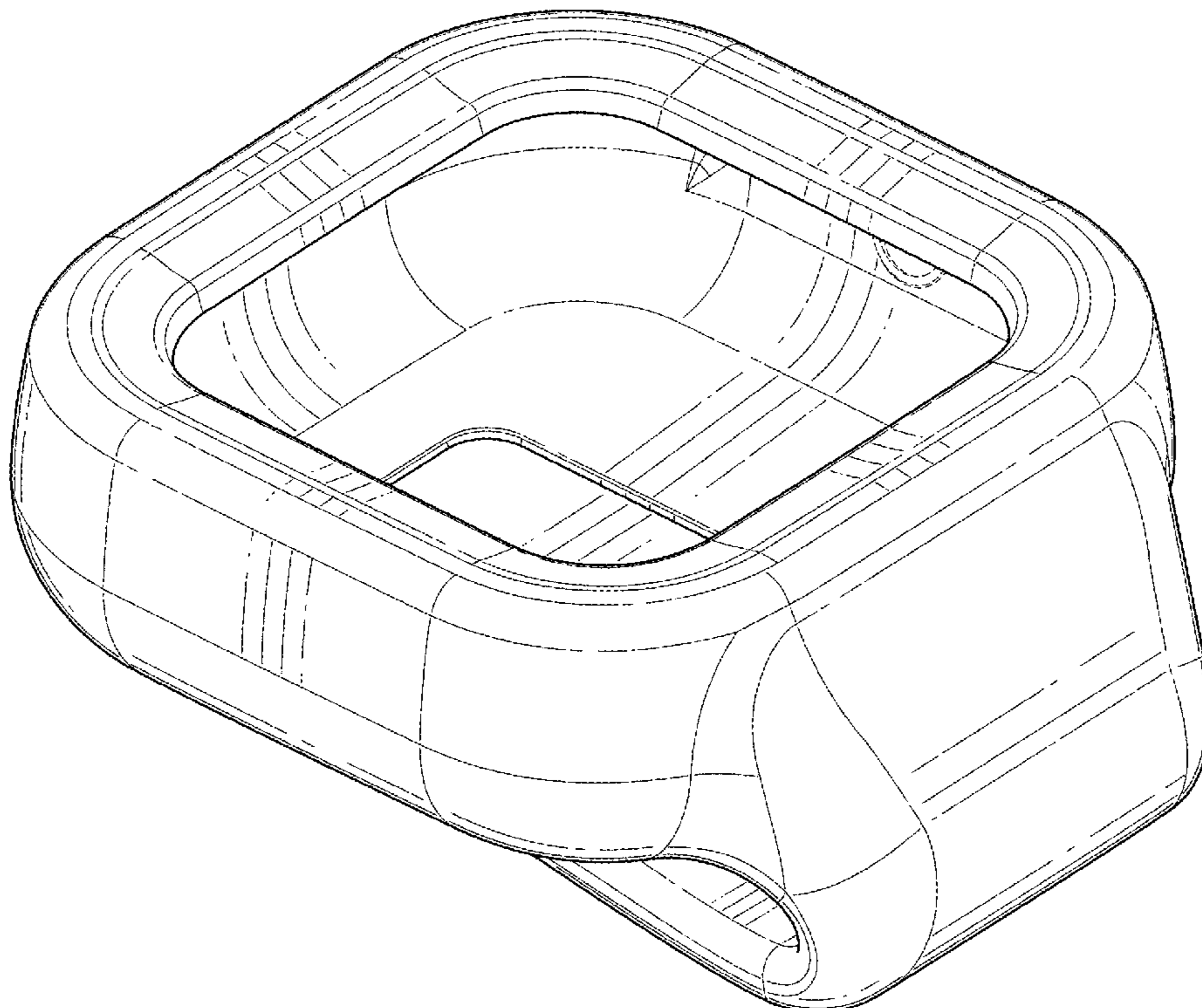
(57) **CLAIM**

The ornamental design for an electronic device clip mount, as shown and described.

DESCRIPTION

FIG. 1 is a rear, top and right side perspective view of an electronic device clip mount showing our new design; FIG. 2 is a front, bottom and left side perspective view thereof; FIG. 3 is a rear, top and left side perspective view thereof; FIG. 4 is a front, bottom and right side perspective view thereof; FIG. 5 is a rear elevational view thereof; FIG. 6 is a front elevational view thereof; FIG. 7 is a right side elevational view thereof; FIG. 8 is a left side elevational view thereof; FIG. 9 is a top plan view thereof; FIG. 10 is a bottom plan view thereof; and, FIG. 11 is a cross-sectional view thereof taken along the lines 11-11 from FIG. 9.

1 Claim, 11 Drawing Sheets



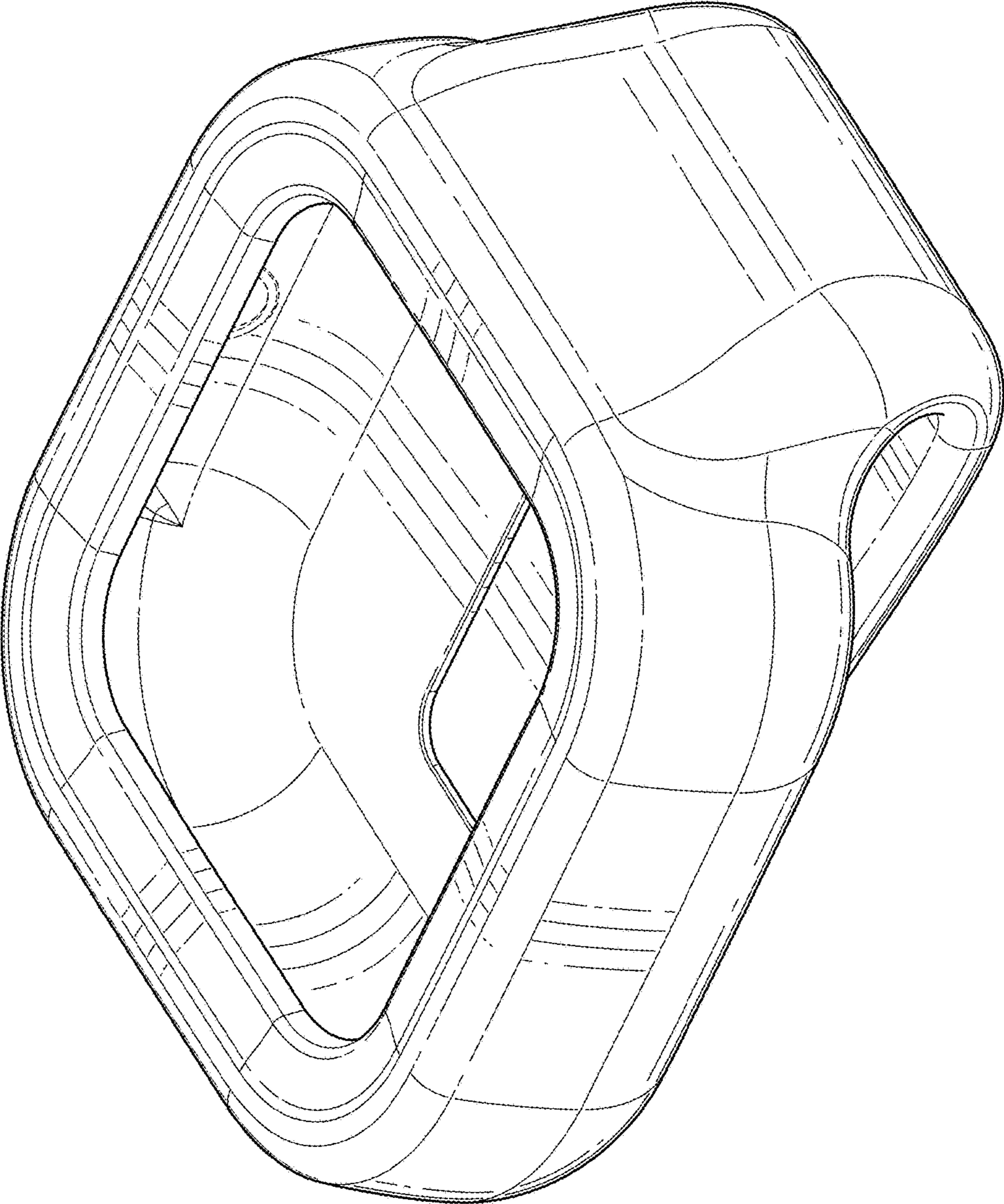


FIG. 1

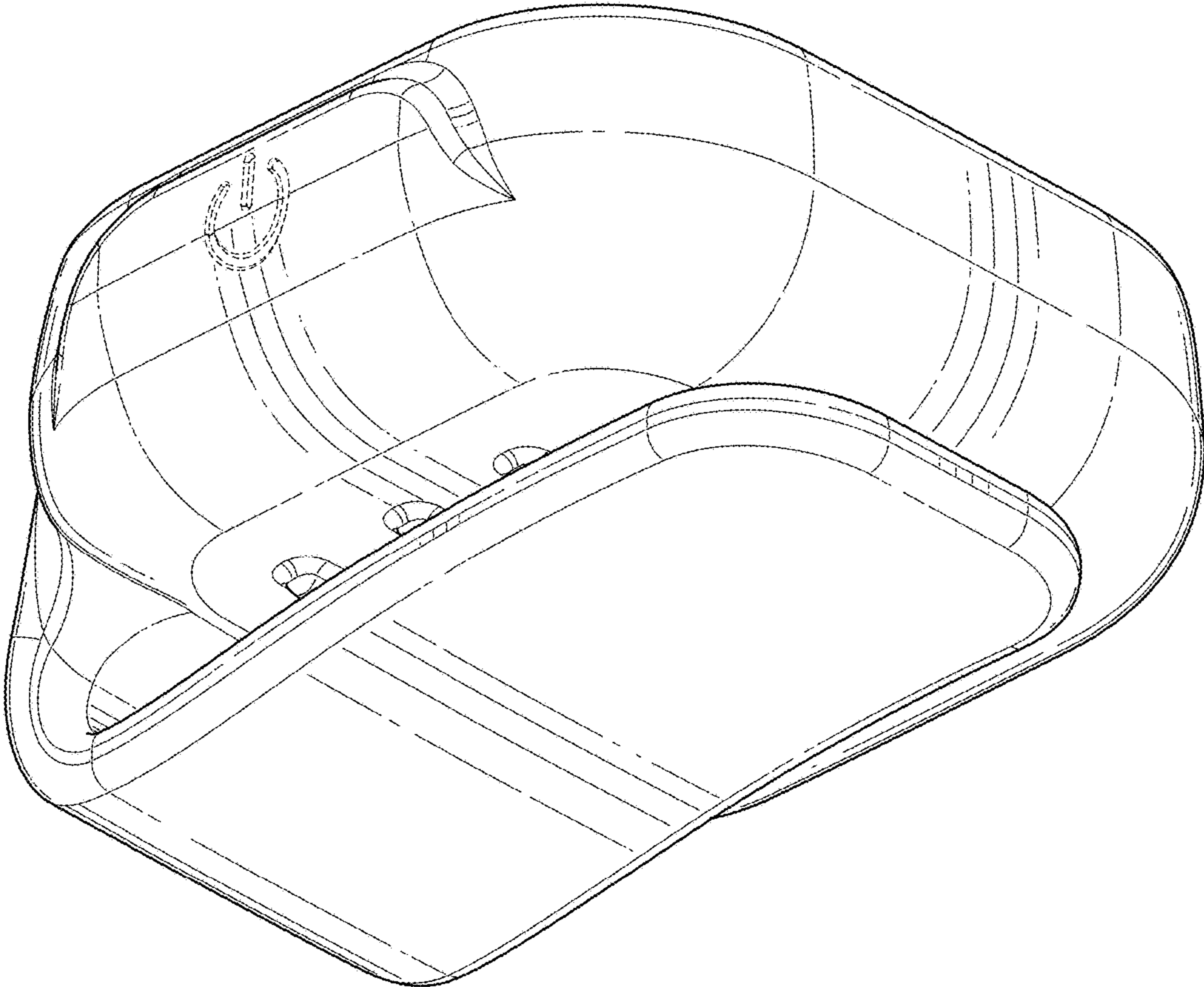


FIG. 2

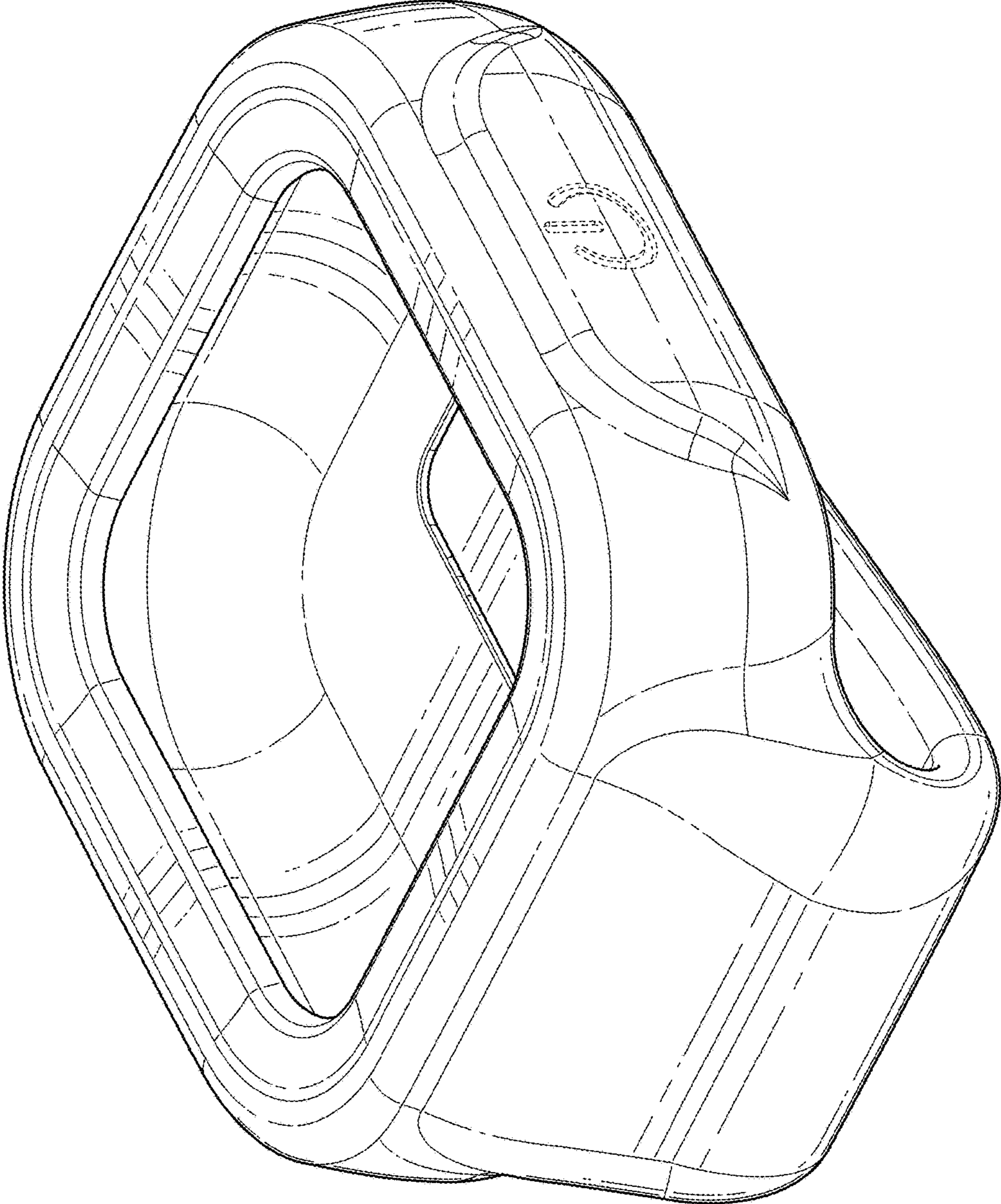


FIG. 3

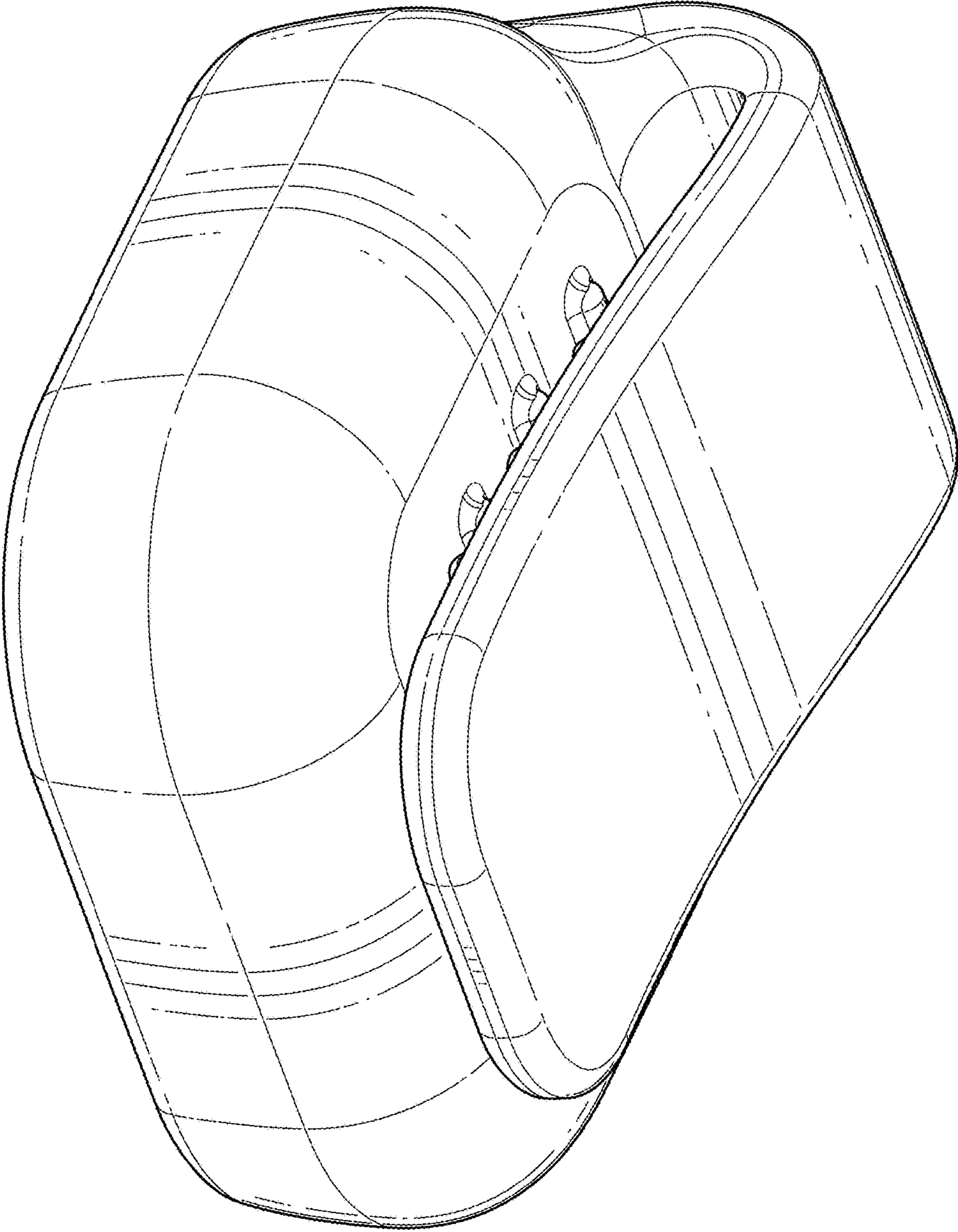


FIG. 4

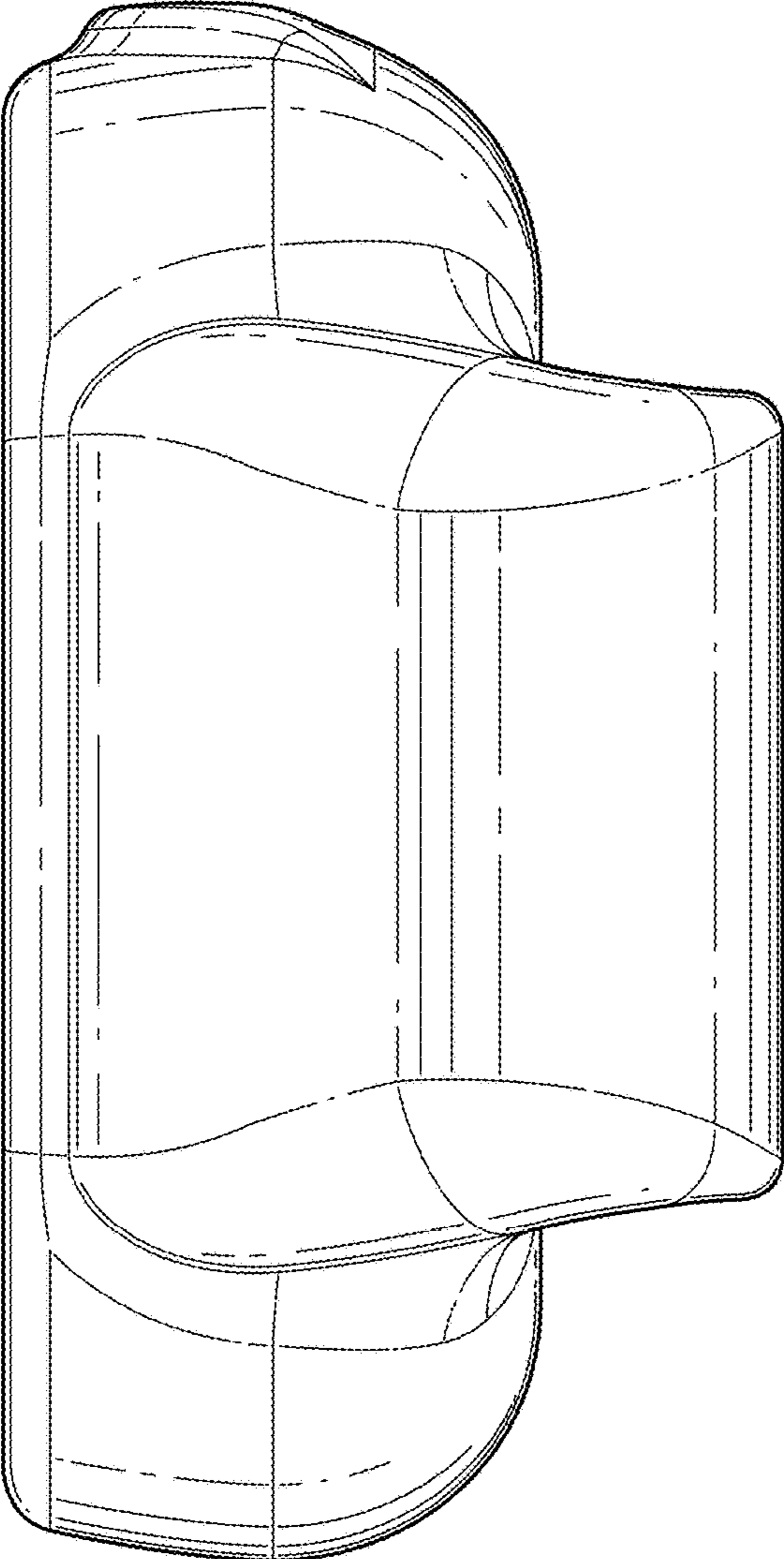


FIG. 5

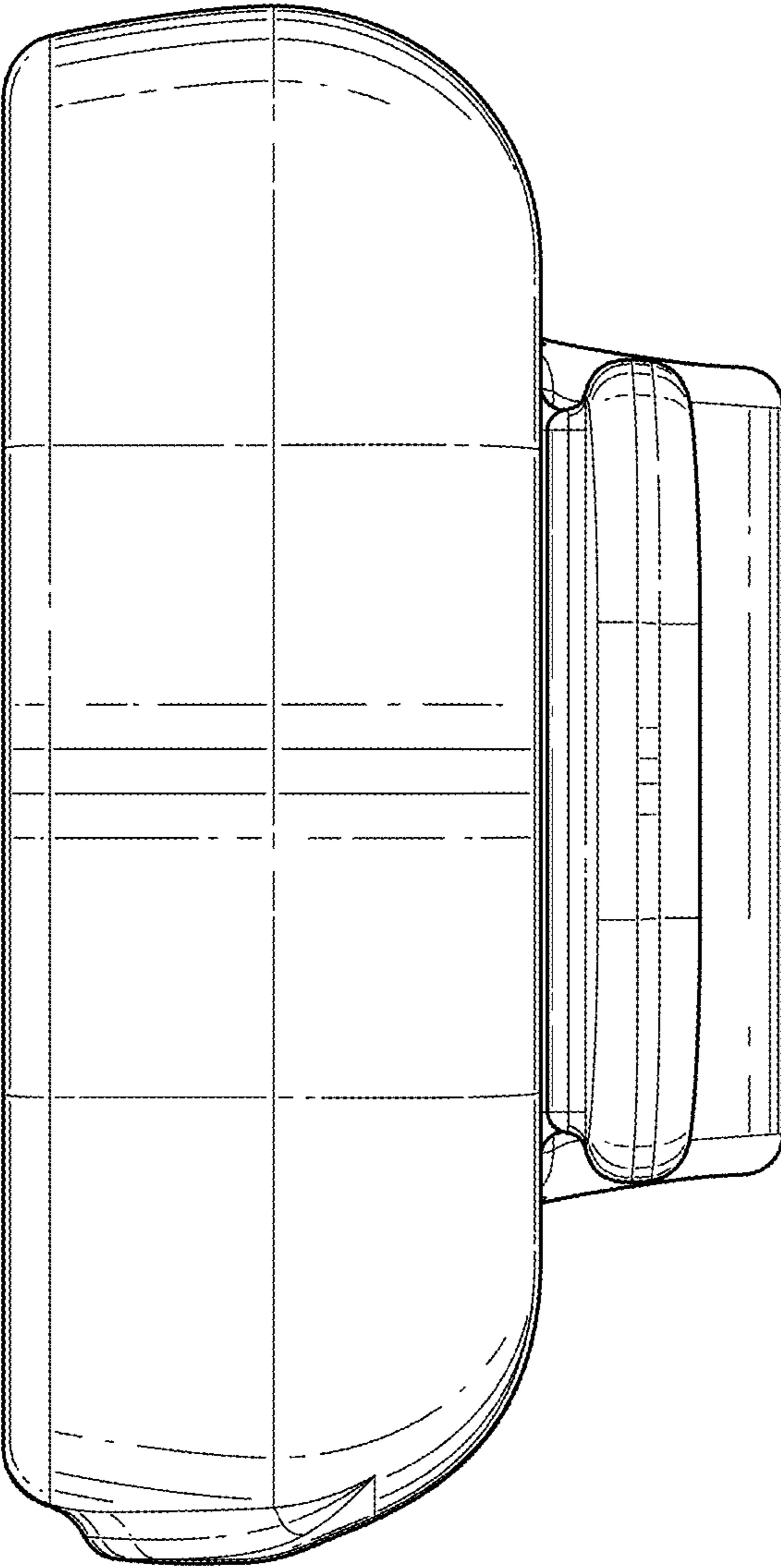


FIG. 6

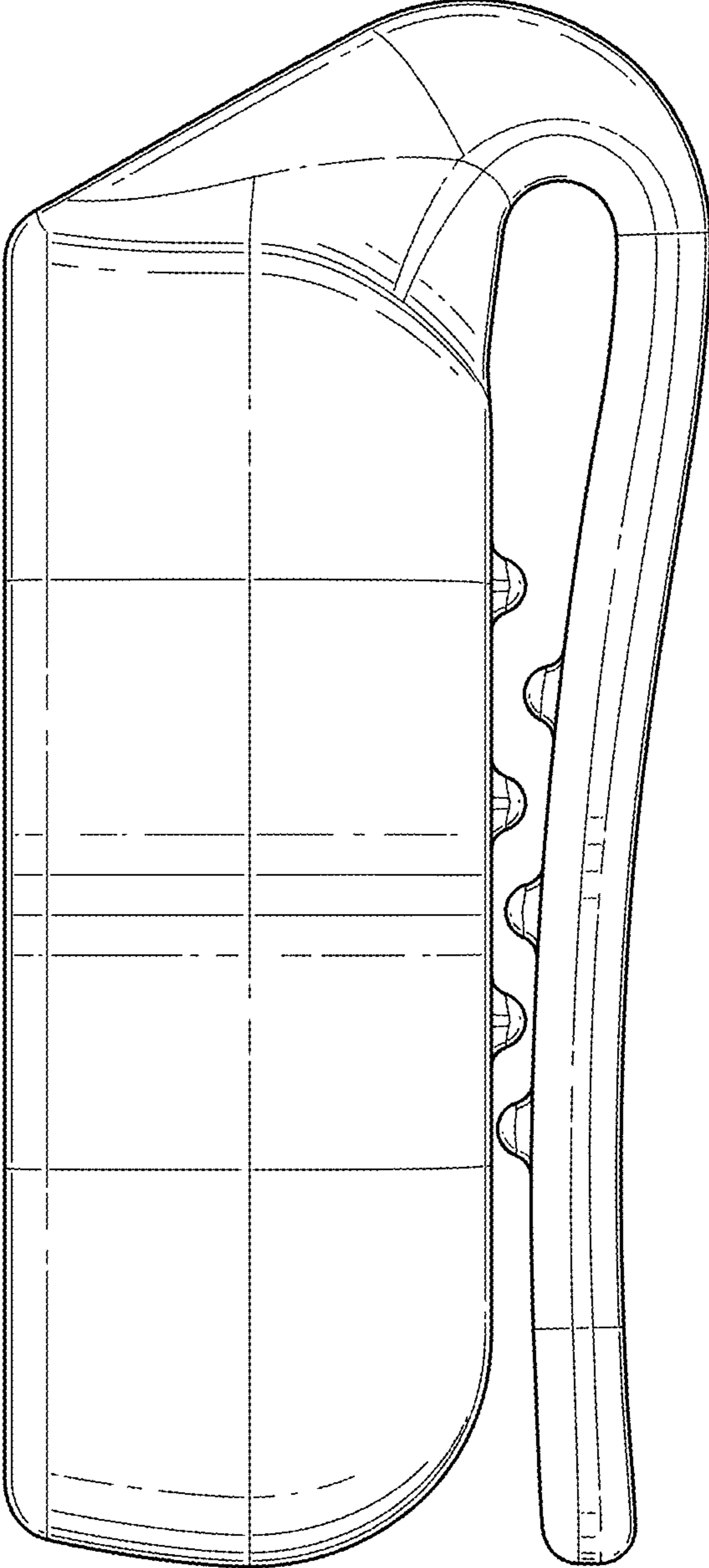


FIG. 7

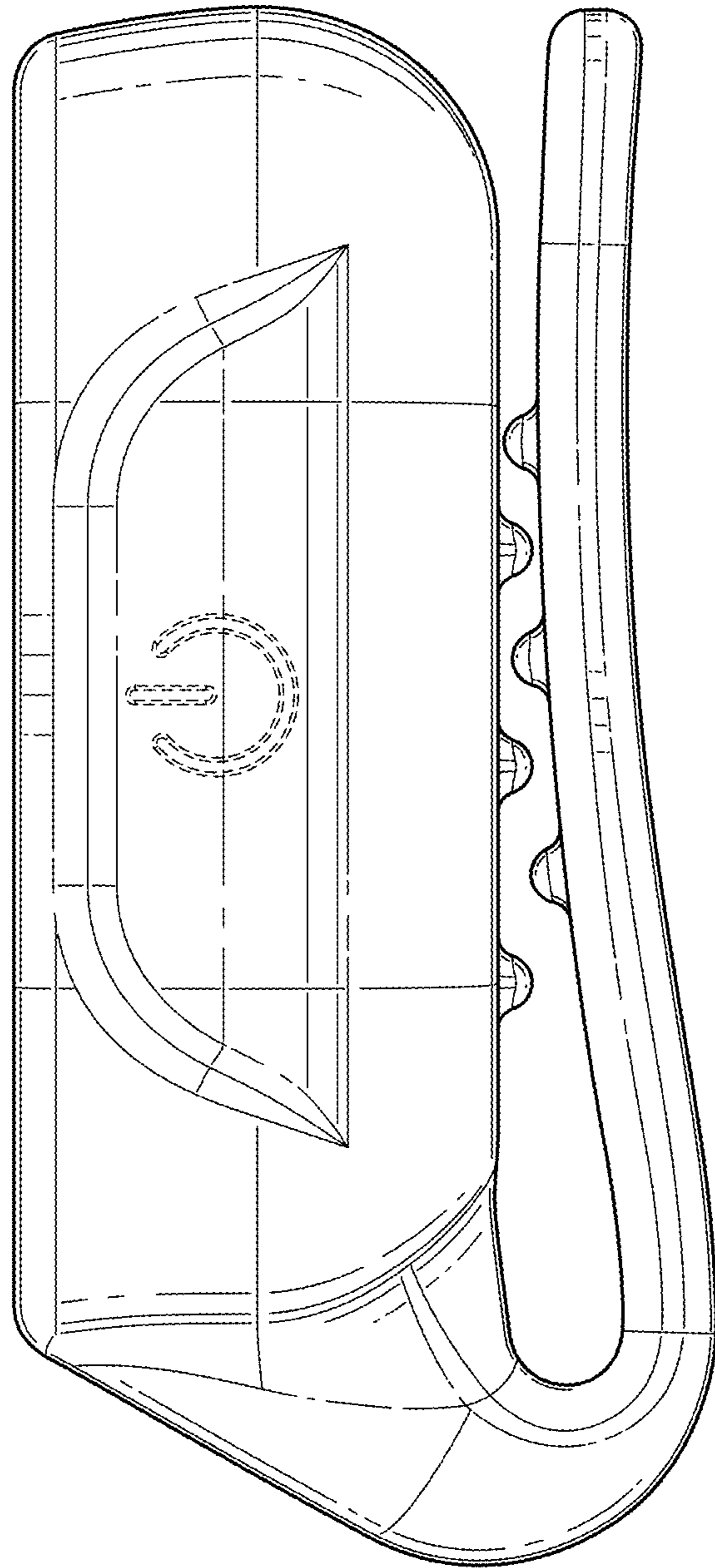


FIG. 8

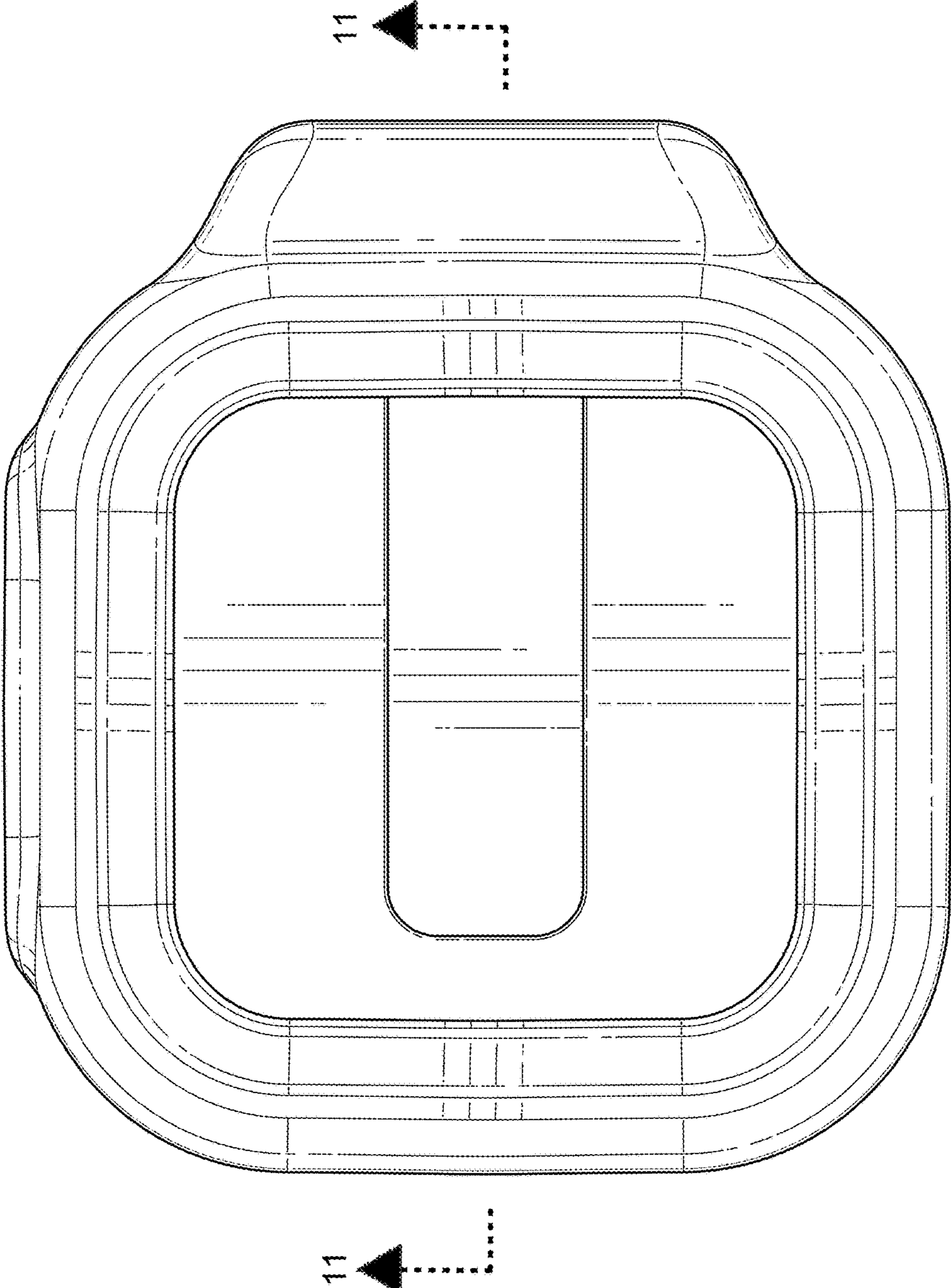


FIG. 9

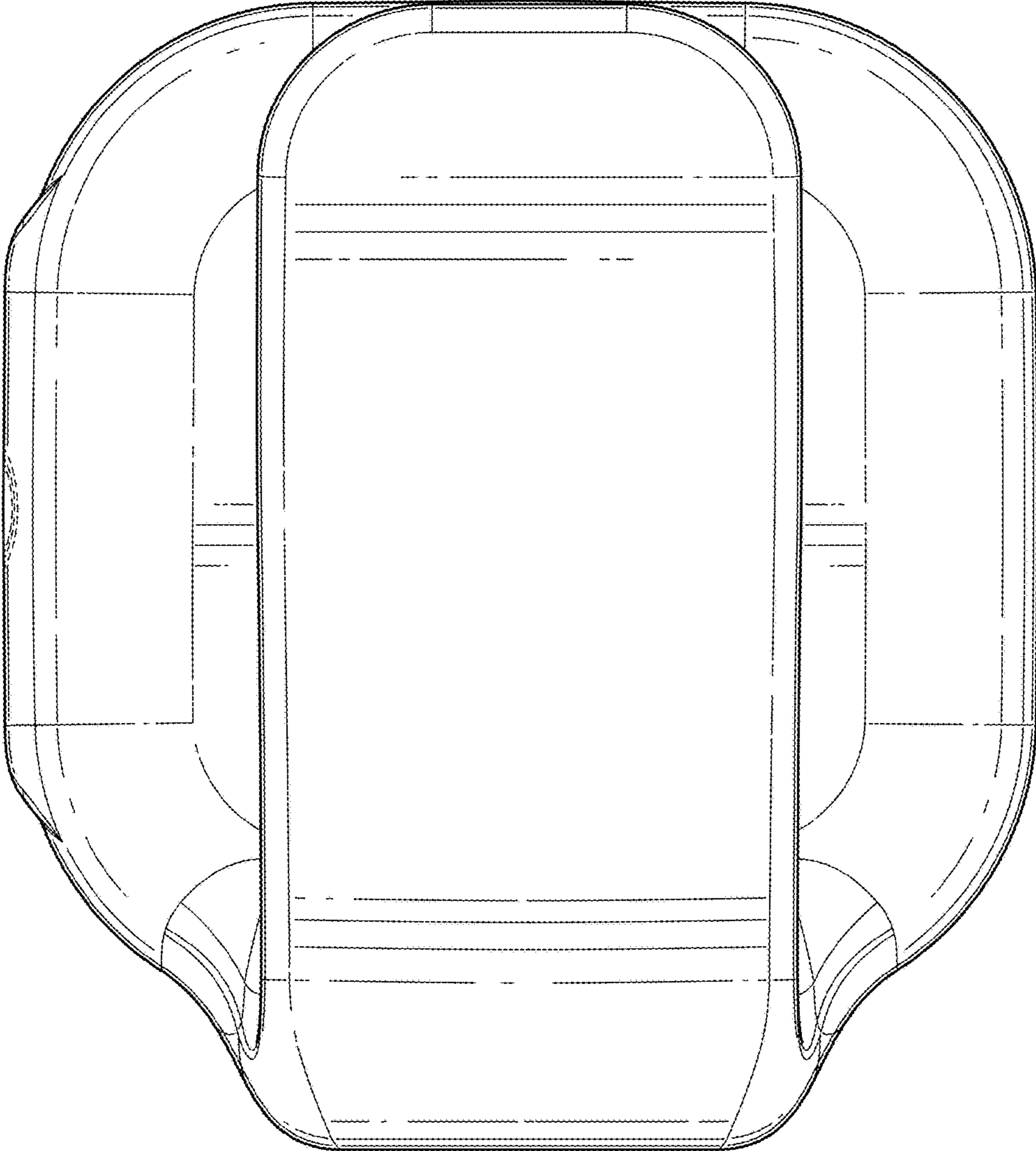


FIG. 10

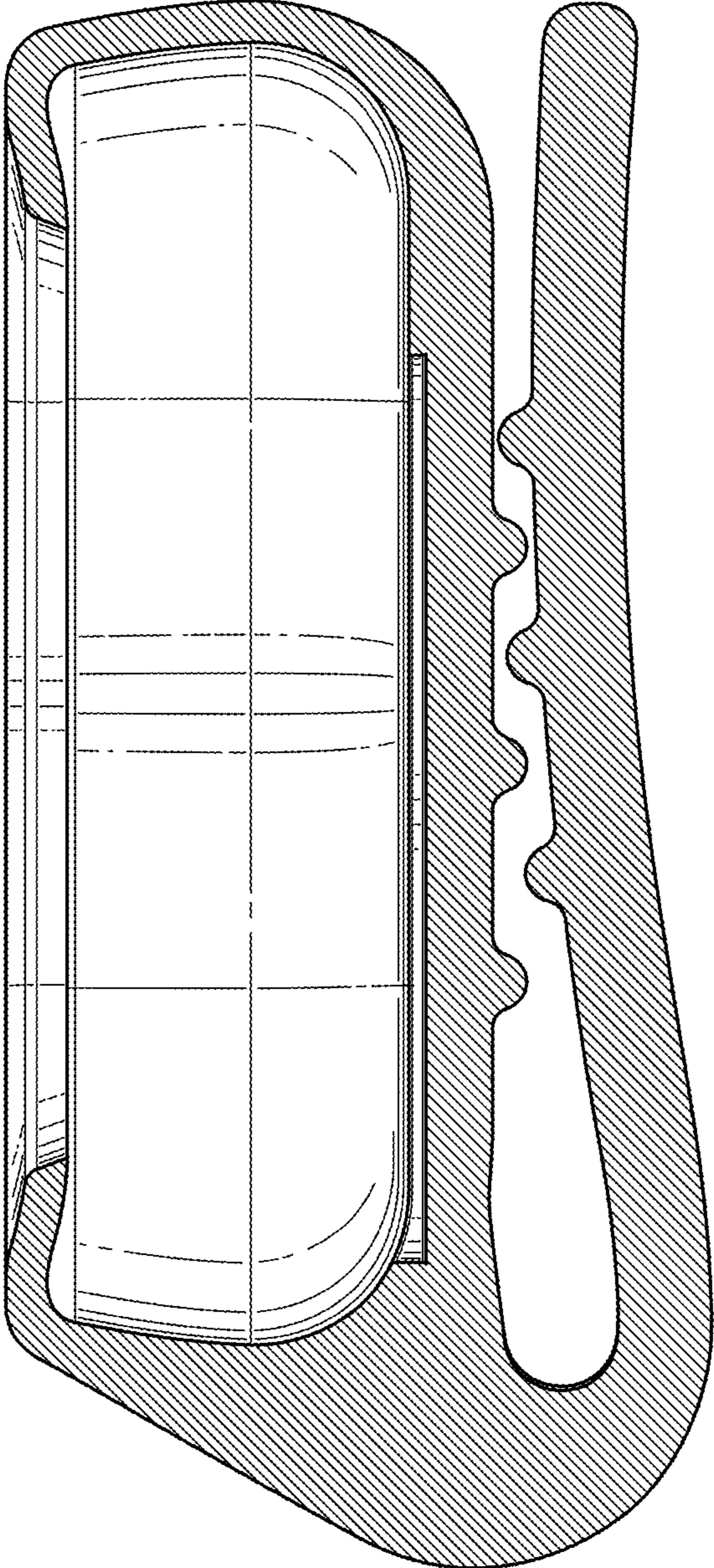


FIG. 11