



(12) **United States Design Patent**
Sugiura

(10) **Patent No.:** **US D800,695 S**
(45) **Date of Patent:** **** Oct. 24, 2017**

- (54) **SPEAKER**
- (71) Applicant: **YAMAHA CORPORATION**, Shizuoka (JP)
- (72) Inventor: **Yoshihisa Sugiura**, Buena Park, CA (US)
- (73) Assignee: **YAMAHA CORPORATION**, Shizuoka (JP)

(**) Term: **15 Years**

(21) Appl. No.: **29/552,231**

(22) Filed: **Jan. 21, 2016**

(51) **LOC (10) Cl.** **14-01**

(52) **U.S. Cl.**
USPC **D14/214**; D14/210; D14/211

(58) **Field of Classification Search**
 USPC D14/168, 188, 194, 195, 196, 204, 210, D14/211, 212, 213, 214, 215, 216
 CPC B60R 11/0217; G06F 1/1688; G10K 9/22; G10K 11/004; H03F 1/327; H04M 1/03; H04M 1/035; H04N 5/642; H04N 21/4852; H04S 3/00; H04S 7/30; H04R 1/02; H04R 1/06; H04R 1/021; H04R 1/025; H04R 1/026; H04R 1/028; H04R 1/105; H04R 1/323; H04R 1/403; H04R 1/2803; H04R 1/2834; H04R 5/02; H04R 7/20; H04R 9/06; H04R 9/025; H04R 2201/021; H04R 2400/00; H04R 2400/07; H04R 2499/11; H04R 2499/13; H04R 2499/15

See application file for complete search history.

(56) **References Cited**

U.S. PATENT DOCUMENTS

- D343,230 S * 1/1994 Lim D14/214
- D392,289 S * 3/1998 Isonaga D14/214
- D480,062 S * 9/2003 Kulkarni D14/168

- D518,817 S * 4/2006 Ching D14/214
- D526,640 S * 8/2006 Chin D14/188
- D538,262 S * 3/2007 Chen D14/214
- D547,302 S * 7/2007 Schmieta D14/214
- D556,733 S * 12/2007 Law D14/168
- D638,399 S * 5/2011 Morimoto D14/214
- D657,777 S * 4/2012 Jursch D14/215
- D683,719 S * 6/2013 Onoue D14/212
- D759,631 S * 6/2016 Espinosa D14/215
- D776,086 S * 1/2017 Baird D14/214

OTHER PUBLICATIONS

Yamaha WX-010 Review, announced Dec. 3, 2016 [online], [site visited Feb. 16, 2017]. Available from internet, URL: <<http://www.head-fi.org/t/827742/yamaha-musiccast-wx-010-wireless-speaker-review-by-mark2410>>.*

(Continued)

Primary Examiner — Keli L Hill

Assistant Examiner — Karra S Johnson

(74) *Attorney, Agent, or Firm* — Sughrue Mion, PLLC

(57) **CLAIM**

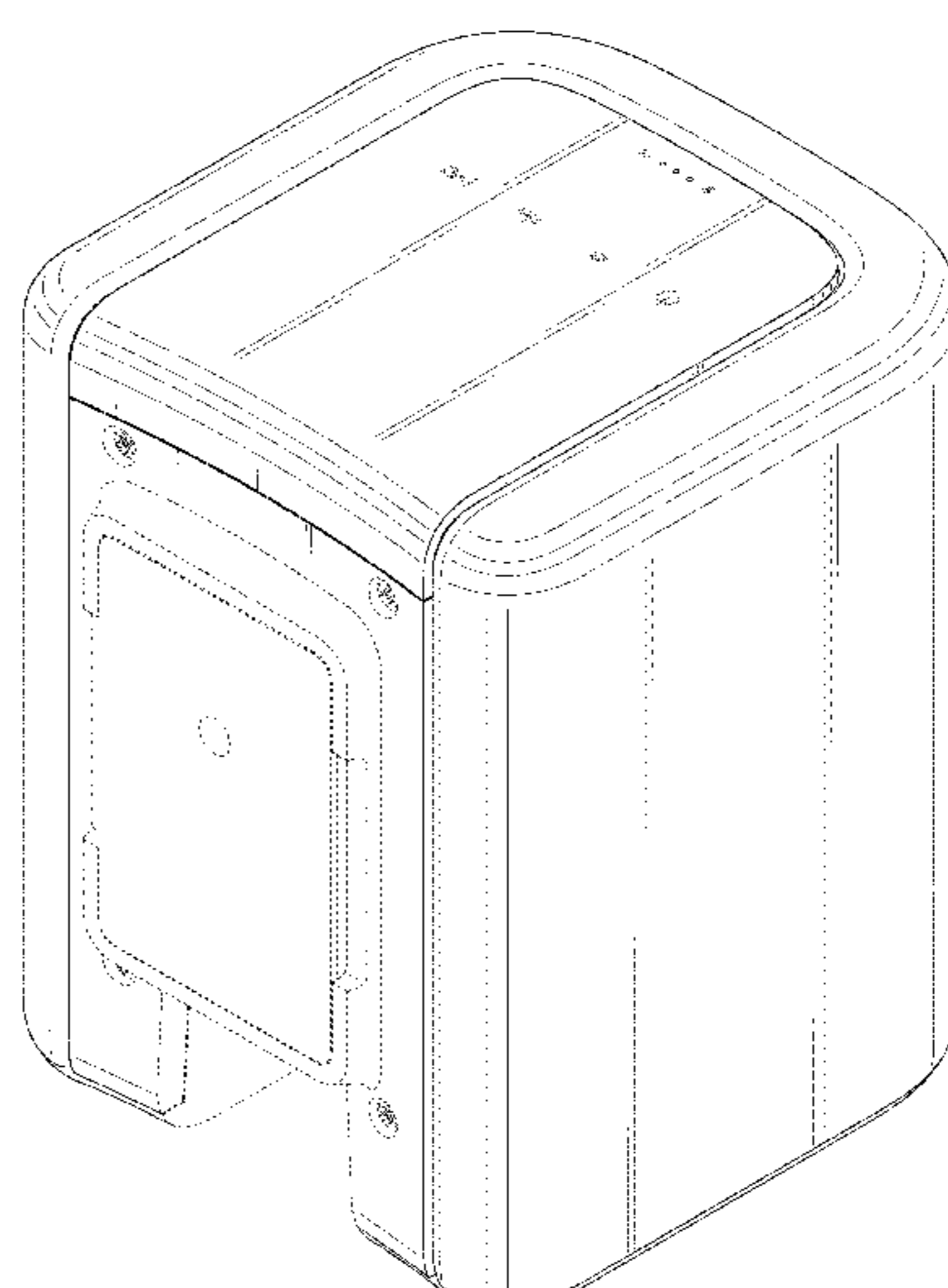
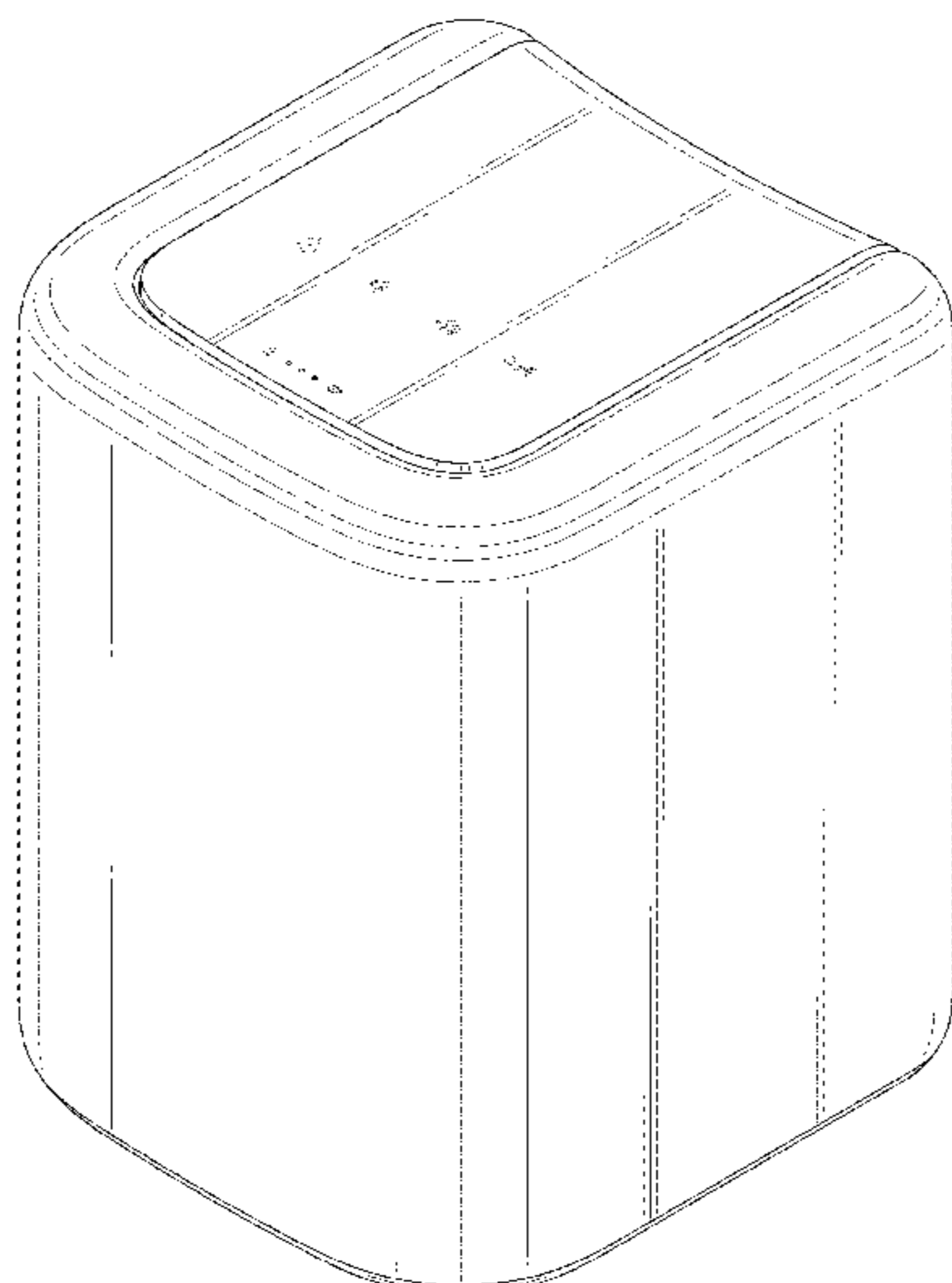
The ornamental design for a speaker, as shown and described.

DESCRIPTION

FIG. 1 is a perspective view of the front, top and right side of a speaker showing my new design;
 FIG. 2 is a perspective view of the rear, top and left side thereof;
 FIG. 3 is a front view thereof;
 FIG. 4 is a rear view thereof;
 FIG. 5 is a left side view thereof;
 FIG. 6 is a right side view thereof;
 FIG. 7 is a top plan view thereof; and,
 FIG. 8 is a bottom view thereof.

The broken line showing of the speaker is included for the purpose of illustrating portions of the speaker and forms no part of the claimed design.

1 Claim, 8 Drawing Sheets



(56)

References Cited

OTHER PUBLICATIONS

Amazon—Yamaha WX-010, announced Sep. 16, 2016 [online], [site visited Feb. 16, 2017]. Available from internet, URL: <https://www.amazon.com/Yamaha-MusicCast-WX-010-Wireless-Speaker/dp/B01HY4W910/ref=cm_cr_arp_d_product_top?ie=UTF8>.*

Communication issued Sep. 5, 2016, issued by the State Intellectual Property Office of the People's Republic of China in counterpart Chinese Patent Application No. 201630335687.4.

* cited by examiner

Fig. 1

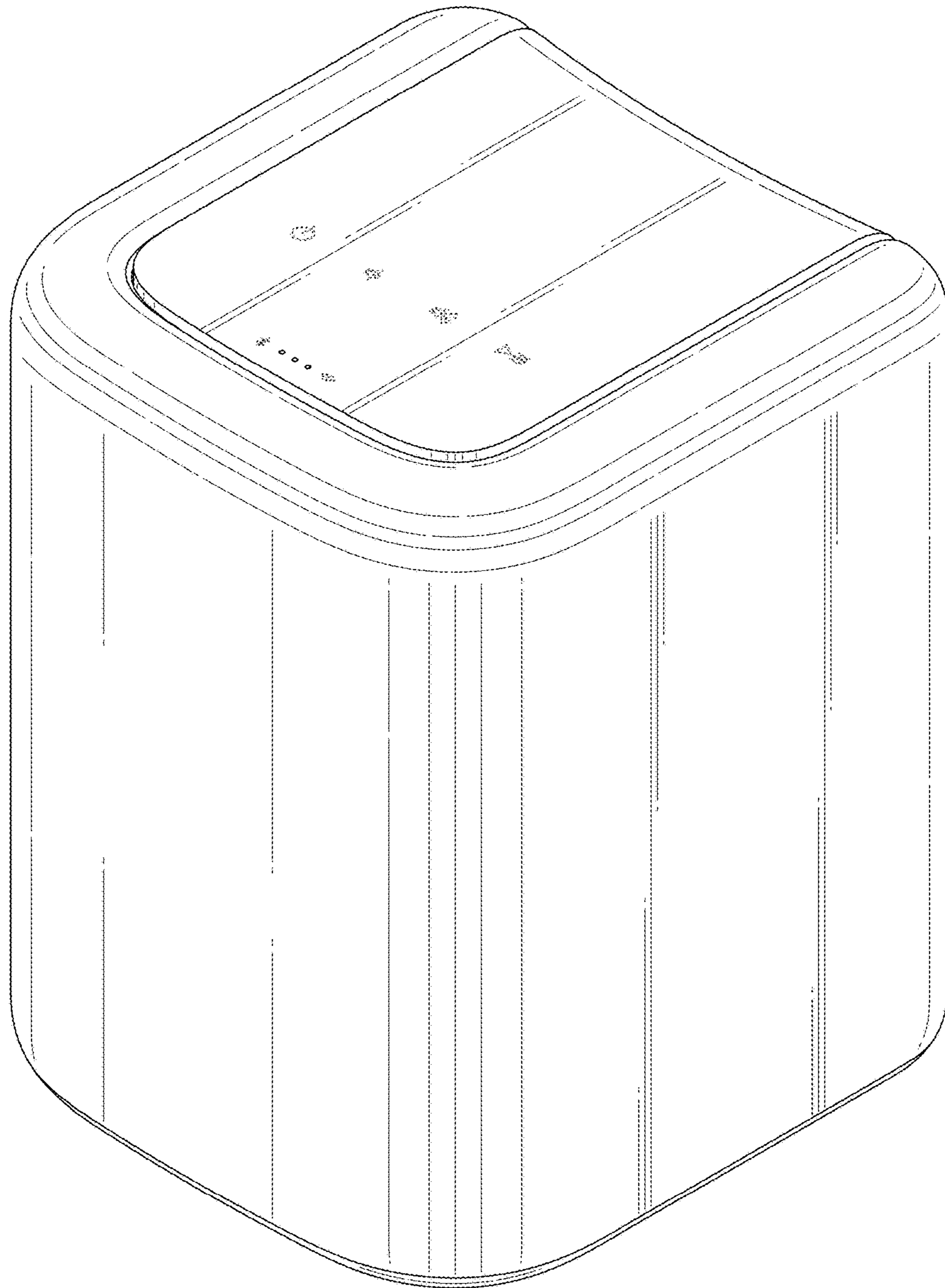


Fig. 2

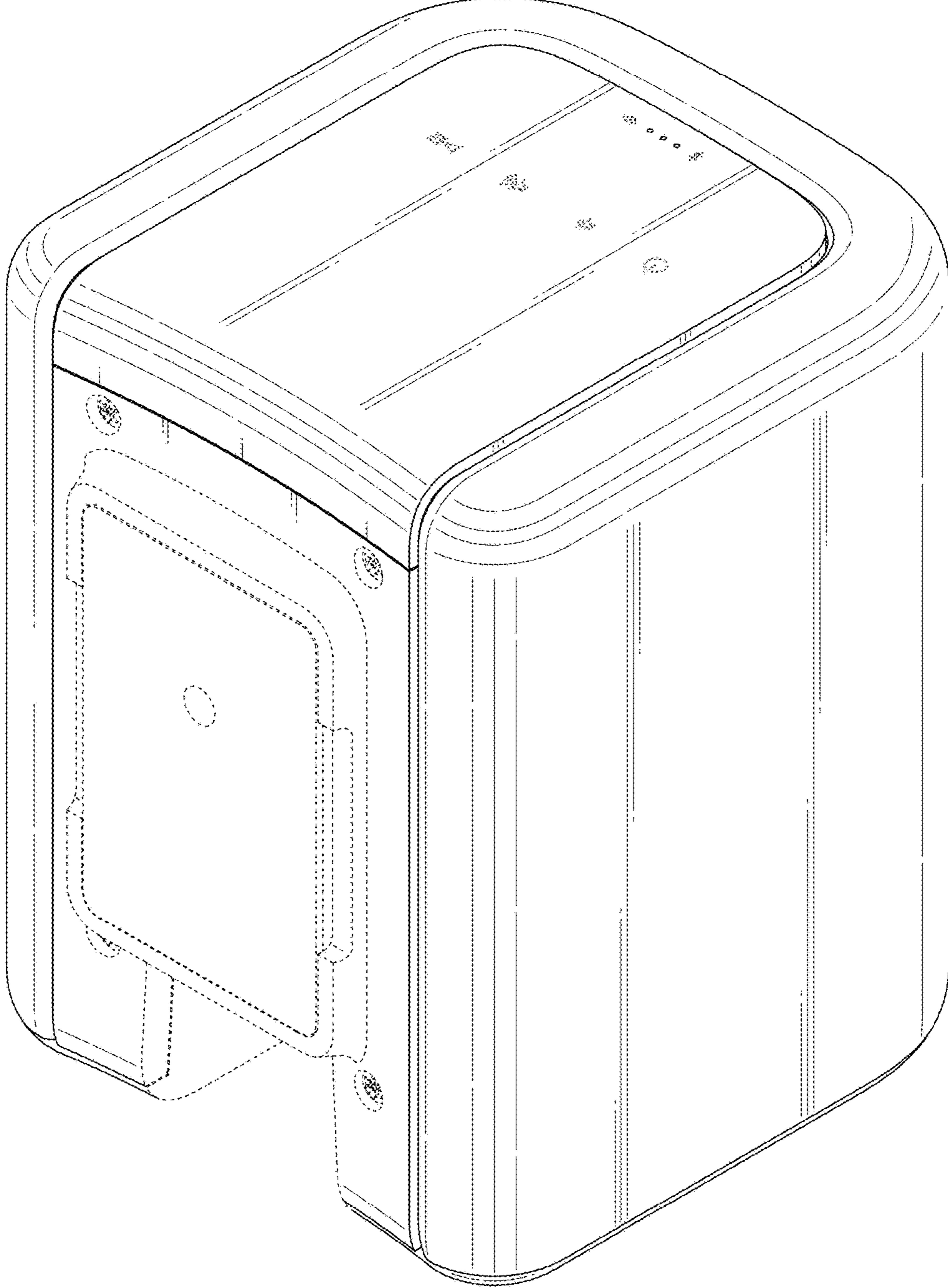


Fig. 3

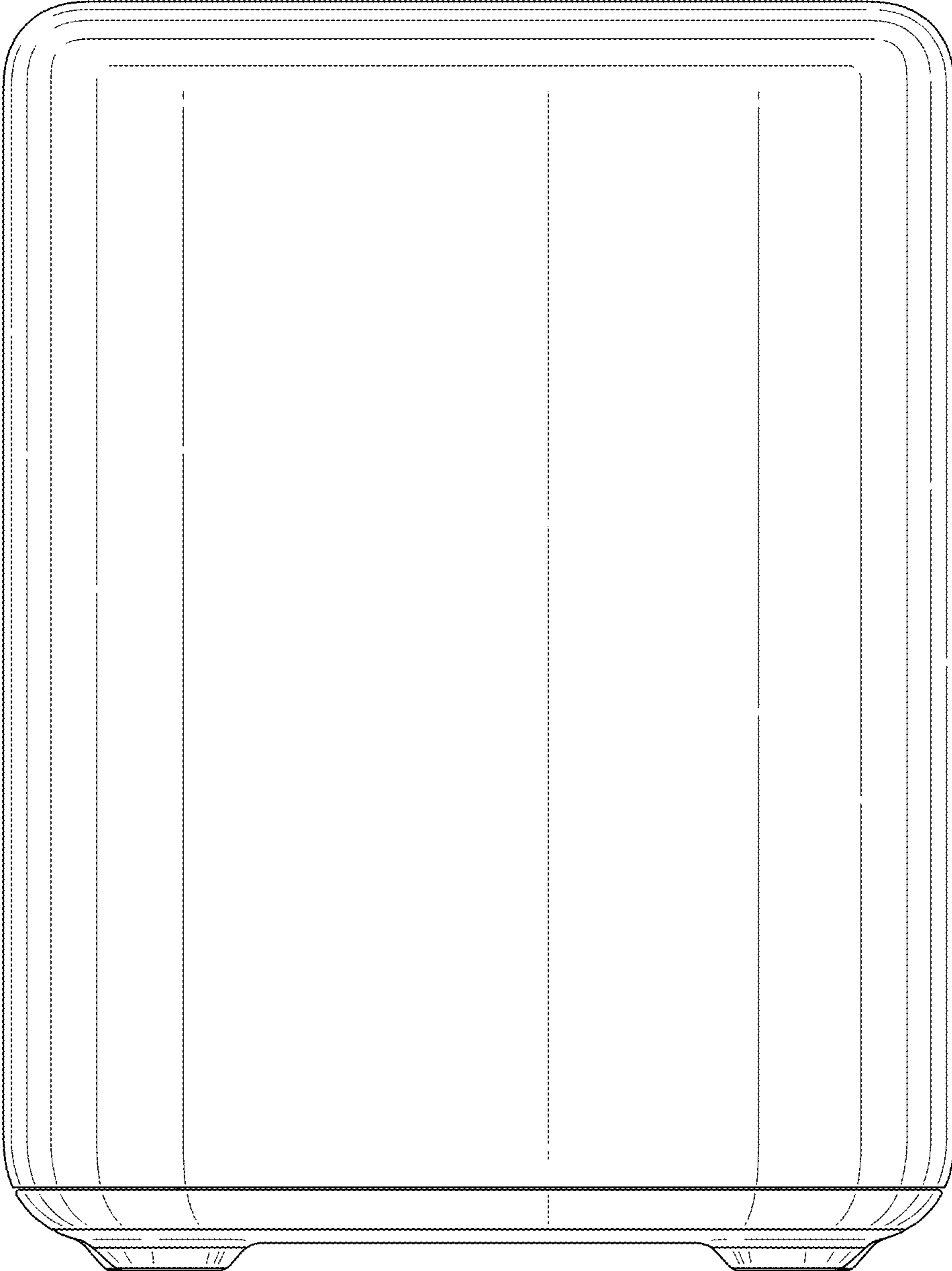


Fig. 4

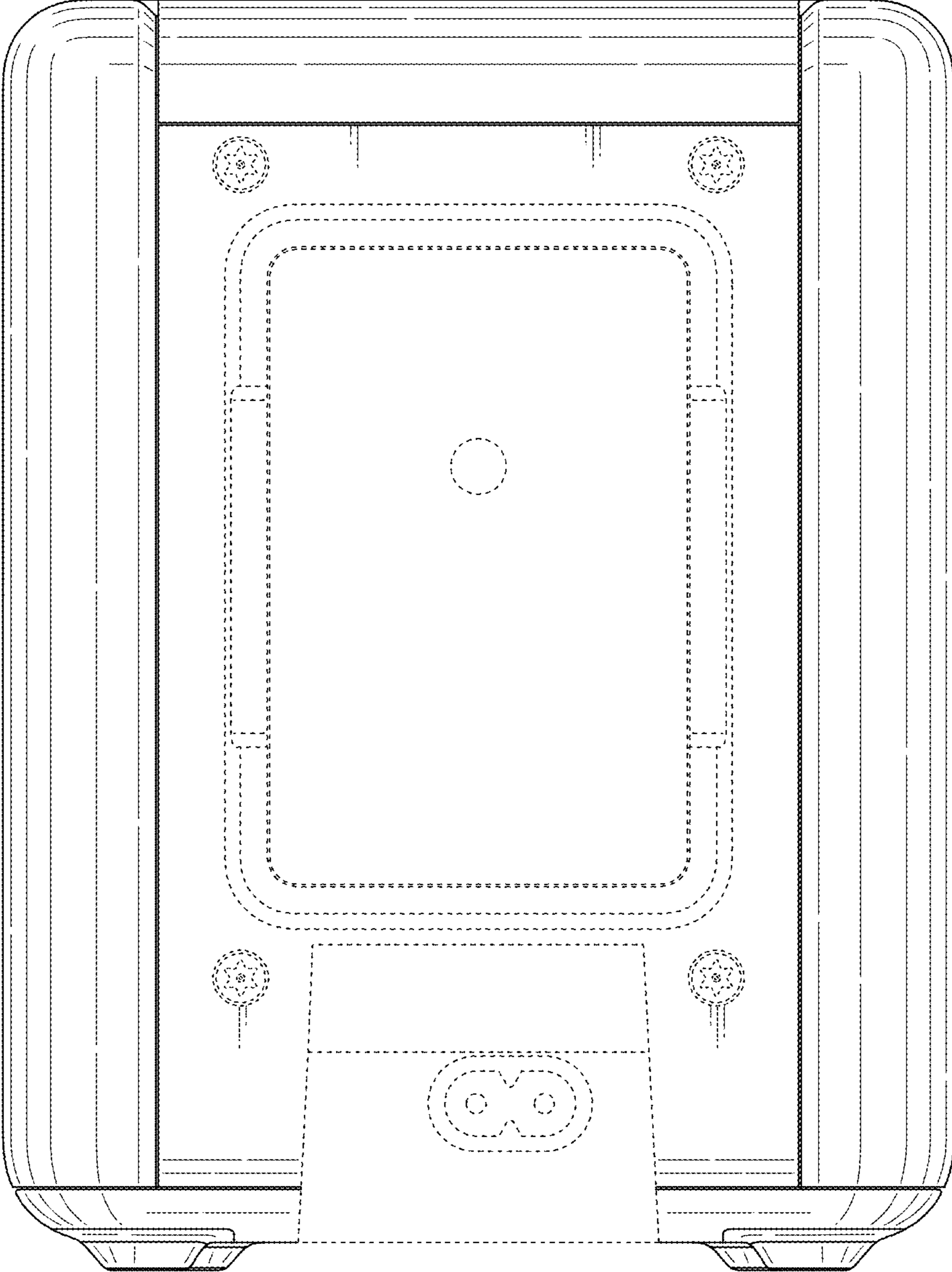


Fig. 5

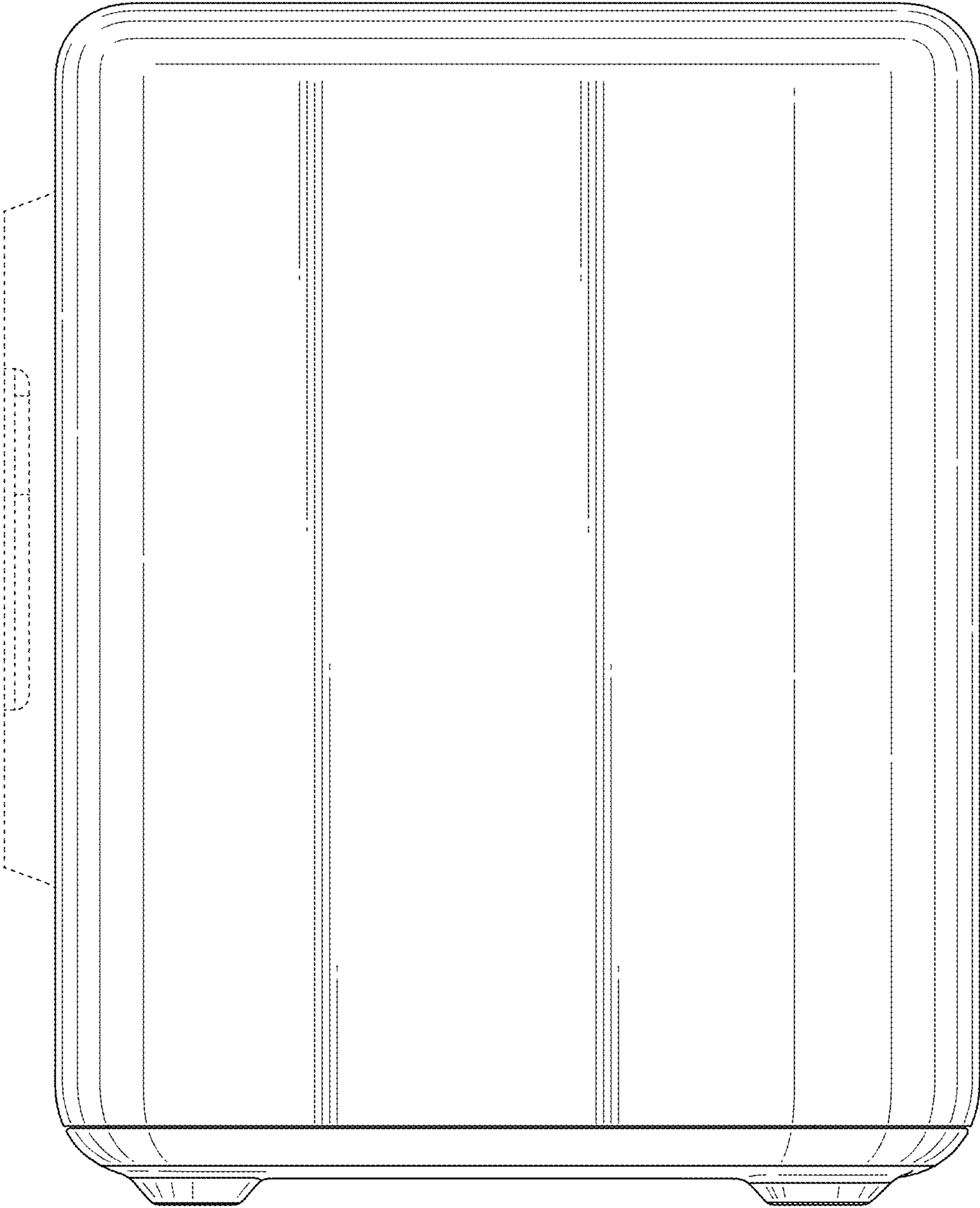


Fig. 6

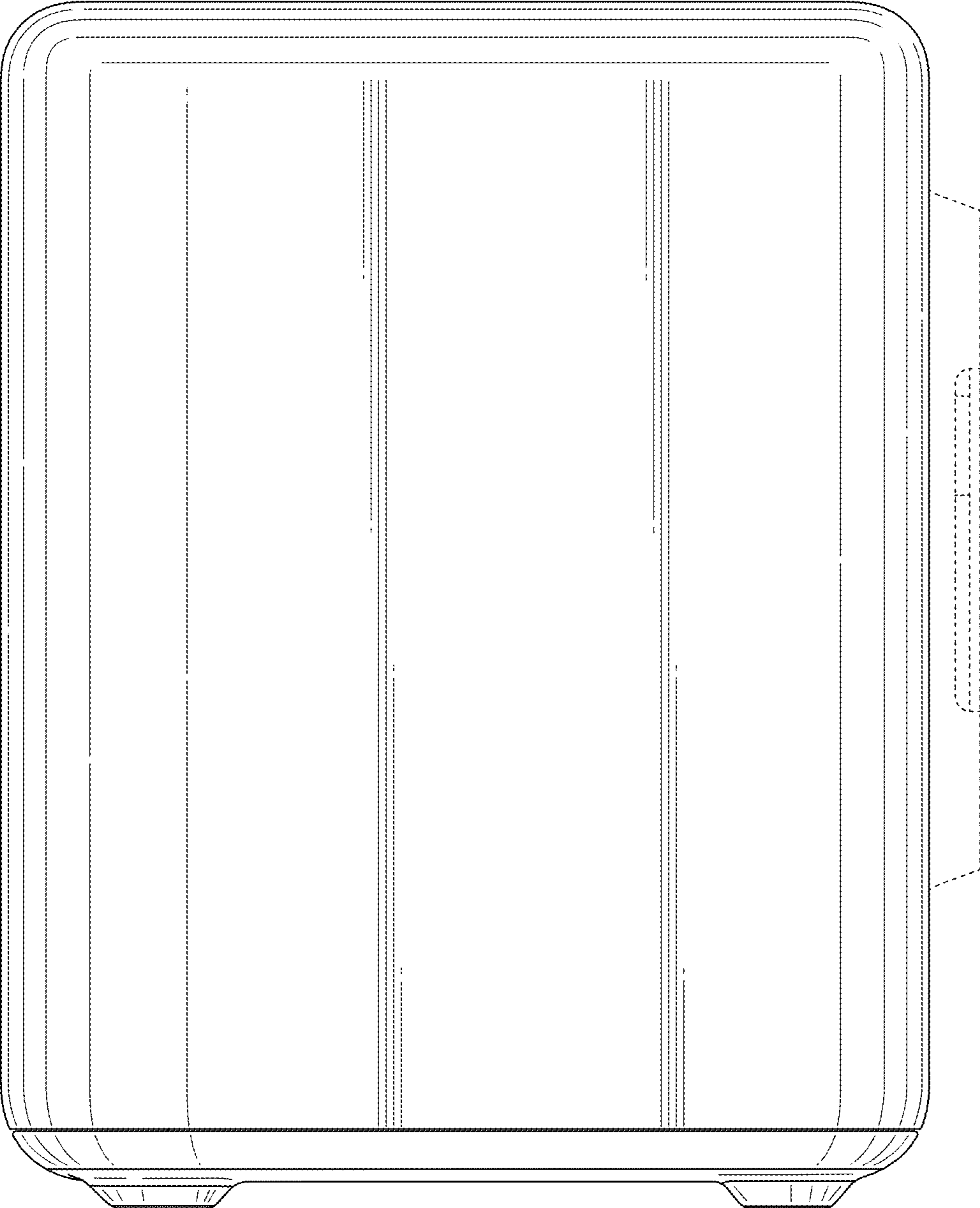


Fig. 7

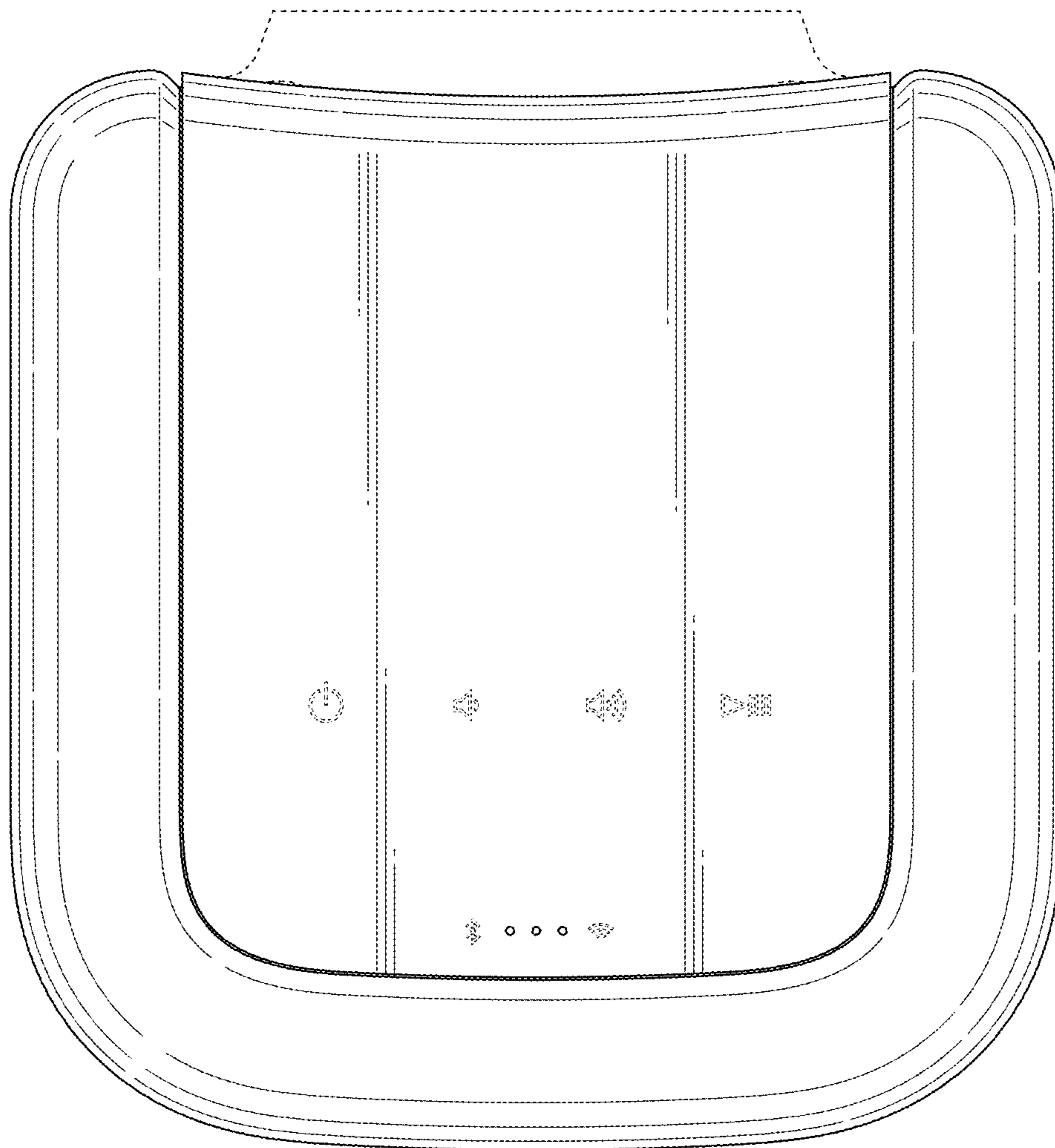


Fig. 8

