



US00D800694S

(12) **United States Design Patent** (10) **Patent No.:** **US D800,694 S**
Sugiura (45) **Date of Patent:** **** Oct. 24, 2017**

(54) **SPEAKER**
(71) Applicant: **YAMAHA CORPORATION**,
Hamamatsu-shi, Shizuoka (JP)
(72) Inventor: **Yoshihisa Sugiura**, Buena Park, CA
(US)
(73) Assignee: **YAMAHA CORPORATION**, Shizuoka
(JP)
(**) Term: **15 Years**
(21) Appl. No.: **29/552,225**
(22) Filed: **Jan. 21, 2016**
(51) **LOC (10) Cl.** **14-01**
(52) **U.S. Cl.**
USPC **D14/214**; D14/210
(58) **Field of Classification Search**
USPC D14/168, 188, 194, 195, 196, 204, 210,
D14/211, 212, 213, 214, 215, 216
CPC B60R 11/0217; G06F 1/1688; G10K 9/22;
G10K 11/004; H03F 1/327; H04M 1/03;
H04M 1/035; H04N 5/642; H04N
21/4852; H04S 3/00; H04S 7/30; H04R
1/02; H04R 1/06; H04R 1/021; H04R
1/025; H04R 1/026; H04R 1/028; H04R
1/105; H04R 1/323; H04R 1/403; H04R
1/2803; H04R 1/2834; H04R 5/02; H04R
7/20; H04R 9/06; H04R 9/025; H04R
2201/021; H04R 2400/00; H04R 2400/07;
H04R 2499/11; H04R 2499/13; H04R
2499/15
See application file for complete search history.

(56) **References Cited**
U.S. PATENT DOCUMENTS
D546,815 S * 7/2007 Schmieta D14/214
D587,237 S * 2/2009 Son D14/168
D638,823 S * 5/2011 Schindler D14/214

D658,159 S * 4/2012 Janky D14/214
D660,284 S * 5/2012 Carbone D14/214
D716,756 S * 11/2014 Kim D14/204
D729,207 S * 5/2015 Ko D14/216
D743,373 S * 11/2015 Kim D14/210
D744,982 S * 12/2015 Kim D14/214
D750,596 S * 3/2016 Li D14/216
D754,629 S * 4/2016 Kim D14/204
D760,685 S * 7/2016 Sugiura D14/204

OTHER PUBLICATIONS

Crutchfield—Yamaha YAS-106, announced Sep. 9, 2016 [online],
[site visited Feb. 16, 2017]. Available from internet, URL: <https://www.crutchfield.com/p_022YAS106/Yamaha-YAS-106.html?tp=47366&#customer-reviews-tab>.*

(Continued)

Primary Examiner — Keli L Hill
Assistant Examiner — Karra S Johnson
(74) *Attorney, Agent, or Firm* — Sughrue Mion, PLLC

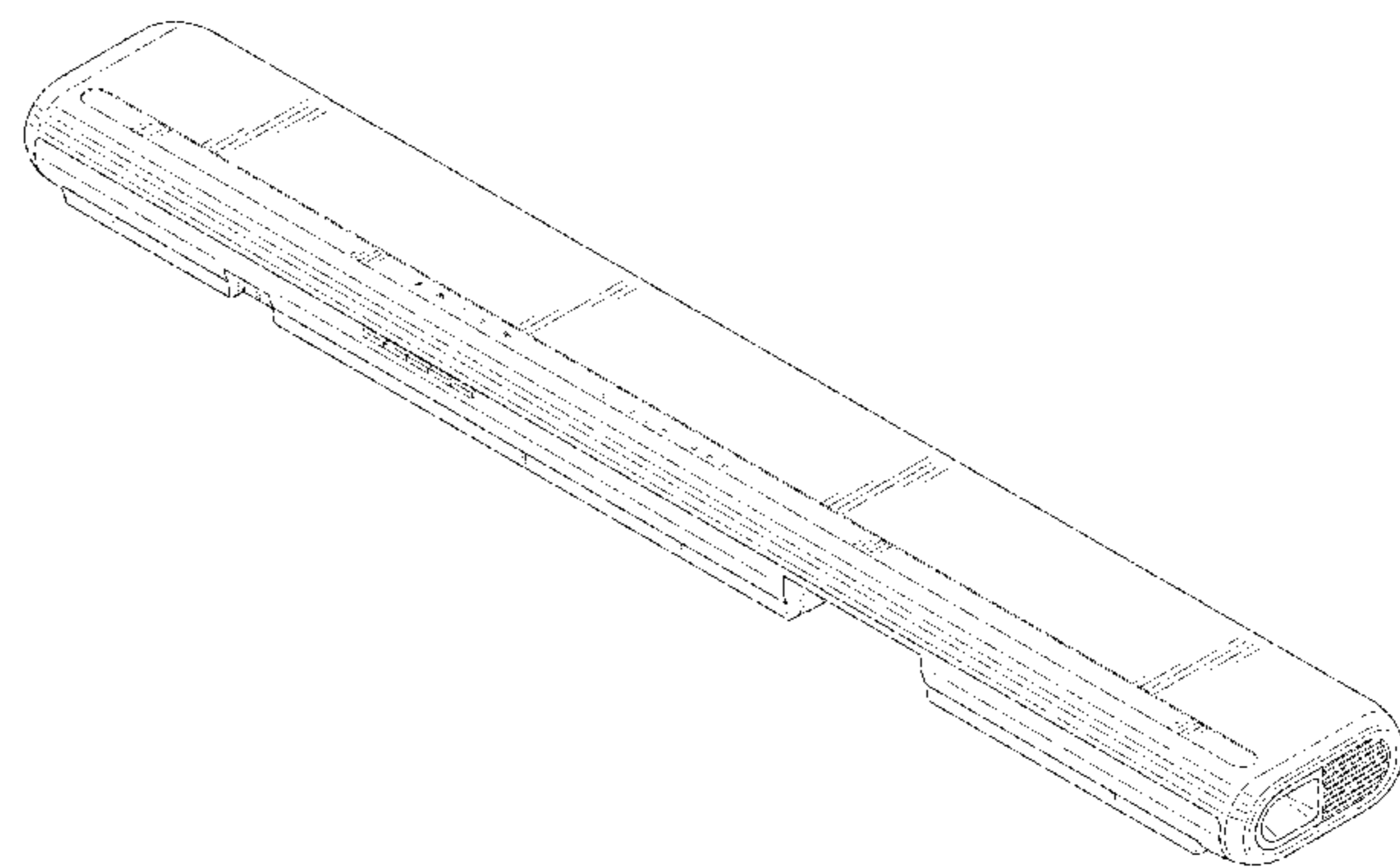
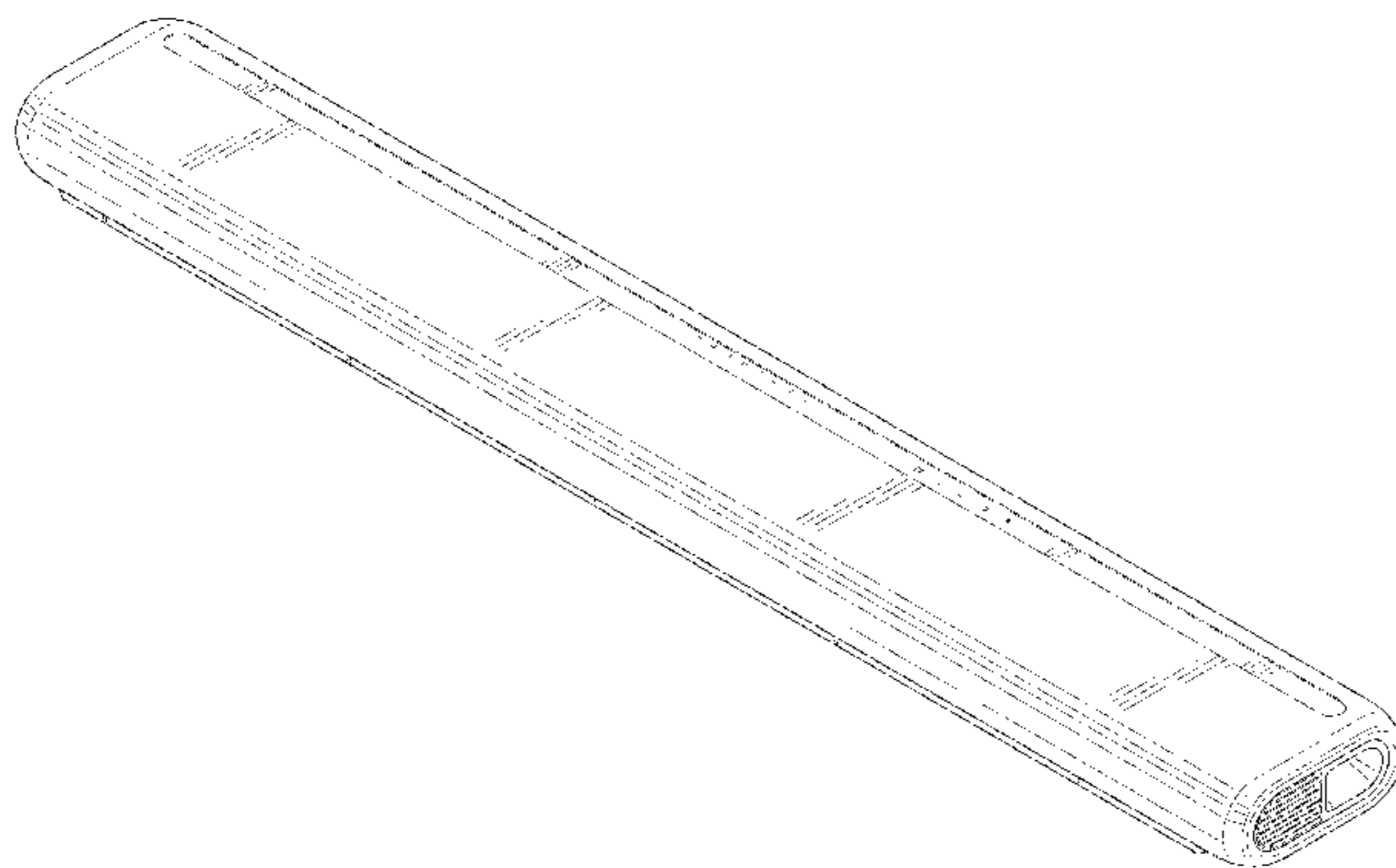
(57) **CLAIM**

The ornamental design for a speaker, as shown and described.

DESCRIPTION

FIG. 1 is a perspective view of the front, top and right side of a speaker showing my new design;
FIG. 2 is a perspective view of the rear, top and left side thereof;
FIG. 3 is a front view thereof;
FIG. 4 is a rear view thereof;
FIG. 5 is a left side view thereof;
FIG. 6 is a right side view thereof;
FIG. 7 is a top plan view thereof; and,
FIG. 8 is a bottom view thereof.
The broken lines showing features of the speaker, including two-dimensional surface ornamentation on the speaker's top surface, form no part of the claimed design.

1 Claim, 8 Drawing Sheets



(56)

References Cited

OTHER PUBLICATIONS

Yamaha YAS-106 Soundbar Review, announced Oct. 26, 2016 [online], [site visited Feb. 16, 2017]. Available from internet, URL: <<http://www.tomsguide.com/us/yamaha-yas-106-soundbar,review-3980.html10/26/2016>>.*

U.S. Appl. No. 29/552,220, filed Jan. 21, 2016, Yoshihisa Sugiura. Office Action dated Feb. 3, 2017 issued by the Japanese Patent Office in counterpart Japanese Patent Application No. 2016-014973 (Order).

Office Action dated Feb. 3, 2017 issued by the Japanese Patent Office in counterpart Japanese Patent Application No. 2016-014973 (Notification of Reasons for Refusal).

* cited by examiner

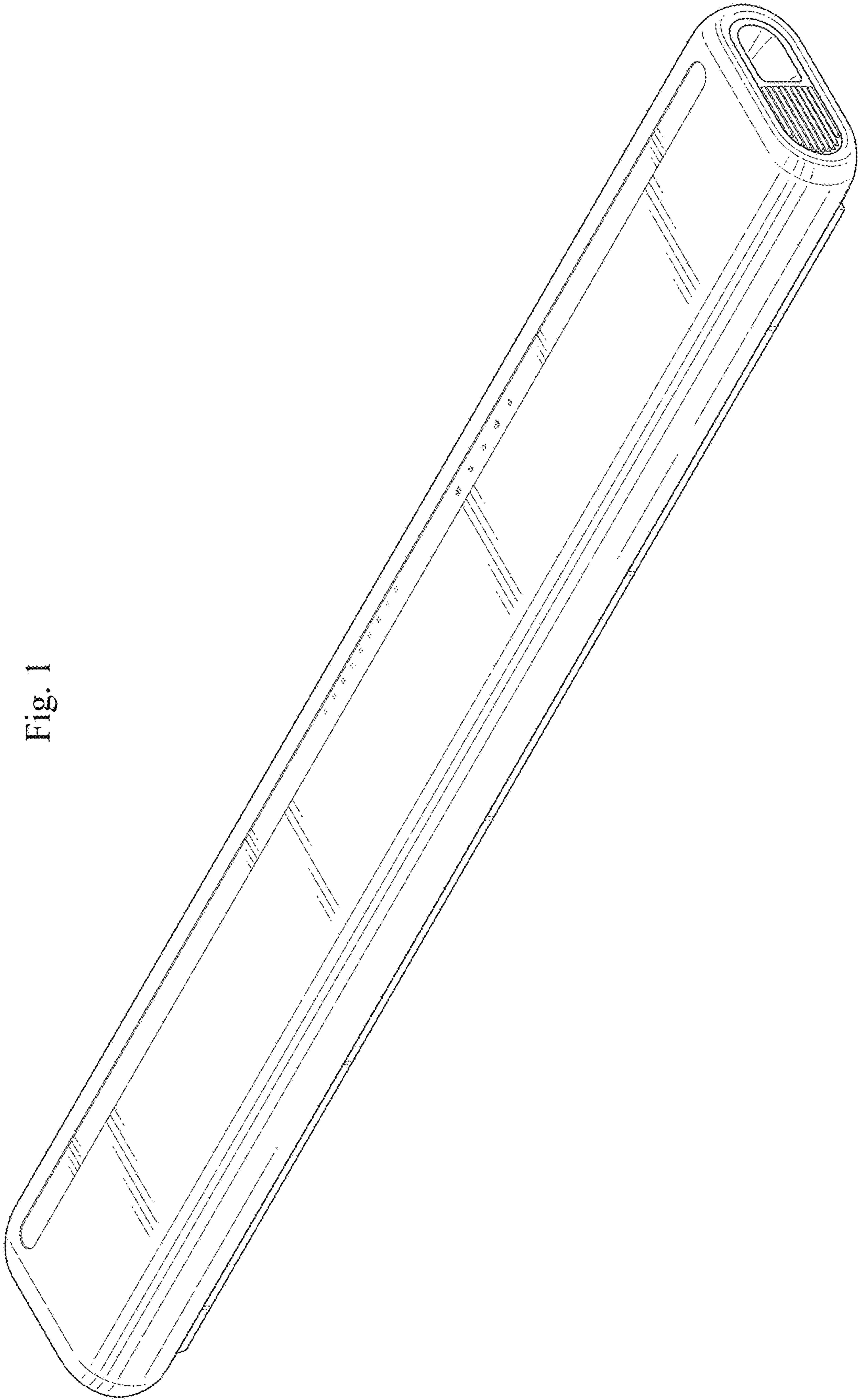


Fig. 1

Fig. 2

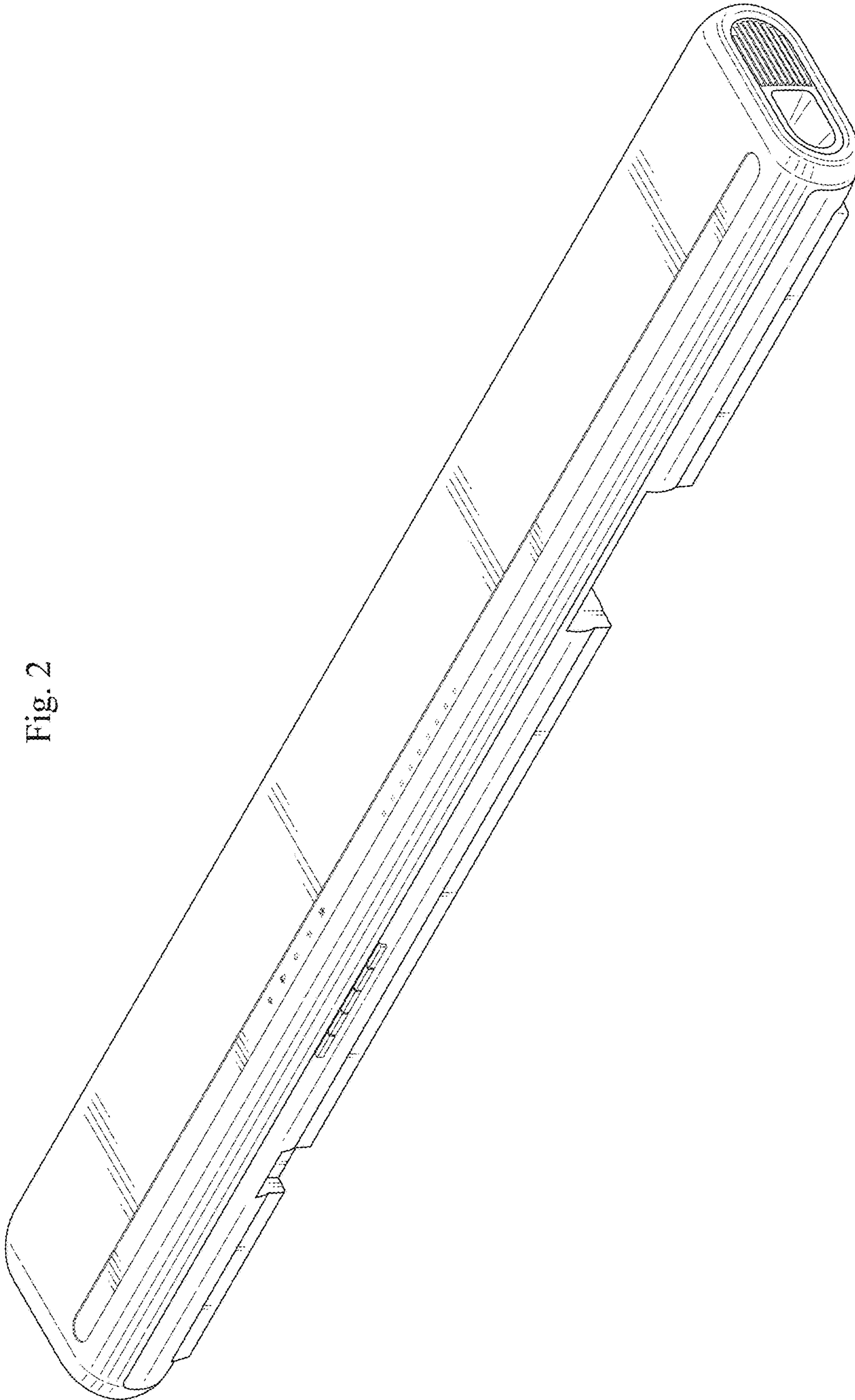


Fig. 3

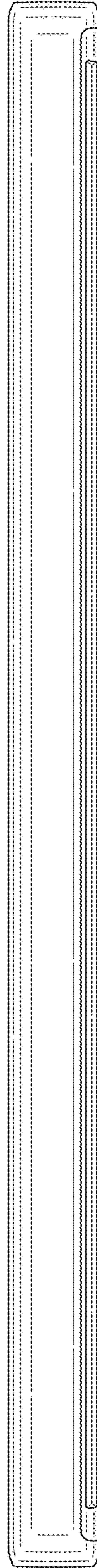


Fig. 4

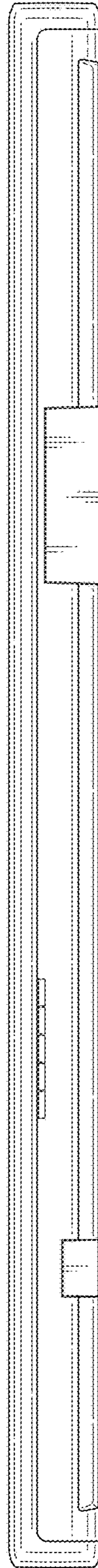


Fig. 5

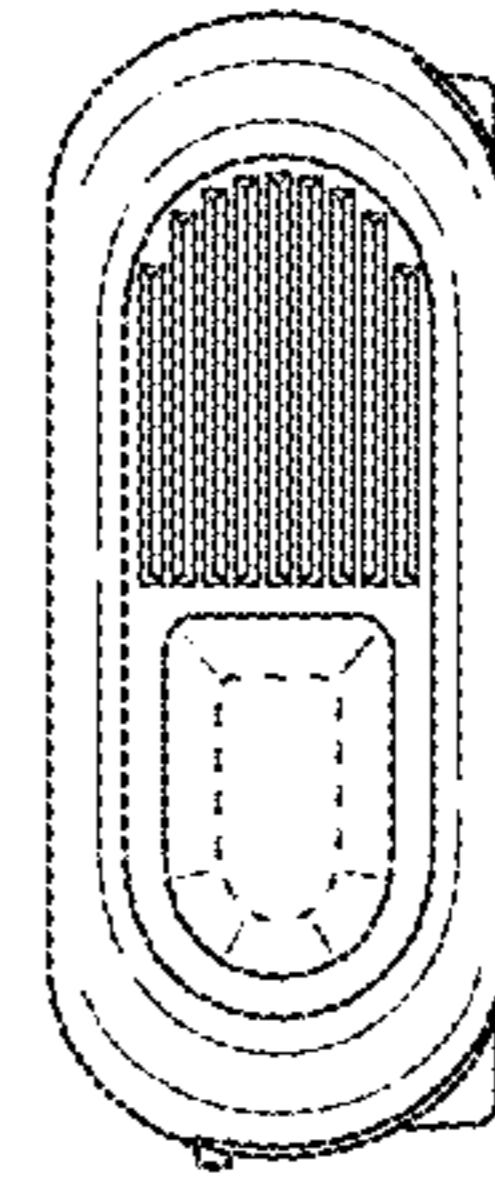


Fig. 6

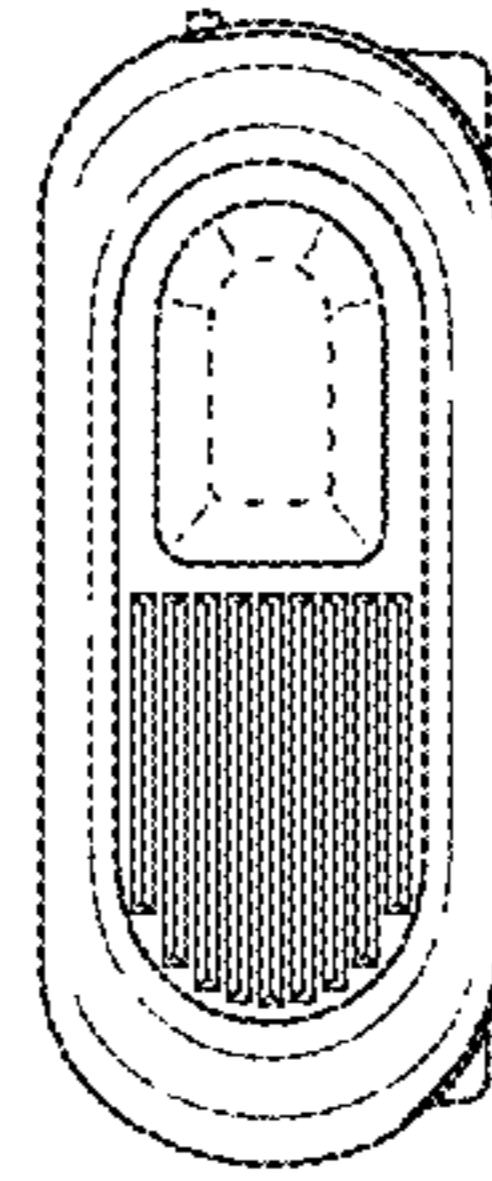


Fig. 7

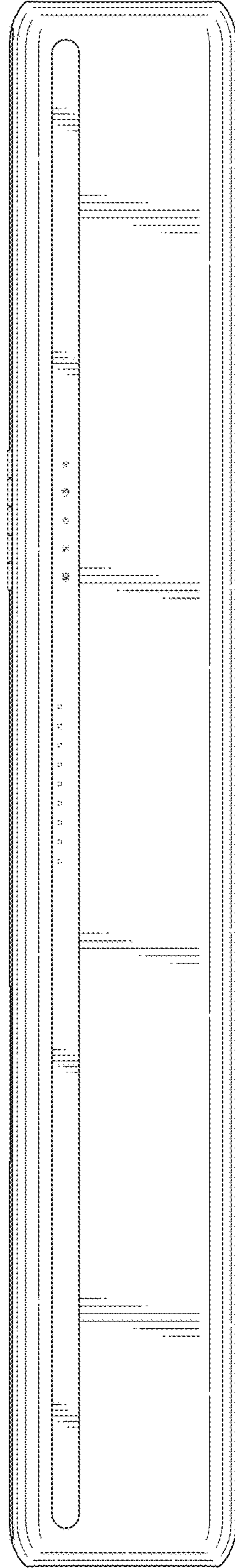


Fig. 8

