



US00D800693S

(12) **United States Design Patent**  
**Sugiura**

(10) **Patent No.:** **US D800,693 S**  
(45) **Date of Patent:** **\*\* Oct. 24, 2017**

- (54) **SPEAKER**
- (71) Applicant: **YAMAHA CORPORATION**, Shizuoka (JP)
- (72) Inventor: **Yoshihisa Sugiura**, Buena Park, CA (US)
- (73) Assignee: **YAMAHA CORPORATION**, Shizuoka (JP)

(\*\*) Term: **15 Years**

(21) Appl. No.: **29/552,220**

(22) Filed: **Jan. 21, 2016**

(51) **LOC (10) Cl.** ..... **14-01**

(52) **U.S. Cl.**  
USPC ..... **D14/214; D14/210**

(58) **Field of Classification Search**  
 USPC ..... D14/168, 188, 194, 195, 196, 204, 210, D14/211, 212, 213, 214, 215, 216  
 CPC ..... B60R 11/0217; G06F 1/1688; G10K 9/22; G10K 11/004; H03F 1/327; H04M 1/03; H04M 1/035; H04N 5/642; H04N 21/4852; H04S 3/00; H04S 7/30; H04R 1/02; H04R 1/06; H04R 1/021; H04R 1/025; H04R 1/026; H04R 1/028; H04R 1/105; H04R 1/323; H04R 1/403; H04R 1/2803; H04R 1/2834; H04R 5/02; H04R 7/20; H04R 9/06; H04R 9/025; H04R 2201/021; H04R 2400/00; H04R 2400/07; H04R 2499/11; H04R 2499/13; H04R 2499/15

See application file for complete search history.

(56) **References Cited**

**U.S. PATENT DOCUMENTS**

- D660,284 S \* 5/2012 Carbone ..... D14/214
- D681,009 S \* 4/2013 Meng ..... D14/214
- D688,231 S \* 8/2013 Nishii ..... D14/214

- D715,257 S \* 10/2014 Son ..... D14/214
- D715,259 S \* 10/2014 Han ..... D14/214
- D715,768 S \* 10/2014 Ryu ..... D14/211
- D726,153 S \* 4/2015 Chang ..... D14/214
- D759,629 S \* 6/2016 Kusano ..... D14/214
- D760,685 S \* 7/2016 Sugiura ..... D14/204
- D766,873 S \* 9/2016 Washio ..... D14/214
- D768,603 S \* 10/2016 Kim ..... D14/214
- D773,436 S \* 12/2016 Kim ..... D14/214
- 2009/0016555 A1 \* 1/2009 Lynnworth ..... G10K 11/24 381/338

**OTHER PUBLICATIONS**

YouTube—YAS-706 MusicCast, announced Sep. 14, 2016 [online], [site visited Feb. 16, 2017]. Available from internet, URL: <https://www.youtube.com/watch?v=EW2wU\_aShNY>.\*

(Continued)

*Primary Examiner* — Keli L Hill

*Assistant Examiner* — Karra S Johnson

(74) *Attorney, Agent, or Firm* — Sughrue Mion, PLLC

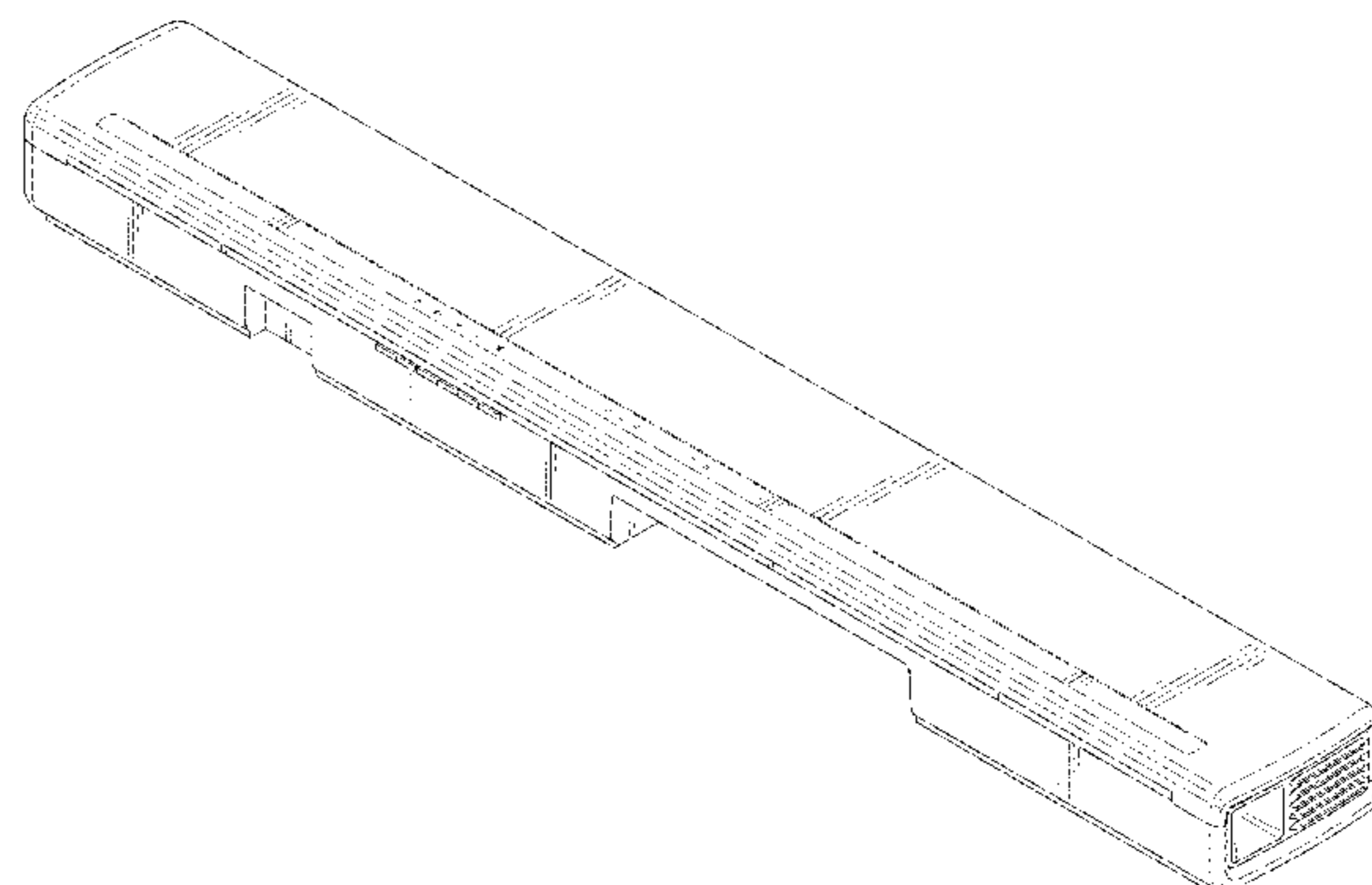
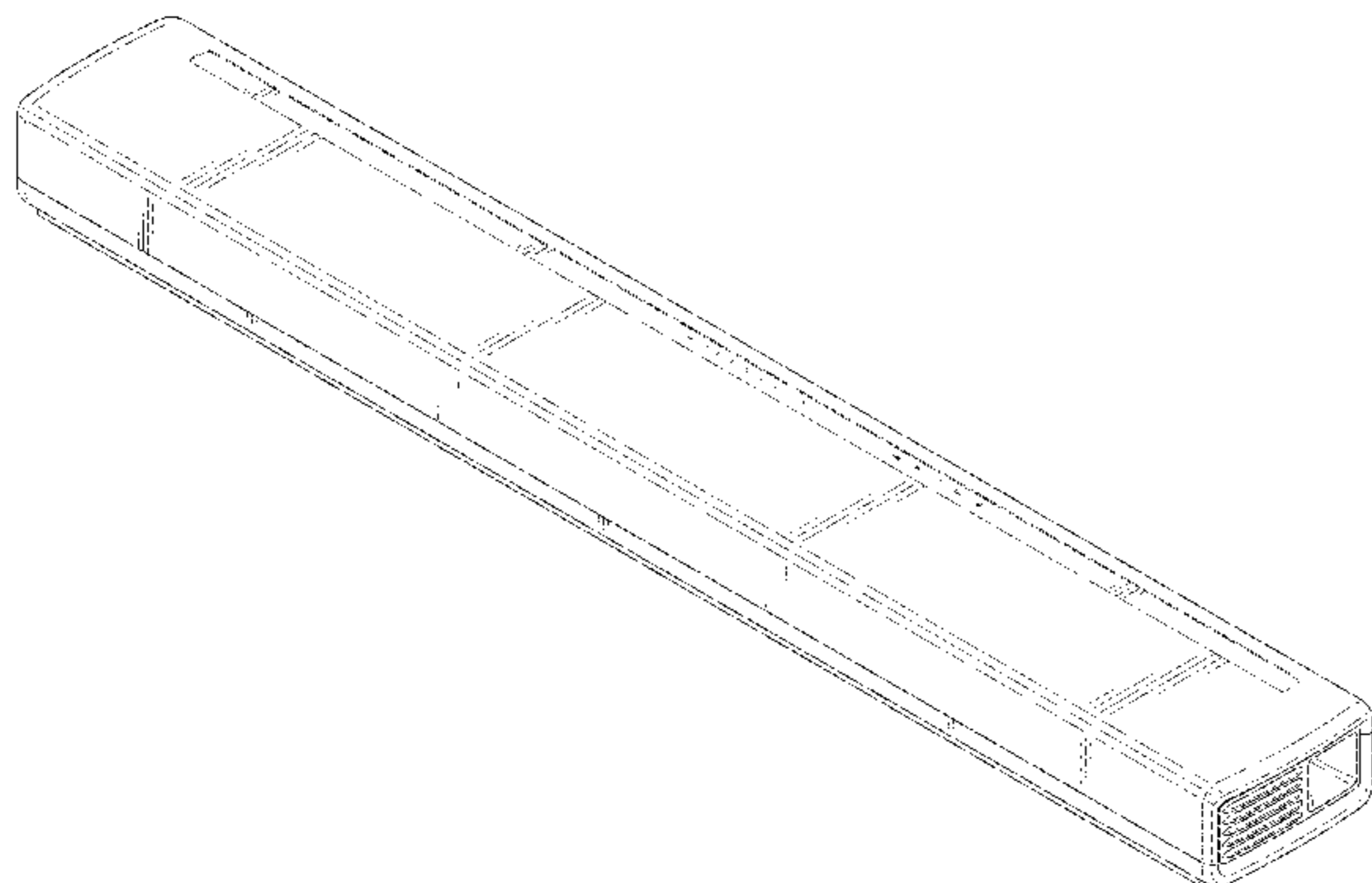
(57) **CLAIM**

The ornamental design for a speaker, as shown and described.

**DESCRIPTION**

FIG. 1 is a perspective view of the front, top and right side of a speaker showing my new design;  
 FIG. 2 is a perspective view of the rear, top and left side thereof;  
 FIG. 3 is a front view thereof;  
 FIG. 4 is a rear view thereof;  
 FIG. 5 is a left side view thereof;  
 FIG. 6 is a right side view thereof,  
 FIG. 7 is a top plan view thereof; and,  
 FIG. 8 is a bottom view thereof.  
 The broken lines showing features of the speaker, including two-dimensional surface ornamentation on the speaker's top surface, form no part of the claimed design.

**1 Claim, 8 Drawing Sheets**



(56)

**References Cited**

OTHER PUBLICATIONS

U.S. Appl. No. 29/552,225, Yoshihis Sugiura, filed Jan. 21, 2016.  
Office Action dated Feb. 3, 2017 issued by the Japanese Patent  
Office in counterpart Japanese Patent Application No. 2016-014974  
(Order), English Translation.

Office Action dated Feb. 3, 2017 issued by the Japanese Patent  
Office in counterpart Japanese Patent Application No. 2016-014974  
(Notification of Reasons for Refusal), English Translation.

\* cited by examiner

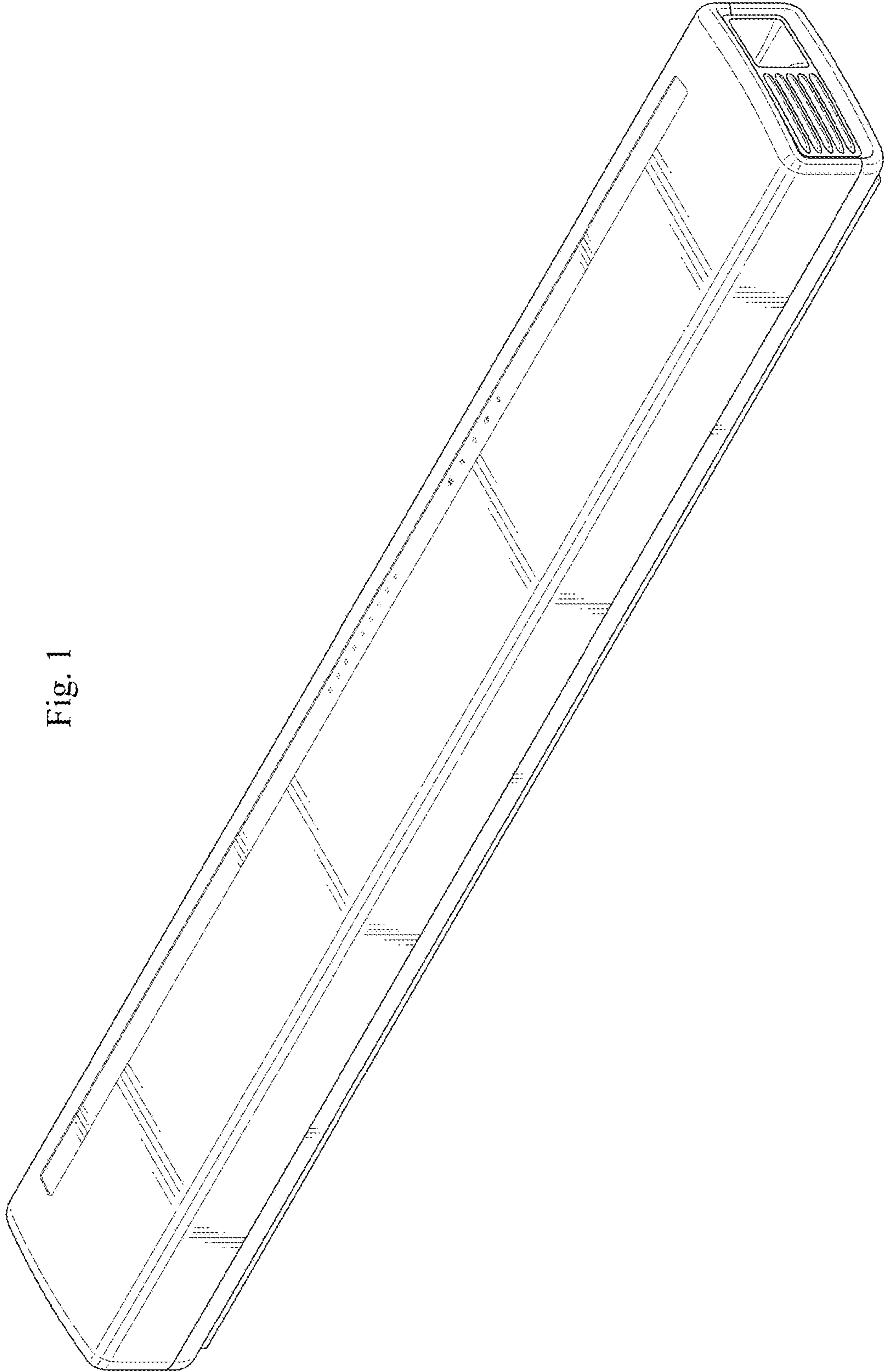


Fig. 1

Fig. 2

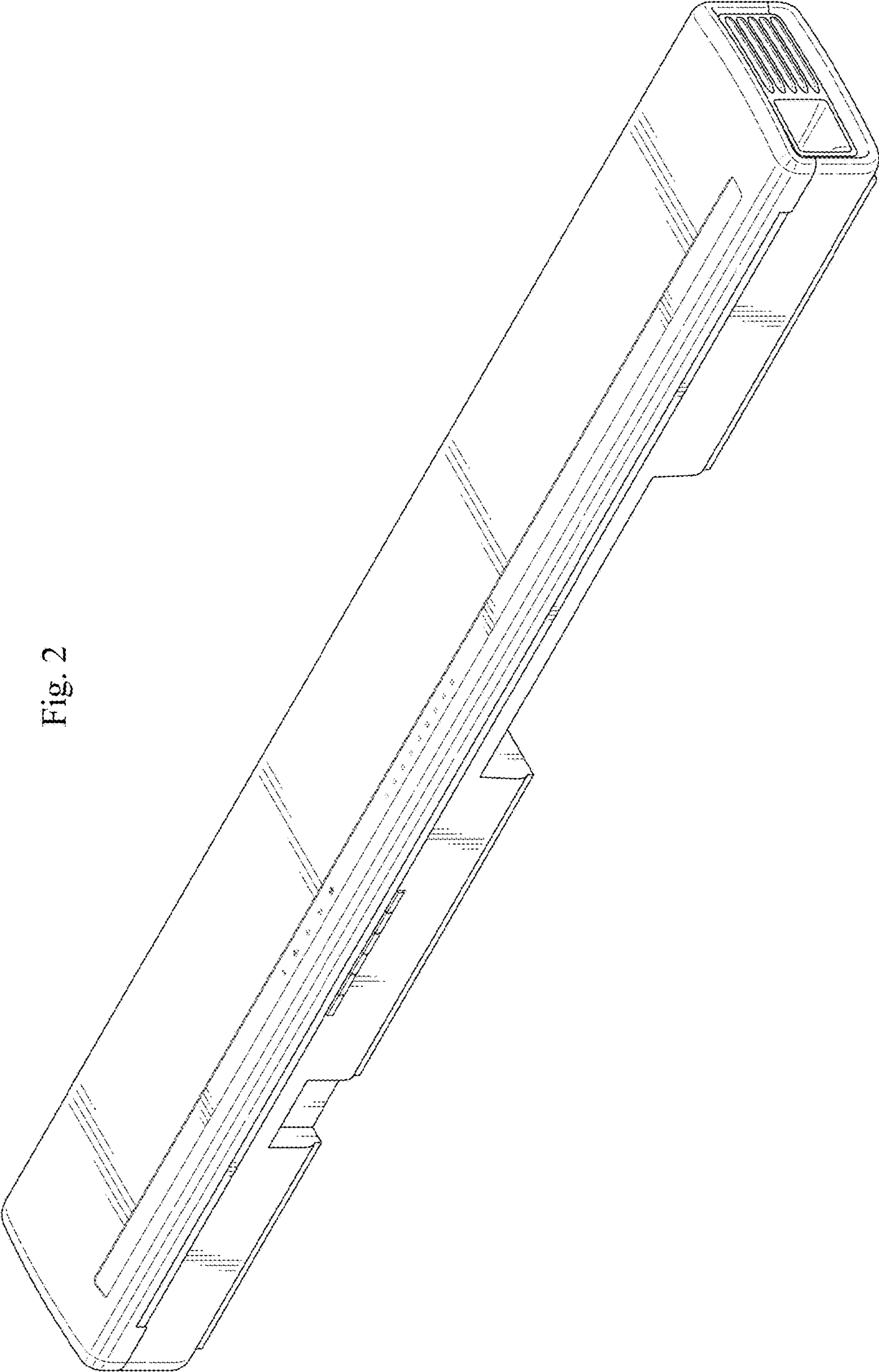


Fig. 3

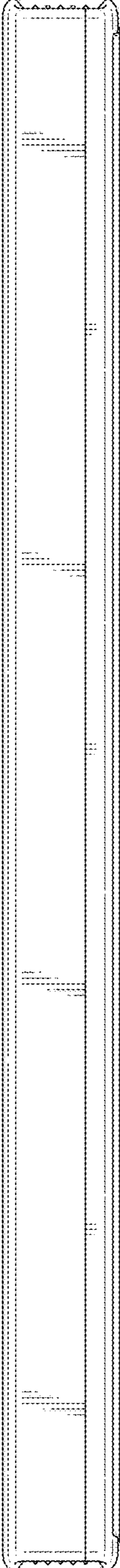


Fig. 4

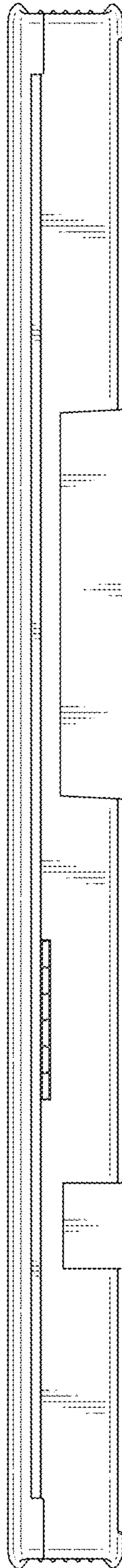


Fig. 5

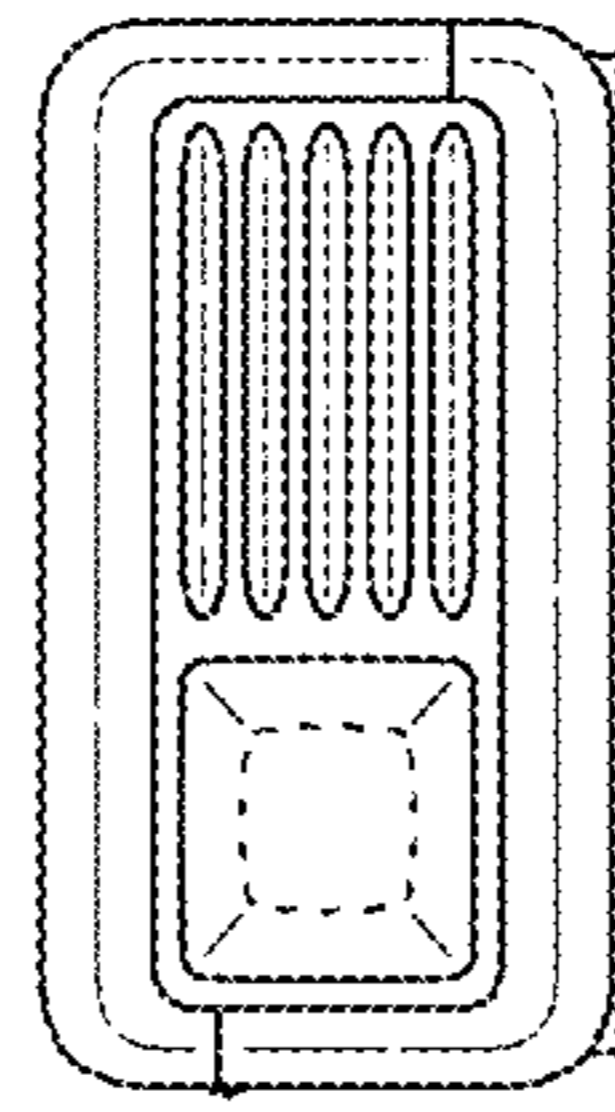


Fig. 6

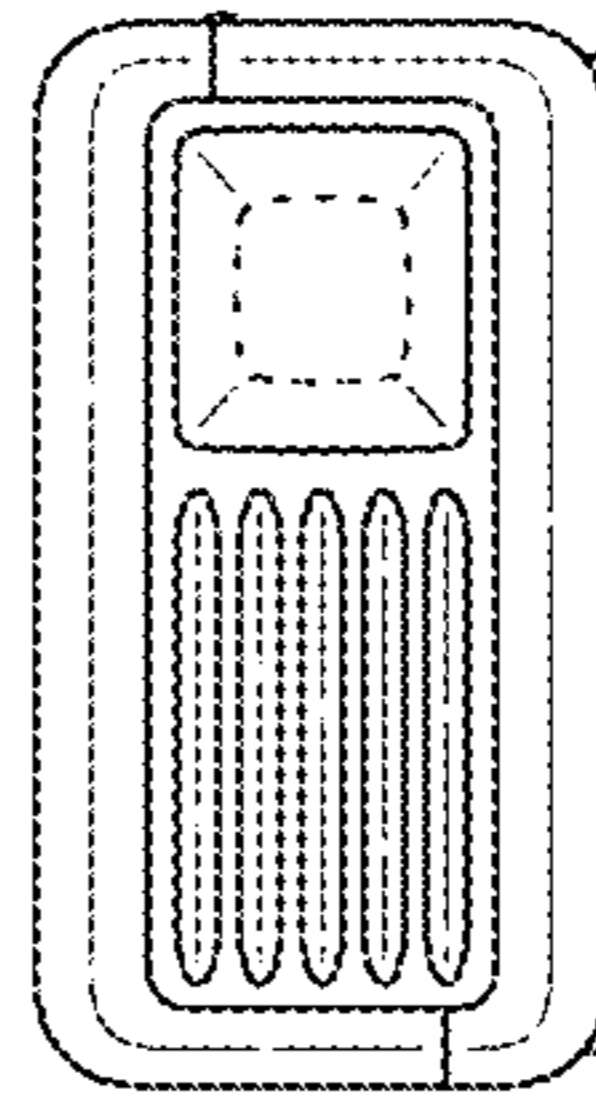




Fig. 7

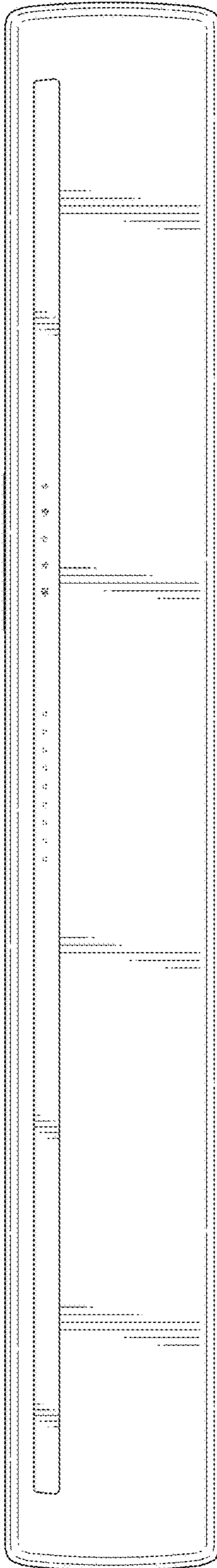


Fig. 8

