



US00D800692S

(12) **United States Design Patent**
Tan

(10) **Patent No.:** **US D800,692 S**

(45) **Date of Patent:** **** Oct. 24, 2017**

- (54) **WIRELESS HEADSET**
- (71) Applicant: **Shenzhen TEKSWO Technology Co., Ltd., Shenzhen (CN)**
- (72) Inventor: **Guorui Tan, Shenzhen (CN)**
- (73) Assignee: **SHENZHEN TEKSWO TECHNOLOGY CO., LTD, Shenzhen (CN)**
- (**) Term: **15 Years**
- (21) Appl. No.: **29/576,352**
- (22) Filed: **Sep. 2, 2016**
- (51) **LOC (10) Cl.** **14-01**
- (52) **U.S. Cl.**
USPC **D14/206; D14/223**
- (58) **Field of Classification Search**
USPC D14/206, 205, 223; 181/129, 130, 135; 379/430, 431; 381/380, 381, 74, 382, 381/370, 322, 325, 326, 328; 455/90.3, 455/575.1, 569.1; D24/174
CPC H04R 1/10; H04R 25/00; H04R 1/1016; H04R 1/1066; H04R 5/033; H04R 5/0335
See application file for complete search history.

- 6,560,346 B2 * 5/2003 Ohta H04R 1/083 381/370
- D498,227 S * 11/2004 Dyer D14/205
- D504,419 S * 4/2005 Bey D14/223
- D505,413 S * 5/2005 Skulley D14/223
- D506,258 S * 6/2005 Nielsen D24/174
- D510,082 S * 9/2005 Olson D14/206
- D511,156 S * 11/2005 Eroma D14/205
- D512,984 S * 12/2005 Ham D14/205
- D517,528 S * 3/2006 Skulley D14/206
- D519,498 S * 4/2006 Ham D14/225
- D520,496 S * 5/2006 Gwee D14/205
- D521,492 S * 5/2006 Ham D14/205
- 7,089,042 B2 * 8/2006 Bodley H04M 1/05 381/104
- D531,165 S * 10/2006 Rath D14/206
- D537,815 S * 3/2007 Bentley D14/206
- D539,266 S * 3/2007 Bentley D14/205
- D540,313 S * 4/2007 Rausch D14/225
- D540,778 S * 4/2007 Thompson D14/206
- D541,787 S * 5/2007 Ma D14/205
- D567,220 S * 4/2008 Wang D14/206
- D589,492 S * 3/2009 Mistry D14/205

(Continued)

Primary Examiner — Paula Allen Greene

(57) **CLAIM**

The ornamental design for a wireless headset, as shown and described.

DESCRIPTION

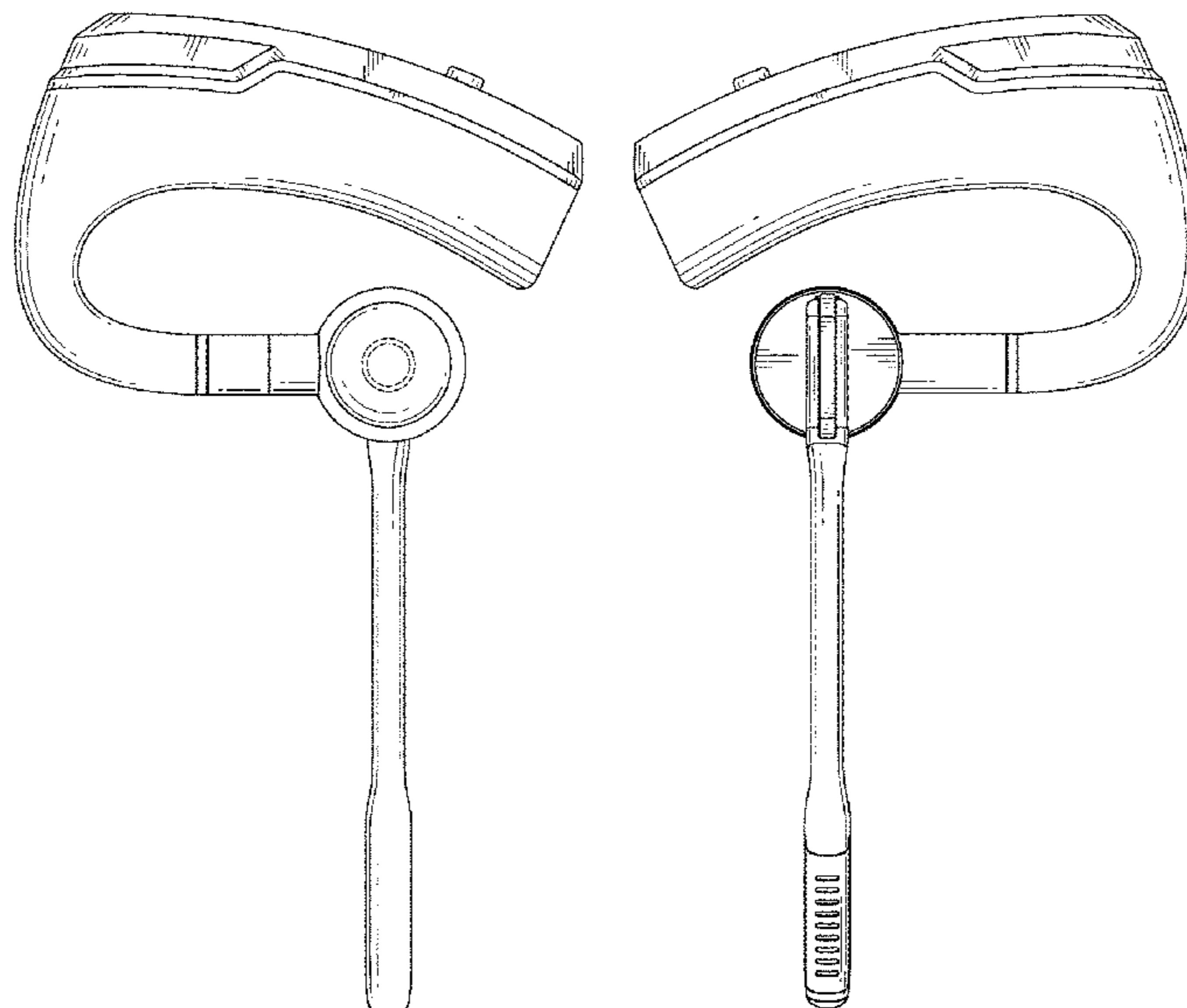
FIG. 1 is a perspective view of a wireless headset showing my new design;
 FIG. 2 is a front elevational view thereof;
 FIG. 3 is a rear elevational view thereof;
 FIG. 4 is a left side elevational view thereof;
 FIG. 5 is a right side elevational view thereof;
 FIG. 6 is a top plan view thereof; and,
 FIG. 7 is a bottom plan view thereof.
 The broken lines depict environment that forms no part of the claimed design.

1 Claim, 7 Drawing Sheets

(56) **References Cited**

U.S. PATENT DOCUMENTS

- D179,150 S * 11/1956 Norris D14/192
- 3,209,080 A * 9/1965 Guttner H04R 25/402 381/323
- D354,568 S * 1/1995 Araki D24/174
- D406,140 S * 2/1999 Hall D14/205
- D449,039 S * 10/2001 Weikel D14/227
- D451,907 S * 12/2001 Amae D14/206
- D457,635 S * 5/2002 Dittli D24/174
- D463,784 S * 10/2002 Taylor D14/206
- D474,178 S * 5/2003 Eroma D14/205



(56)

References Cited

U.S. PATENT DOCUMENTS

D589,934	S *	4/2009	Esses	D14/206
D597,072	S *	7/2009	Asai	D14/206
D602,001	S *	10/2009	Bentley	D14/206
D602,906	S *	10/2009	Groves	D14/205
7,602,929	B2 *	10/2009	Topholm	H04R 25/556 381/322
D603,372	S *	11/2009	Bentley	D14/206
D612,834	S *	3/2010	Yang	D14/206
D612,835	S *	3/2010	Yang	D14/206
D612,840	S *	3/2010	Yang	D14/206
D617,771	S *	6/2010	Groves	D14/205
D643,405	S *	8/2011	Rath	D14/206
D647,877	S *	11/2011	Son	D14/206
8,061,473	B1 *	11/2011	Kerr	A61F 11/008 181/135
D652,017	S *	1/2012	Groves	D14/206
D657,347	S *	4/2012	Chung	D14/206
D670,267	S *	11/2012	Maddern	D14/206
D671,915	S *	12/2012	Birger	D14/206
D681,014	S *	4/2013	Ham	D14/206
8,437,860	B1 *	5/2013	Crawford	H04R 25/60 607/1
D784,290	S *	4/2017	Paterson	D14/205
2005/0008178	A1 *	1/2005	Joergensen	H01H 13/84 381/322
2005/0259812	A1 *	11/2005	Chen	H04M 1/6066 379/431

* cited by examiner

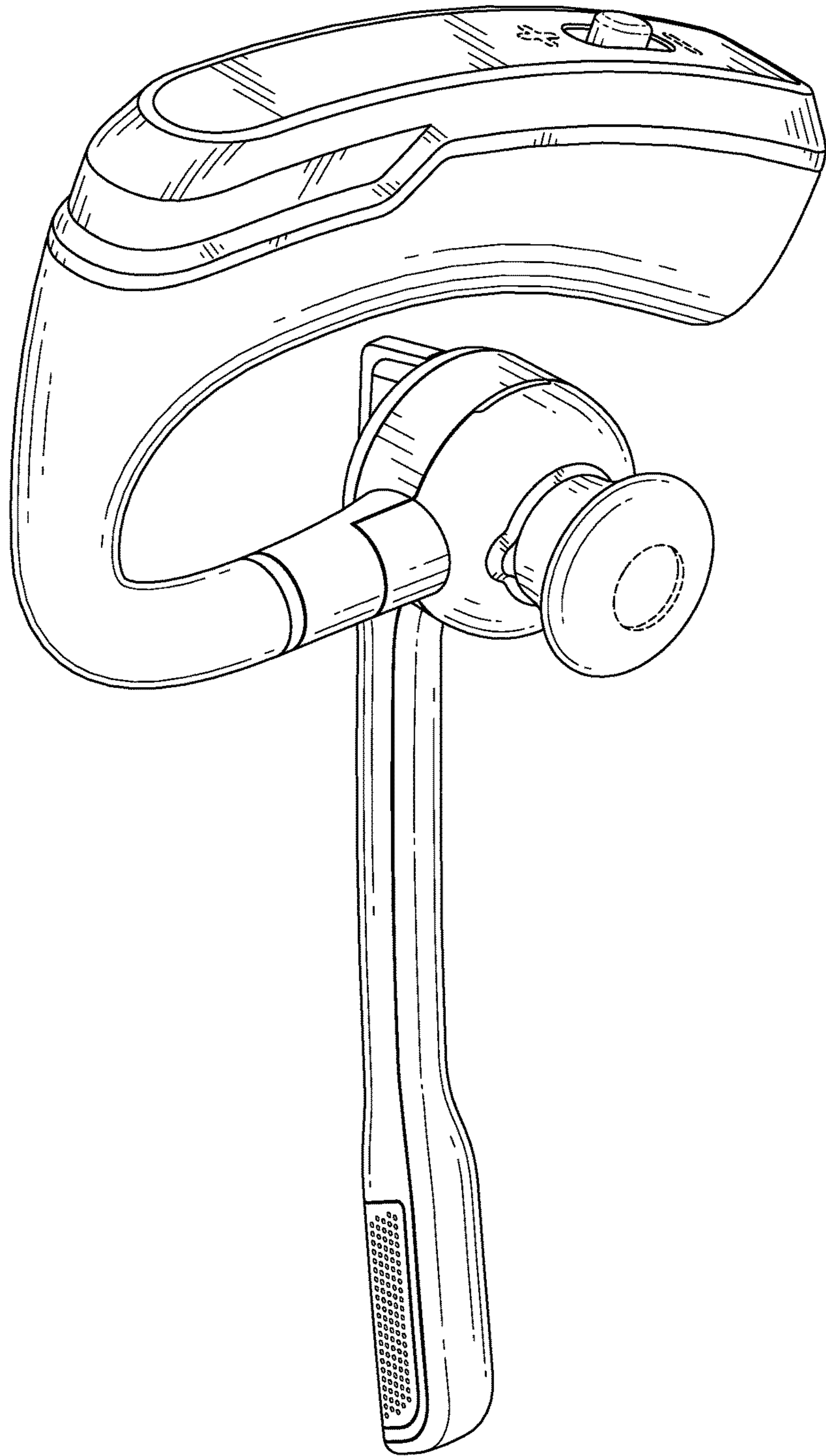


FIG. 1

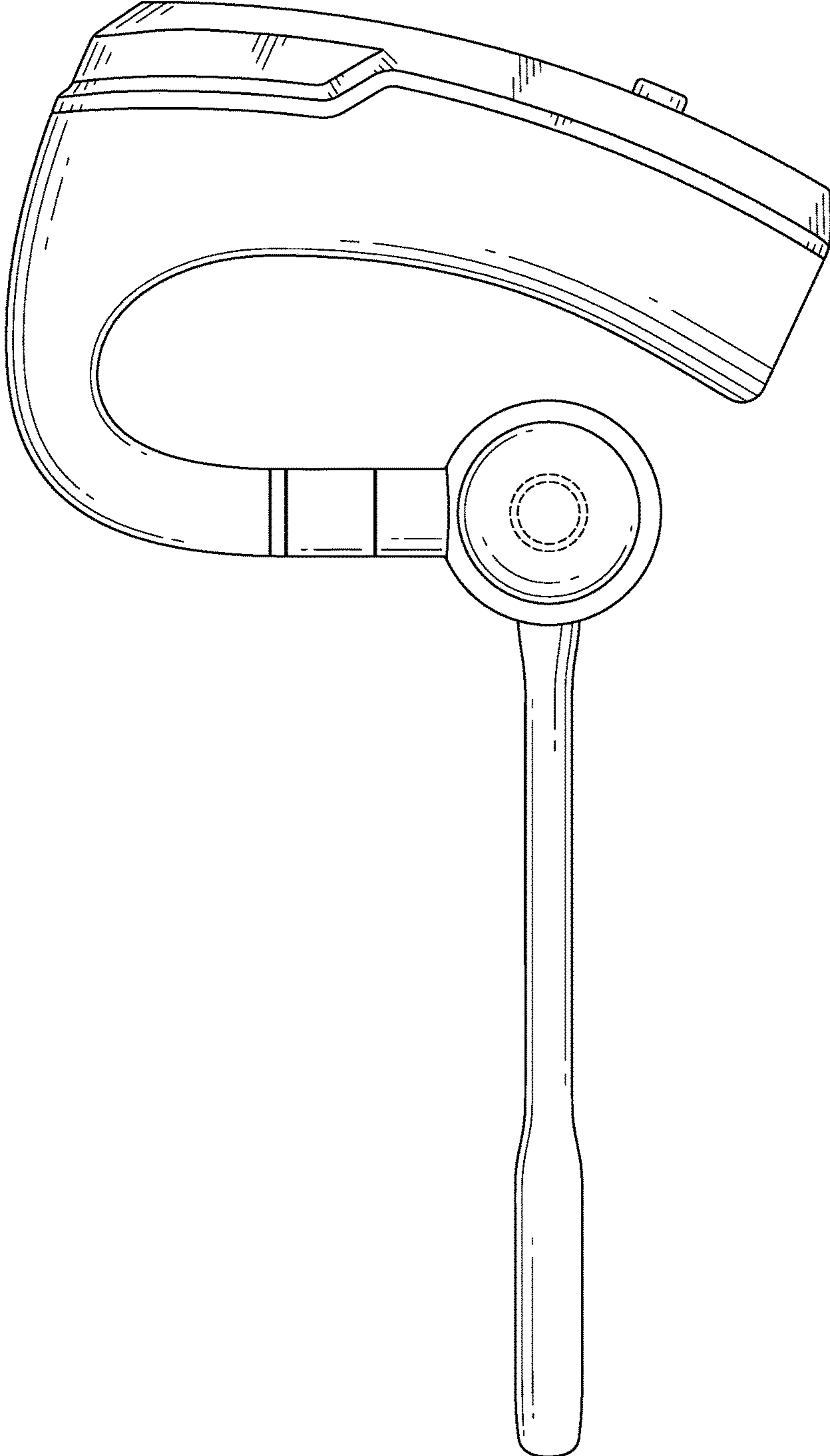


FIG. 2

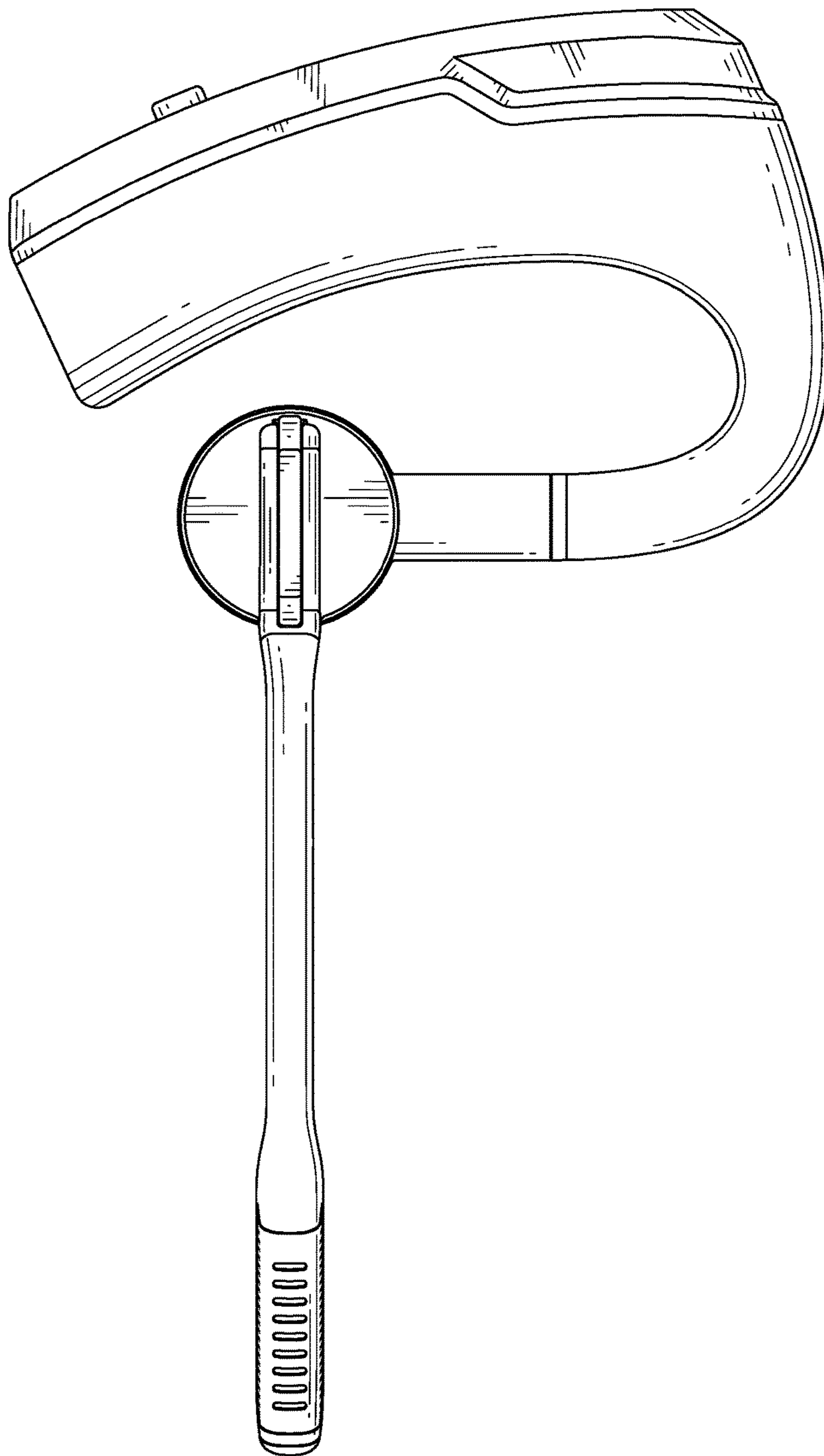


FIG. 3

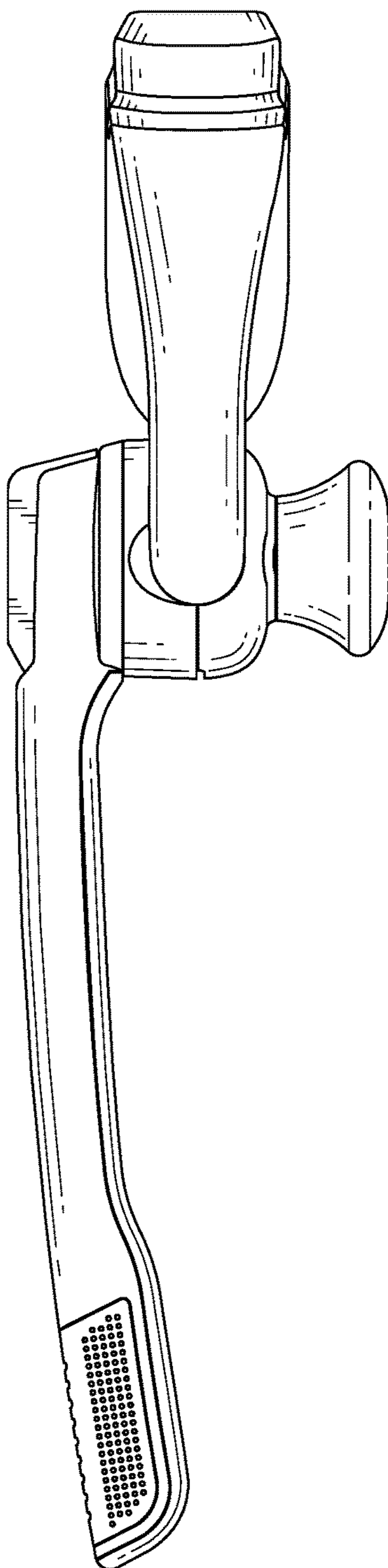


FIG. 4

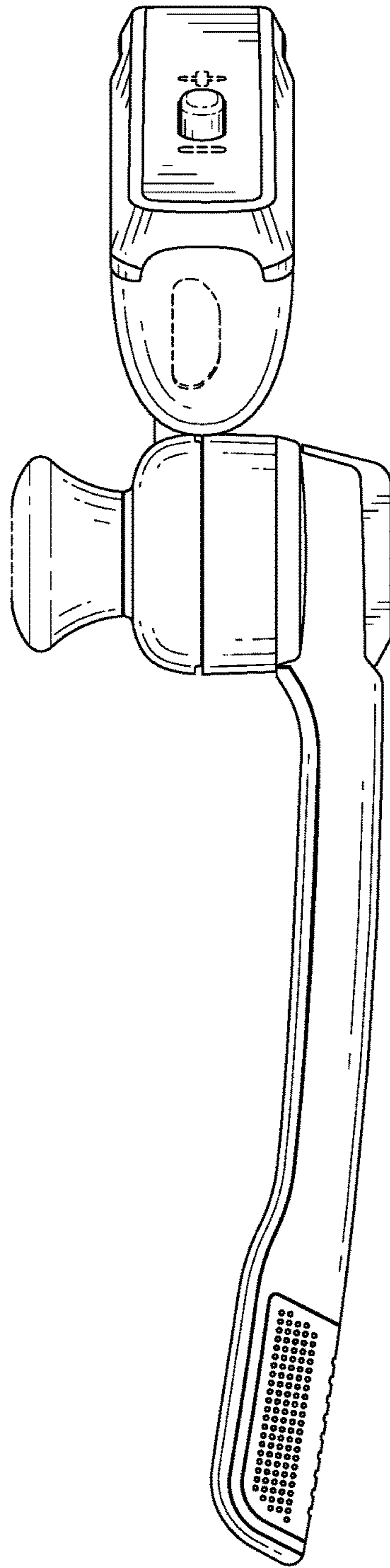


FIG. 5

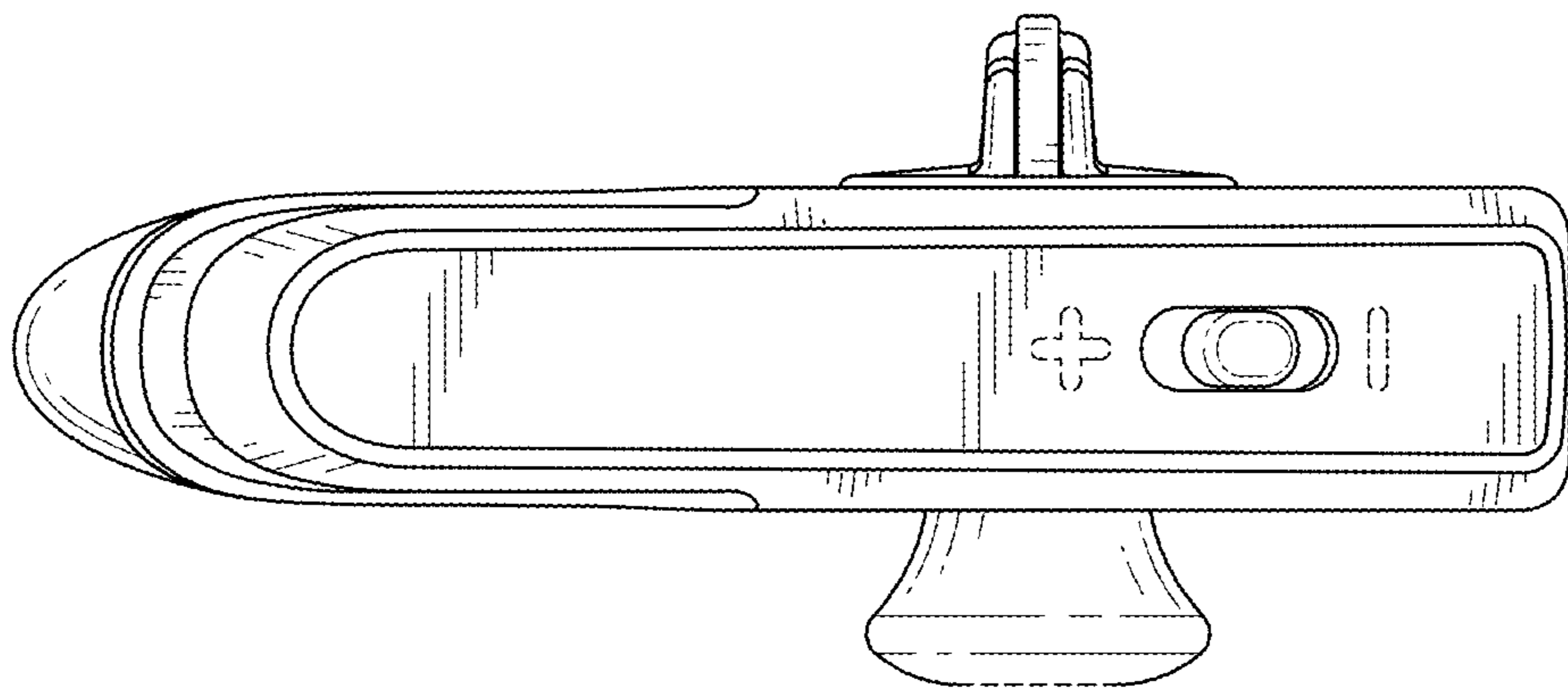


FIG. 6

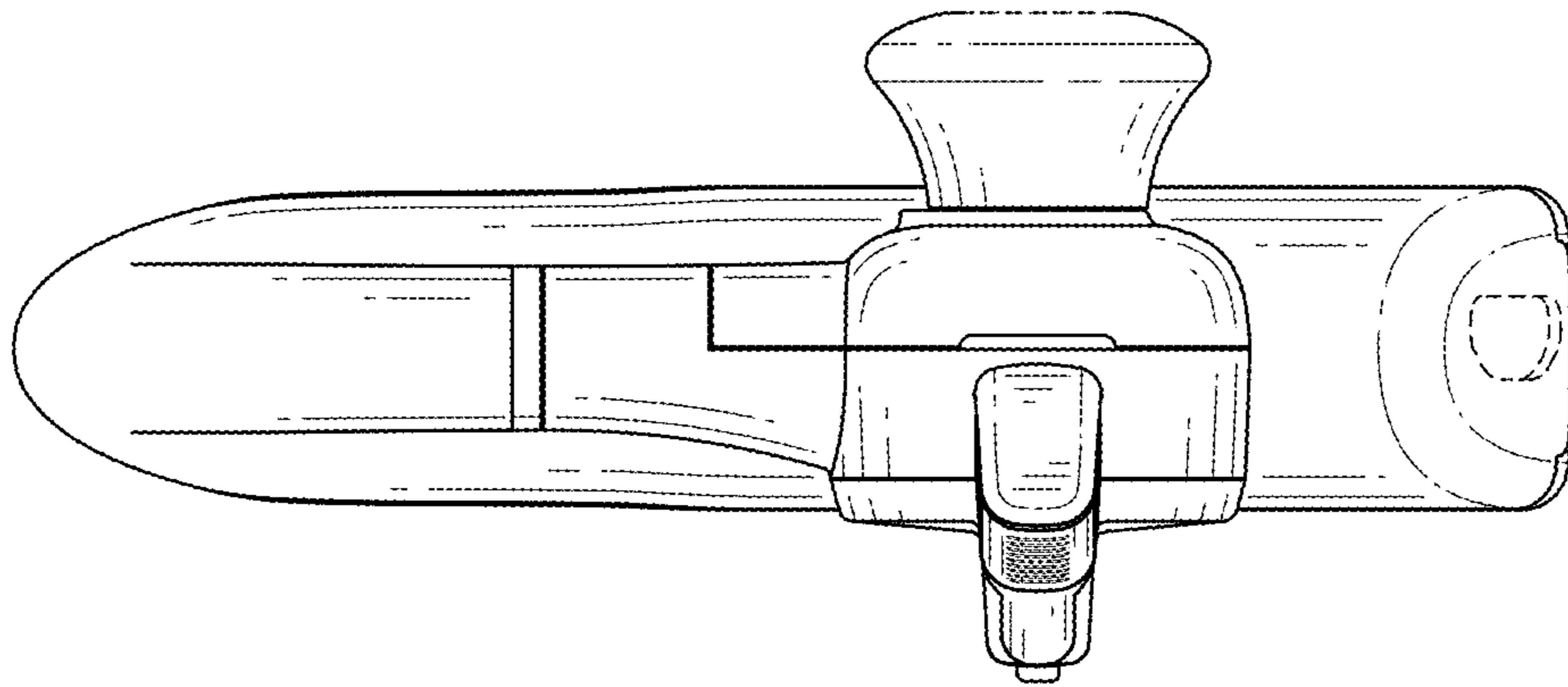


FIG. 7