



US00D800691S

(12) **United States Design Patent**
Ando et al.

(10) **Patent No.:** **US D800,691 S**
(45) **Date of Patent:** **** Oct. 24, 2017**

(54) **HEADPHONE**

(71) Applicant: **KABUSHIKI KAISHA**
AUDIO-TECHNICA, Tokyo (JP)

(72) Inventors: **Kozo Ando**, Kanagawa (JP); **Shohei Araki**, Kanagawa (JP)

(73) Assignee: **KABUSHIKI KAISHA**
AUDIO-TECHNICA, Tokyo (JP)

(**) Term: **15 Years**

(21) Appl. No.: **29/567,129**

(22) Filed: **Jun. 6, 2016**

(30) **Foreign Application Priority Data**

Dec. 25, 2015 (JP) 2015-028772

(51) **LOC (10) Cl.** **14-01**

(52) **U.S. Cl.**
USPC **D14/205**

(58) **Field of Classification Search**
USPC D14/205, 188, 192, 240; D29/112;
2/209; 181/129, 130, 135; 379/430, 431,
379/370, 371, 454, 455, 446, 449;
381/380, 381

CPC H04R 1/1066; H04R 1/1016; H04R 1/105;
H04R 25/00; H04R 5/033; H04R 5/0335;
H04R 1/1091; H04R 1/1058

See application file for complete search history.

(56) **References Cited**

U.S. PATENT DOCUMENTS

3,454,964 A * 7/1969 Brinkhoff A61F 11/14
2/209
D229,833 S * 1/1974 Woodbury D14/205
3,815,155 A * 6/1974 Davison A42B 3/166
2/209

D255,352 S * 6/1980 Besasie D14/205
5,018,599 A * 5/1991 Dohi H04R 1/1008
181/129
5,068,923 A * 12/1991 Sjoqvist A61F 11/14
181/129
D328,074 S * 7/1992 Yamazaki D14/205
5,406,037 A * 4/1995 Nageno H04R 5/0335
181/129
D375,584 S * 11/1996 Westerdal D29/112
D410,466 S * 6/1999 Mouri D14/205
D484,485 S * 12/2003 Matsuoka D14/205
D491,163 S * 6/2004 Green D14/205
D512,708 S * 12/2005 Harris, Jr. D14/205
D532,407 S * 11/2006 Motoishi D14/205
D540,301 S * 4/2007 Obata D14/205
D541,255 S * 4/2007 Taylor D14/205
D563,382 S * 3/2008 Wikel D14/205
7,388,960 B2 * 6/2008 Kuo H04R 1/1041
379/430
D573,581 S * 7/2008 Gondo D14/205

(Continued)

Primary Examiner — Paula Greene

(74) *Attorney, Agent, or Firm* — Whitham, Curtis & Cook, P.C.

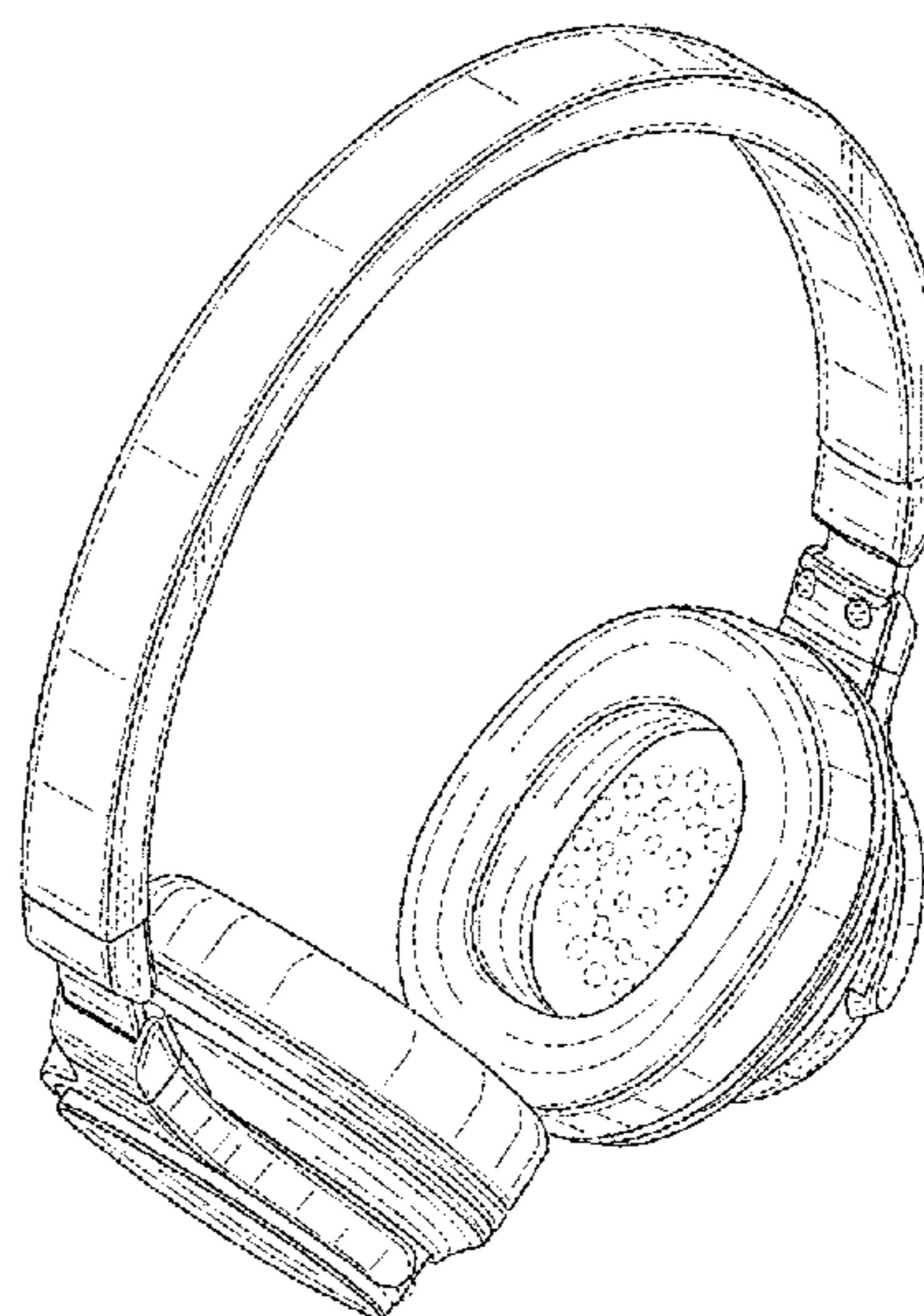
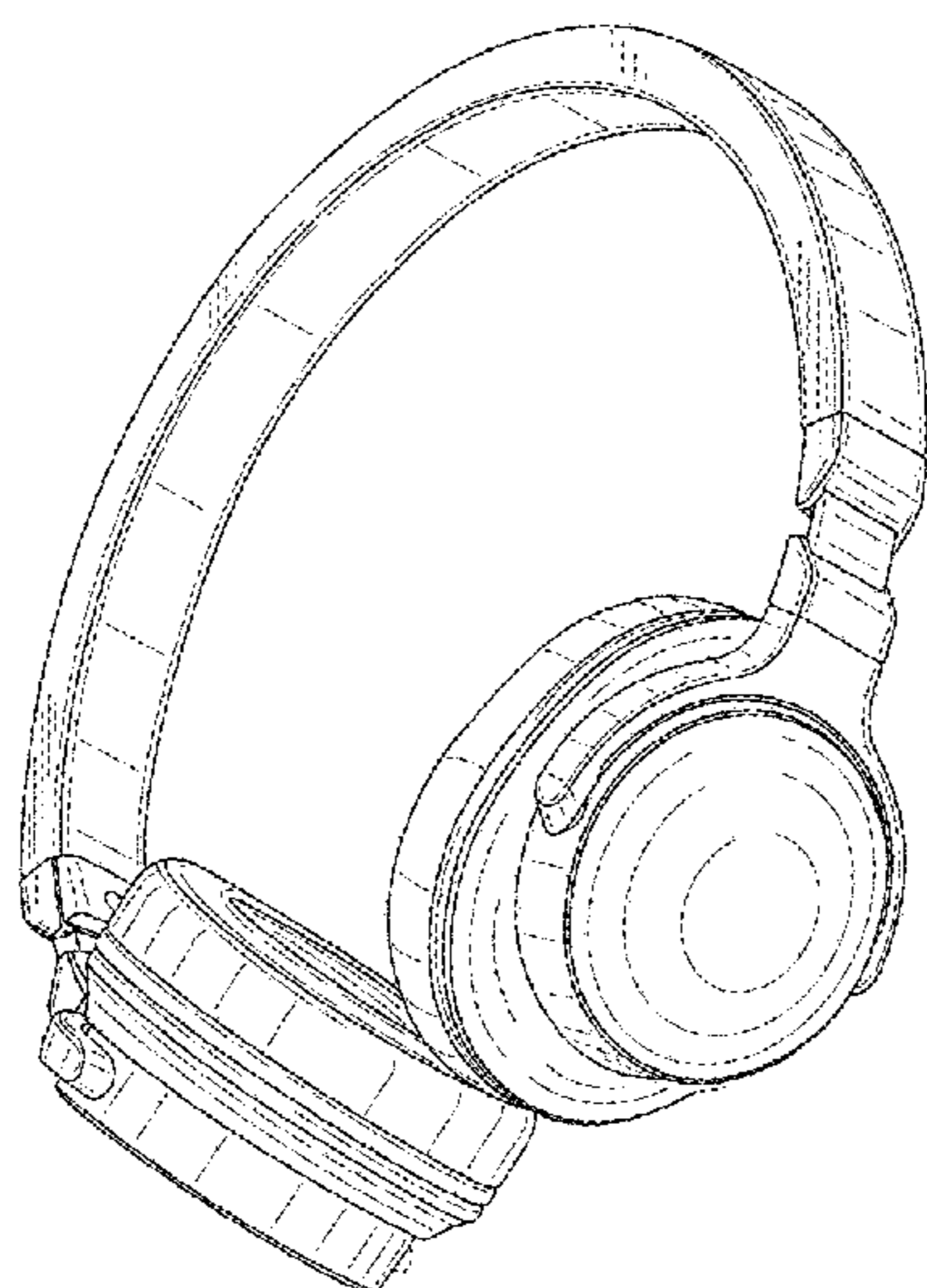
(57) **CLAIM**

We claim the ornamental design for a headphone, as shown and described.

DESCRIPTION

FIG. 1 is a front side perspective view of a headphone; FIG. 2 is a rear side perspective view of the headphone; FIG. 3 is a front elevational view of the headphone; FIG. 4 is a rear elevational view of the headphone; FIG. 5 is a top plan view of the headphone; FIG. 6 is a bottom plan view of the headphone; FIG. 7 is a left side elevational view of the headphone; and, FIG. 8 is a right side elevational view of the headphone. Portions of the drawings shown in broken lines form no part of the claimed design.

1 Claim, 8 Drawing Sheets



(56)

References Cited

U.S. PATENT DOCUMENTS

D581,394 S * 11/2008 Lee D14/205
 D585,871 S * 2/2009 Lee D14/205
 D592,639 S * 5/2009 Kuh D14/205
 D594,847 S * 6/2009 Suzuki D14/205
 D620,474 S * 7/2010 Komiyama D14/205
 D635,959 S * 4/2011 Hutchieson D14/205
 D639,776 S * 6/2011 Arimoto D14/205
 8,098,872 B2 * 1/2012 Chang H04R 1/1075
 381/370
 D665,775 S * 8/2012 Katsumata D14/205
 8,325,962 B2 * 12/2012 Ishida H04R 5/0335
 381/370
 D678,860 S * 3/2013 Hagelin D14/205
 D683,329 S * 5/2013 Hagelin D14/205
 D691,579 S * 10/2013 Lee D14/205
 D705,750 S * 5/2014 Wu H04R 1/1066
 D14/205
 D706,240 S * 6/2014 Szymanski H04R 1/1066
 D14/205

D706,241 S * 6/2014 Szymanski H04R 1/1066
 D14/205
 D716,762 S * 11/2014 Greve D14/206
 D719,136 S * 12/2014 Schaal D14/205
 D721,052 S * 1/2015 Carr D14/205
 D729,194 S * 5/2015 Boeckel D14/205
 D734,297 S * 7/2015 Sasaki D14/205
 D737,799 S * 9/2015 Carr D14/205
 D741,289 S * 10/2015 Schaal D14/205
 D758,337 S * 6/2016 Szymanski D14/205
 D761,761 S * 7/2016 Ando D14/205
 D765,055 S * 8/2016 Hsieh D14/205
 D767,531 S * 9/2016 Szymanski D14/205
 D784,298 S * 4/2017 Ozawa D14/223
 D787,470 S * 5/2017 Kelly D14/205
 2008/0069391 A1 * 3/2008 Steyn H04R 1/1025
 381/371
 2010/0310093 A1 * 12/2010 Semcken H04R 1/1058
 381/104
 2013/0177165 A1 * 7/2013 Oishi H04R 1/1041
 381/74
 2014/0363016 A1 * 12/2014 Blonder H04R 1/1025
 381/74

* cited by examiner

FIG. 1

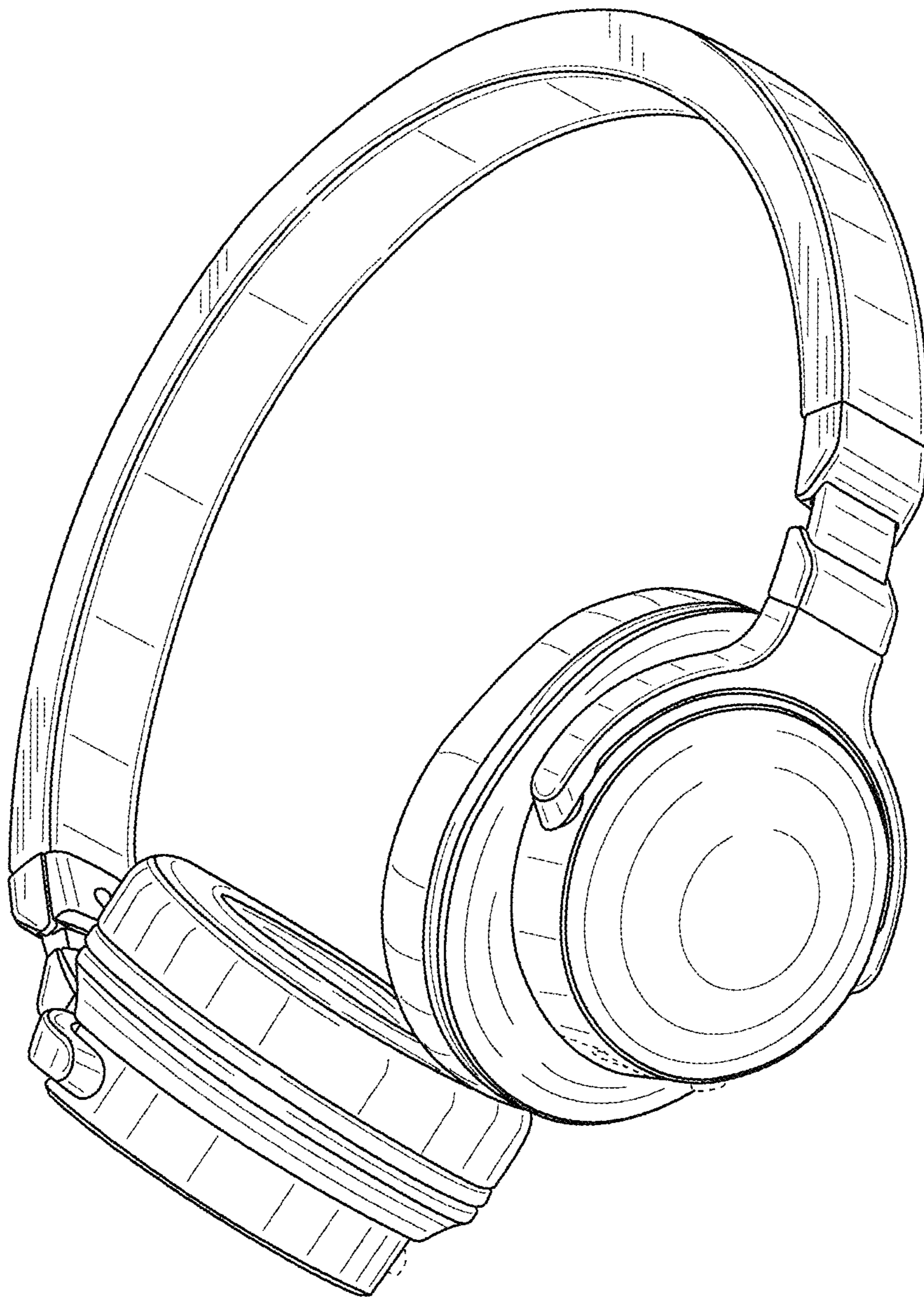


FIG. 2

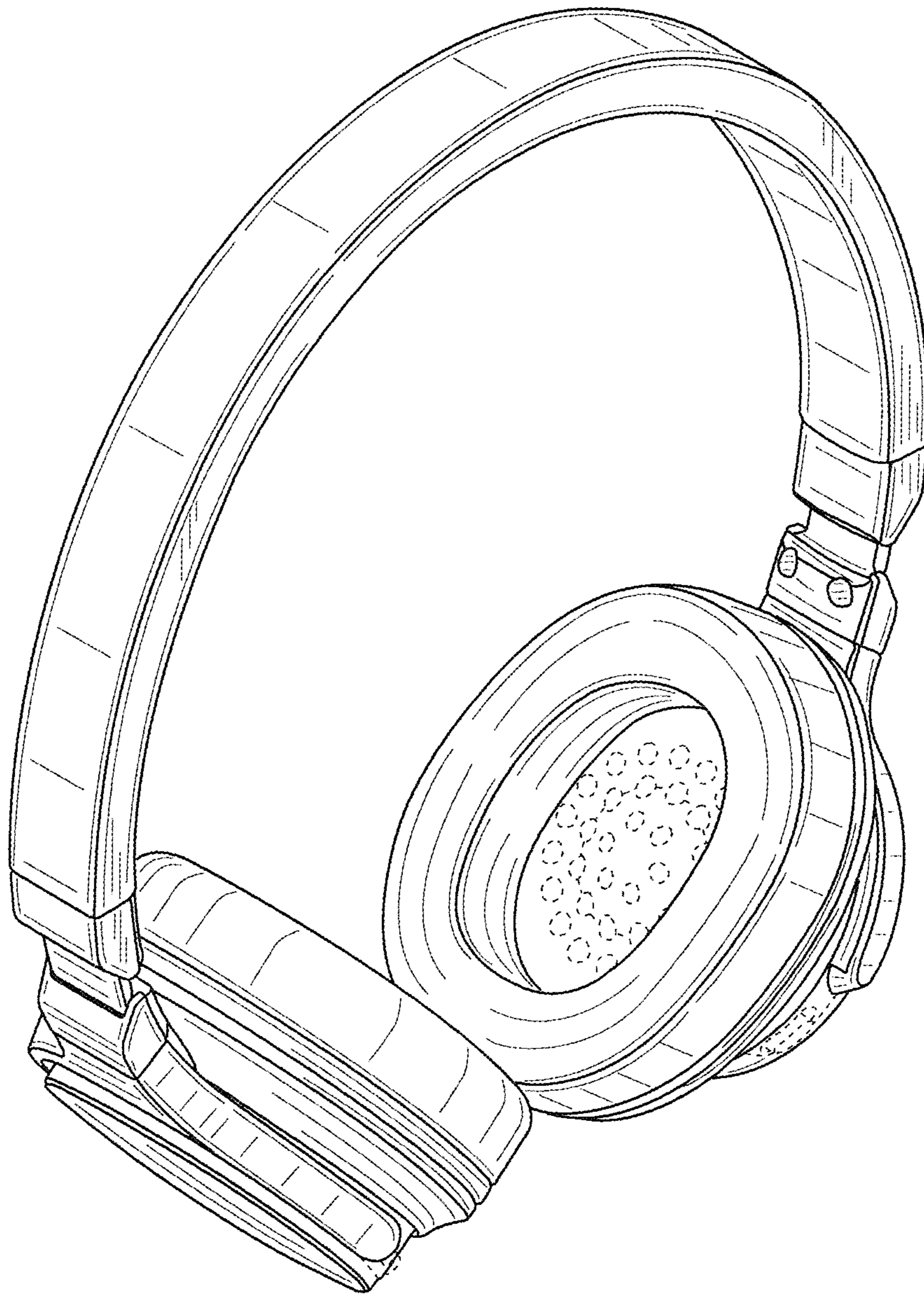


FIG. 3



FIG. 4



FIG. 5

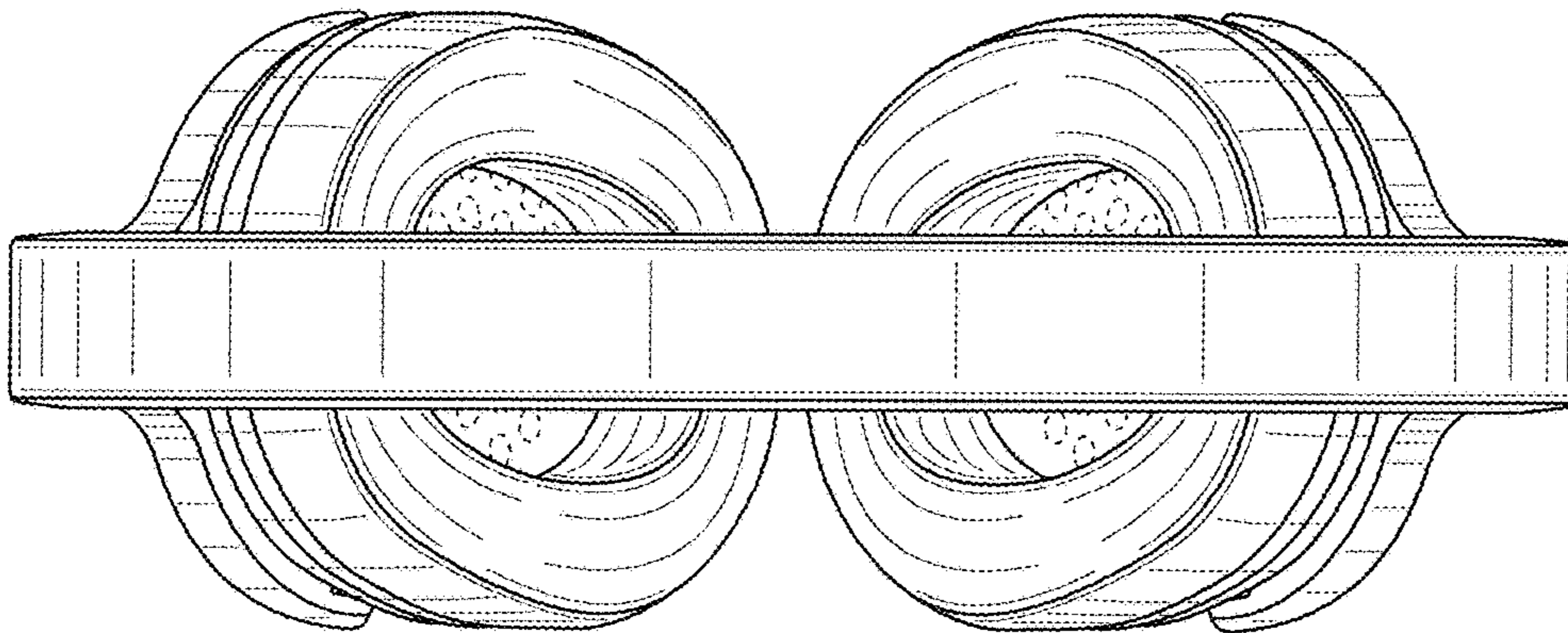


FIG. 6

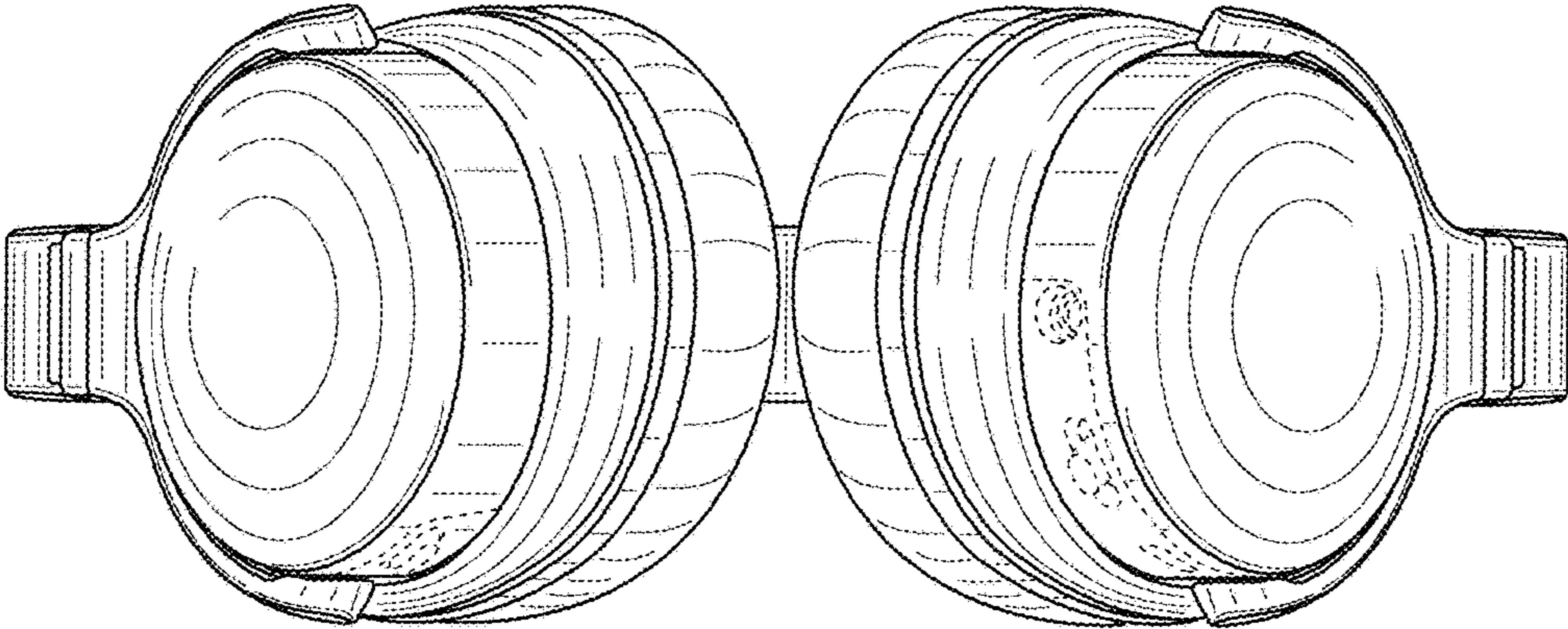


FIG. 7

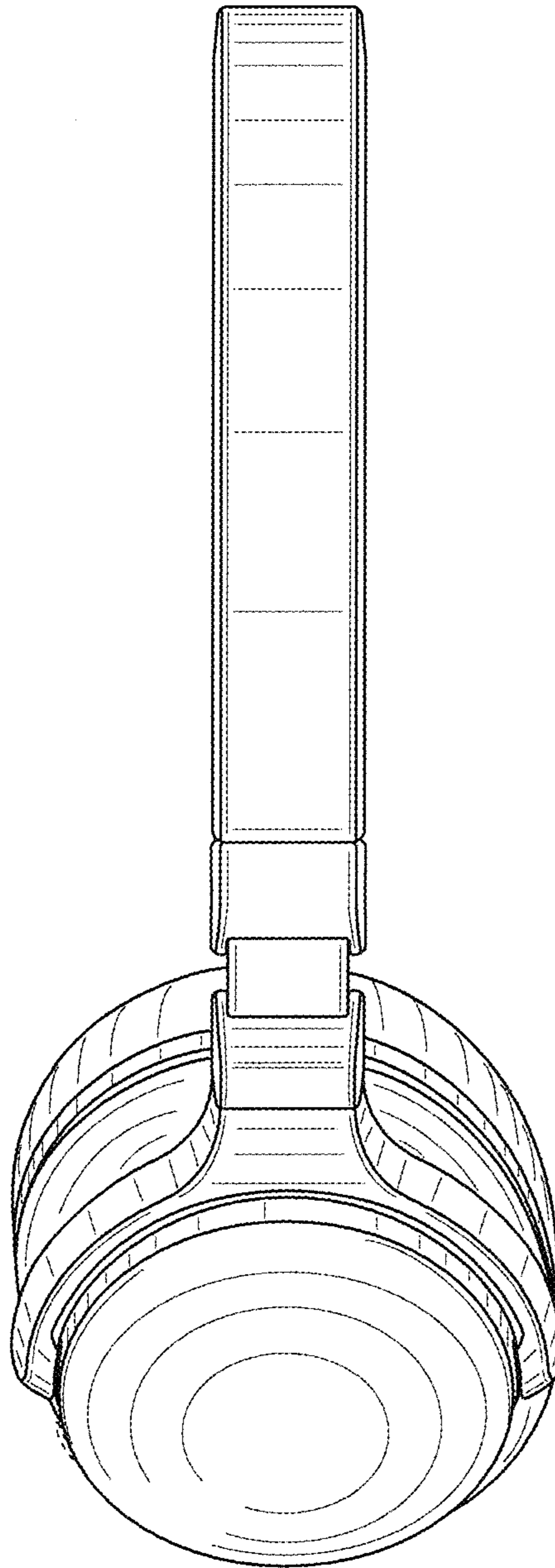


FIG. 8

