



US00D800688S

(12) **United States Design Patent** (10) **Patent No.:** **US D800,688 S**
Mikalauskas (45) **Date of Patent:** **** Oct. 24, 2017**

(54) **FLAT PANEL SPEAKER**
 (71) Applicant: **Amina Technologies Ltd.**, Huntingdon (GB)
 (72) Inventor: **Egidijus Mikalauskas**, Peterborough (GB)
 (73) Assignee: **Amina Technologies Limited**, Cambridgeshire (GB)

D461,790 S * 8/2002 Takeshi D14/204
 D477,307 S * 7/2003 Tierney D14/214
 D514,110 S * 1/2006 Liu D14/441
 D558,185 S * 12/2007 Schul D14/168
 D561,170 S * 2/2008 Koike D14/204
 D562,804 S * 2/2008 Fujiwara D14/214
 D659,121 S * 5/2012 Chen D14/215
 D716,263 S * 10/2014 Lewis D14/215
 2013/0306399 A1 * 11/2013 Swan H04R 1/026
 181/199

* cited by examiner

(**) Term: **15 Years**

Primary Examiner — Ian Simmons
Assistant Examiner — Janice Lim

(21) Appl. No.: **29/557,773**

(74) *Attorney, Agent, or Firm* — Workman Nydegger

(22) Filed: **Mar. 11, 2016**

(57) **CLAIM**

(51) **LOC (10) Cl.** **14-01**

The ornamental design for a flat panel speaker, as shown and described.

(52) **U.S. Cl.**

USPC **D14/204**

DESCRIPTION

(58) **Field of Classification Search**

USPC D14/168, 204, 209–217, 441; 181/143, 181/144, 147, 148, 150, 151, 153, 157, 181/198, 199; 381/300–302, 306, 332, 381/333, 336, 345, 361–364, 386–388
 CPC H04R 1/02; H04R 1/021; H04R 1/023; H04R 5/00; H04R 9/06; H04R 2420/07
 See application file for complete search history.

FIG. 1 is a top, rear, left perspective view of a flat panel speaker, showing my new design;
 FIG. 2 is a front elevational view thereof;
 FIG. 3 is a rear elevational view thereof;
 FIG. 4 is a left side elevational view thereof;
 FIG. 5 is a right side elevational view thereof;
 FIG. 6 is a top plan view thereof, shown in an enlarged scale;
 and,
 FIG. 7 is a bottom plan view thereof, shown in an enlarged scale.

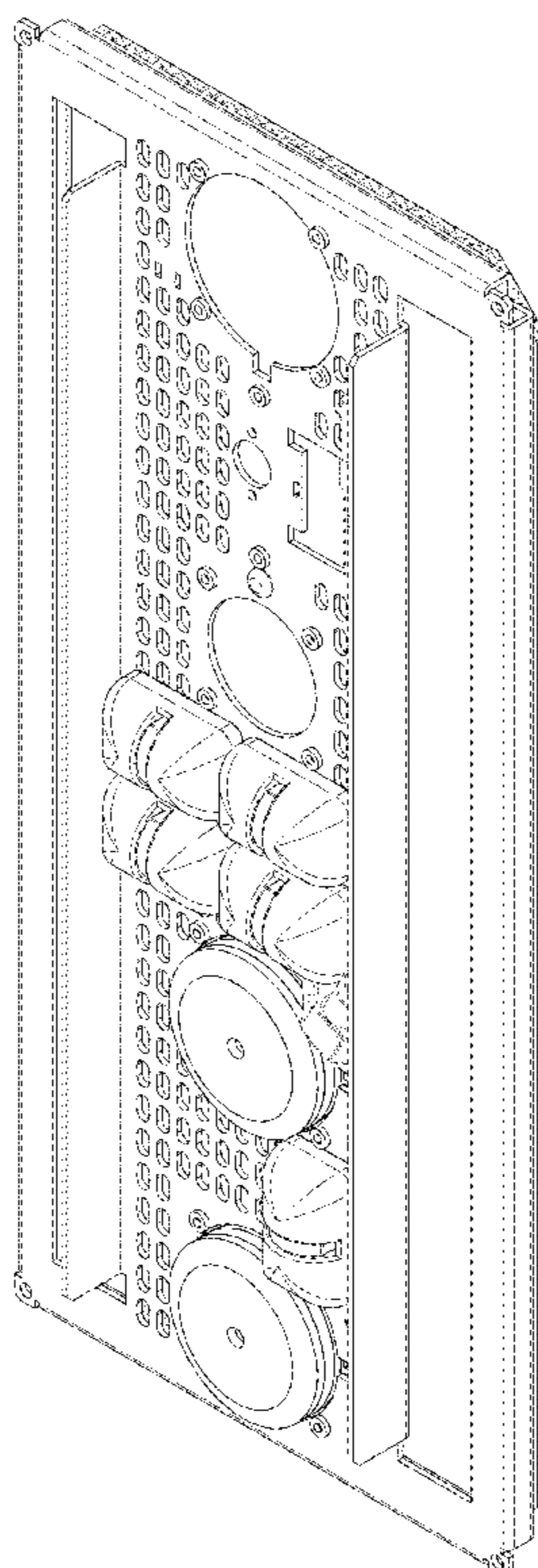
(56) **References Cited**

U.S. PATENT DOCUMENTS

D321,196 S * 10/1991 Yamamoto D14/211
 D425,897 S * 5/2000 Cho D14/214
 D449,829 S * 10/2001 Gustavsson D14/214

Dotted lines shown in the drawings represent environmental subject matter and form no part of the claimed design.

1 Claim, 5 Drawing Sheets



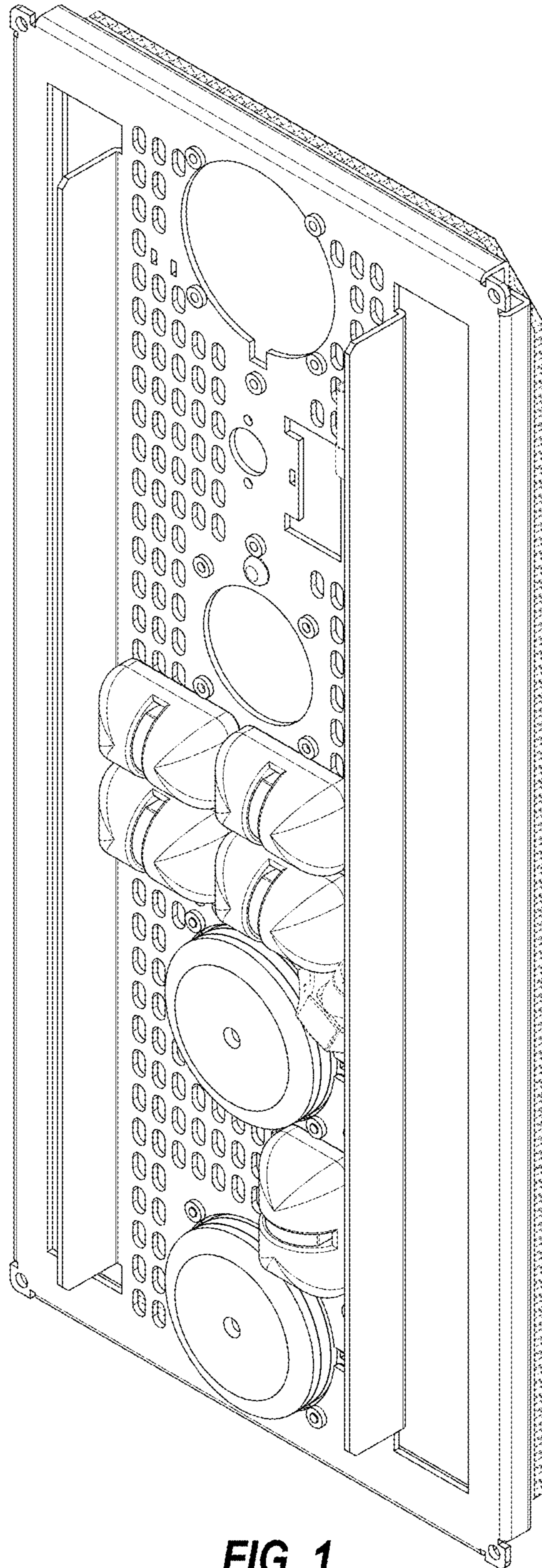


FIG. 1

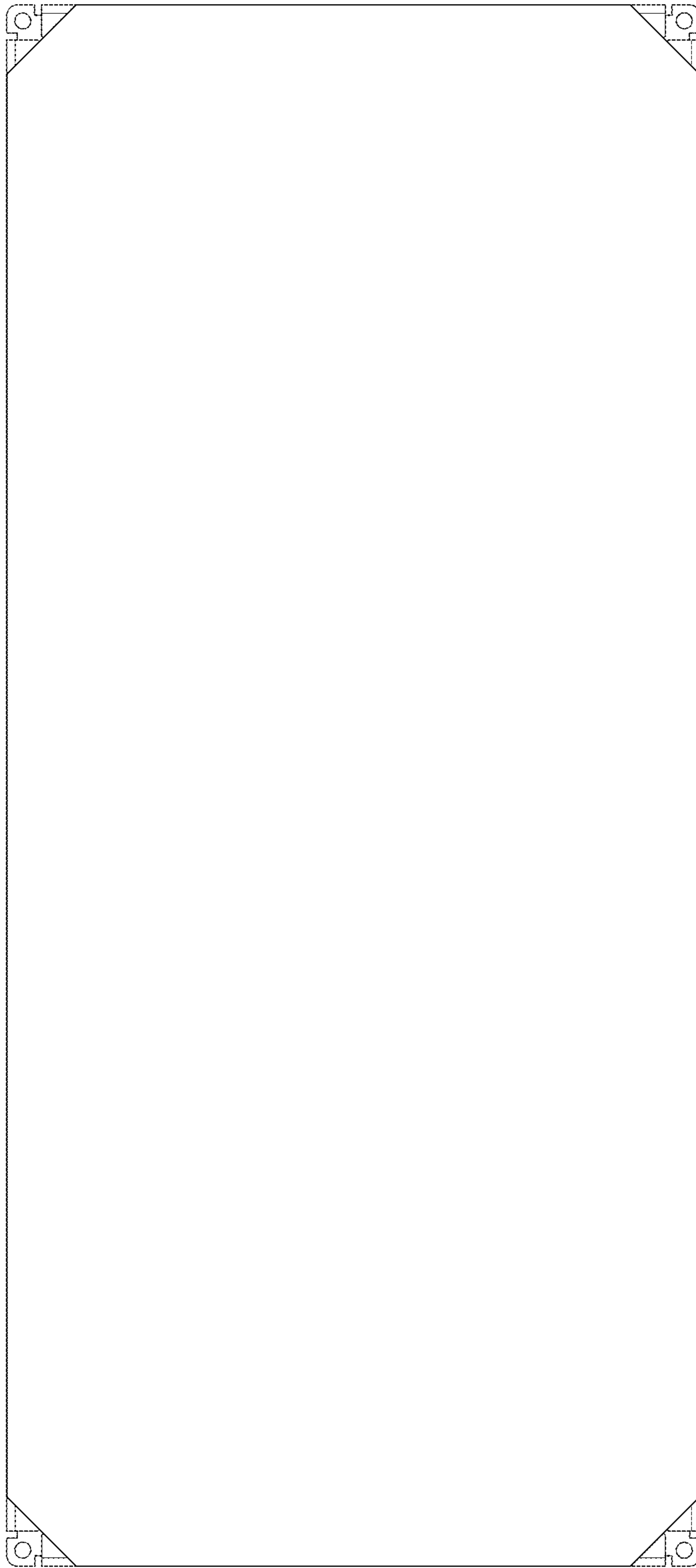


FIG. 2

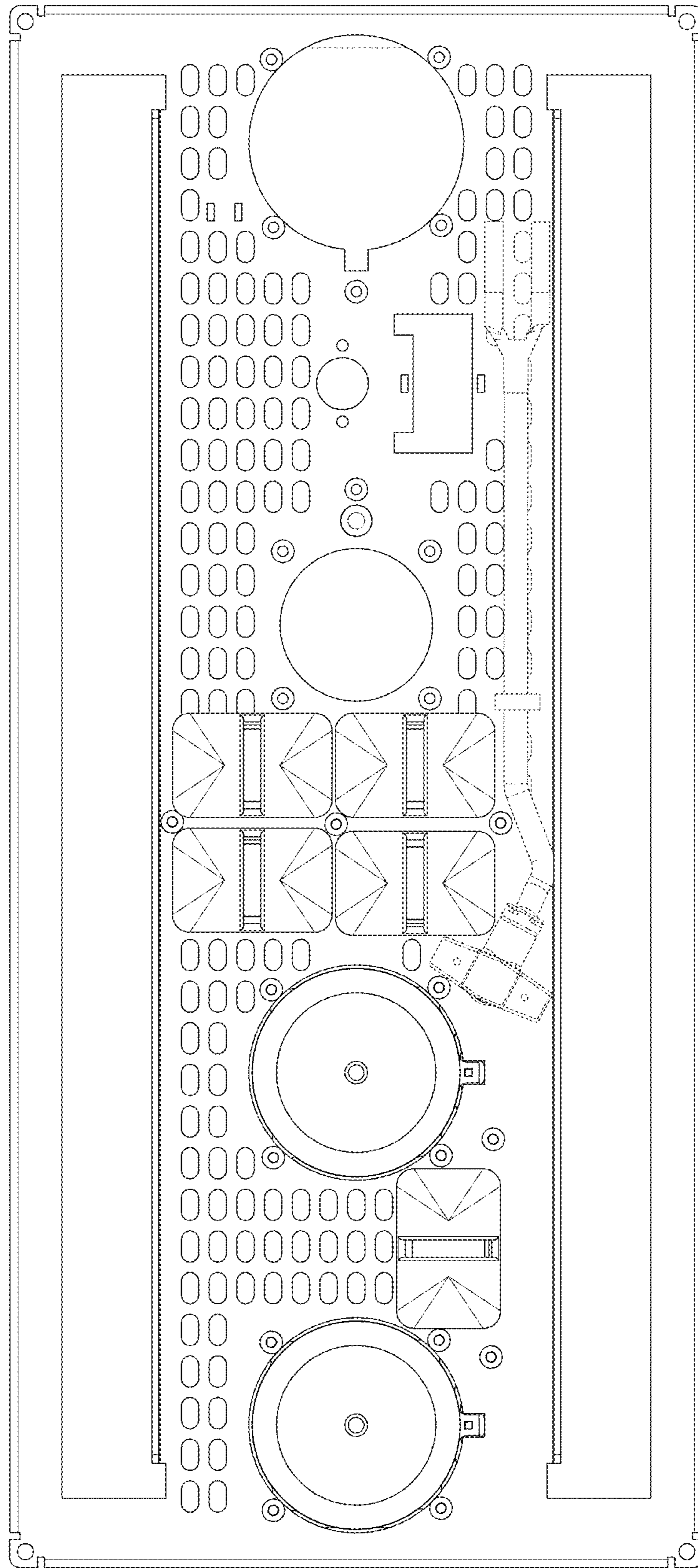


FIG. 3

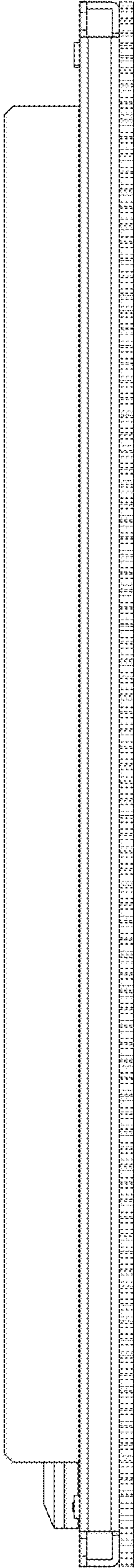


FIG. 4

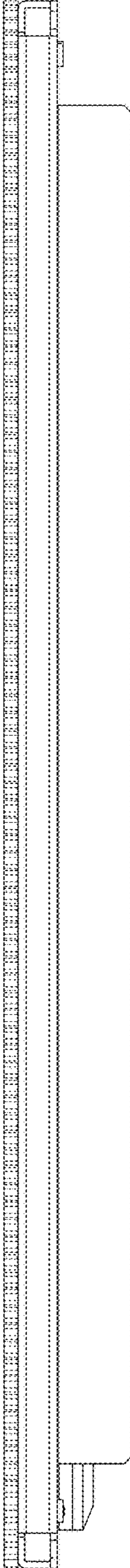


FIG. 5

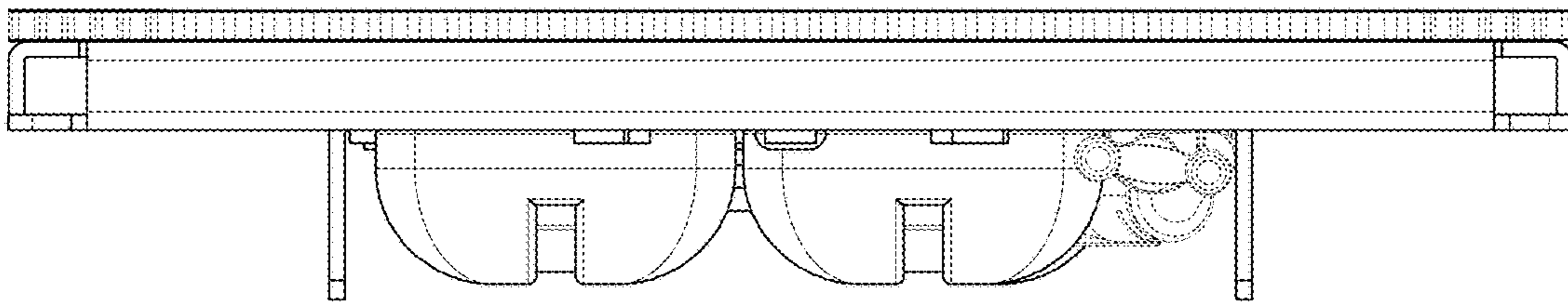


FIG. 6

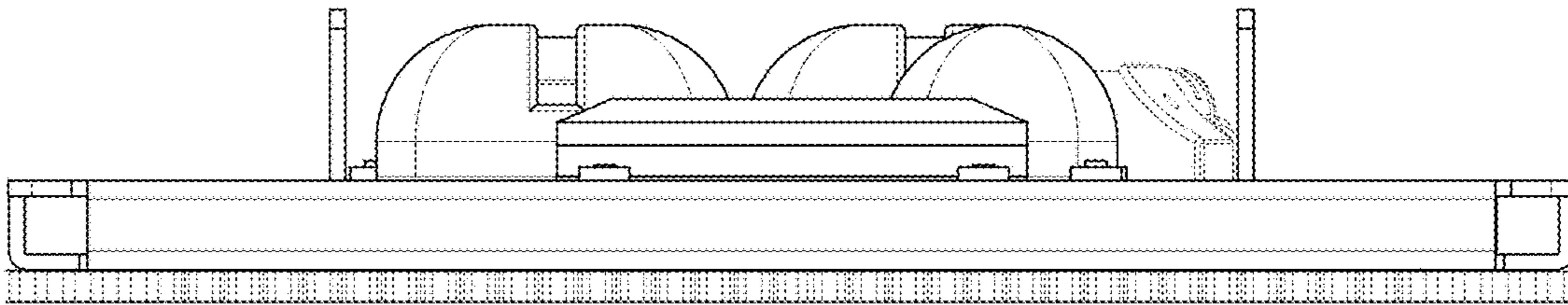


FIG. 7