



US00D800686S

(12) **United States Design Patent**
Hinkel

(10) **Patent No.:** **US D800,686 S**

(45) **Date of Patent:** **** Oct. 24, 2017**

- (54) **INTERCOM SYSTEM**
- (71) Applicant: **MOBOTIX AG**, Winnweiler (DE)
- (72) Inventor: **Ralf Hinkel**, Horingen (DE)
- (73) Assignee: **MOBOTIX AG**, Winnweiler (DE)

(**) Term: **14 Years**

(21) Appl. No.: **29/496,715**

(22) Filed: **Jul. 16, 2014**

Related U.S. Application Data

- (62) Division of application No. 29/396,278, filed on Jun. 28, 2011, now Pat. No. Des. 728,509.

Foreign Application Priority Data

Dec. 28, 2010 (DE) 40 2010 006 902
 Mar. 30, 2011 (DE) 40 2011 001 804

(51) **LOC (10) Cl.** **14-03**

(52) **U.S. Cl.**
USPC **D14/159**

(58) **Field of Classification Search**
 USPC D14/167, 154, 168, 188, 496, 156, 160,
 D14/161, 162, 163, 164, 165, 158, 253,
 D14/192, 159, 155, 138 AB, 137, 104.1;
 455/351, 350, 353; D10/104, 106, 65,
 D10/78; 340/573.4, 573.1
 CPC G08B 13/1672; G08B 13/19645; G08B
 25/006; H04M 11/04
 See application file for complete search history.

(56) **References Cited**

U.S. PATENT DOCUMENTS

D289,759 S 5/1987 Koob
 D310,210 S * 8/1990 Ishida D14/340

D313,594 S 1/1991 Morooka
 D313,595 S 1/1991 Morooka
 D321,686 S 11/1991 Plozner
 D399,495 S * 10/1998 Bachschmid D13/177
 D466,882 S 12/2002 Matsui et al.
 D480,702 S 10/2003 Yoshida et al.
 D491,551 S 6/2004 Matsui et al.
 D505,127 S 5/2005 Yoshida et al.
 D513,744 S 1/2006 Senda et al.
 D519,100 S 4/2006 Shioya et al.
 D531,160 S * 10/2006 Yukikado D14/159
 D561,734 S * 2/2008 Yamada D14/159
 D562,306 S * 2/2008 Jeong D14/159
 D569,819 S 5/2008 Rinaldi et al.
 D618,659 S 6/2010 Su
 D620,917 S * 8/2010 Hattori D14/159
 D660,819 S 5/2012 Chen et al.
 D735,160 S * 7/2015 Hinkel D14/159
 D744,452 S * 12/2015 Takahata D14/159

(Continued)

Primary Examiner — Austin Murphy
 (74) *Attorney, Agent, or Firm* — Oblon, McClelland,
 Maier & Neustadt, L.L.P.

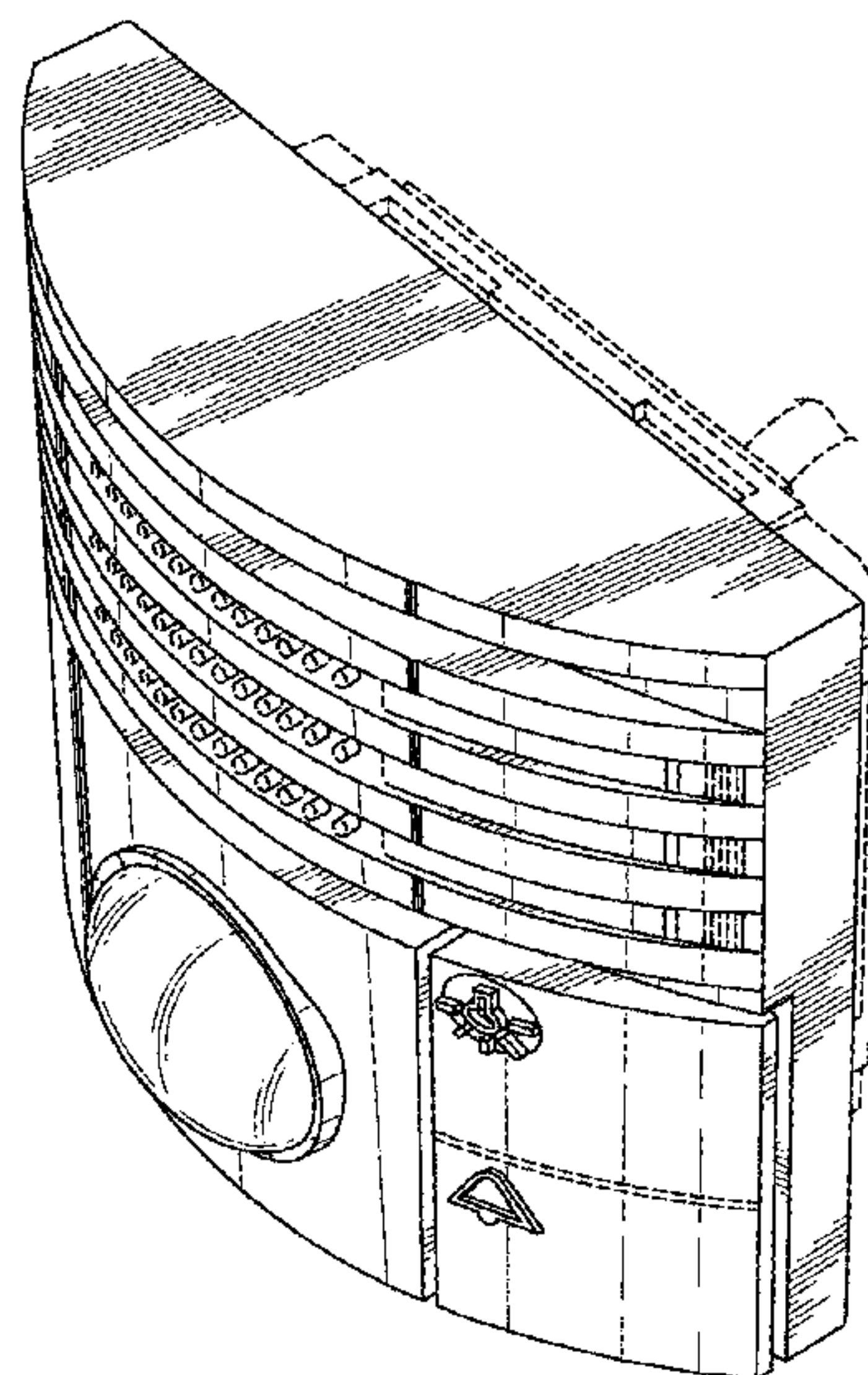
(57) **CLAIM**

The ornamental design for an intercom system, as shown and described.

DESCRIPTION

FIG. 1 is a right side elevational view of an intercom system according to an embodiment of the invention;
 FIG. 2 is a left side elevational view thereof;
 FIG. 3 is a rear elevational view thereof,
 FIG. 4 is a front elevational view thereof;
 FIG. 5 is a front, top, right side perspective view thereof, and
 FIG. 6 is a rear, top, right side perspective view thereof.
 Any dashed lines in the drawings depict environment and/or disclaimed subject matter and form no part of the claimed design.

1 Claim, 6 Drawing Sheets



(56)

References Cited

U.S. PATENT DOCUMENTS

2003/0013503	A1 *	1/2003	Menard	H04M 1/0291 455/569.2
2004/0091092	A1 *	5/2004	Unger	H04M 1/0291 379/167.14

* cited by examiner

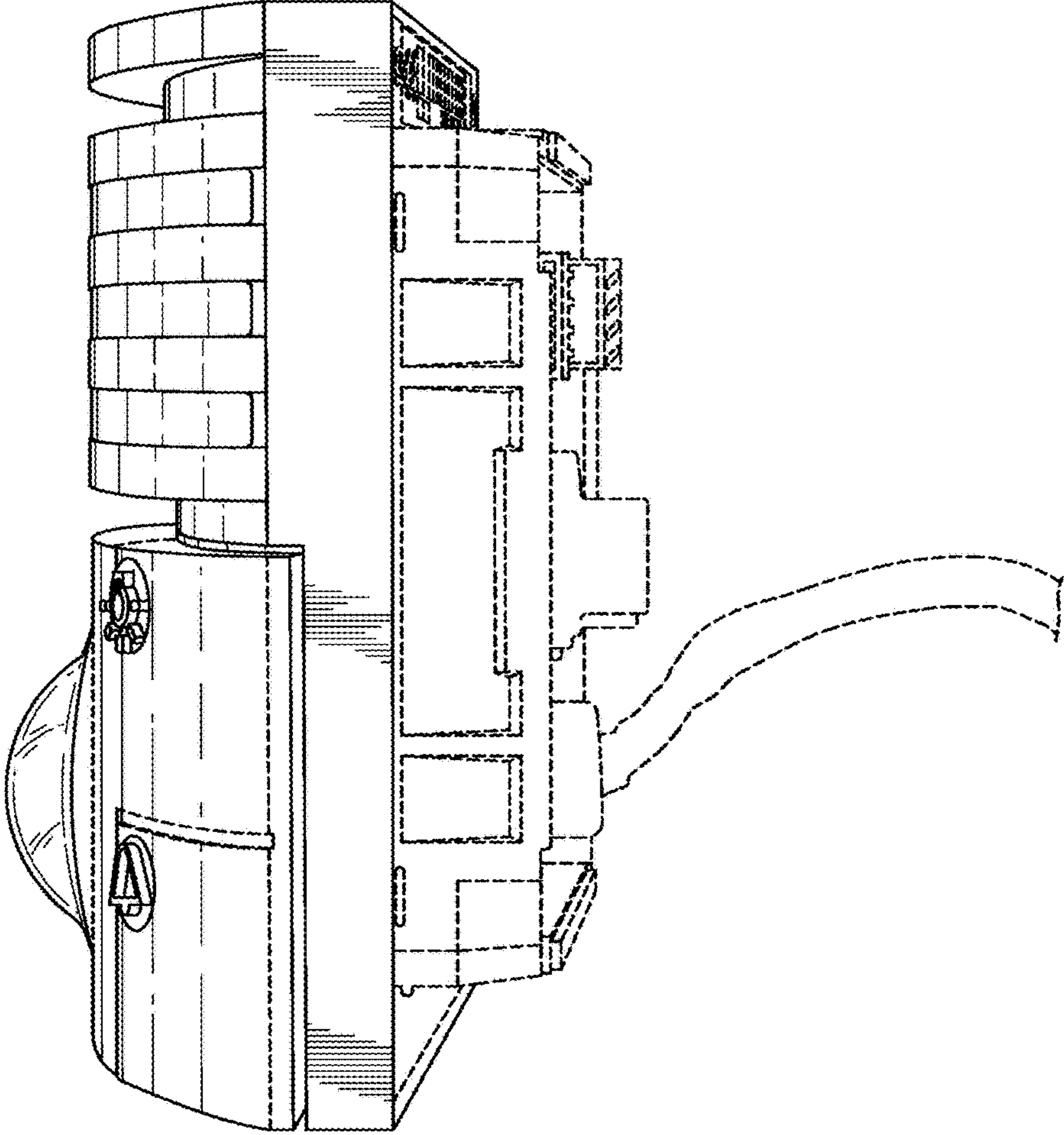


FIG. 1

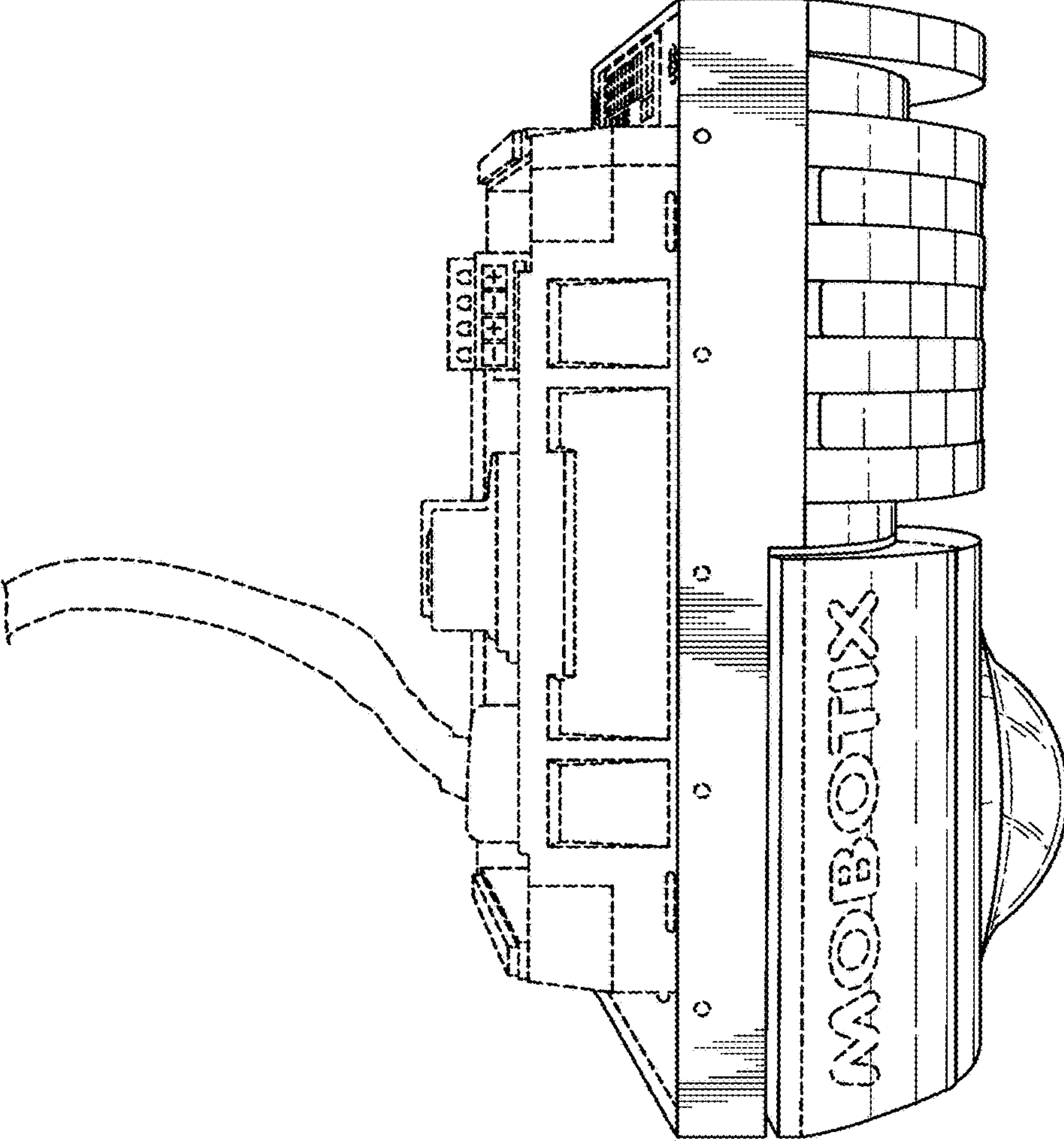


FIG. 2

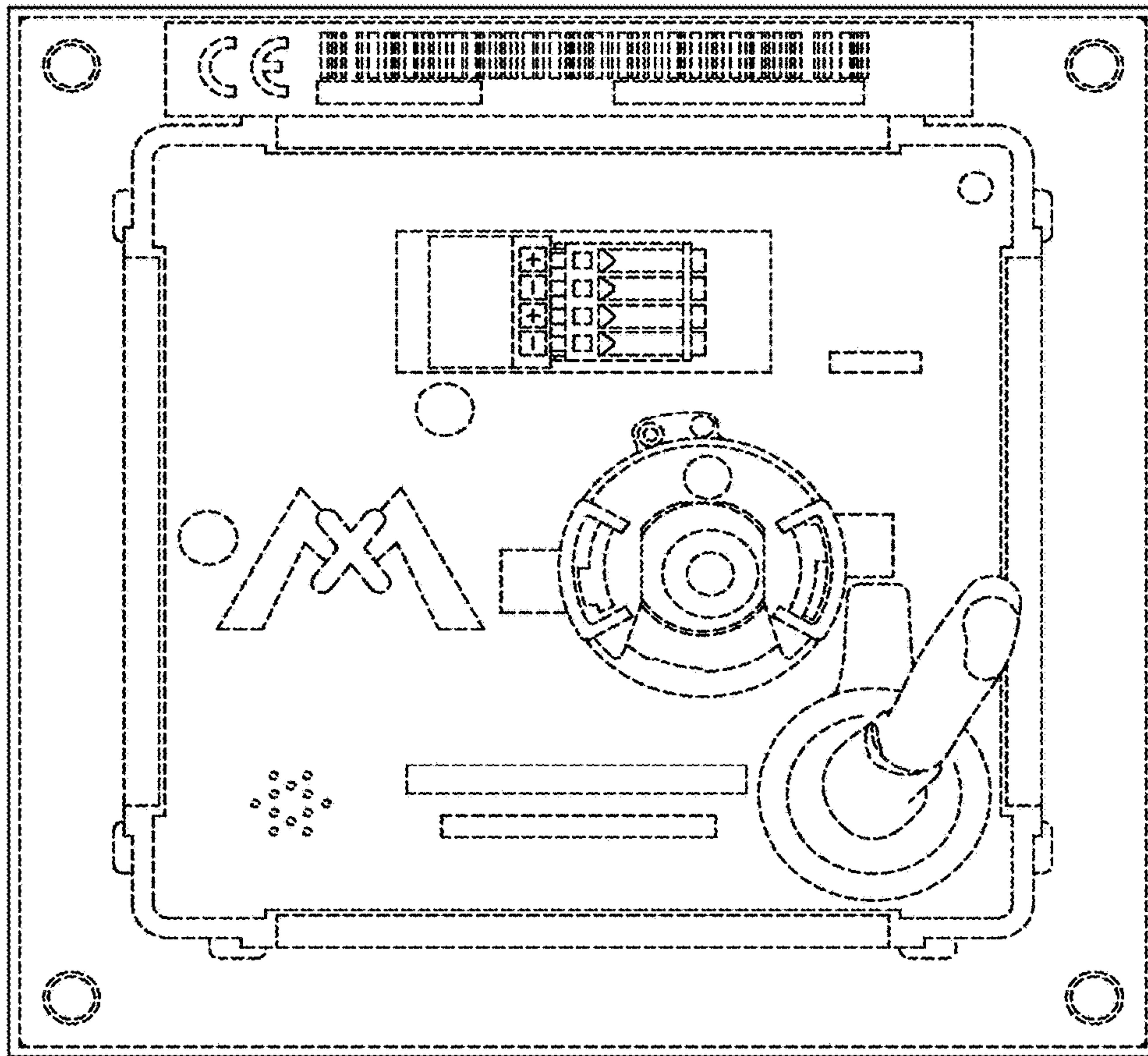


FIG. 3

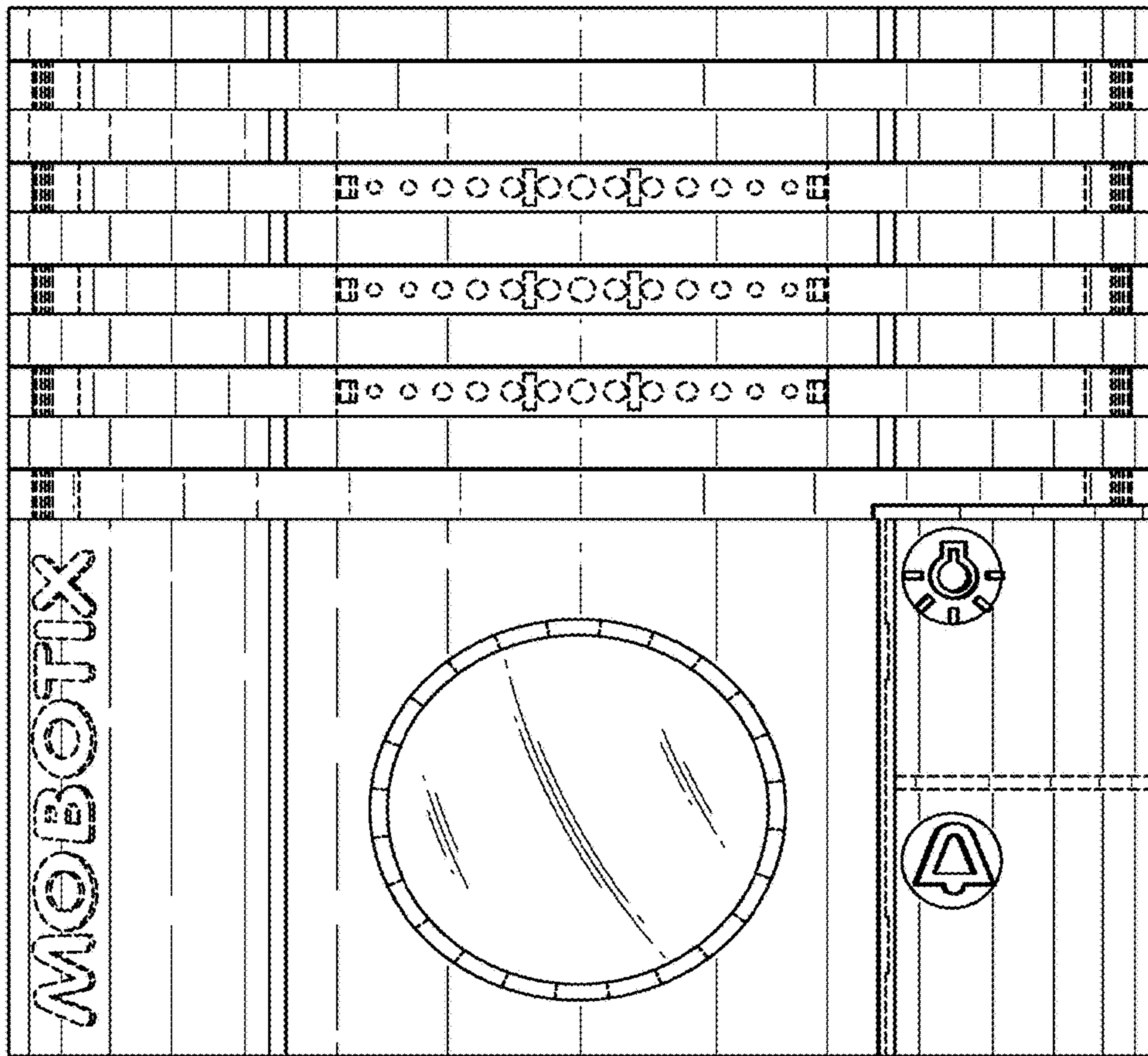


FIG. 4

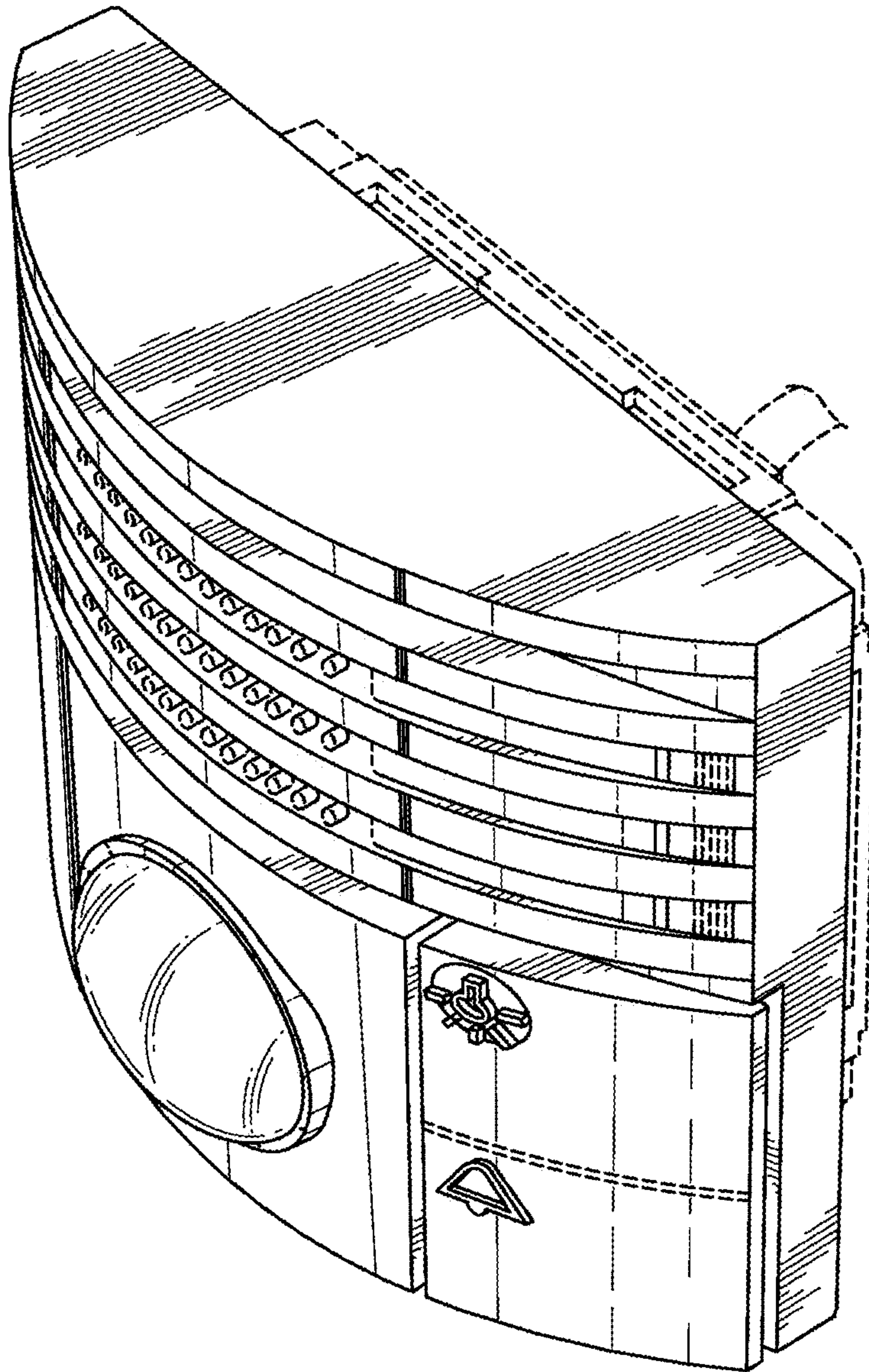


FIG. 5

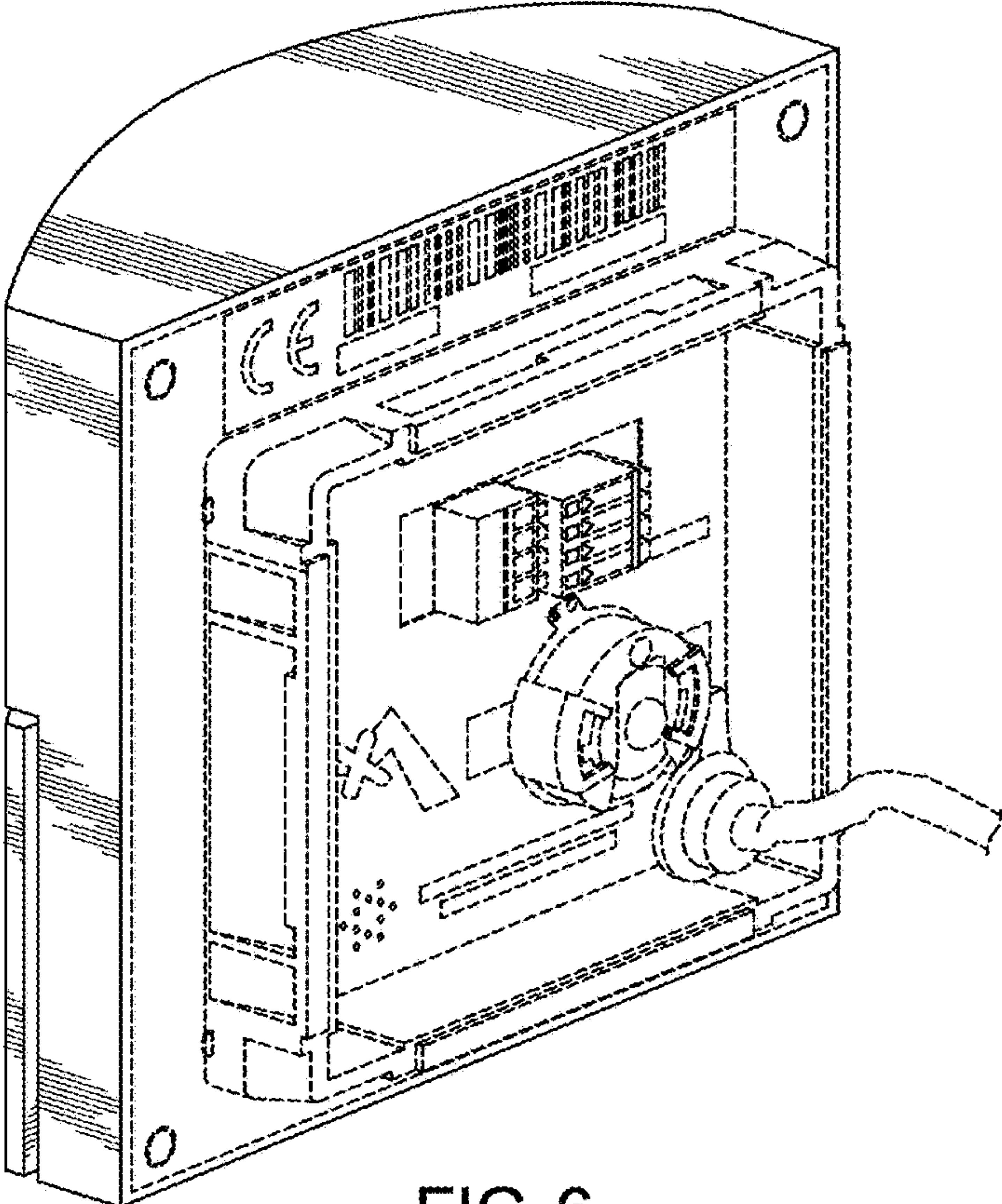


FIG. 6