



US00D800685S

(12) **United States Design Patent** (10) **Patent No.:** **US D800,685 S**
Xiao (45) **Date of Patent:** **** Oct. 24, 2017**

(54) **BLUETOOTH FM TRANSMITTER**

(71) Applicant: **TOSHOLINK Co., Ltd**, Tokyo (JP)

(72) Inventor: **Yu Xiao**, Beijing (CN)

(73) Assignee: **TOSHOLINK CO., LTD**, Tokyo (JP)

(**) Term: **15 Years**

(21) Appl. No.: **29/587,689**

(22) Filed: **Dec. 15, 2016**

(51) **LOC (10) Cl.** **14-03**

(52) **U.S. Cl.**
USPC **D14/155**

(58) **Field of Classification Search**
USPC D14/167, 154, 168, 188, 496, 156, 160,
D14/161, 162, 163, 164, 165, 158, 341,
D14/346, 342, 345, 137, 155, 218, 225;
D16/208; D26/38; 455/351, 350;
D10/104.1, 106, 65
CPC H04B 1/385; H04M 1/6091; H04M 1/6066
See application file for complete search history.

(56) **References Cited**

U.S. PATENT DOCUMENTS

D522,487 S *	6/2006	Lee	D14/155
D523,413 S *	6/2006	Dayan	D14/155
D524,285 S *	7/2006	Dayan	D14/155
D538,775 S *	3/2007	Dayan	D14/155
D541,254 S *	4/2007	Dayan	D14/155
D548,719 S *	8/2007	Dayan	D14/155

D550,197 S *	9/2007	Dayan	D14/155
D551,166 S *	9/2007	Dayan	D13/110
D559,227 S *	1/2008	Kim	D14/155
D652,385 S *	1/2012	Cheng	D13/144
D694,221 S *	11/2013	Shears	D14/225
D728,508 S *	5/2015	Breines	D14/155
D743,926 S *	11/2015	Liao	D14/155
D795,832 *	8/2017	Du	D14/155
2005/0123147 A1 *	6/2005	Everett	H04B 1/02 381/79

* cited by examiner

Primary Examiner — Austin Murphy

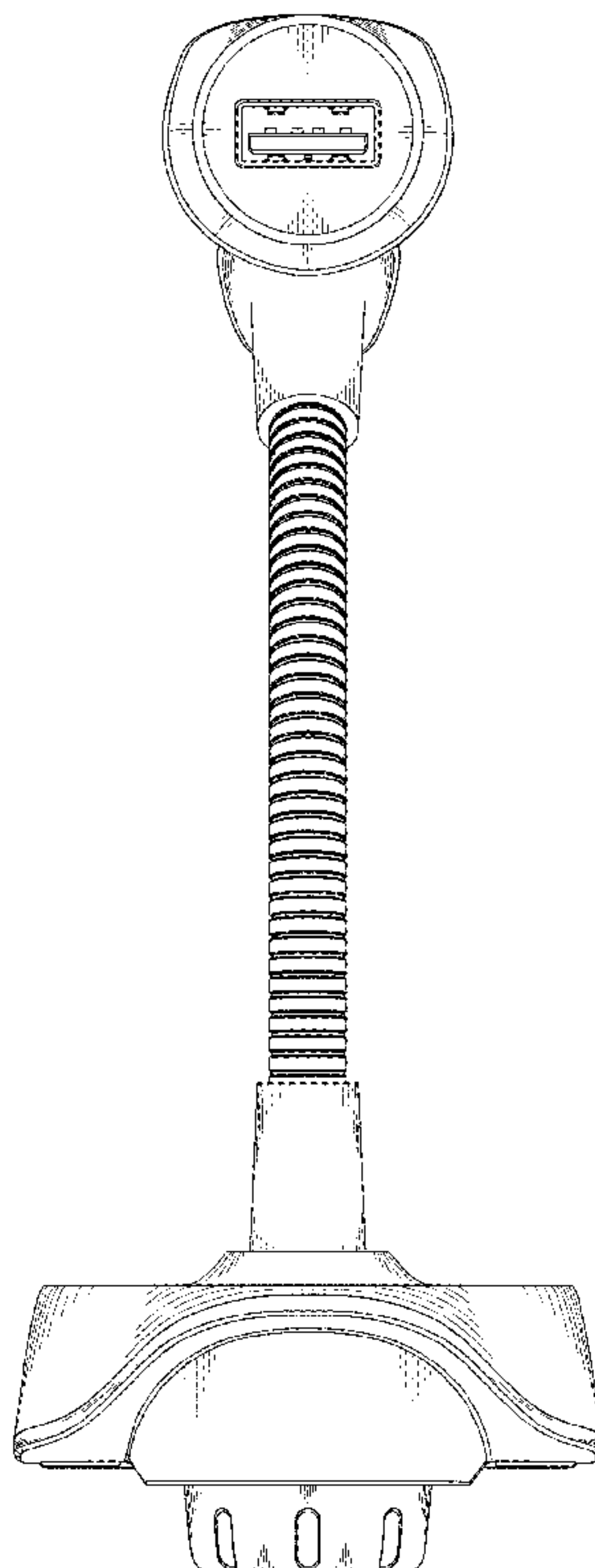
(57) **CLAIM**

The ornamental design for a bluetooth FM transmitter, as shown.

DESCRIPTION

FIG. 1 is a front elevational view of a bluetooth FM transmitter showing my new design; FIG. 2 is a rear elevational view thereof; FIG. 3 is a left side elevational view thereof; FIG. 4 is a right side elevational view thereof; FIG. 5 is a top plan view thereof; FIG. 6 is a bottom plan view thereof; and, FIG. 7 is a front perspective view thereof. The claimed bluetooth FM transmitter is used to transmit audio from a bluetooth enabled device to FM radio.

1 Claim, 7 Drawing Sheets



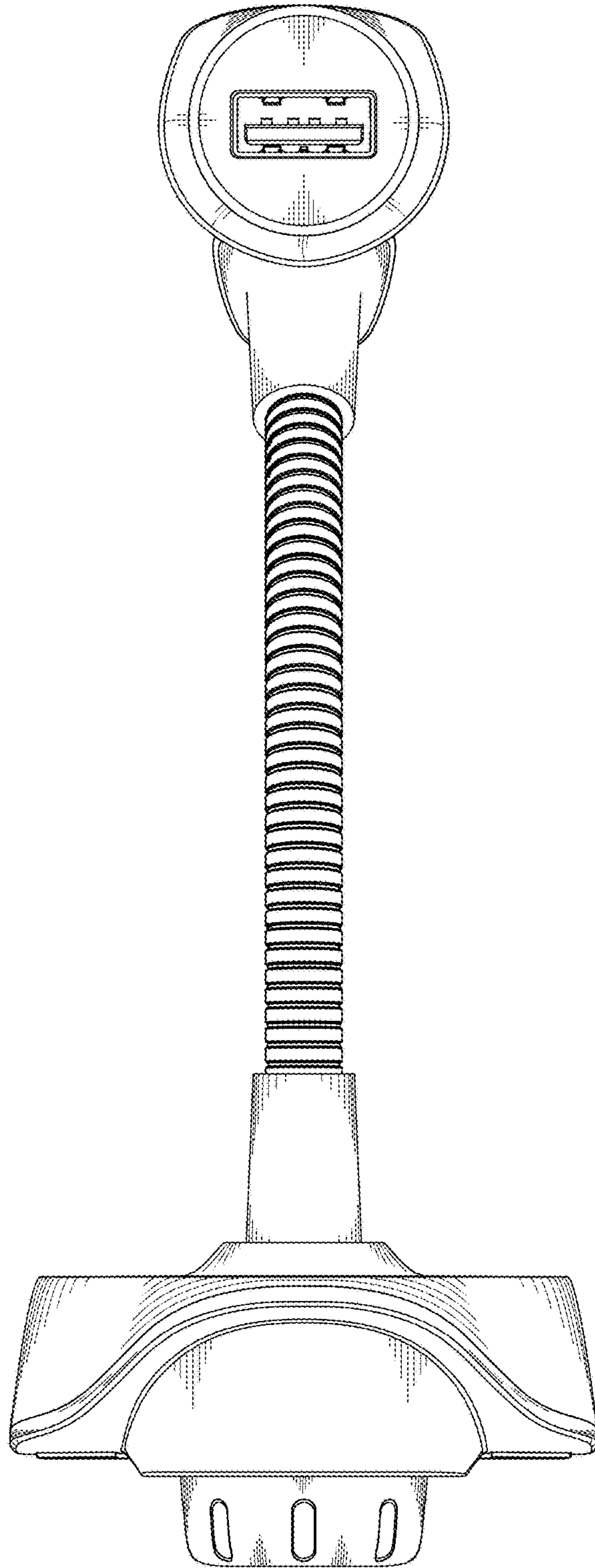


FIG.1

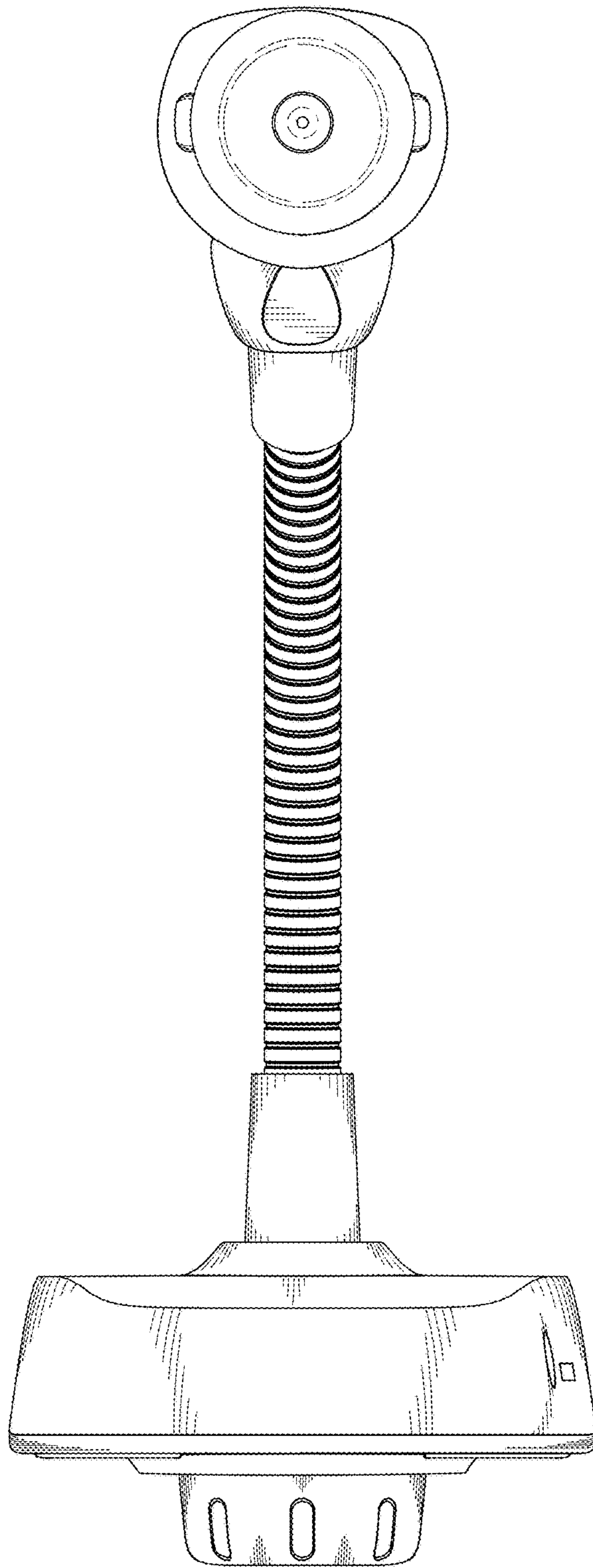


FIG.2

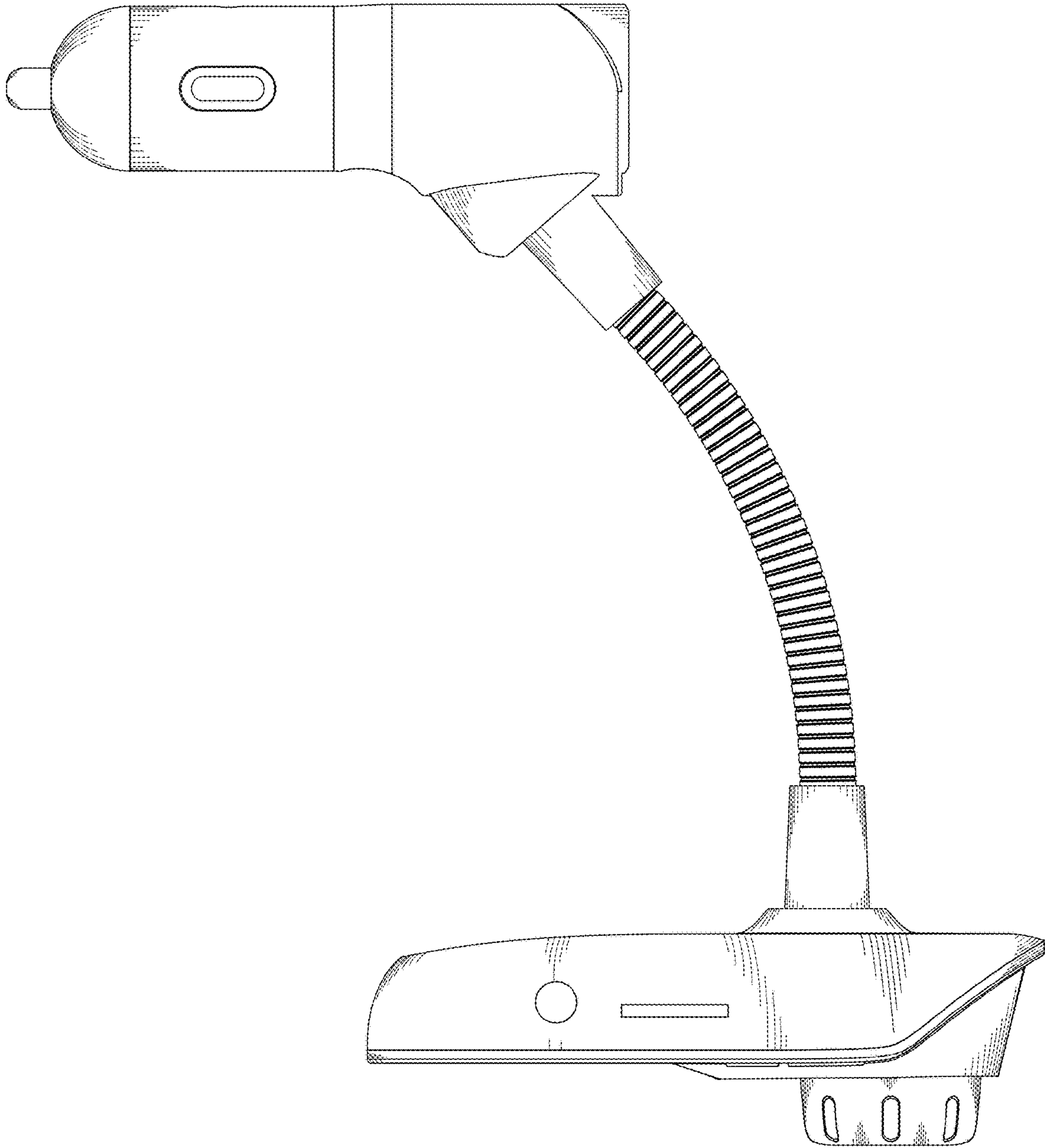


FIG.3

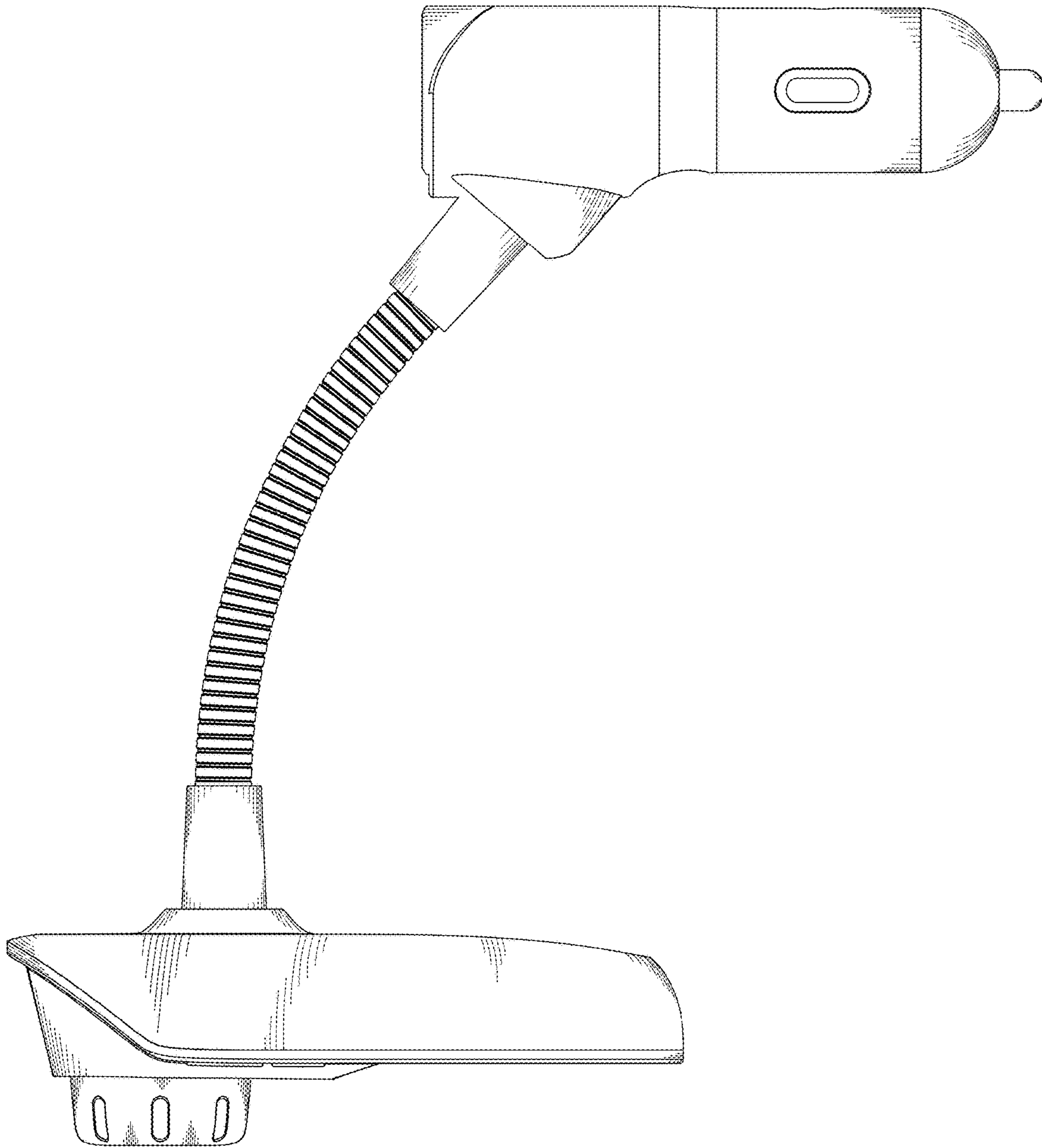


FIG.4

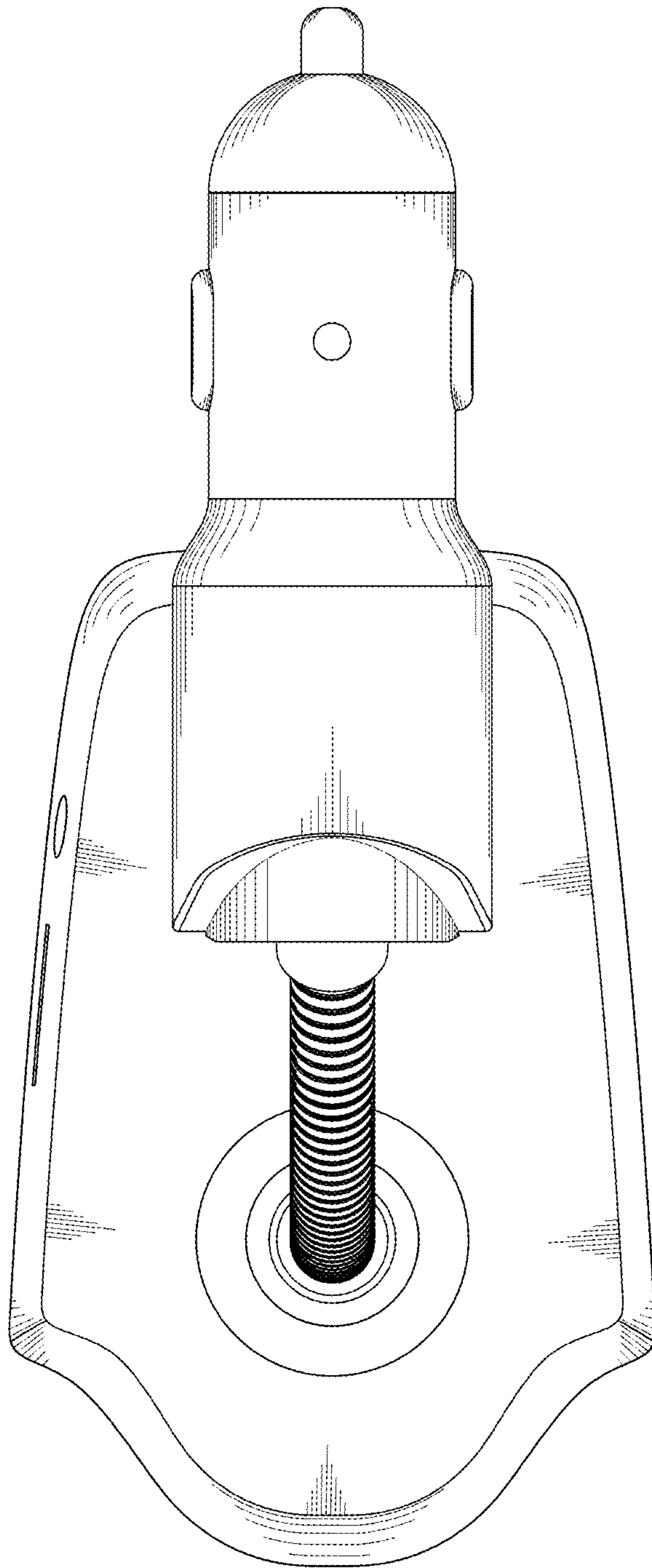


FIG. 5

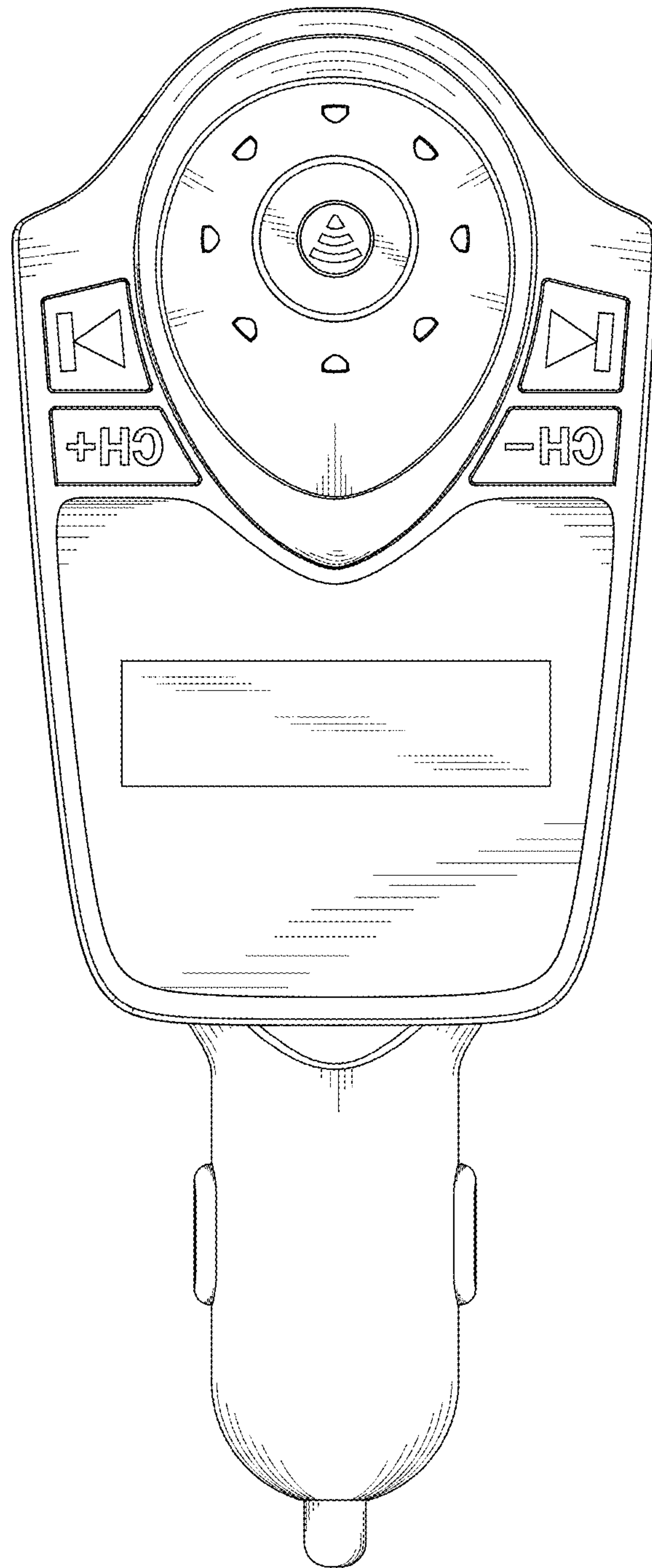


FIG.6

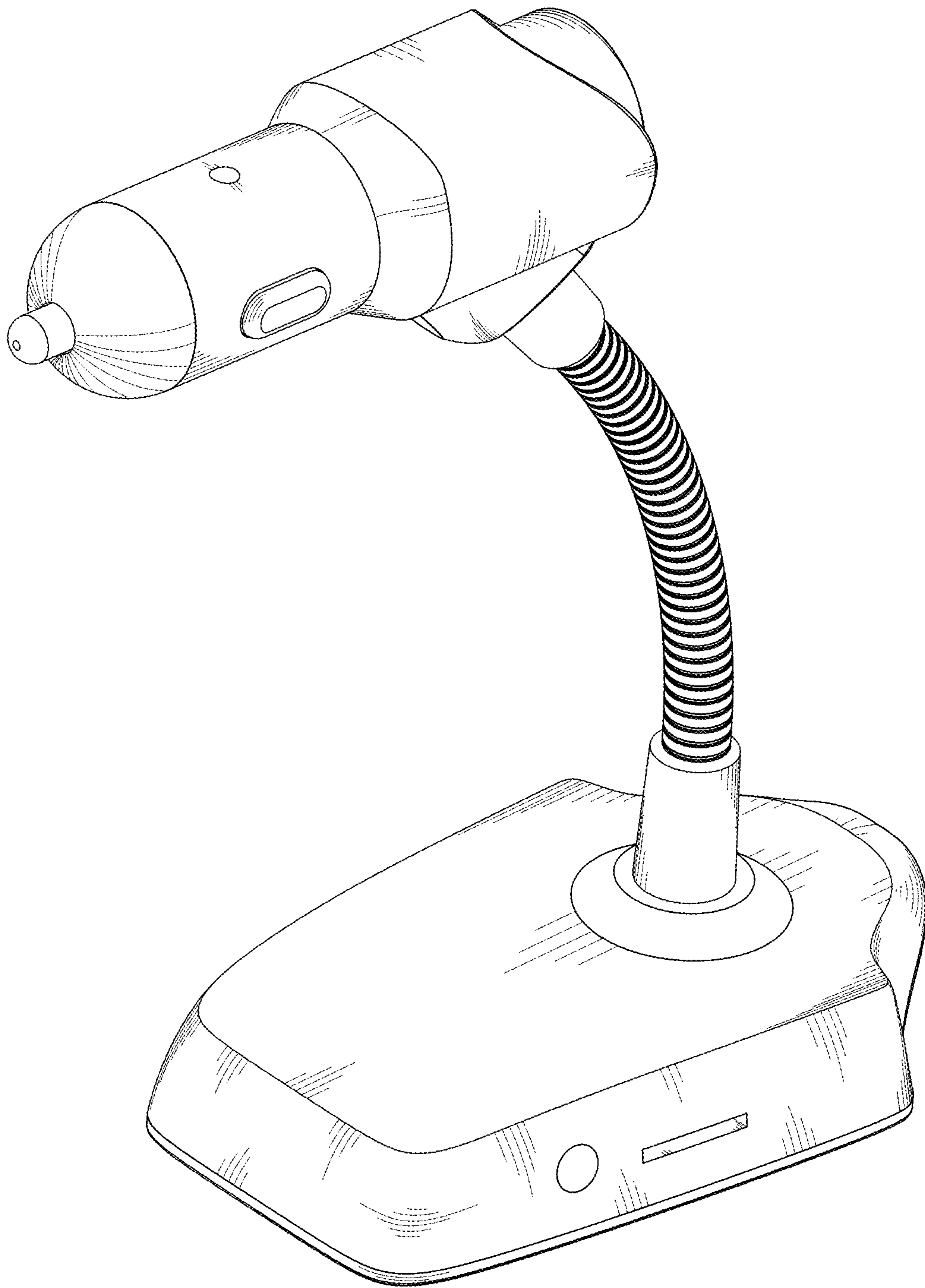


FIG.7