



US00D800684S

(12) **United States Design Patent**  
**Xiao**

(10) **Patent No.:** **US D800,684 S**

(45) **Date of Patent:** **\*\* Oct. 24, 2017**

(54) **BLUETOOTH FM TRANSMITTER**

(71) Applicant: **TOSHOLINK Co., Ltd**, Tokyo (JP)

(72) Inventor: **Yu Xiao**, Beijing (CN)

(73) Assignee: **TOSHOLINK CO., LTD.**, Tokyo (JP)

(\*\*) Term: **15 Years**

(21) Appl. No.: **29/587,686**

(22) Filed: **Dec. 14, 2016**

(51) **LOC (10) Cl.** ..... **14-03**

(52) **U.S. Cl.**  
USPC ..... **D14/155**

(58) **Field of Classification Search**  
USPC ..... D14/167, 154, 168, 188, 496, 156, 160,  
D14/161, 162, 163, 164, 165, 158, 341,  
D14/346, 342, 345, 137, 155, 218, 225;  
D16/208; D26/38; 455/351, 350;  
D10/104.1, 106, 65  
CPC .... H04B 1/385; H04M 1/6091; H04M 1/6066  
See application file for complete search history.

(56) **References Cited**

**U.S. PATENT DOCUMENTS**

D469,761 S \* 2/2003 Nussberger ..... D14/341  
D477,321 S \* 7/2003 Baughman ..... D14/385  
D562,818 S \* 2/2008 Chen ..... D14/385

D563,956 S \* 3/2008 Kato ..... D14/348  
D576,164 S \* 9/2008 Takahashi ..... D14/385  
D577,038 S \* 9/2008 Nakamura ..... D14/385  
D586,813 S \* 2/2009 Colburn ..... D14/385  
D711,875 S \* 8/2014 Daniel ..... D14/385  
D712,902 S \* 9/2014 Daniel ..... D14/385  
D730,355 S \* 5/2015 Daniel ..... D14/307  
D764,468 S \* 8/2016 Yamamiya ..... D14/385  
D771,629 S \* 11/2016 Yang ..... D14/385  
D774,510 S \* 12/2016 Rotsaert ..... D14/385  
D791,223 S \* 7/2017 Blanc ..... D14/385  
D792,405 S \* 7/2017 Bousfield ..... D14/385

\* cited by examiner

*Primary Examiner* — Austin Murphy

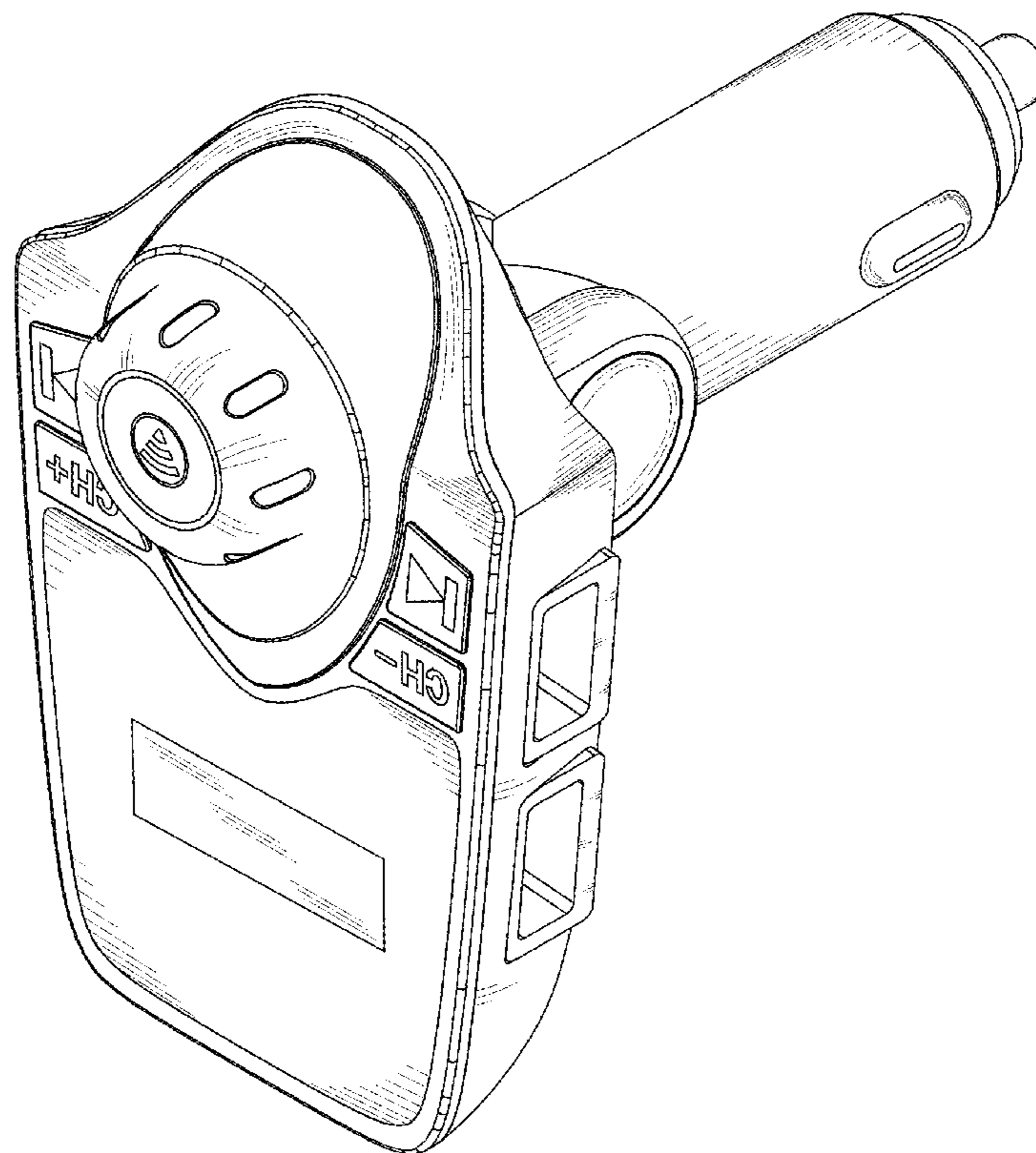
(57) **CLAIM**

The ornamental design for a bluetooth FM transmitter, as shown.

**DESCRIPTION**

FIG. 1 is a front elevational view of a bluetooth FM transmitter showing my new design;  
FIG. 2 is a rear elevational view thereof;  
FIG. 3 is a left side elevational view thereof;  
FIG. 4 is a right side elevational view thereof;  
FIG. 5 is a top plan view thereof;  
FIG. 6 is a bottom plan view thereof; and,  
FIG. 7 is a front perspective view thereof.  
The claimed bluetooth FM transmitter is used to transmit audio from a bluetooth enabled device to FM radio.

**1 Claim, 7 Drawing Sheets**



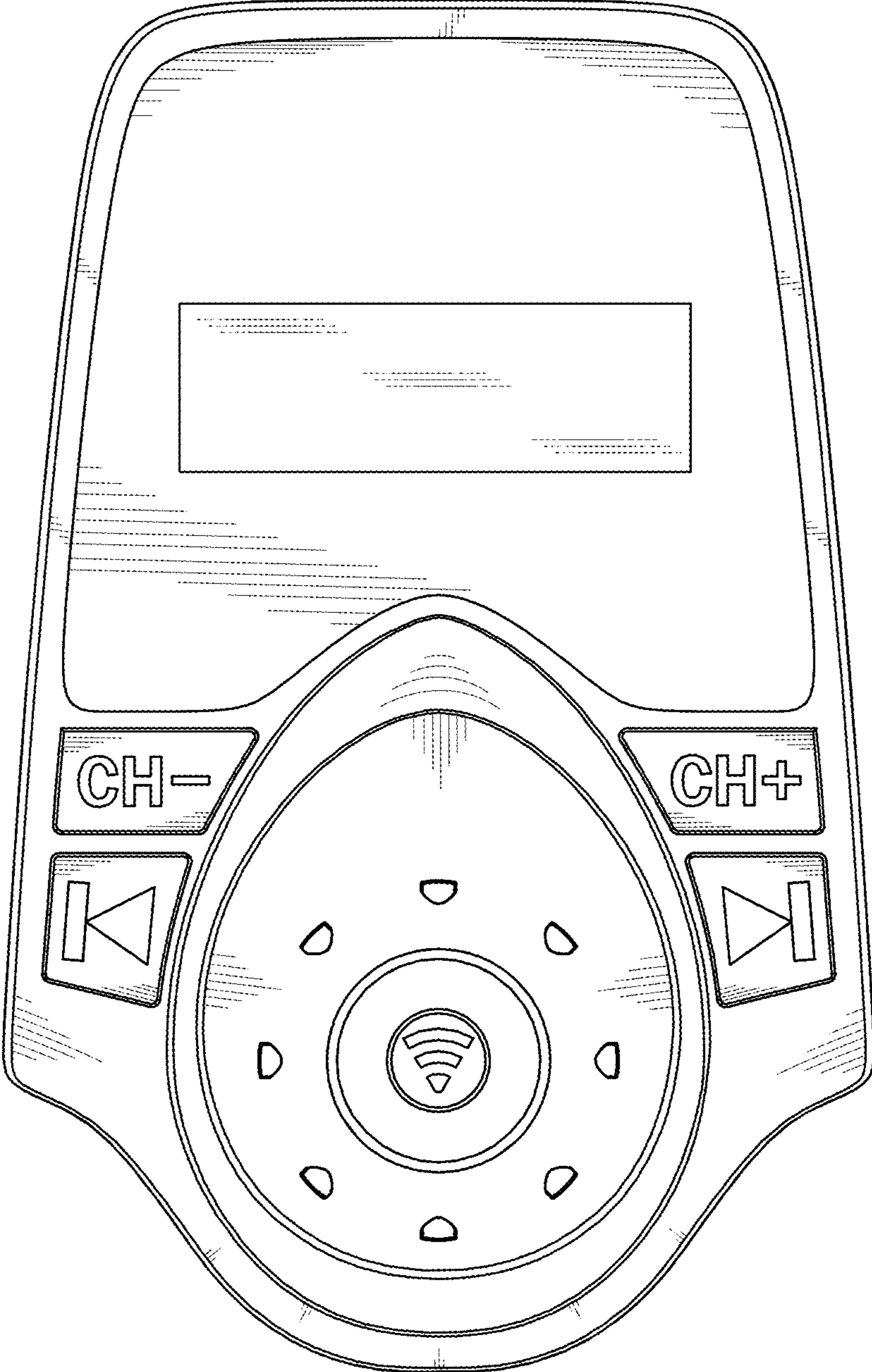


FIG.1

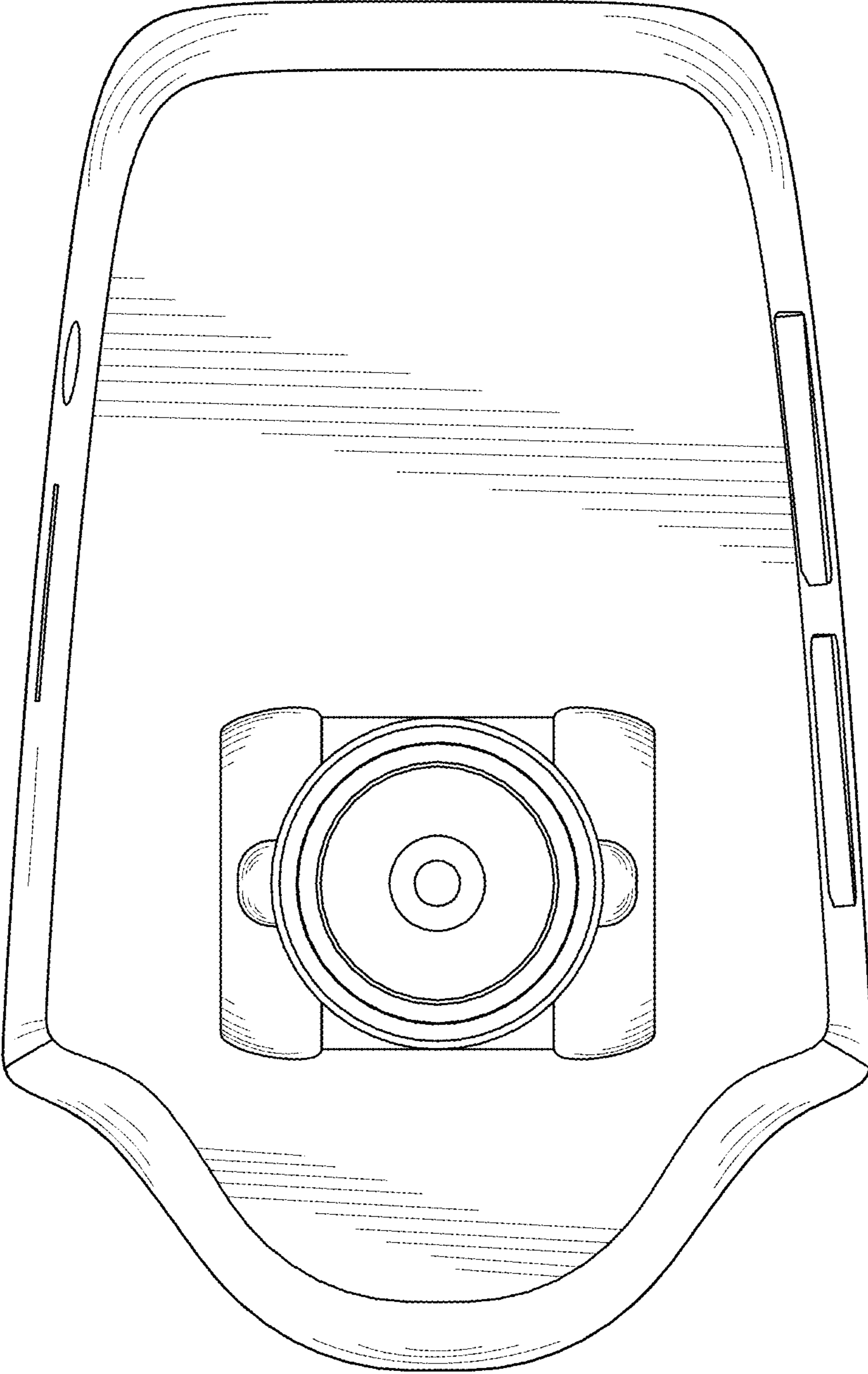


FIG.2

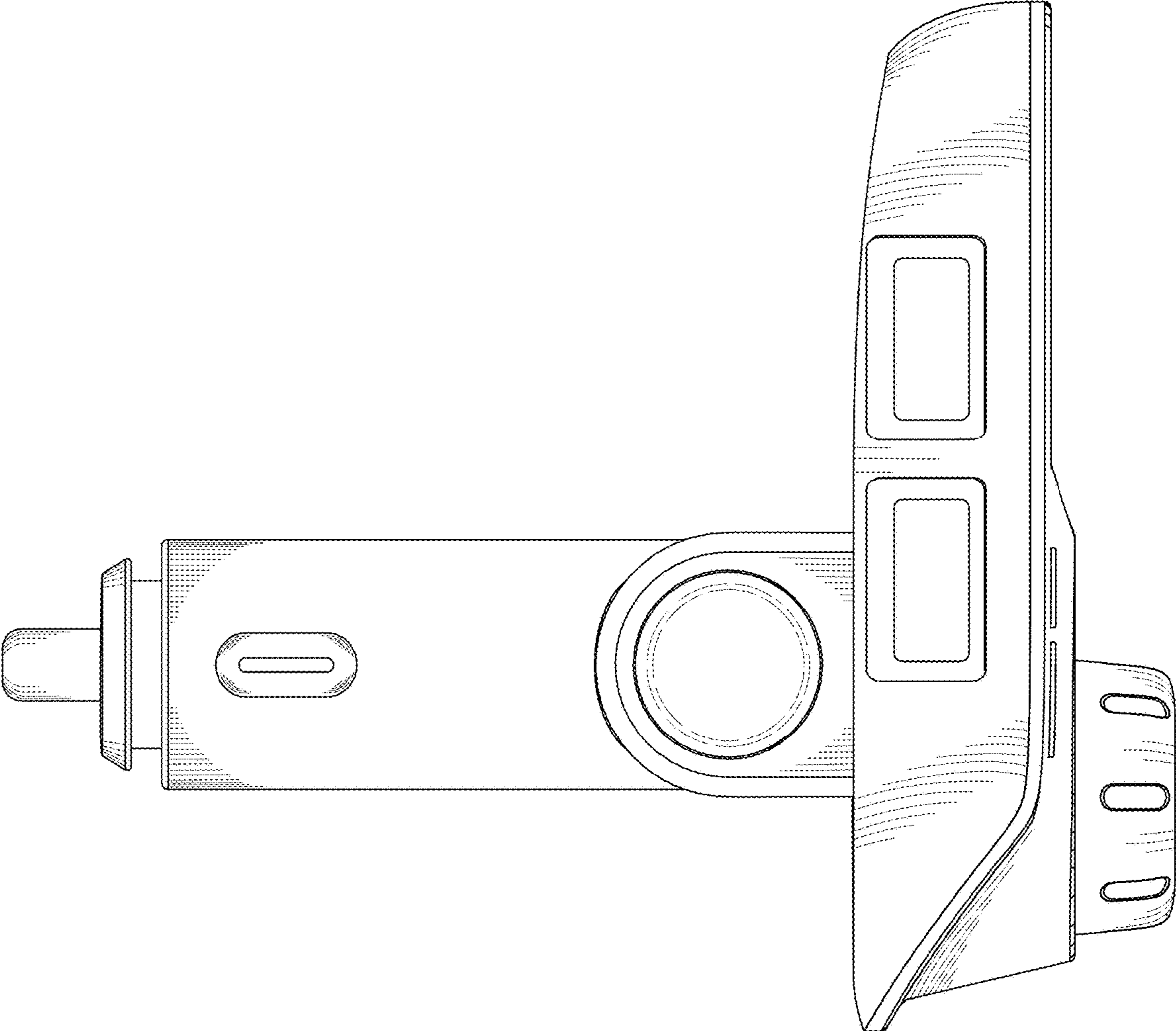


FIG.3

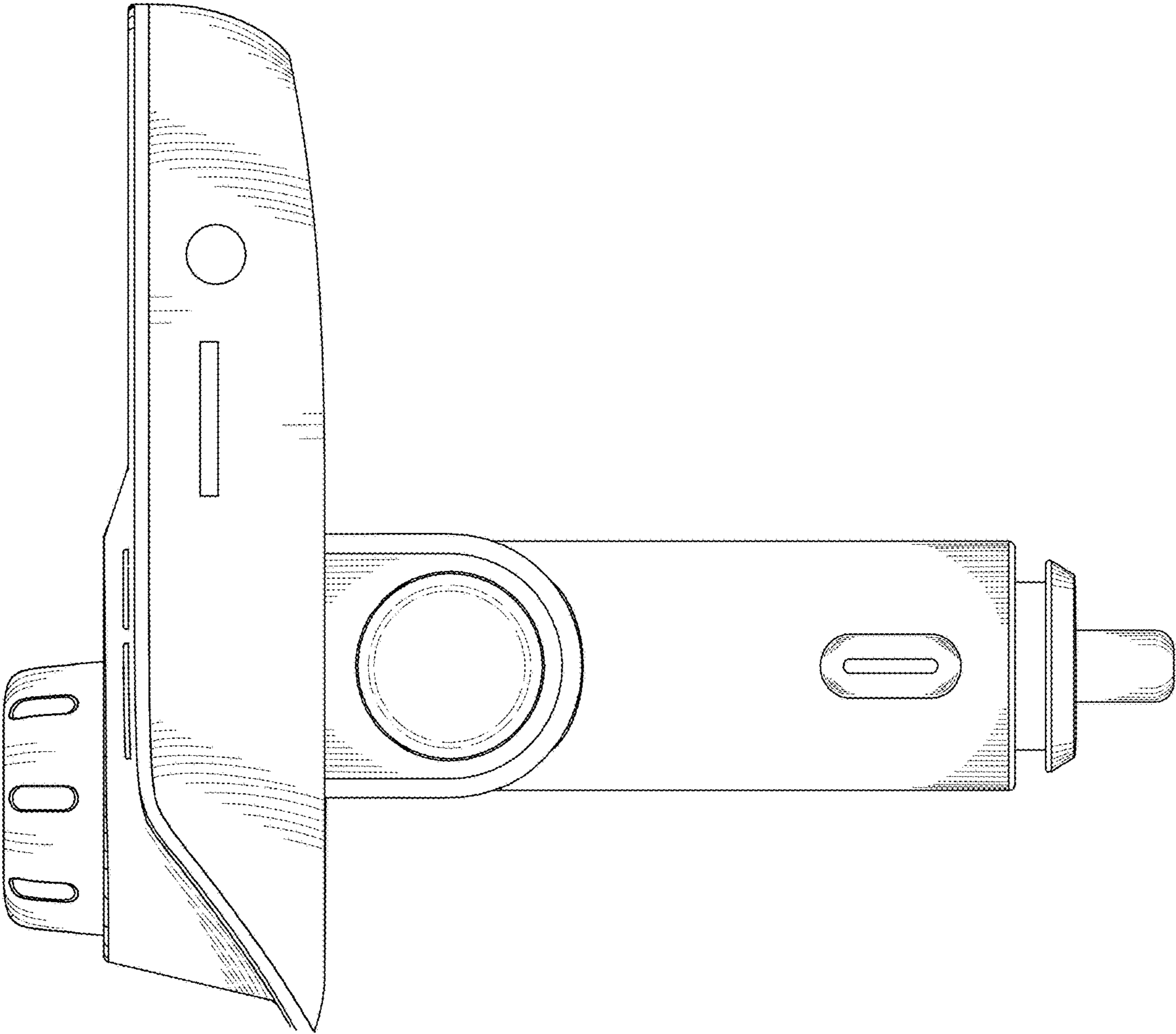


FIG.4

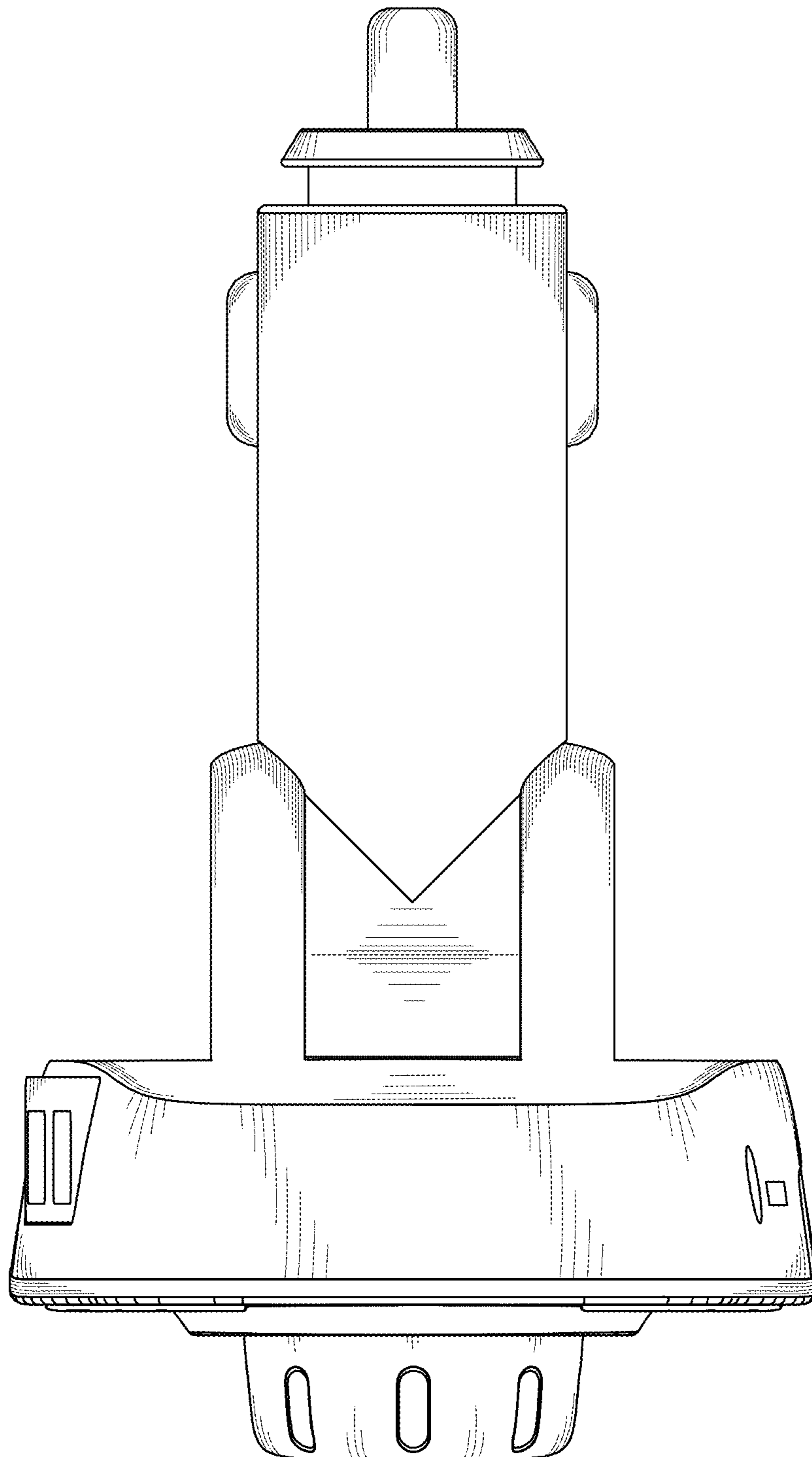


FIG.5

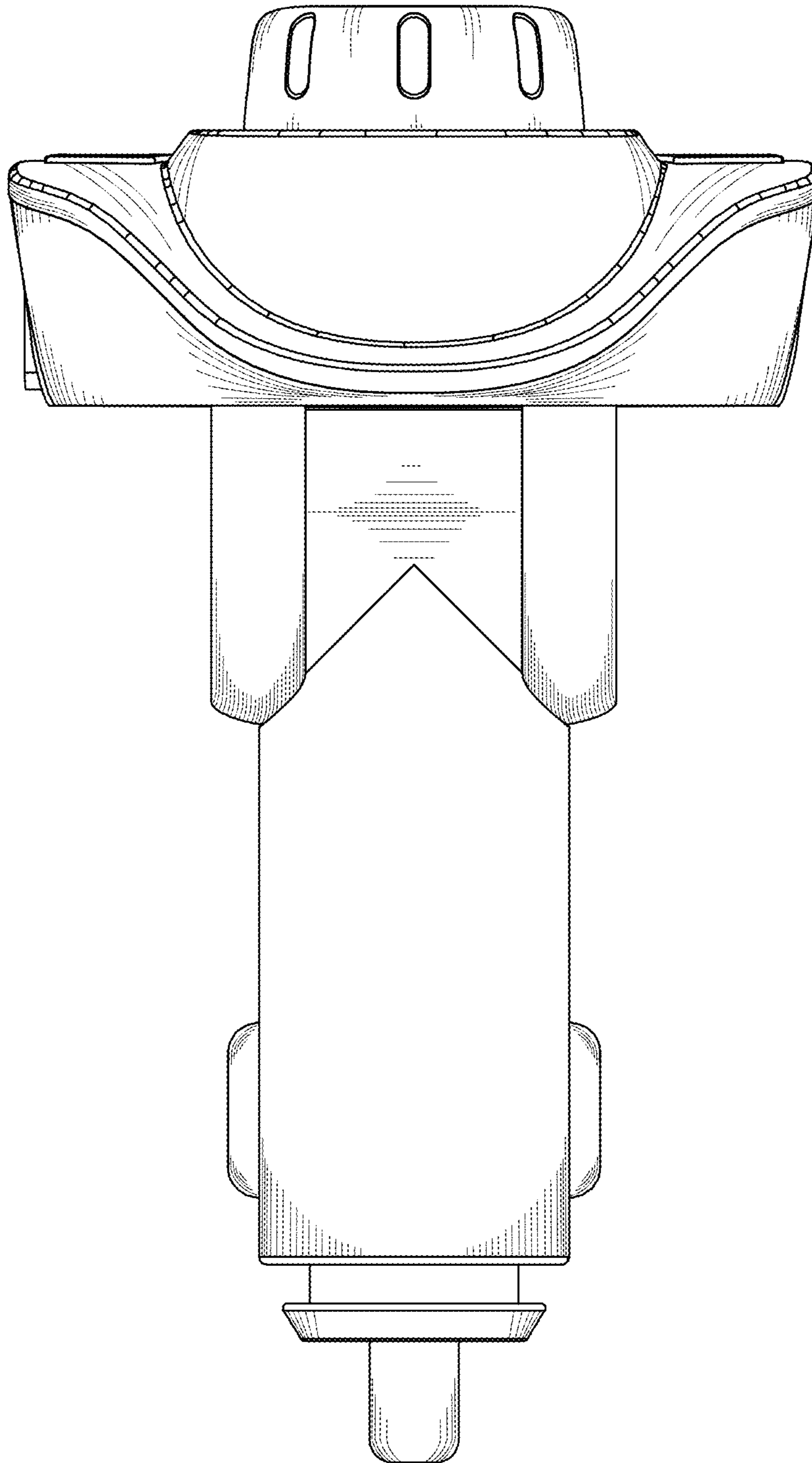


FIG.6

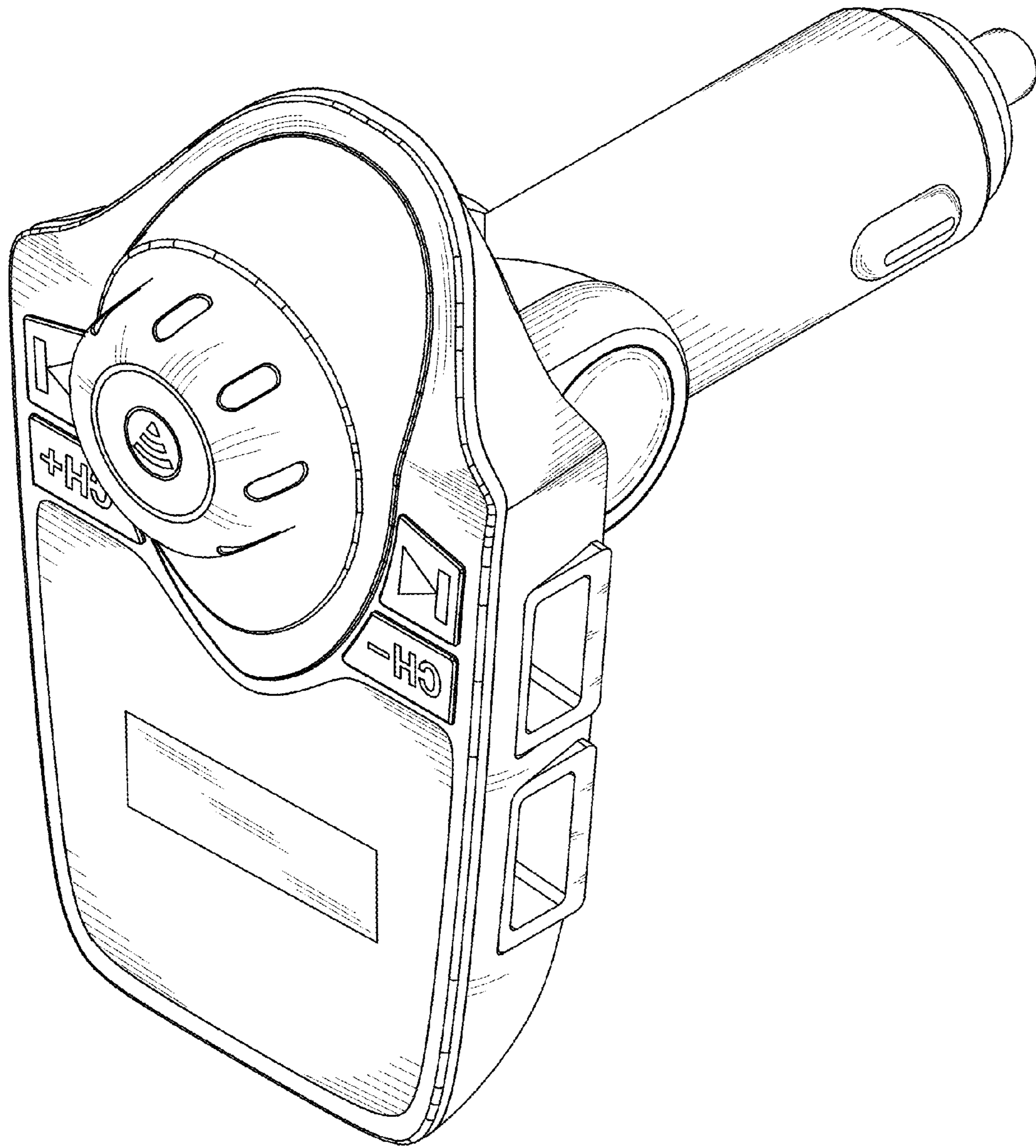


FIG.7