

US00D800680S

(12) **United States Design Patent**
Choi et al.

(10) **Patent No.:** **US D800,680 S**
(45) **Date of Patent:** **** Oct. 24, 2017**

(54) **TELEVISION RECEIVER**

FOREIGN PATENT DOCUMENTS

(71) Applicant: **SAMSUNG ELECTRONICS CO., LTD.**, Suwon-si (KR)
(72) Inventors: **Su-An Choi**, Seoul (KR); **Han-Sol Kwon**, Gwangmyeong (KR)
(73) Assignee: **Samsung Electronics Co., Ltd.**, Suwon-si (KR)

CN 200930222316.5 6/2009
CN 201330277040.7 11/2013
CN 201430227180.8 12/2014
KR 30-2013-0027725 3/2014

* cited by examiner

Primary Examiner — Randall Gholson
(74) *Attorney, Agent, or Firm* — NSIP Law

(**) Term: **15 Years**

(21) Appl. No.: **29/570,781**

(22) Filed: **Jul. 12, 2016**

(30) **Foreign Application Priority Data**

Mar. 14, 2016 (KR) 30-2016-0011693

(51) **LOC (10) Cl.** **14-03**

(52) **U.S. Cl.**
USPC **D14/126**

(58) **Field of Classification Search**
USPC D14/125–134, 239, 371, 136, 374–377, D14/440, 450, 448, 336, 342, 159; 312/7.2; 348/836, 838, 180, 184, 325, 348/739; 248/917–924, 465; 345/104, 345/133, 156, 168, 87, 173; D21/329, D21/515, 577, 622, 333, 433, 448, 452, D21/450, 331, 505; D10/15, 26; 446/484, 175, 356; D6/477, 479, 300; D24/185; D34/14
CPC ... G06F 1/1601; G06F 1/1643; H05K 5/0004; H05K 5/0017; H05K 5/02; H05K 5/0217
See application file for complete search history.

(56) **References Cited**

U.S. PATENT DOCUMENTS

D699,205 S * 2/2014 Kim D14/126
D737,792 S * 9/2015 Park D14/126
D755,743 S * 5/2016 Kim D14/126
D757,667 S * 5/2016 Yokota D14/126

(57) **CLAIM**

We claim the ornamental design for a television receiver, as shown and described.

DESCRIPTION

FIG. 1 is a front perspective view of a television receiver showing our new design;
FIG. 2 is a front view thereof;
FIG. 3 is a rear view thereof;
FIG. 4 is a left-side view thereof;
FIG. 5 is a right-side view thereof;
FIG. 6 is a top plan view thereof;
FIG. 7 is a bottom plan view thereof;
FIG. 8 is a rear perspective view thereof;
FIG. 9 is an enlarged view of the encircled portion in FIG. 2;
FIG. 10 is an enlarged view of the encircled portion in FIG. 6;
FIG. 11 is an enlarged view of the encircled portion in FIG. 8; and,
FIG. 12 is an enlarged view of the encircled portion in FIG. 1.

The broken lines in the figures depict environmental subject matter and form no part of the claimed design.
The dot-dash broken lines encircling portions of the claimed design that are illustrated in enlargements form no part of the claimed design.

1 Claim, 12 Drawing Sheets

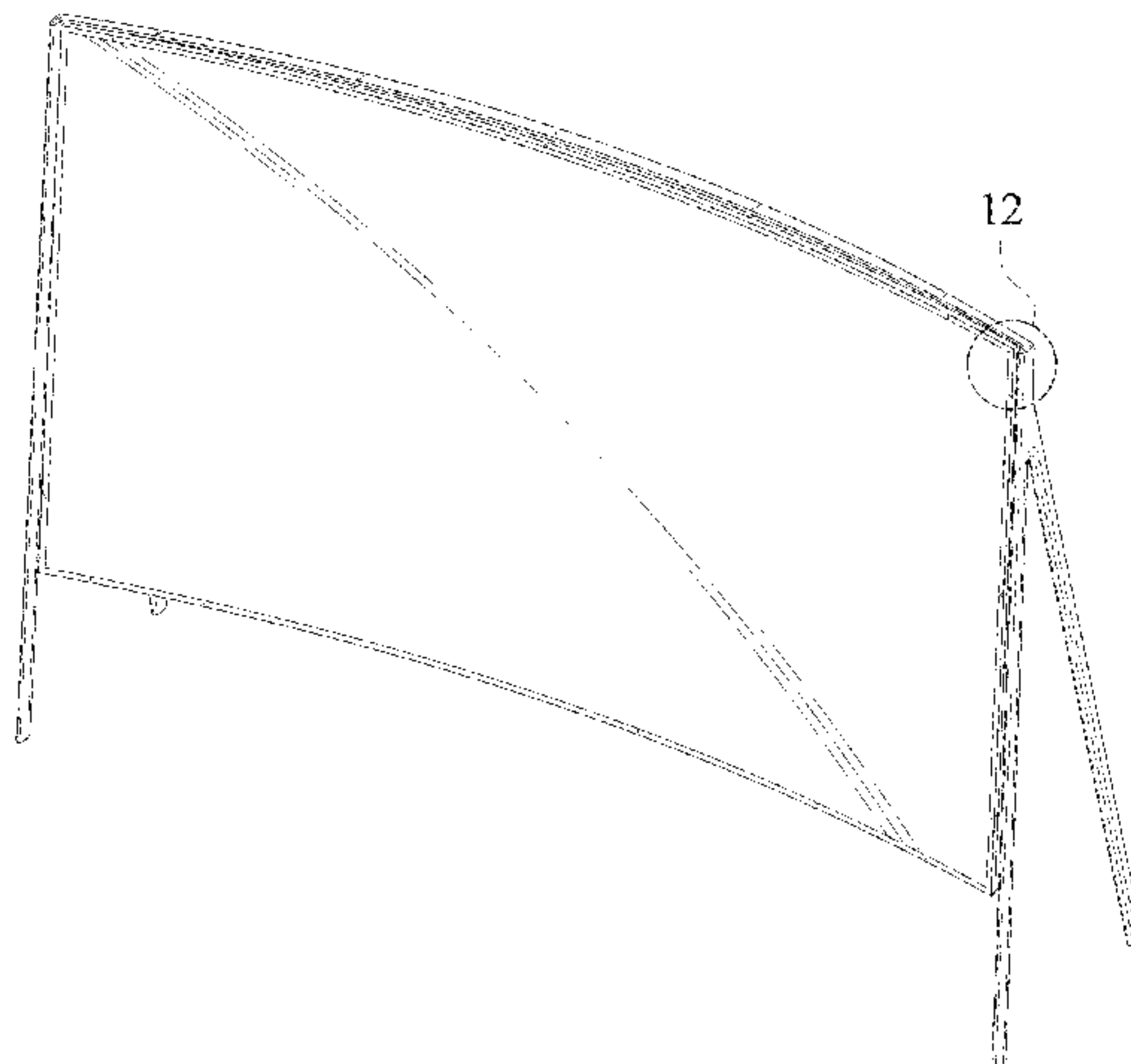


FIG. 1

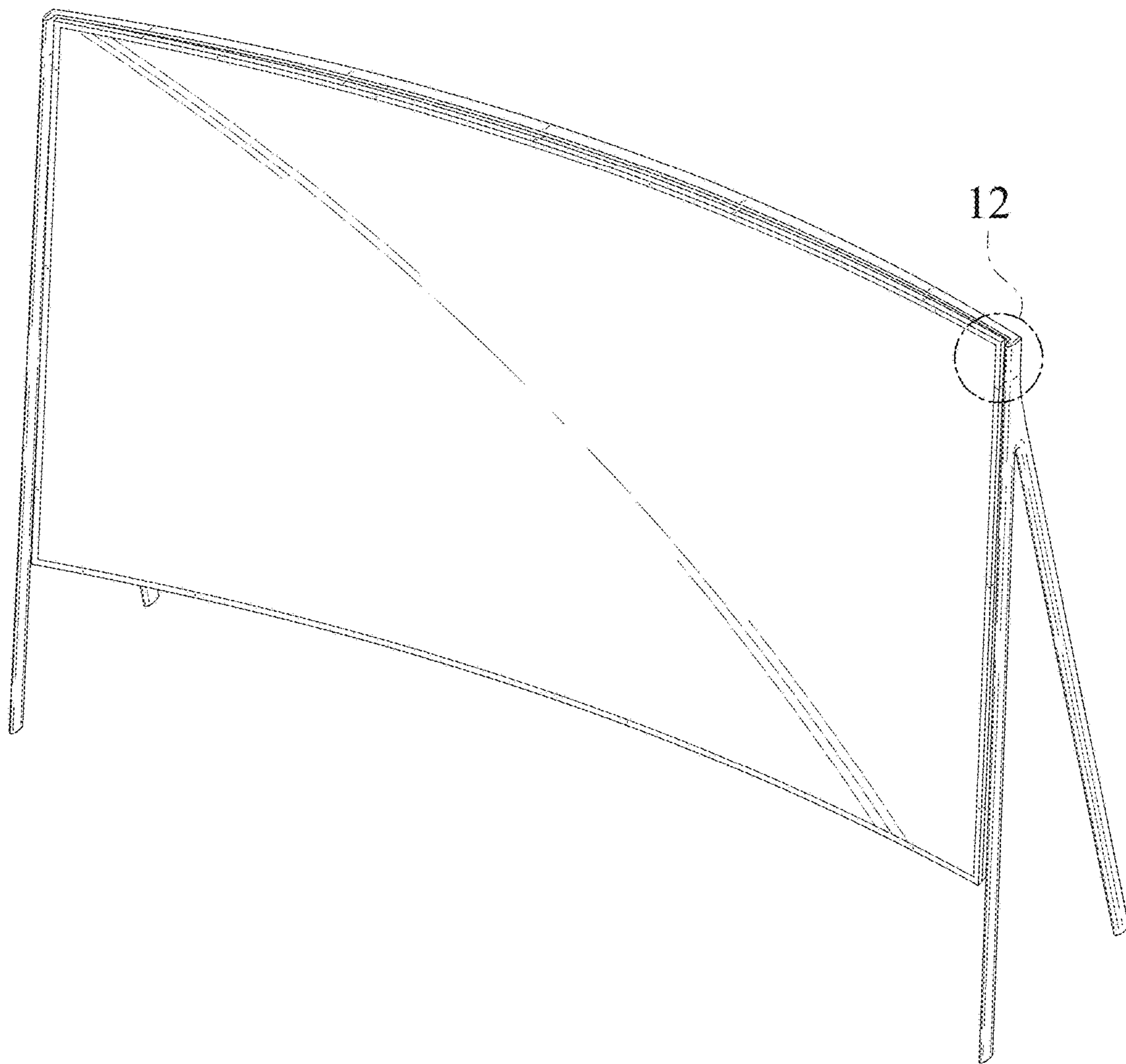


FIG. 2

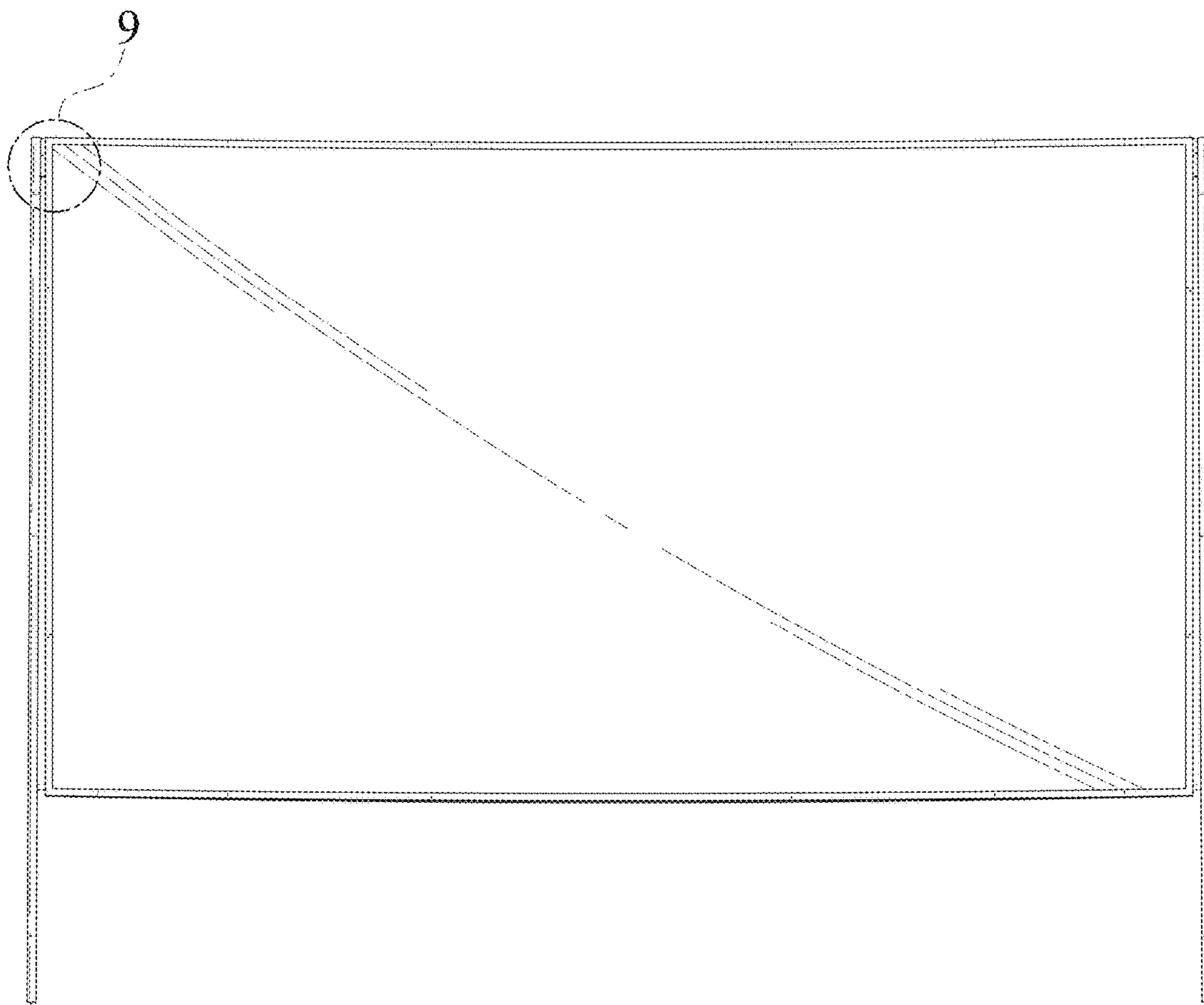


FIG. 3

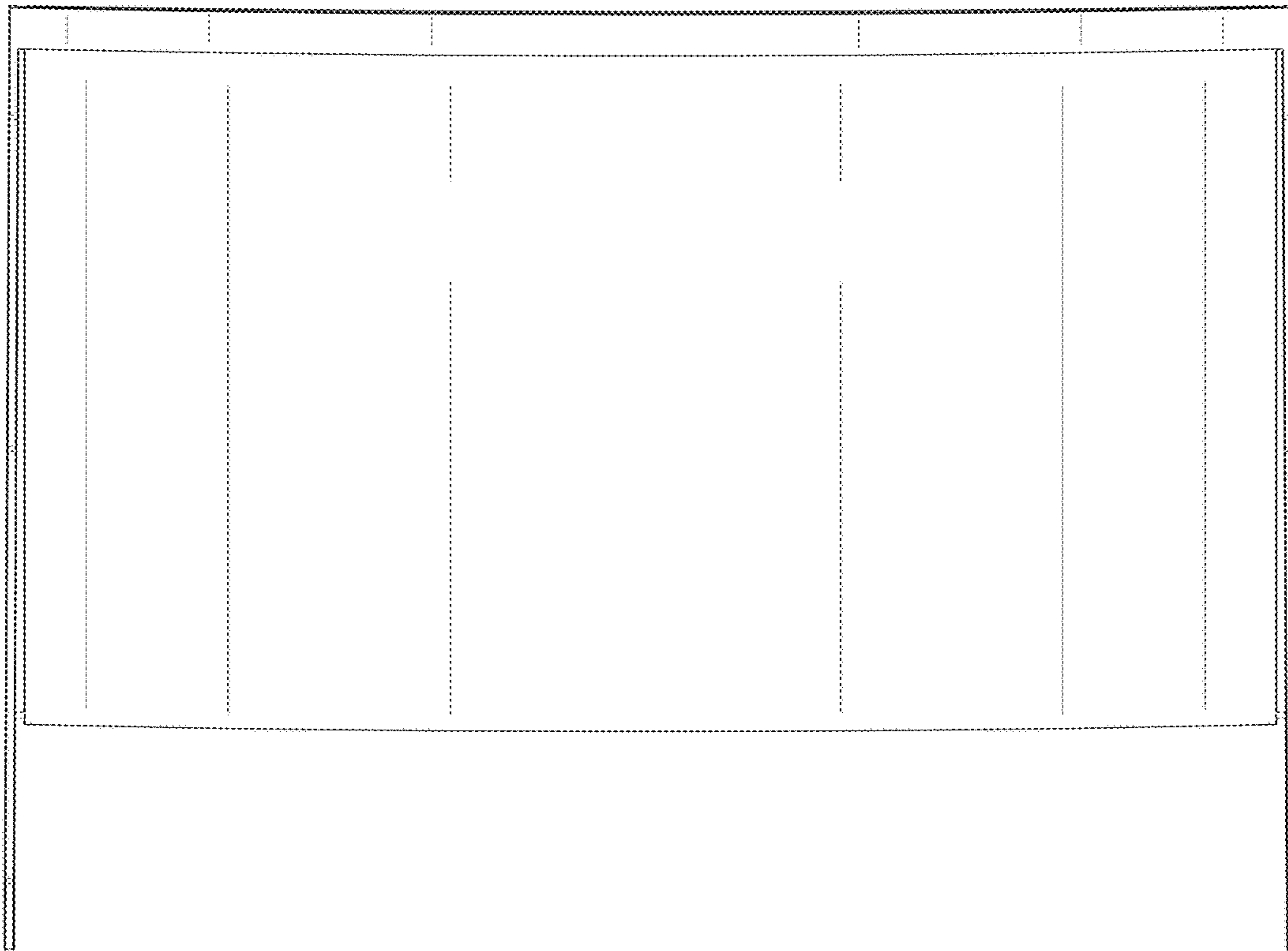


FIG. 4

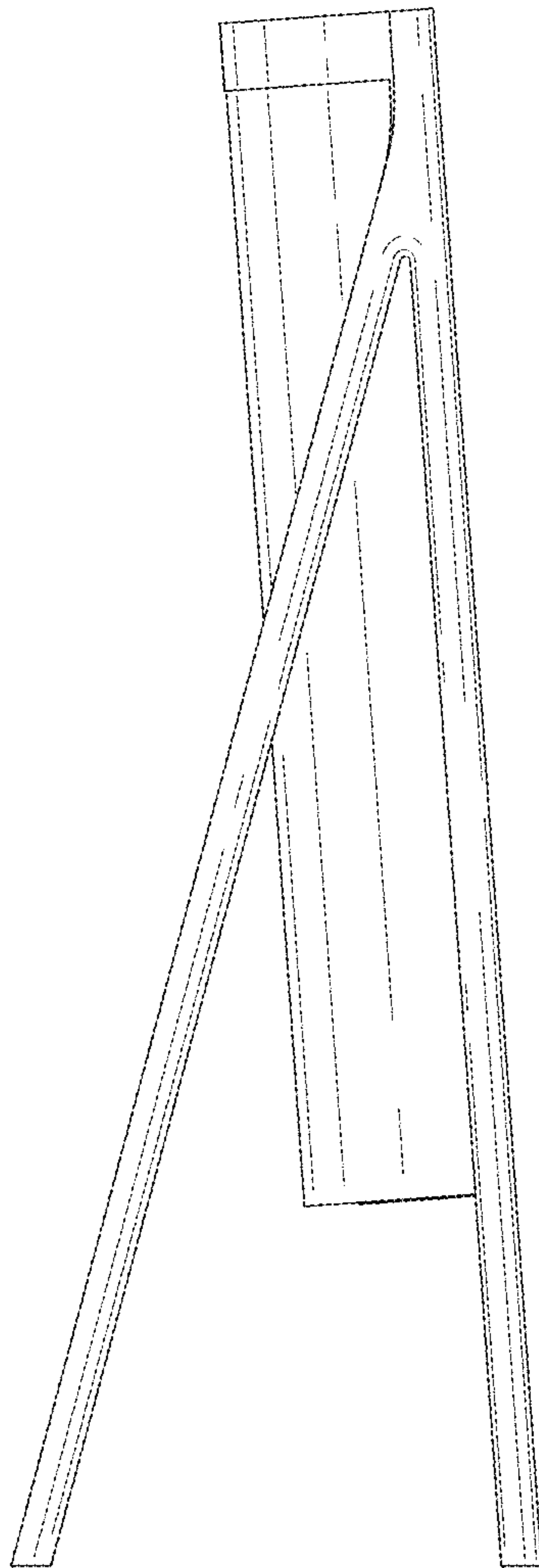


FIG. 5

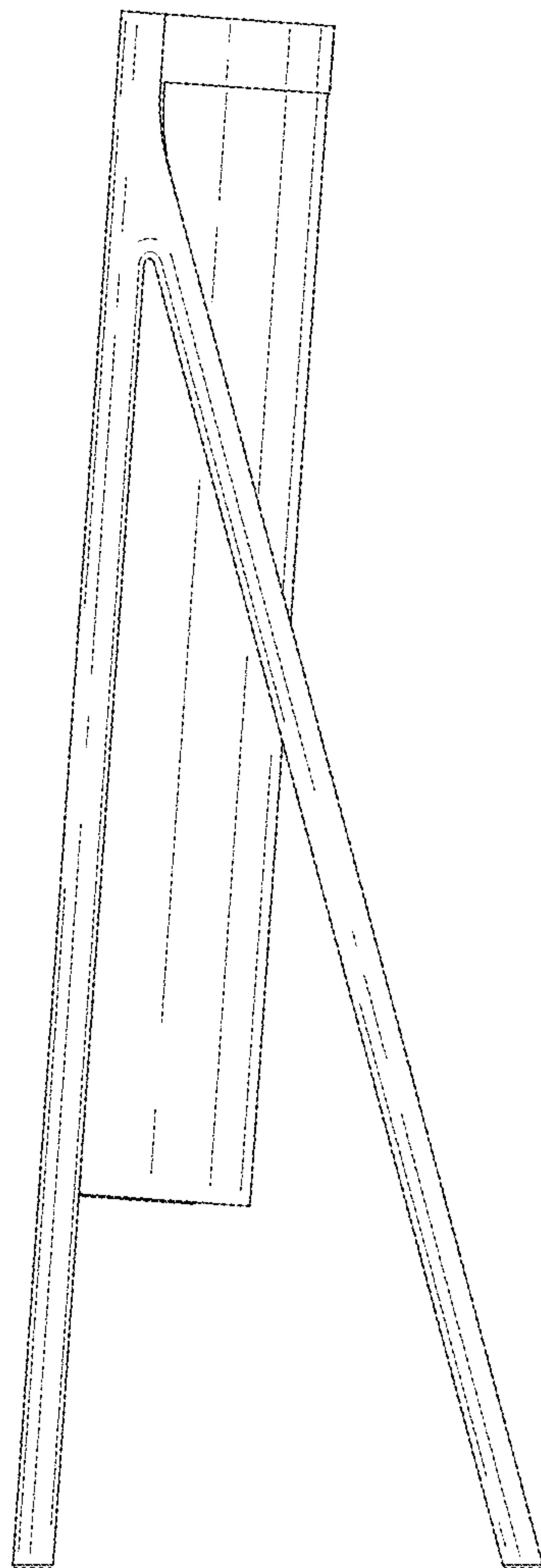


FIG. 6

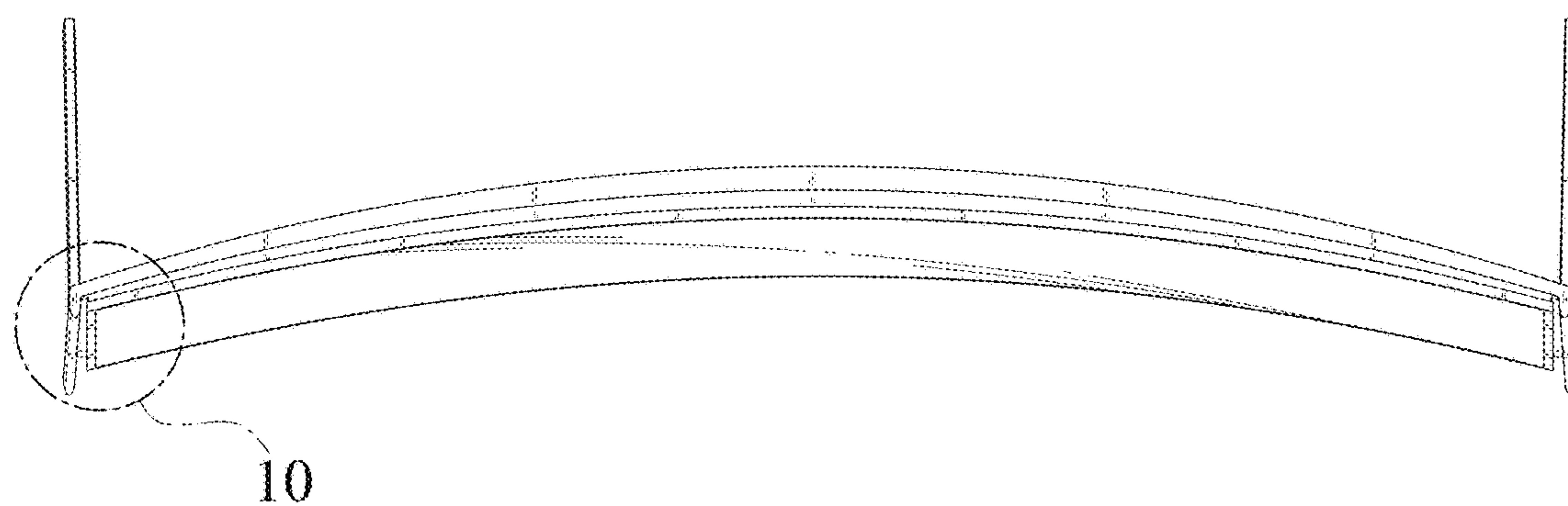


FIG. 7

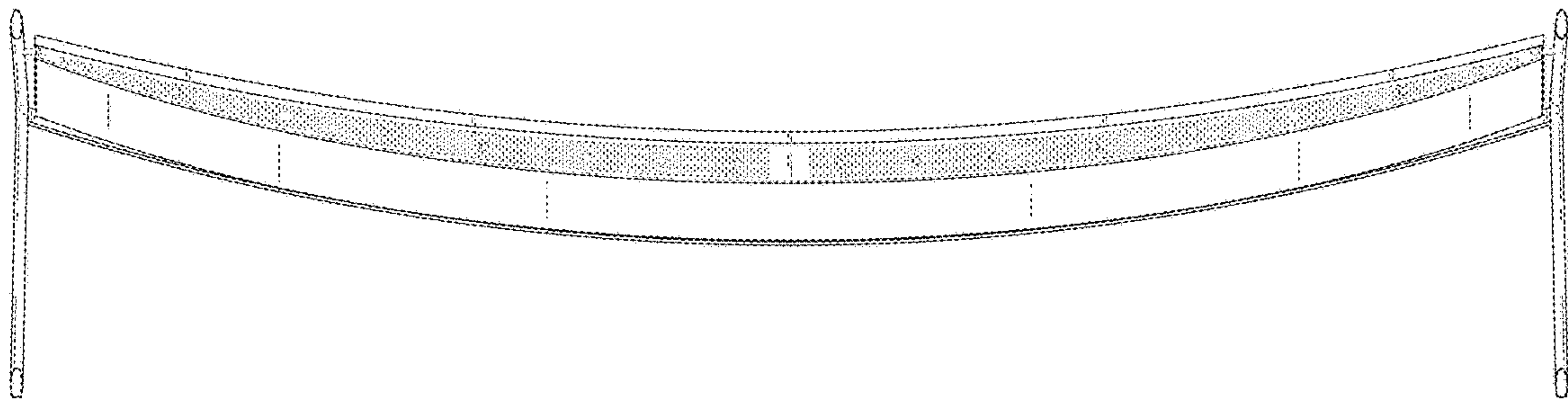


FIG. 8

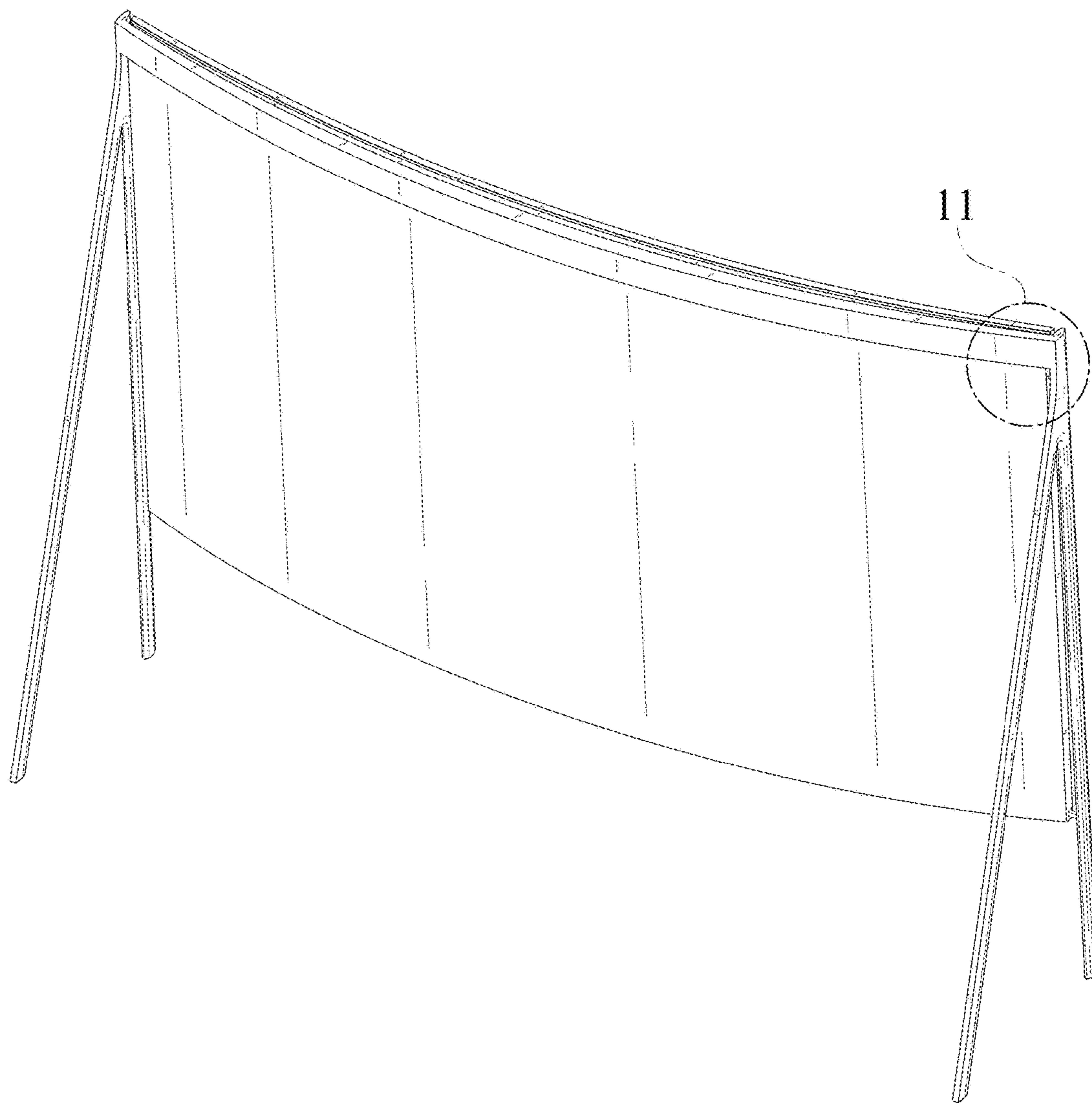


FIG. 9

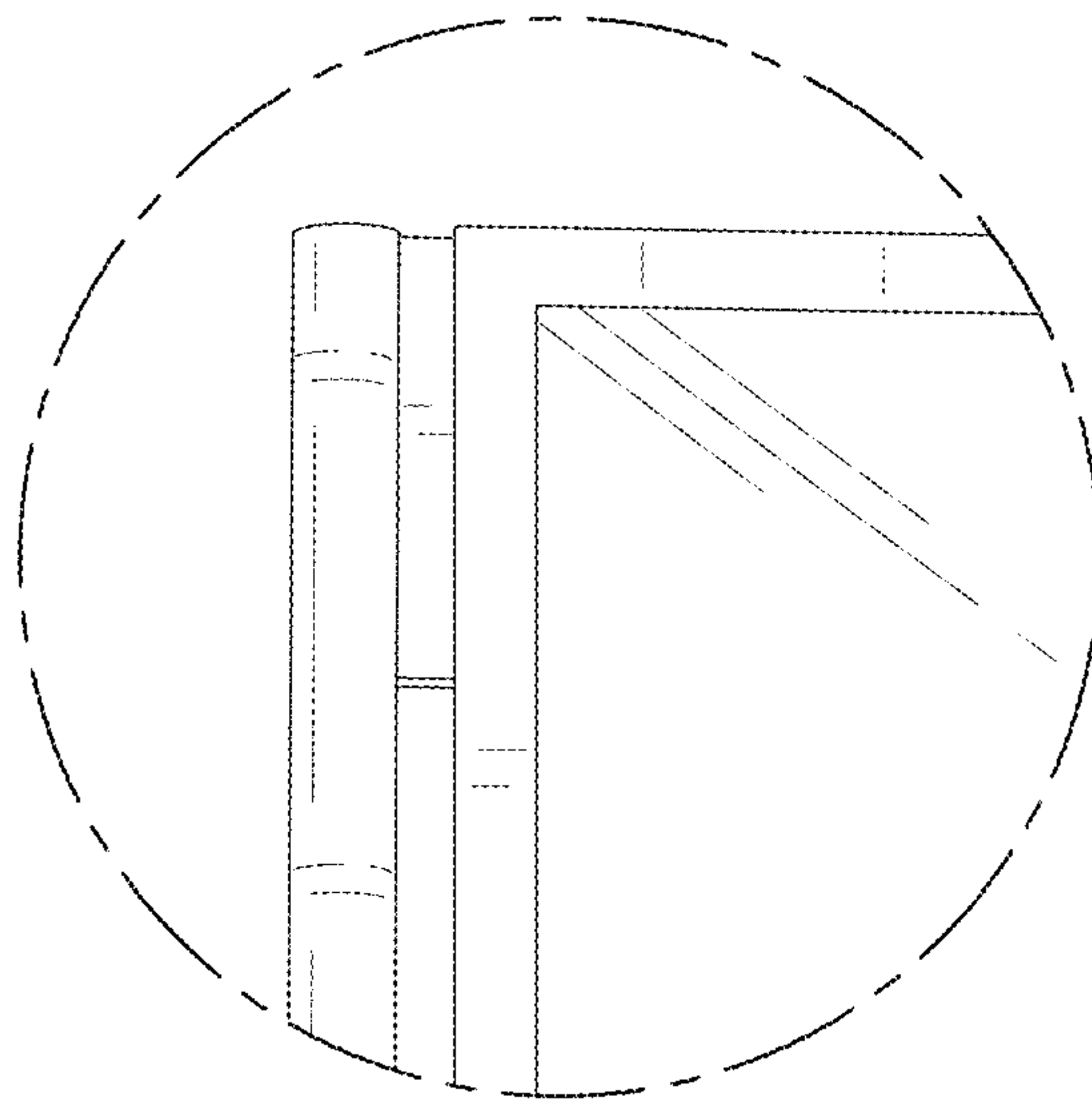


FIG. 10

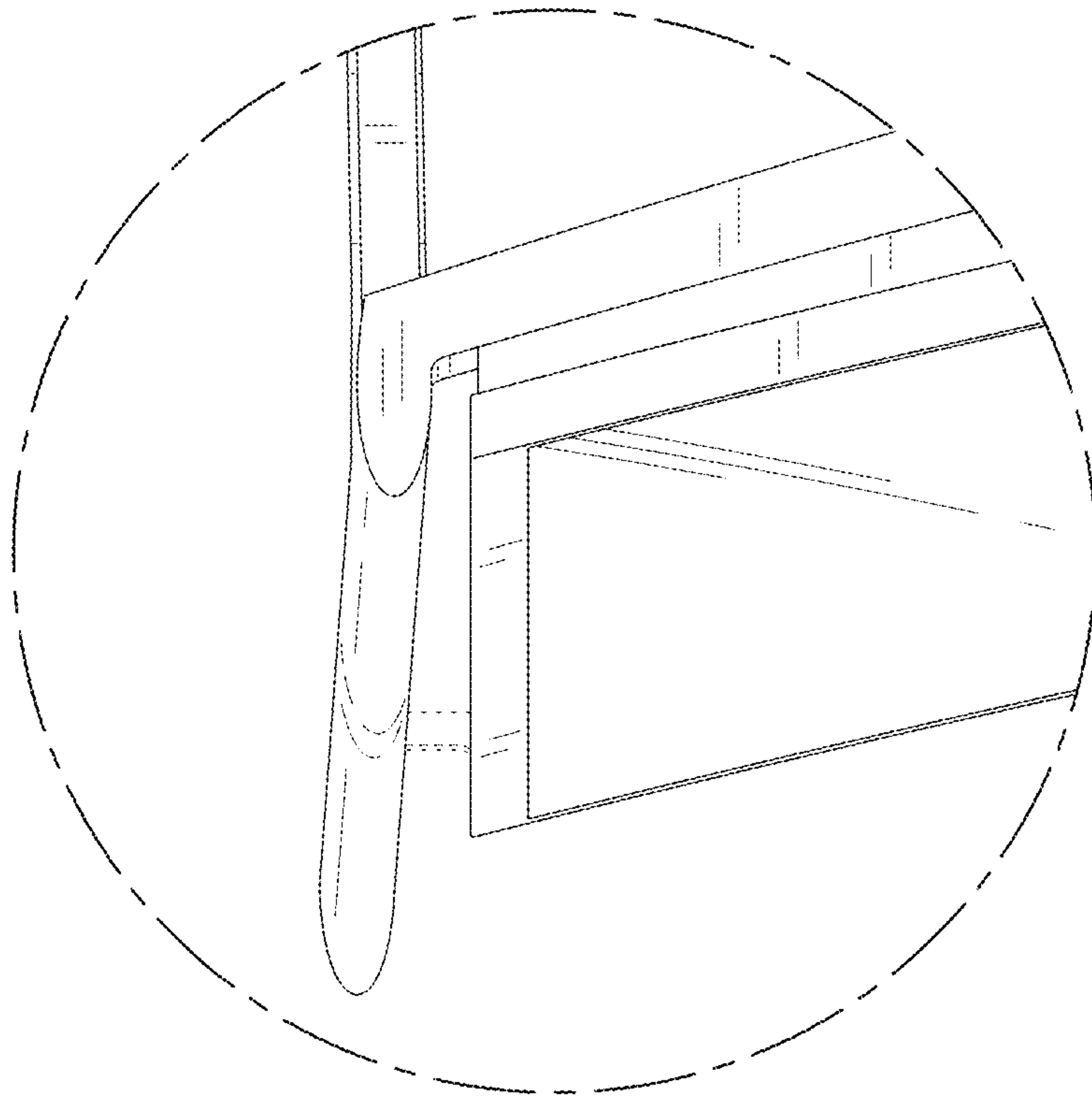


FIG. 11

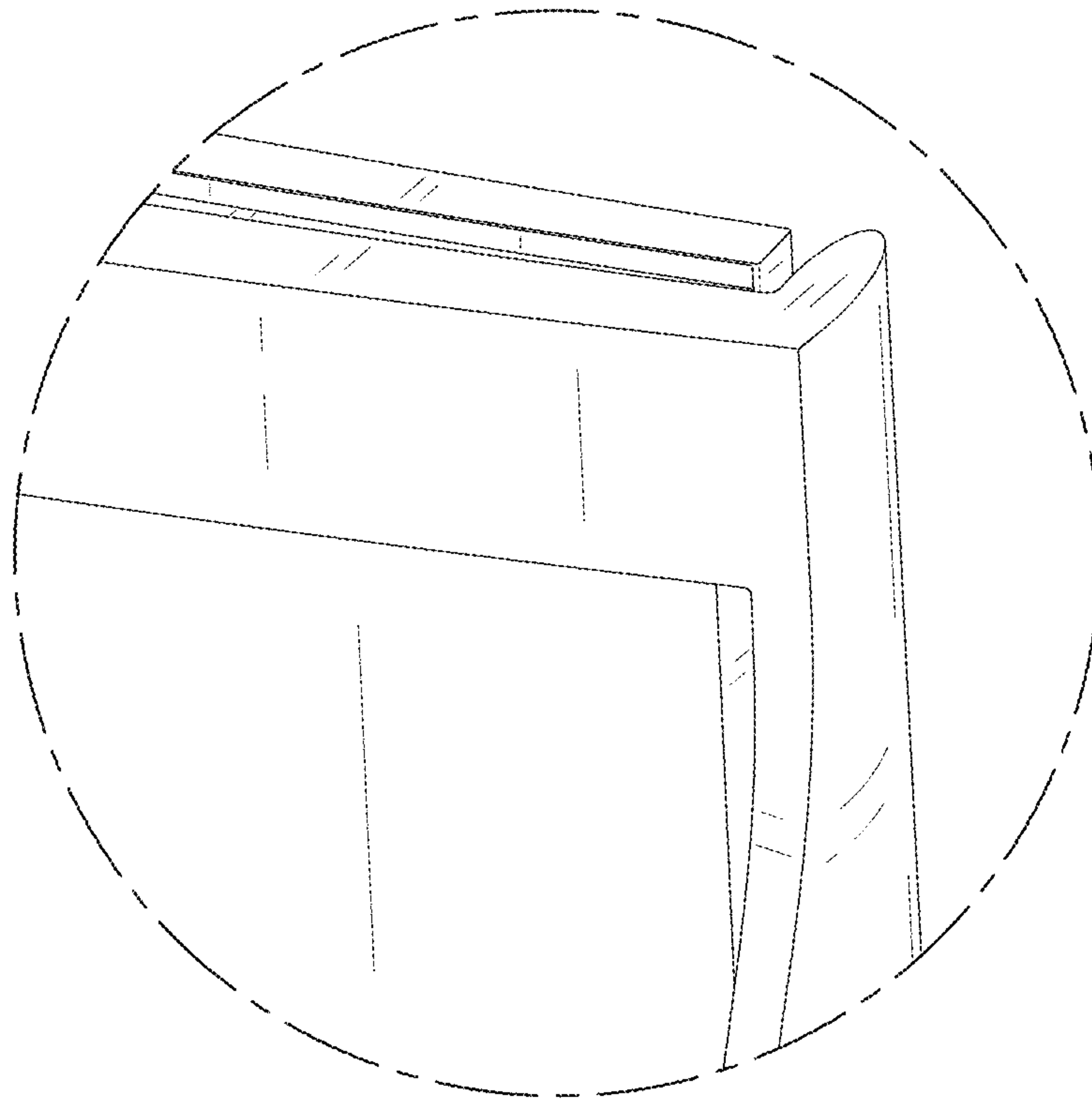


FIG. 12

