



US00D800679S

(12) **United States Design Patent**  
**Omori**

(10) **Patent No.:** **US D800,679 S**

(45) **Date of Patent:** **\*\* Oct. 24, 2017**

(54) **LIGHT EMITTING DIODE**

(71) Applicants: **CITIZEN ELECTRONICS CO., LTD.**, Fujiyoshida-shi, Yamanashi (JP);  
**CITIZEN WATCH CO., LTD.**, Tokyo (JP)

(72) Inventor: **Yuji Omori**, Fujiyoshida (JP)

(73) Assignees: **CITIZEN ELECTRONICS CO., LTD.**, Fujiyoshida-Shi, Yamanashi (JP);  
**CITIZEN WATCH CO., LTD.**, Tokyo (JP)

(\*\*) Term: **15 Years**

(21) Appl. No.: **29/582,679**

(22) Filed: **Oct. 28, 2016**

(30) **Foreign Application Priority Data**

Apr. 28, 2016 (JP) ..... 2016-009428

(51) **LOC (10) Cl.** ..... **13-03**

(52) **U.S. Cl.**  
USPC ..... **D13/180**

(58) **Field of Classification Search**  
USPC ..... D13/180; D26/1  
CPC ... H01L 25/167; H01L 25/0753; H01L 27/15;  
H01L 27/156; H01L 31/02; H01L 33/00;  
H01L 33/04; H01L 33/08; H01L 33/10;  
H01L 33/20; H01L 33/38; H01L 33/42;  
H01L 33/48; H01L 33/483; H01L 33/486  
See application file for complete search history.

(56) **References Cited**

**U.S. PATENT DOCUMENTS**

D628,966 S \* 12/2010 Kuwaharada ..... D13/180  
D631,020 S \* 1/2011 Chuang ..... D13/180  
7,943,951 B2 \* 5/2011 Kim ..... H01L 33/58  
257/100  
D645,419 S 9/2011 Kuwaharada et al.

D646,235 S 10/2011 Kuwaharada et al.  
D649,943 S \* 12/2011 Kuwaharada ..... D13/180  
D667,802 S 9/2012 Otaki et al.  
D675,169 S \* 1/2013 Chou ..... D13/180  
D703,348 S \* 4/2014 Reiherzer ..... D26/2  
8,748,915 B2 \* 6/2014 Chan ..... C09K 11/7731  
257/91  
D713,804 S \* 9/2014 Britt ..... D13/180  
D718,725 S 12/2014 Reiherzer et al.  
D746,240 S 12/2015 Bergmann et al.  
9,638,852 B2 \* 5/2017 Sakai ..... G02B 6/0011  
D790,486 S \* 6/2017 Reiherzer ..... D13/180  
2004/0183081 A1 \* 9/2004 Shishov ..... H01L 33/501  
257/79  
2004/0227149 A1 \* 11/2004 Ibbetson ..... H01L 33/54  
257/100

(Continued)

**OTHER PUBLICATIONS**

Lumileds, Luxeon T, Lumileds Holdings B.V., Oct. 29, 2015, 20 pgs. (e.g., pp. 1 and 14).

*Primary Examiner* — Selina Sikder

(74) *Attorney, Agent, or Firm* — Procopio, Cory, Hargreaves & Savitch LLP

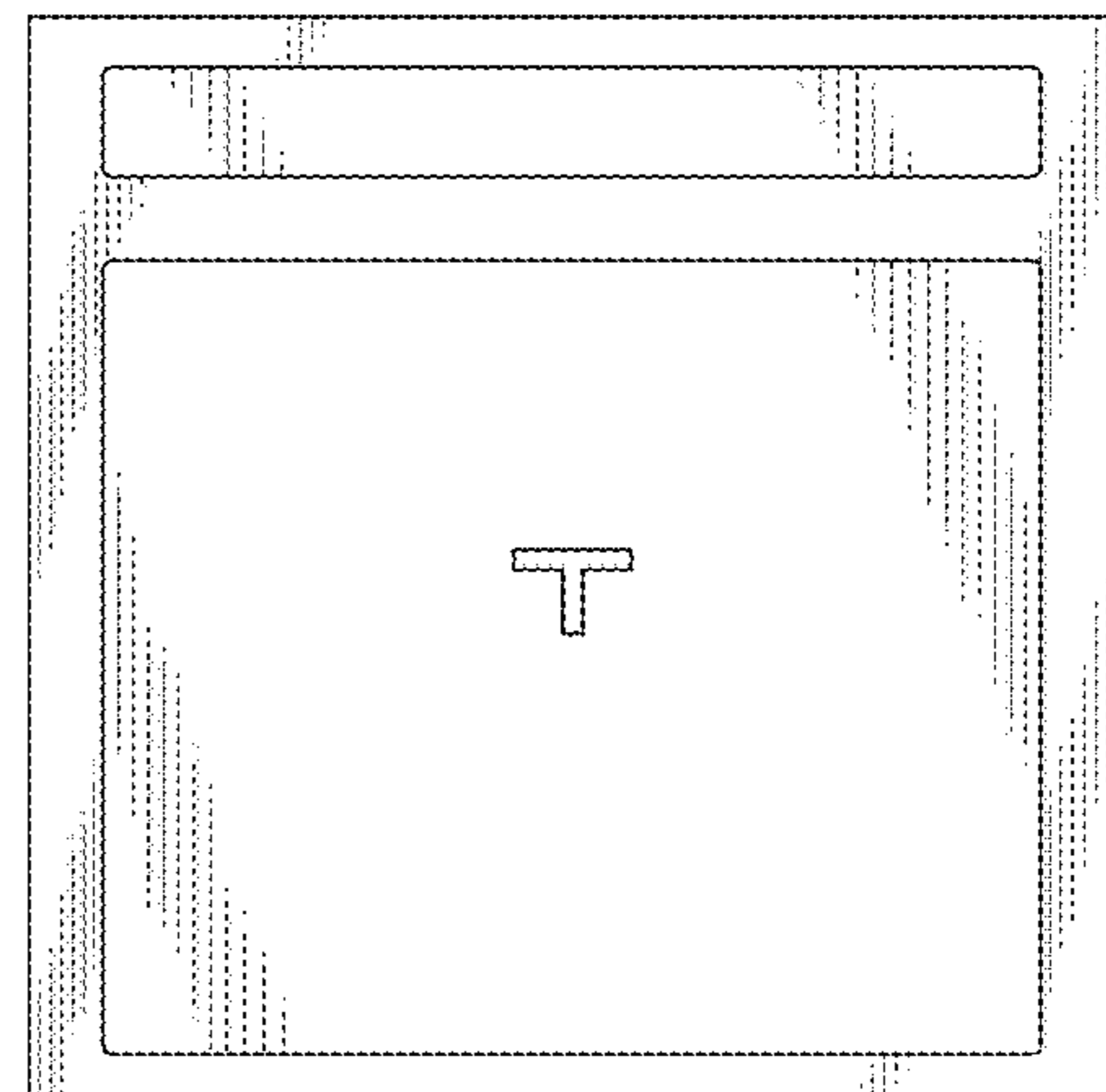
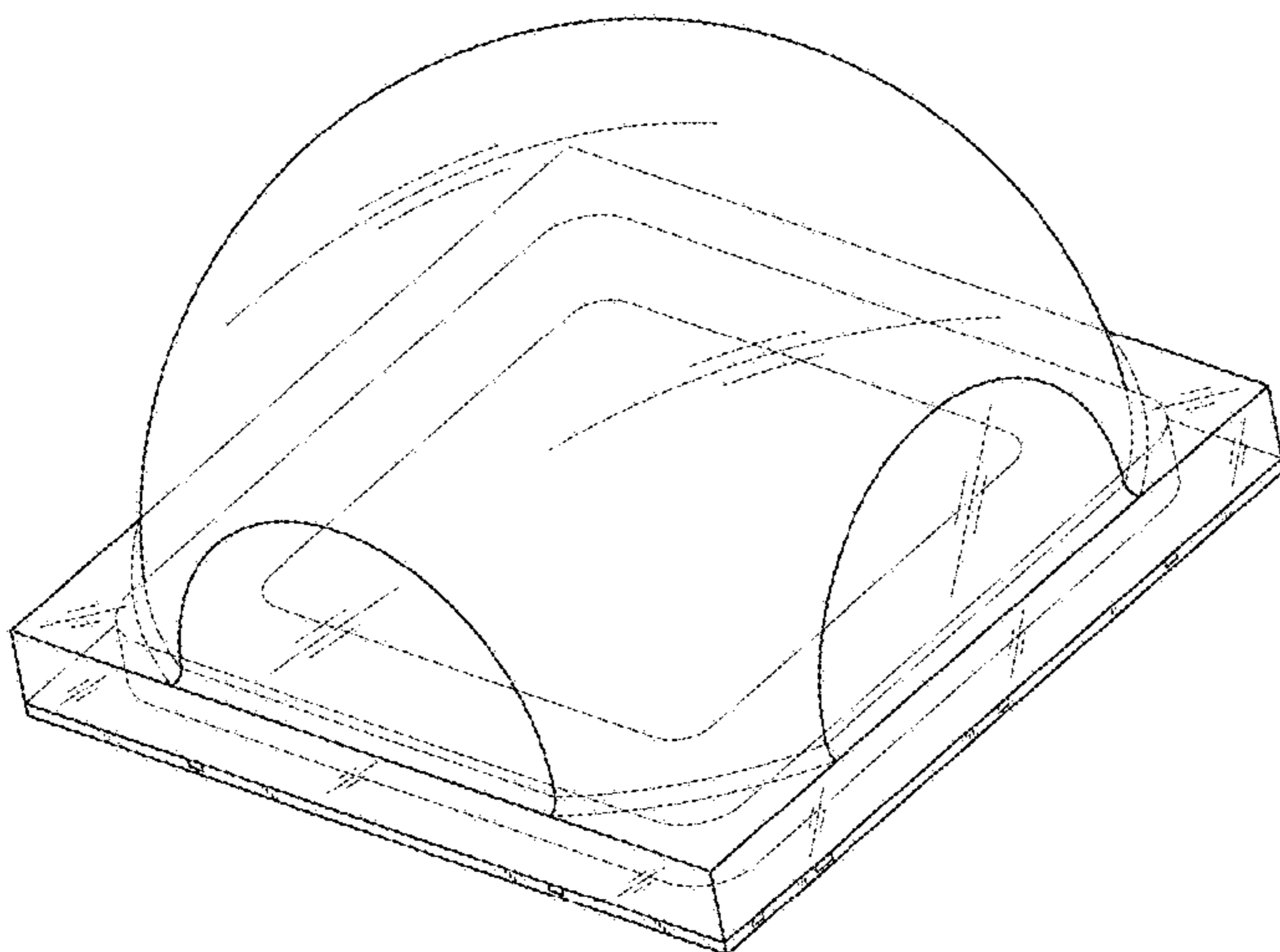
(57) **CLAIM**

The ornamental design for a light emitting diode, as shown and described.

**DESCRIPTION**

FIG. 1 is a perspective view of a light emitting diode showing my new design;  
FIG. 2 is a top plan view thereof;  
FIG. 3 is a bottom plan view thereof;  
FIG. 4 is a front elevational view thereof;  
FIG. 5 is a rear elevational view thereof;  
FIG. 6 is a left side elevational view thereof; and,  
FIG. 7 is a right side elevational view thereof.

**1 Claim, 4 Drawing Sheets**



(56)

**References Cited**

U.S. PATENT DOCUMENTS

2010/0232166 A1\* 9/2010 Ho ..... F21V 5/04  
362/335

\* cited by examiner

FIG. 1

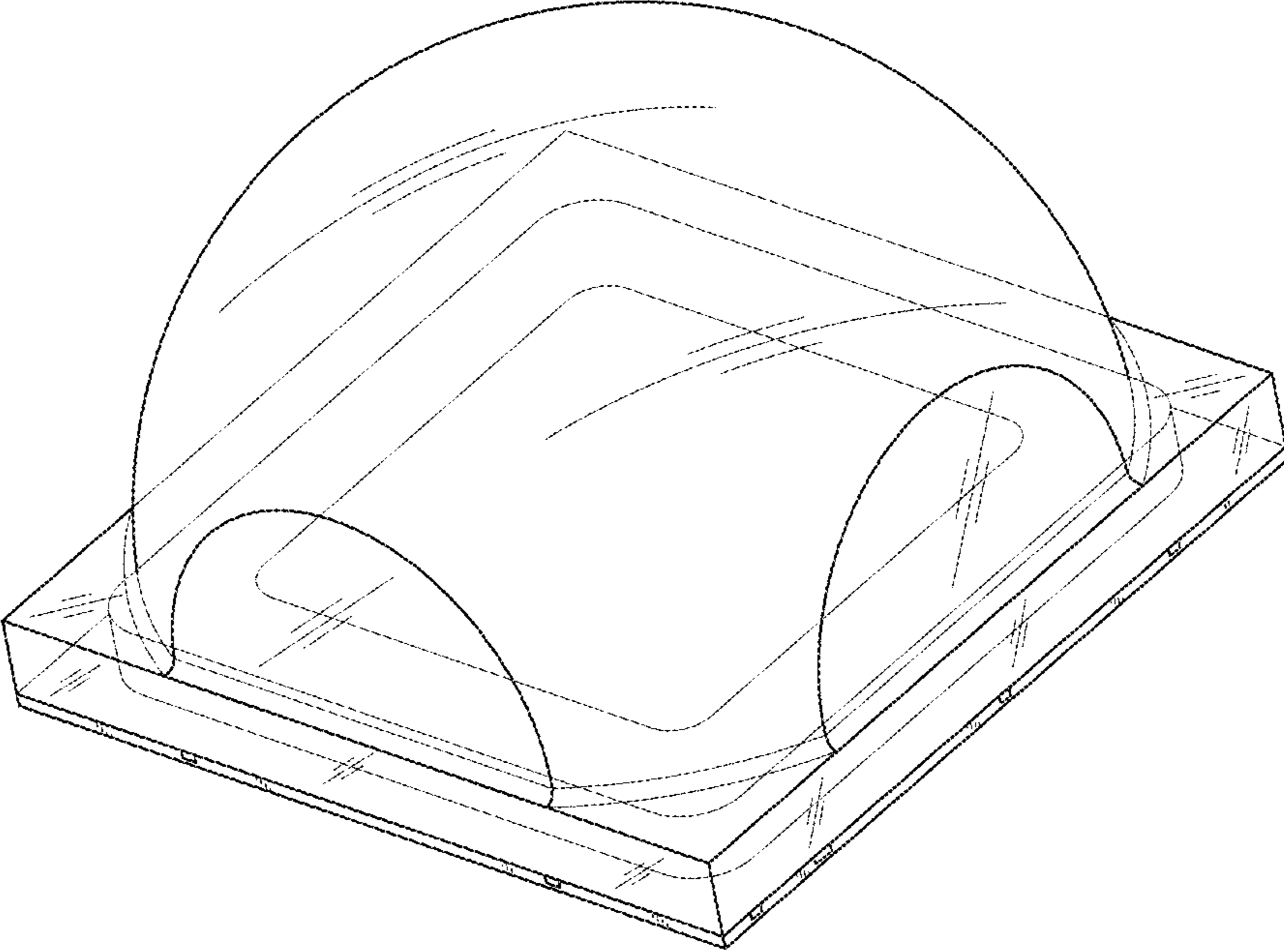


FIG. 2

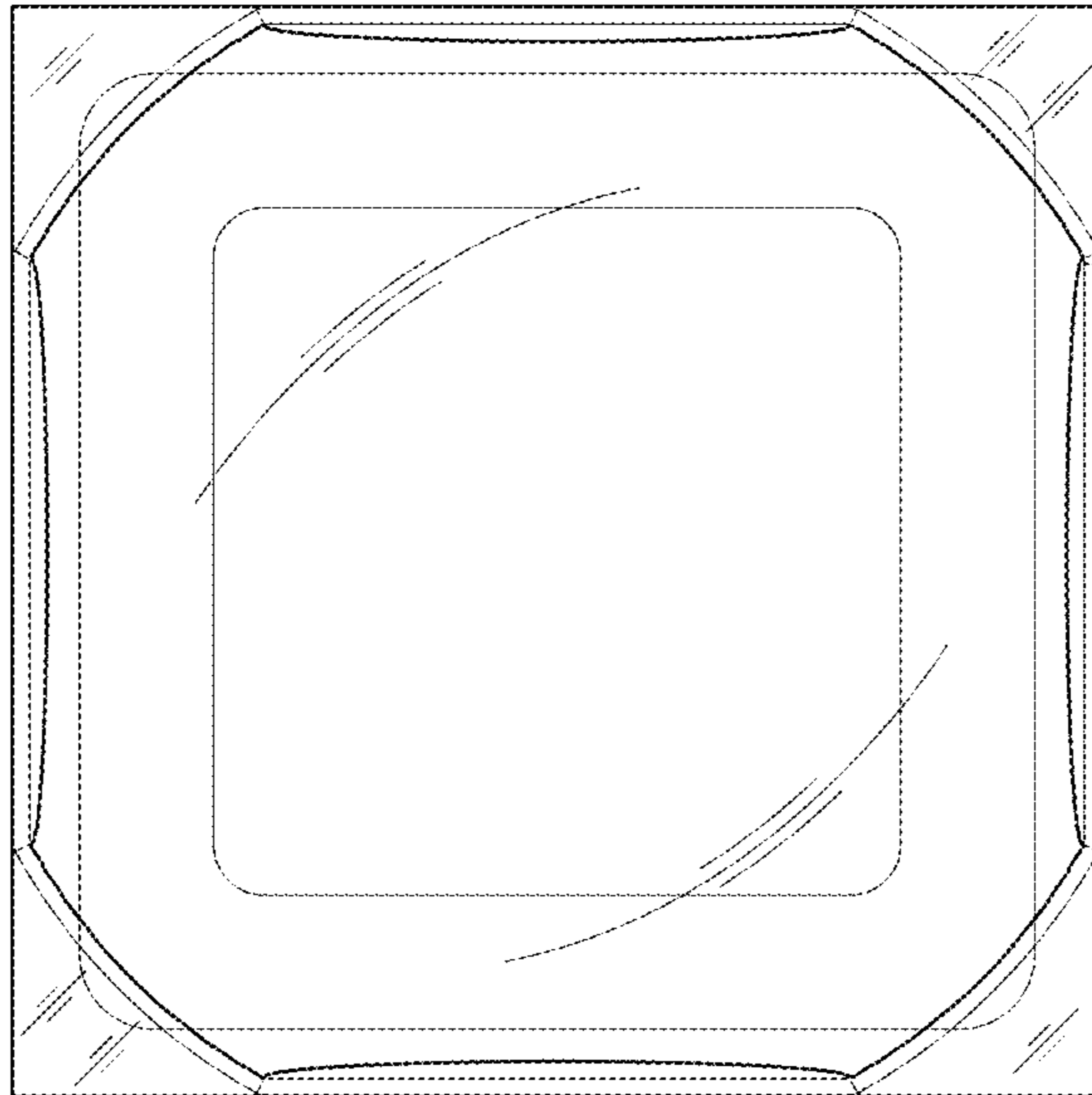


FIG. 3

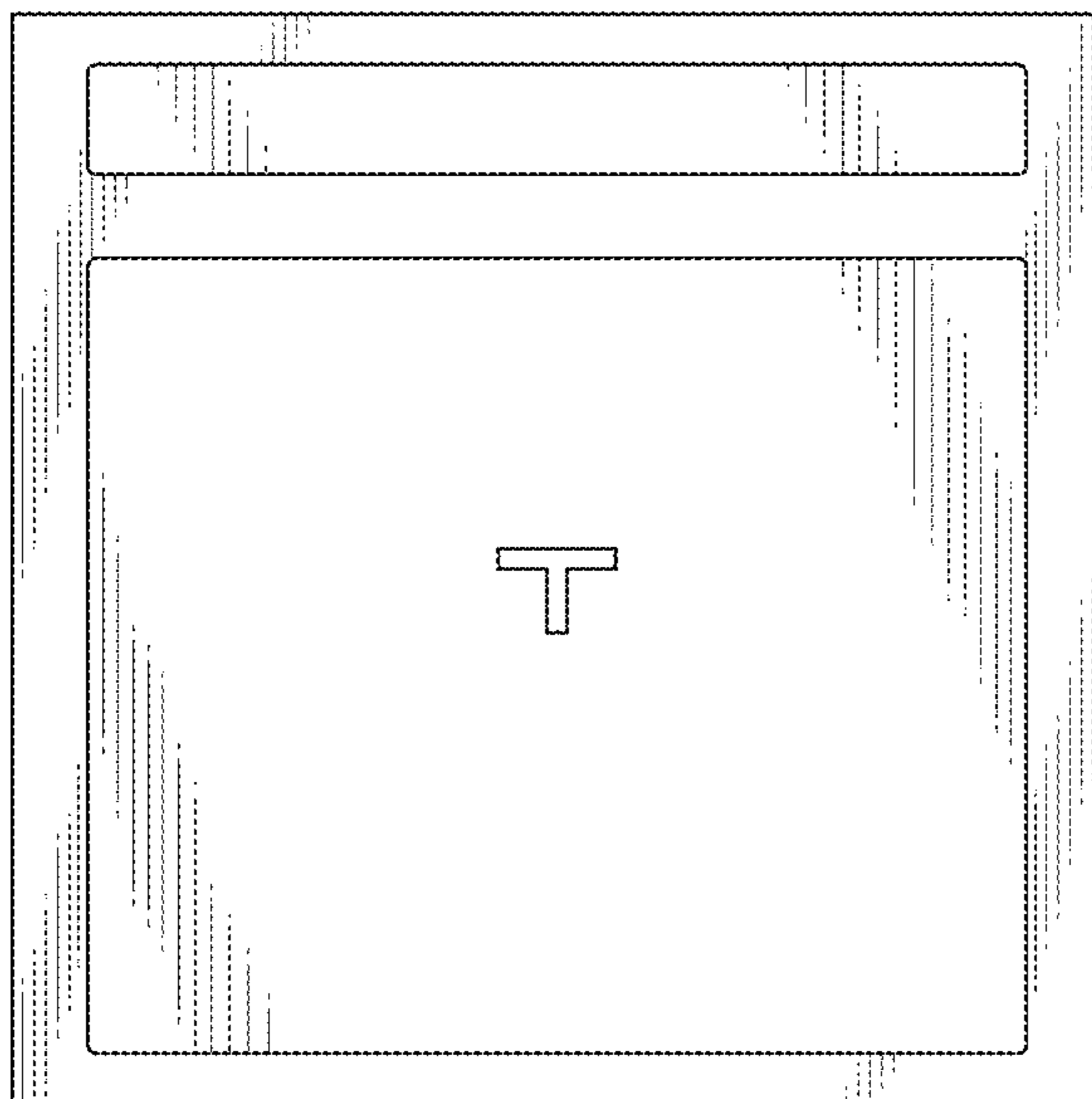


FIG. 4

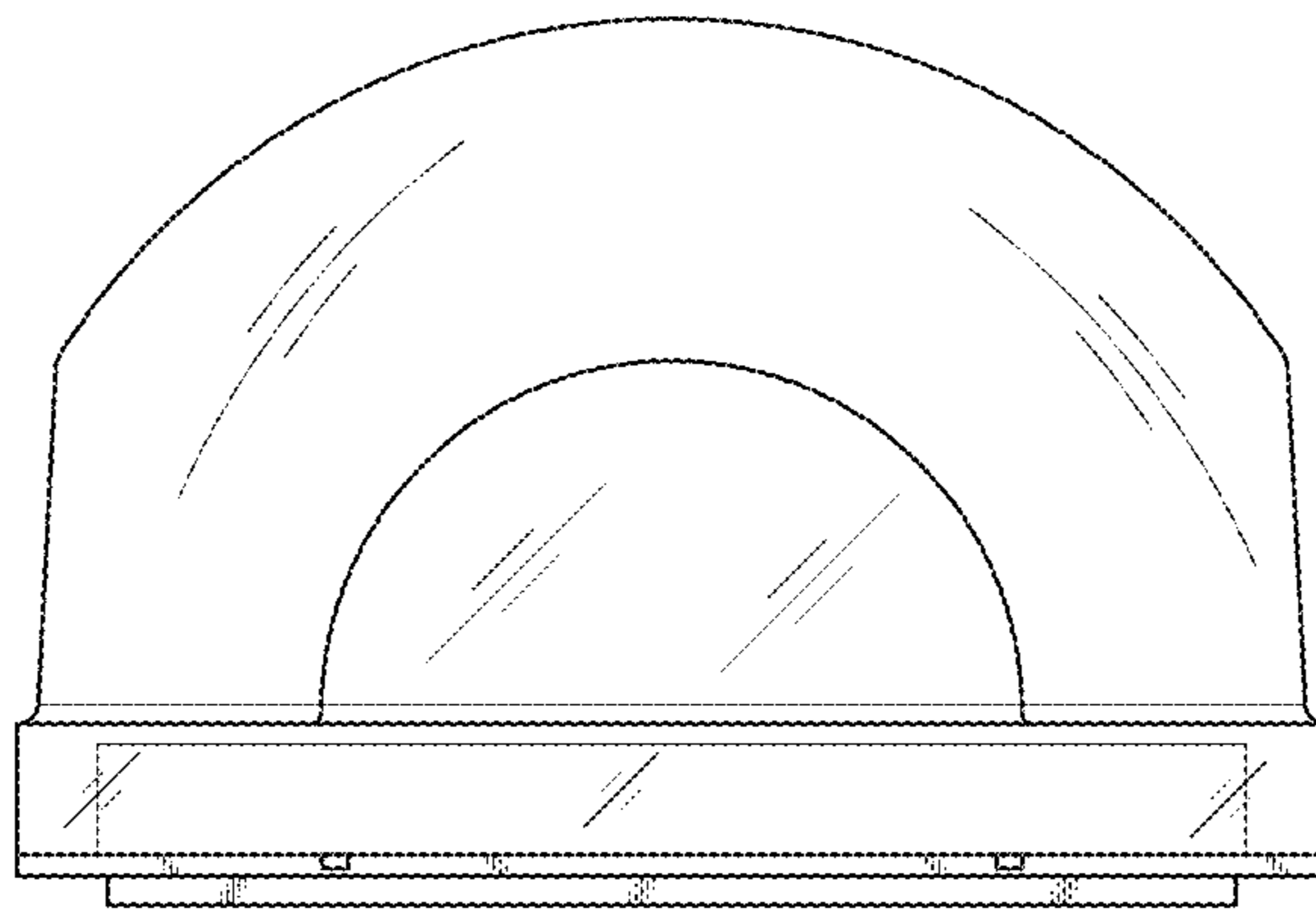


FIG. 5

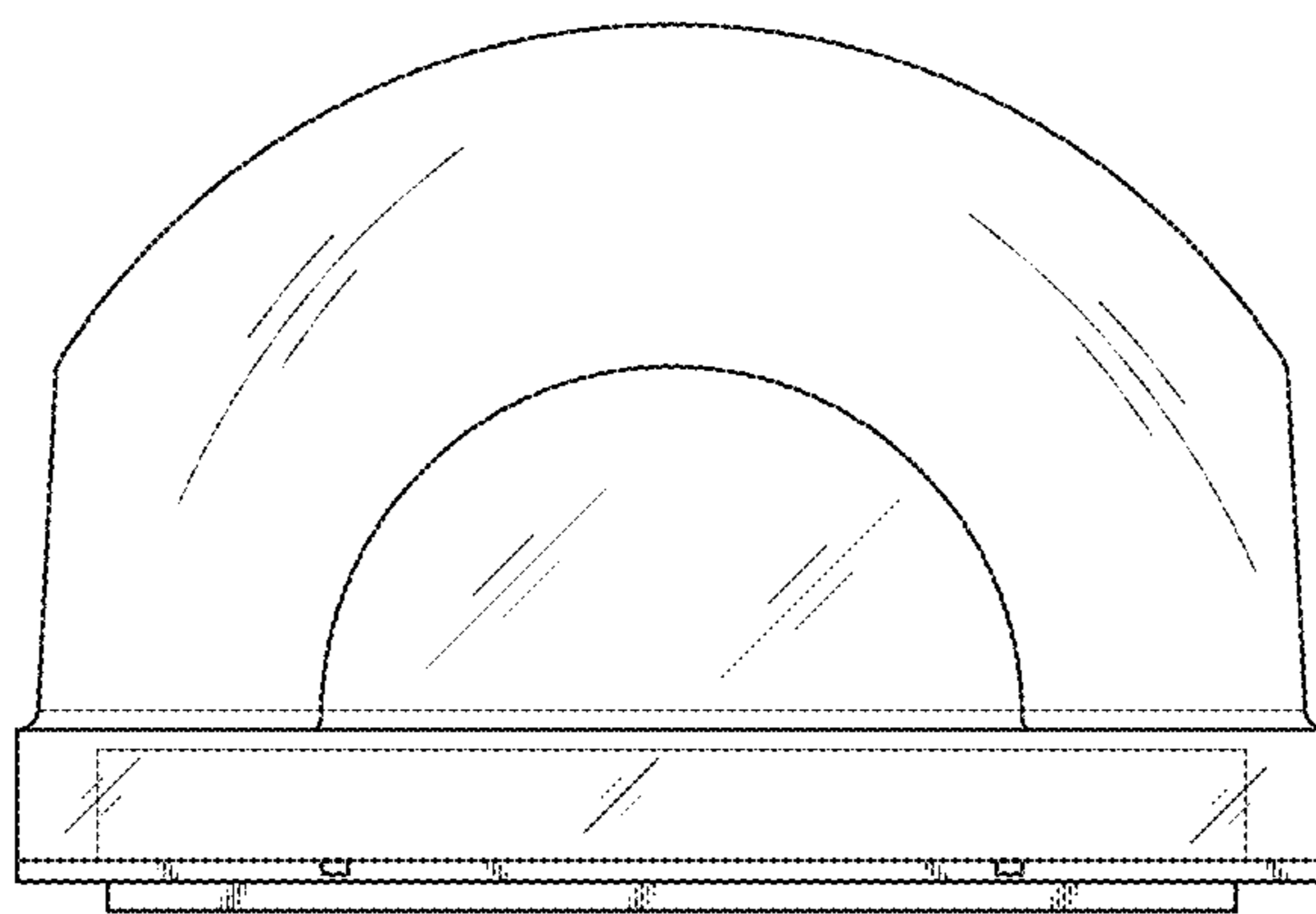


FIG. 6

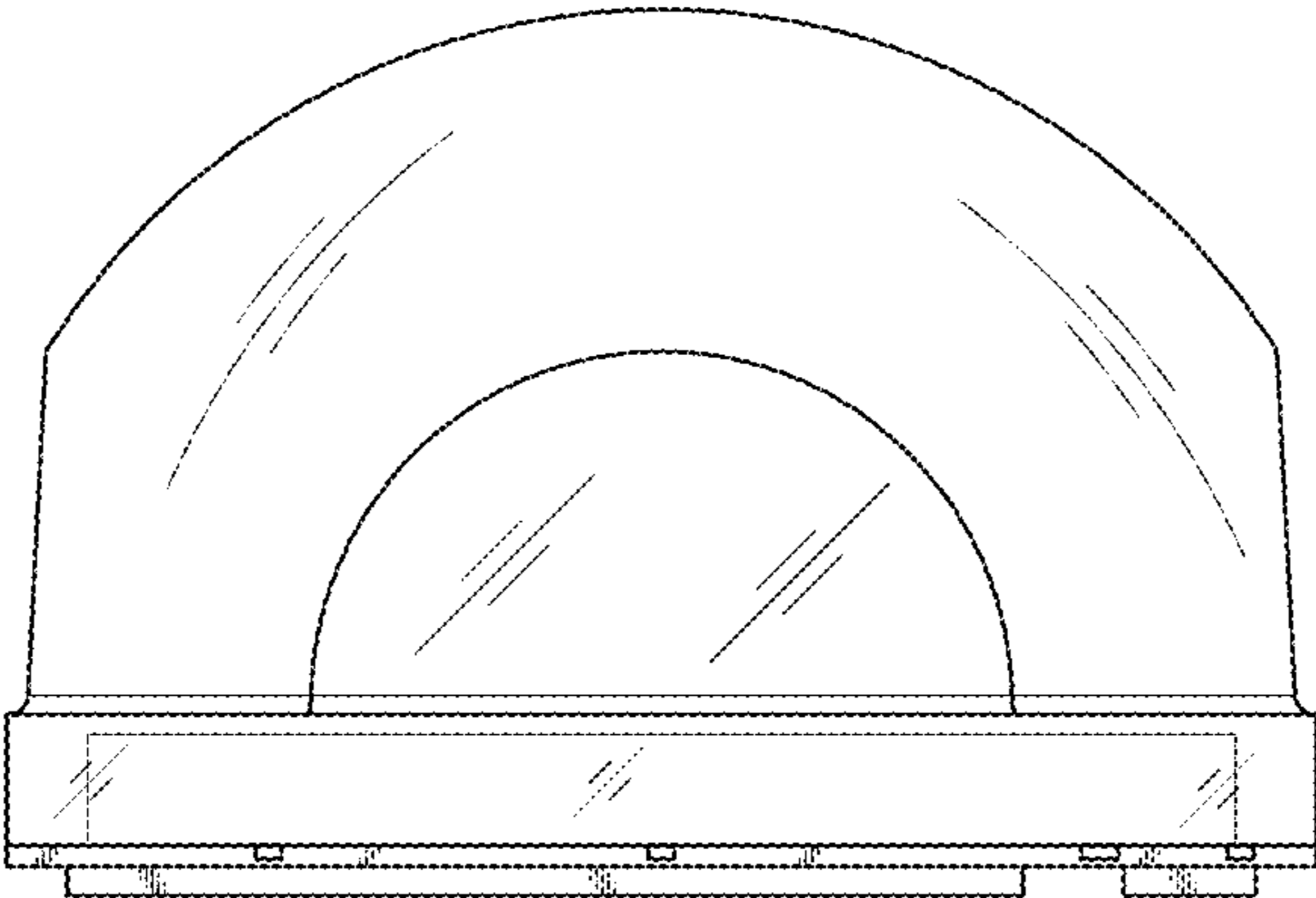


FIG. 7

