



US00D800673S

(12) **United States Design Patent**  
**Lacey et al.**

(10) **Patent No.:** **US D800,673 S**

(45) **Date of Patent:** **\*\* \*Oct. 24, 2017**

(54) **SWITCH APPARATUS COMPONENT**

(71) Applicant: **EATON CORPORATION**, Cleveland, OH (US)

(72) Inventors: **Darron Kirby Lacey**, Fayetteville, GA (US); **Erik Jeffrey Gouhl**, Fayetteville, GA (US); **Pramod Kumar**, Peachtree, GA (US)

(73) Assignee: **EATON CORPORATION**, Cleveland, OH (US)

(\* ) Notice: This patent is subject to a terminal disclaimer.

(\*\*) Term: **15 Years**

(21) Appl. No.: **29/575,361**

(22) Filed: **Aug. 24, 2016**

**Related U.S. Application Data**

(63) Continuation of application No. 29/512,862, filed on Dec. 23, 2014, now Pat. No. Des. 772,175.

(51) **LOC (10) Cl.** ..... **13-03**

(52) **U.S. Cl.**  
USPC ..... **D13/173**

(58) **Field of Classification Search**

USPC ..... D13/162, 169, 170, 171, 173, 174  
CPC ..... H01H 9/02; H01H 3/02; H01H 3/0213;  
H01H 15/06; H01H 23/00; H01H 23/02;  
H01H 23/04; H01H 23/08; H01H 23/146;  
H01H 23/148; H01H 23/164; H01H  
71/521; H01H 71/522; H02G 3/14; H05B  
39/08; Y10T 307/937

See application file for complete search history.

(56) **References Cited**

**U.S. PATENT DOCUMENTS**

3,534,195 A \* 10/1970 Palmieri ..... H01H 71/08  
200/270

4,180,305 A \* 12/1979 Ustin ..... H01R 9/2408  
439/717

4,809,132 A \* 2/1989 Palmieri ..... H01H 71/08  
335/202  
5,107,396 A \* 4/1992 Rosen ..... H01H 71/08  
361/634  
5,190,485 A \* 3/1993 Ransdell ..... H01R 9/18  
439/798  
5,206,789 A \* 4/1993 Barbry ..... H01H 71/08  
200/284  
5,269,710 A \* 12/1993 Donnerstag ..... H01H 71/08  
439/810  
5,488,337 A \* 1/1996 Hubbard ..... H01H 9/0264  
335/202  
D405,055 S \* 2/1999 Taylor ..... D13/133  
5,978,208 A \* 11/1999 Helms ..... H01H 1/5855  
200/284

(Continued)

*Primary Examiner* — Selina Sikder

(74) *Attorney, Agent, or Firm* — Eckert Seamans; Brij Agarwal; Grant Coffield

(57)

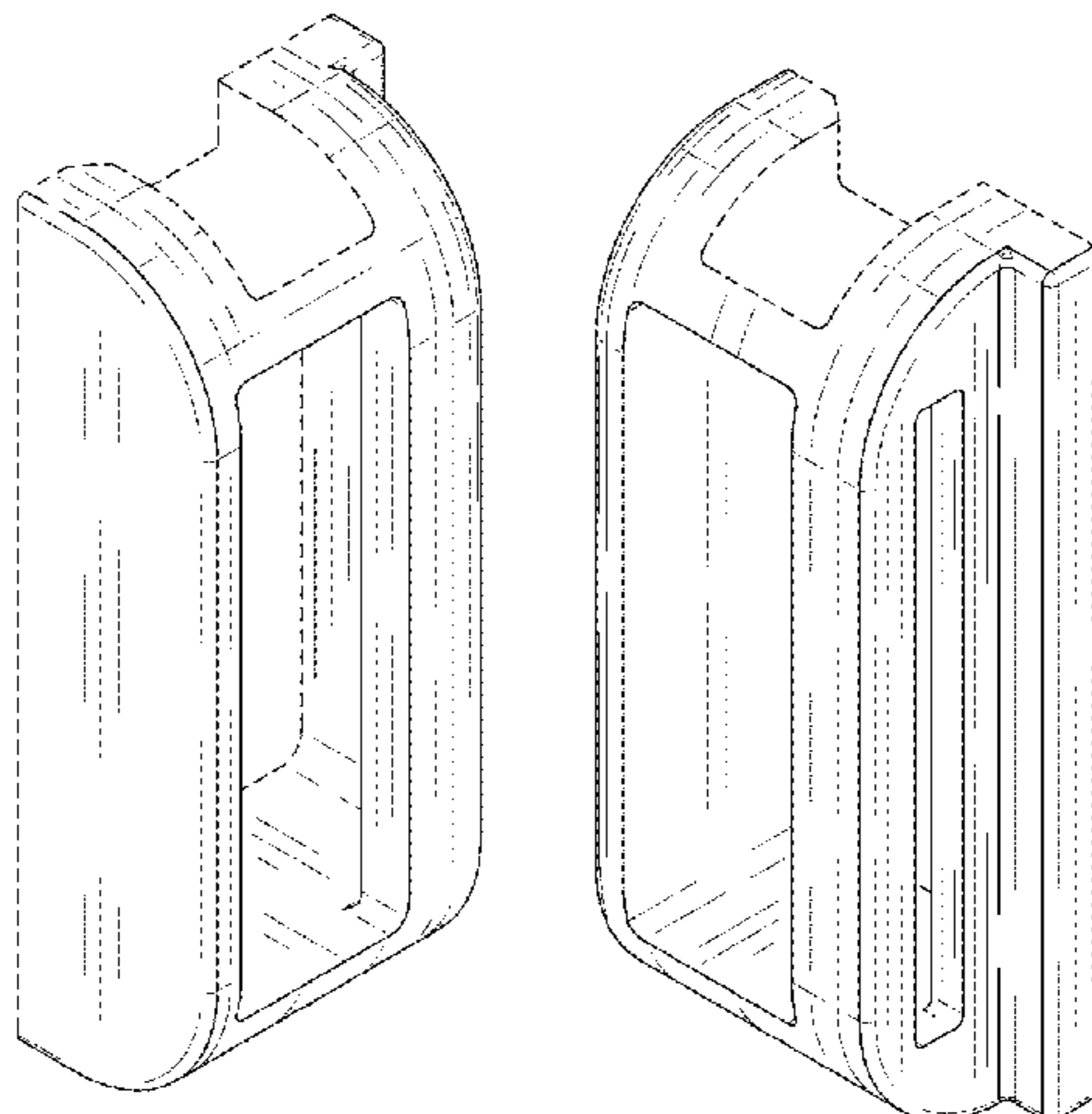
**CLAIM**

The ornamental design for a switch apparatus component, as shown and described.

**DESCRIPTION**

FIG. 1 is an upper left perspective view of the switch apparatus component;  
FIG. 2 is an upper right perspective view thereof;  
FIG. 3 is a lower left perspective view thereof;  
FIG. 4 is a left side elevational view thereof;  
FIG. 5 is a front elevational view thereof;  
FIG. 6 is a right side elevational view thereof;  
FIG. 7 is a top plan view thereof; and,  
FIG. 8 is a bottom plan view thereof.  
The dashed lines are for illustration of the boundary between claimed subject matter and unclaimed subject matter only and form no part of the claimed design.

**1 Claim, 4 Drawing Sheets**



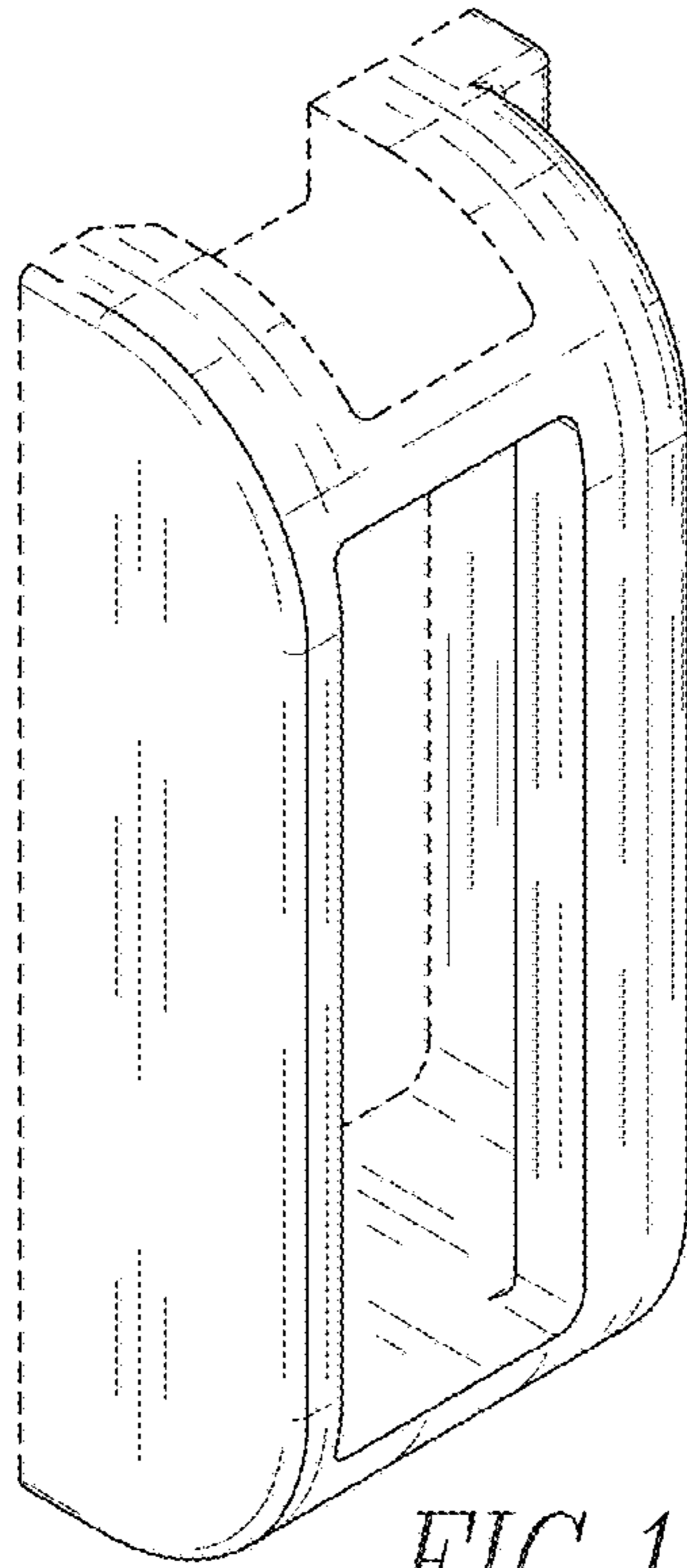
(56)

**References Cited**

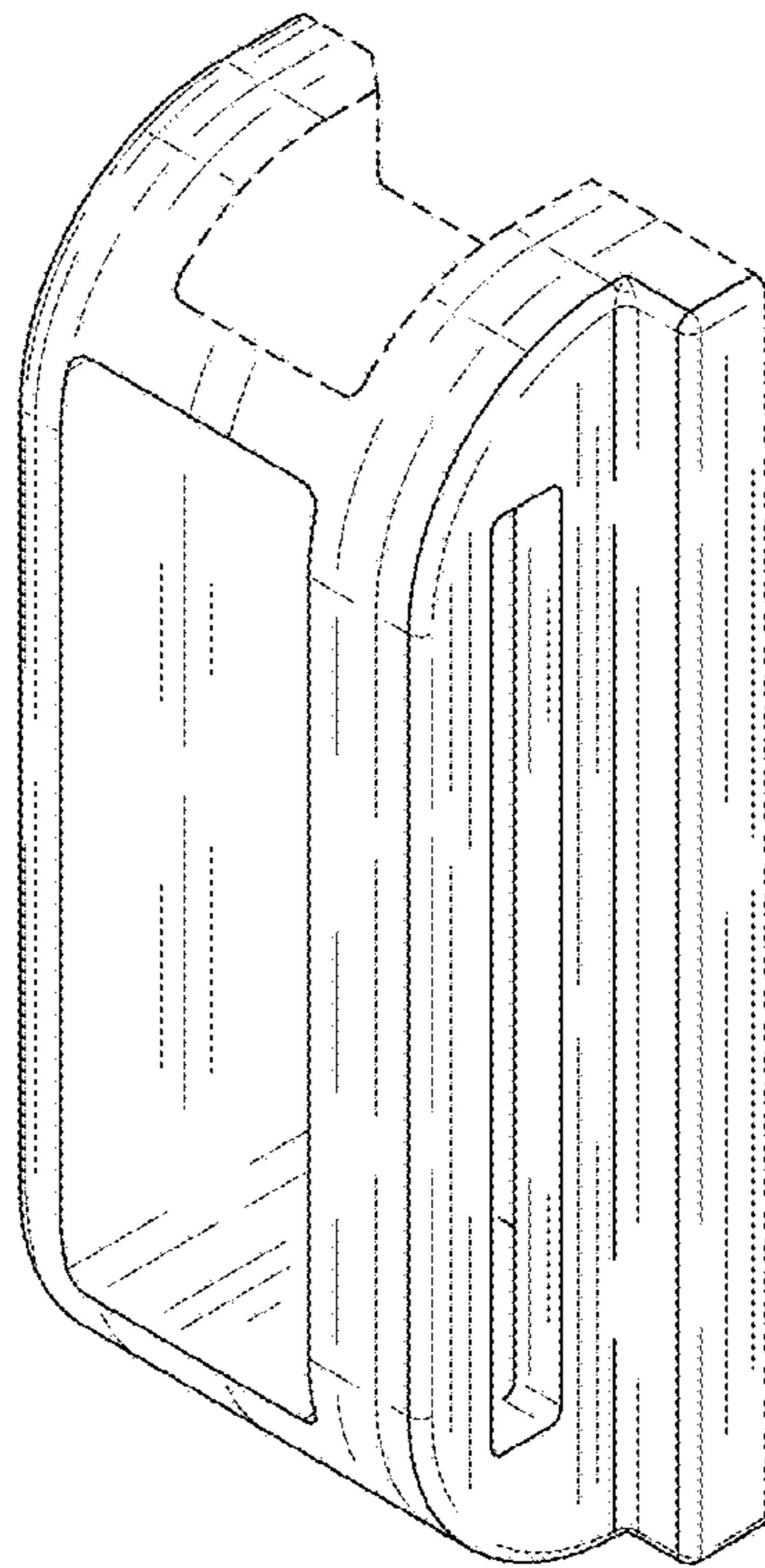
U.S. PATENT DOCUMENTS

6,437,268	B1 *	8/2002	Etscheidt .....	H01H 71/08 200/305
D463,378	S *	9/2002	Allada .....	D13/159
6,529,112	B1 *	3/2003	Leone .....	H01R 4/36 337/113
6,762,374	B2 *	7/2004	Pedrinelli .....	H01R 9/2633 200/16 A
6,930,577	B2 *	8/2005	Subramanian .....	H01H 1/2058 200/304
7,081,027	B2 *	7/2006	Woodward .....	H01R 9/24 174/86
7,250,836	B2 *	7/2007	Fleege .....	H01H 71/08 335/202
7,414,829	B2 *	8/2008	Dixon .....	H01H 1/5866 361/634
D606,493	S *	12/2009	Yuan .....	D13/133
7,766,704	B2 *	8/2010	Robinson .....	H01R 4/36 439/814
8,853,576	B2 *	10/2014	Sisley .....	H01H 77/00 200/304
9,543,085	B2 *	1/2017	Holland .....	H01H 1/365
2005/0250389	A1 *	11/2005	Johansen .....	H01R 9/2641 439/709
2010/0035464	A1 *	2/2010	Capaldi-Tallon ....	H01R 9/2608 439/532
2017/0069980	A1 *	3/2017	Hoppe .....	H01R 4/4836

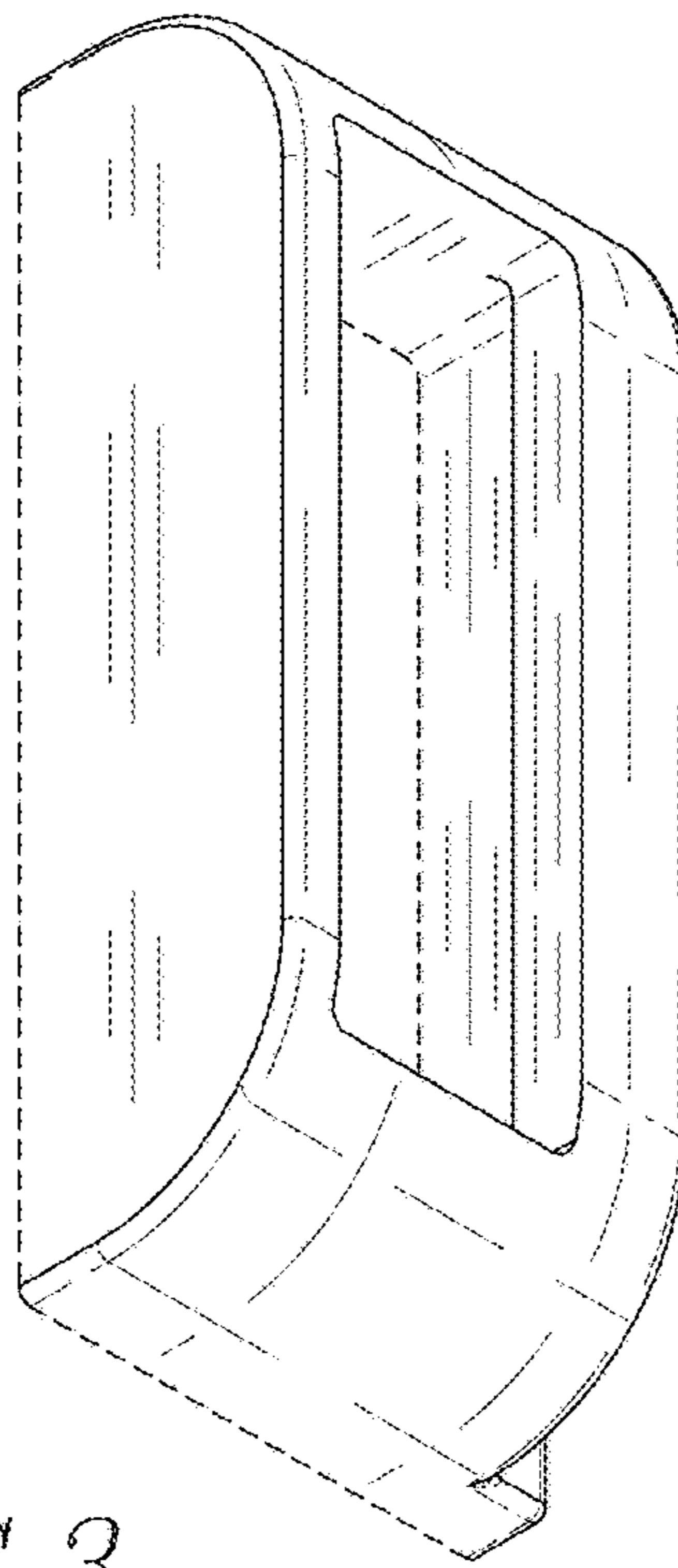
\* cited by examiner



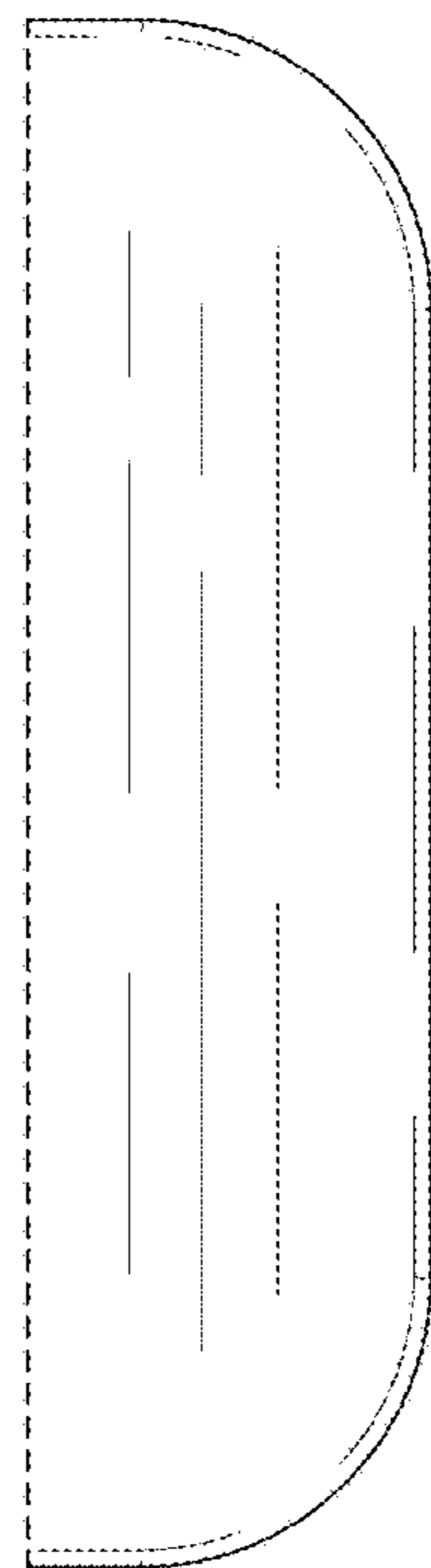
*FIG. 1*



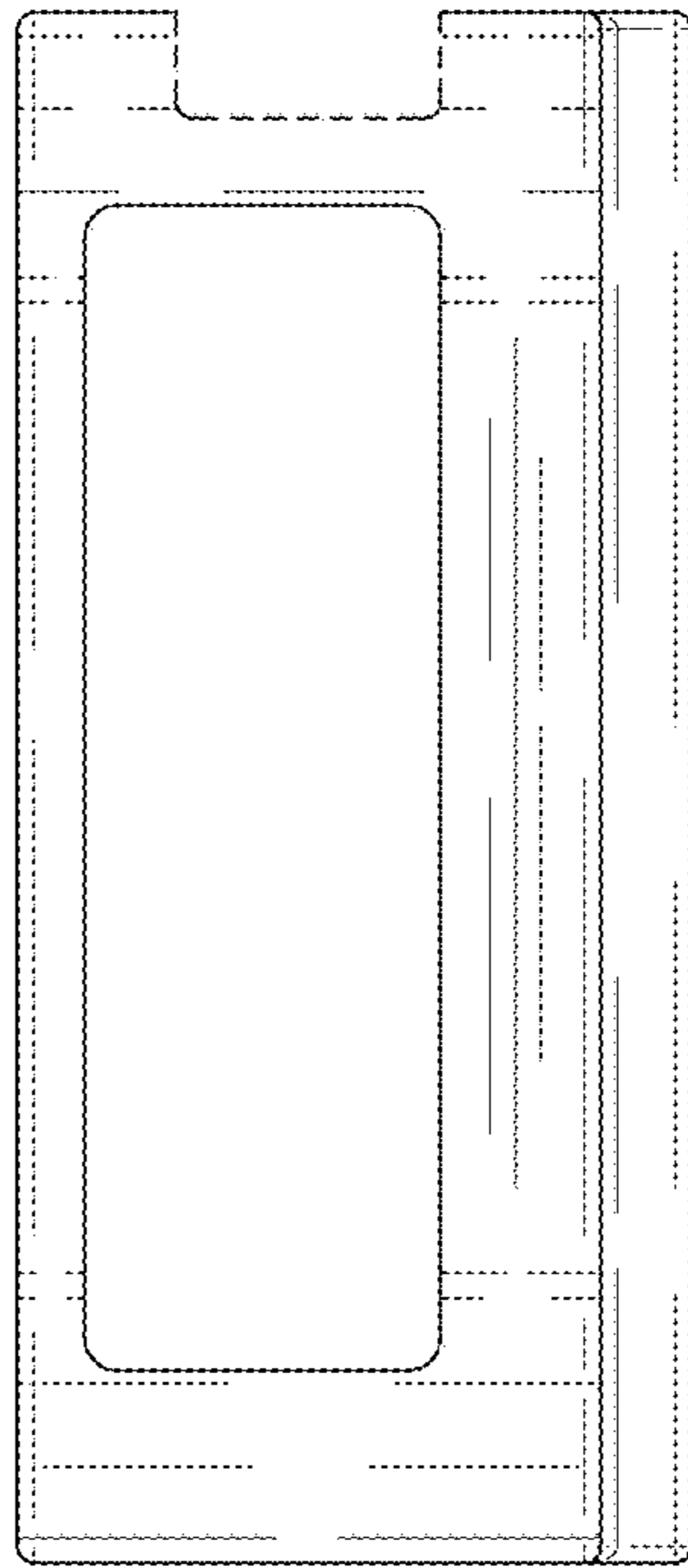
*FIG. 2*



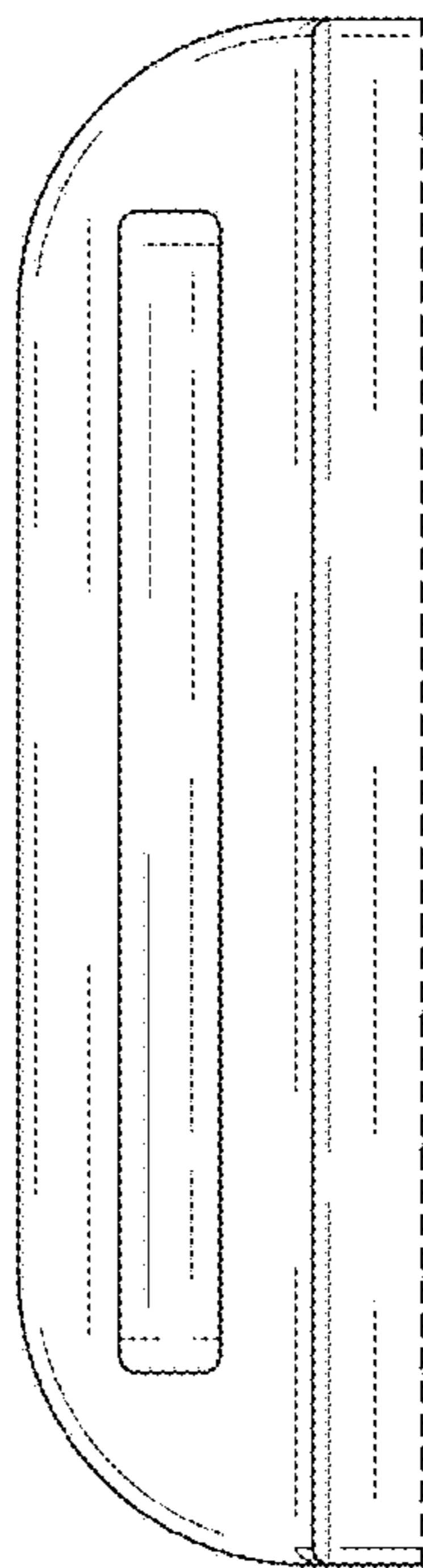
*FIG. 3*



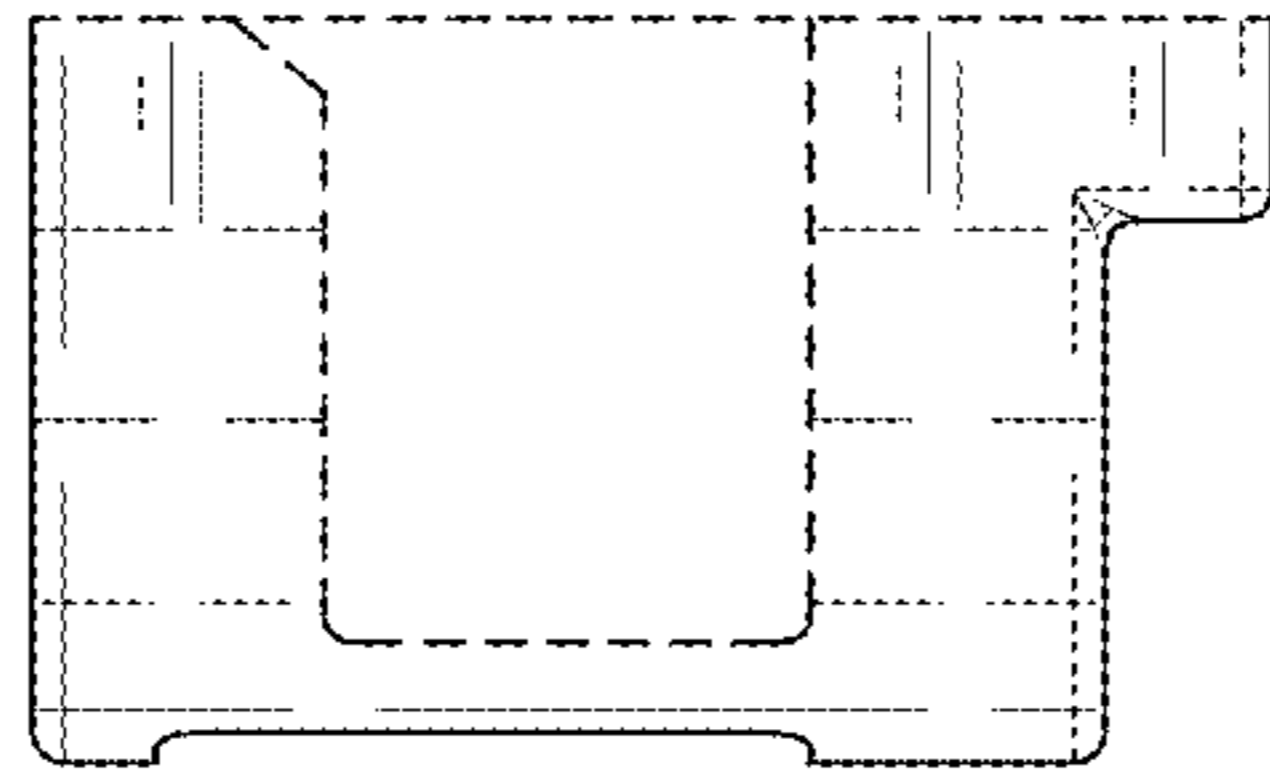
*FIG. 4*



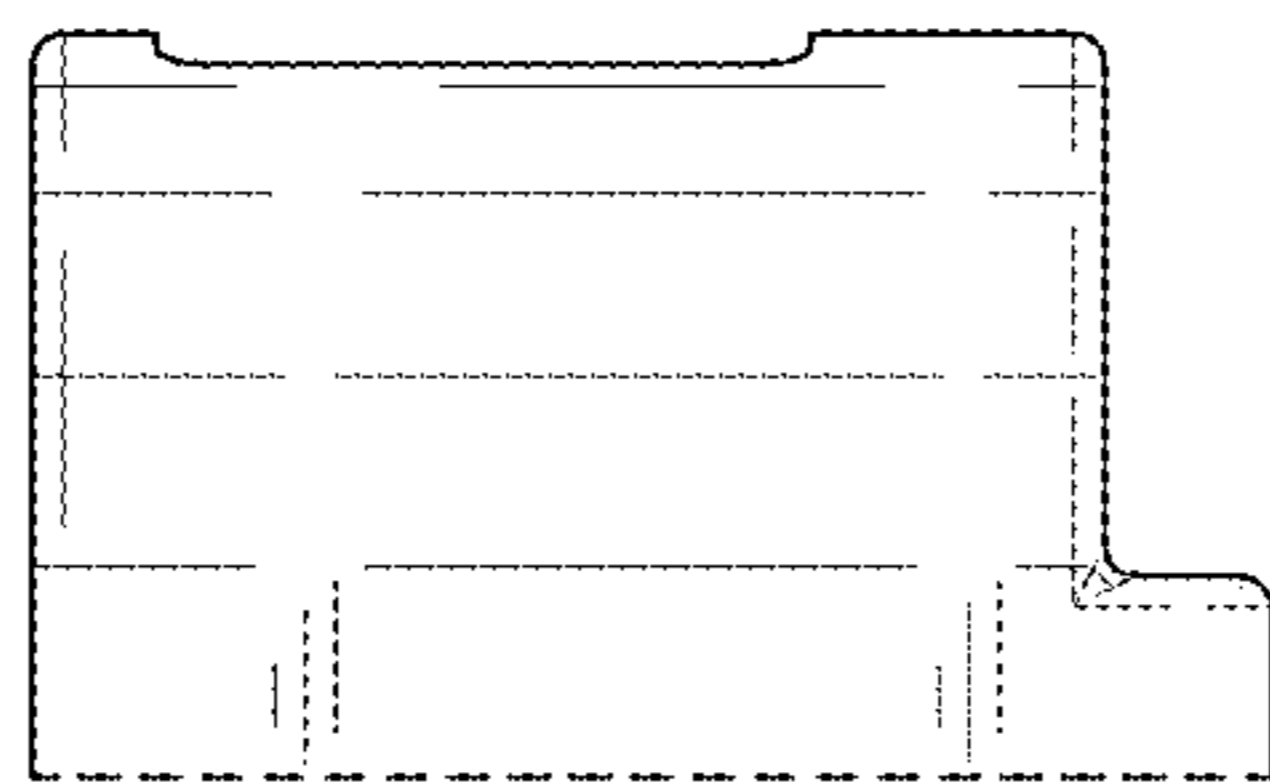
*FIG. 5*



*FIG. 6*



*FIG. 7*



*FIG. 8*