



US00D800670S

(12) **United States Design Patent** (10) **Patent No.:** **US D800,670 S**
Bradley et al. (45) **Date of Patent:** **** Oct. 24, 2017**

(54) **DISPLAY UNIT**
(71) Applicant: **General Electric Company,**
Schenectady, NY (US)
(72) Inventors: **Neil Patrick Bradley,** Lawrence Park,
PA (US); **Shreenath Shekar Perlaguri,**
Bangalore (IN); **Neil William Burkell,**
Lawrence Park, PA (US); **Jain Raj**
Vettuvazhy puthenpurayil, Bangalore
(IN)
(73) Assignee: **General Electric Company,**
Schenectady, NY (US)
(**) Term: **14 Years**

D381,590 S * 7/1997 Thoeni D10/49
D400,181 S * 10/1998 Floyd D13/162
D460,758 S * 7/2002 Goto D14/371
D553,096 S * 10/2007 Pfingsten D13/162
7,414,193 B1 * 8/2008 Le H05K 5/0204
174/50
D607,843 S * 1/2010 Borax D13/162
D642,992 S * 8/2011 Sasaki D13/164
D656,466 S * 3/2012 Chu D13/158
D697,873 S * 1/2014 Uitto D13/158
D707,145 S * 6/2014 McLean D10/100
D725,784 S * 3/2015 Xia D24/186
D734,276 S * 7/2015 Wiesbaum D13/164
D737,221 S * 8/2015 Andersson D13/158
D740,763 S * 10/2015 Wenji D13/162
9,207,639 B2 * 12/2015 Ratering G01N 29/0609
D757,632 S * 5/2016 Bradley D12/317
D762,497 S * 8/2016 Tanaka D10/50

* cited by examiner

(21) Appl. No.: **29/501,019**
(22) Filed: **Aug. 29, 2014**
(51) **LOC (10) Cl.** **13-03**
(52) **U.S. Cl.**
USPC **D13/164**
(58) **Field of Classification Search**
USPC D12/192, 300-318; 114/285, 343, 363,
114/364; D13/158, 162, 164, 168;
440/1, 2, 84; D15/28; D34/35; D10/78,
D10/103, 76, 80, 49; 439/489, 135-136,
439/540.1
CPC B63H 21/00; B63H 21/213; B63H 21/22;
F02B 61/00; F02B 61/045; H01H 13/70;
H01H 13/72; H01H 13/84; H01H 17/94;
H01H 17/945; H01H 17/965; H01H
17/967; G05B 19/02; G05B 19/04; G05B
19/10; G05B 19/18; G05B 19/418; B60K
35/00
See application file for complete search history.

Primary Examiner — Susan Bennett Hattan
Assistant Examiner — Camelia H Styles
(74) *Attorney, Agent, or Firm* — Global Patent Operation;
John A. Kramer

(57) **CLAIM**

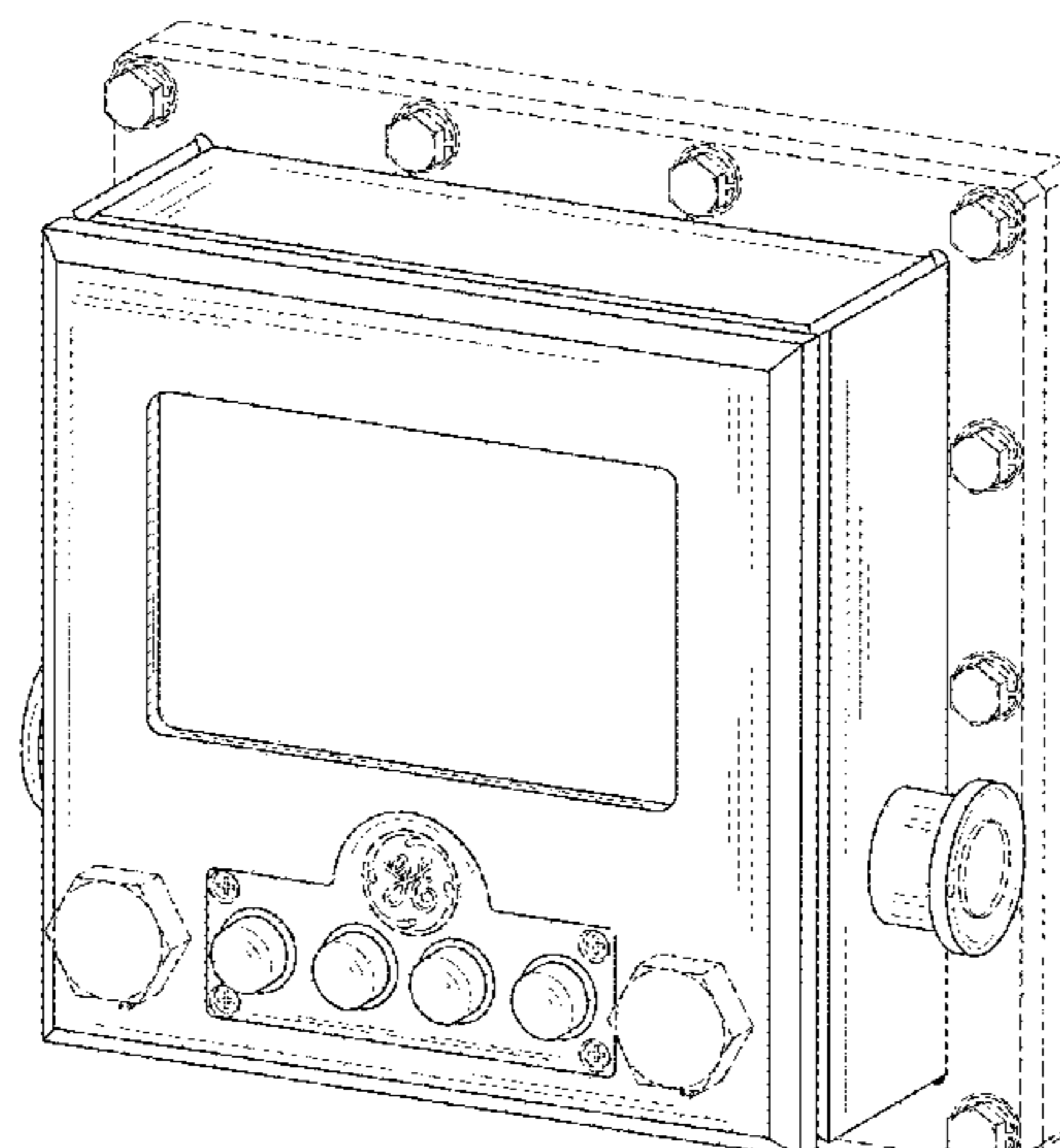
The ornamental design for a display unit, as shown and described.

DESCRIPTION

FIG. 1 is a perspective view of a display unit, showing our new design.
FIG. 2 is a front view of the display unit of FIG. 1.
FIG. 3 is a rear view of the display unit of FIG. 1.
FIG. 4 is a right view of the display unit of FIG. 1.
FIG. 5 is a left view of the display unit of FIG. 1.
FIG. 6 is a top view of the display unit of FIG. 1; and,
FIG. 7 is a bottom view of the display unit of FIG. 1.
The broken lines illustrate portions of the article that form no part of the claimed design.

(56) **References Cited**
U.S. PATENT DOCUMENTS
2,410,250 A 10/1946 Staples
D351,148 S * 10/1994 Rodd D14/374

1 Claim, 7 Drawing Sheets



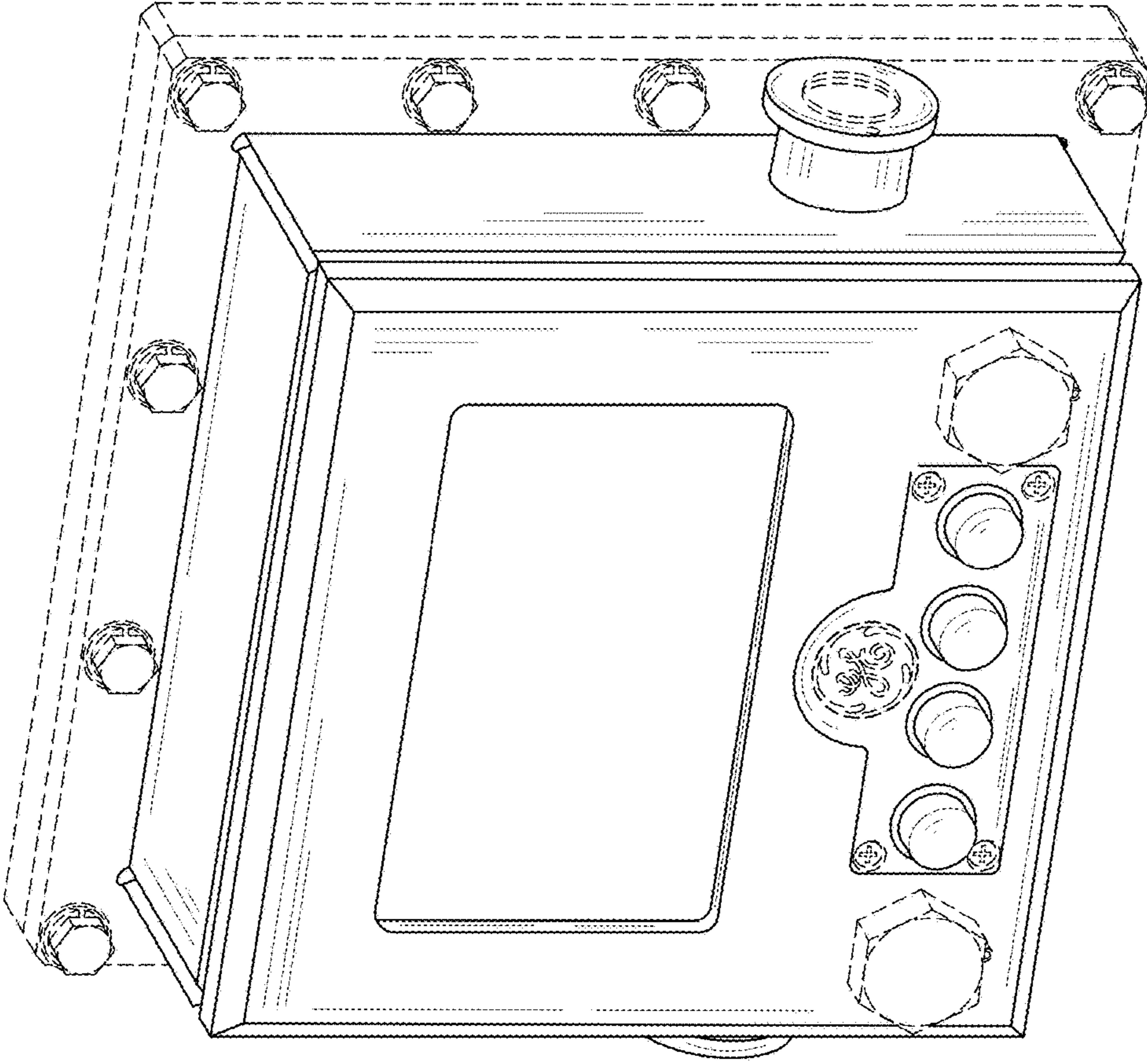


FIG. 1

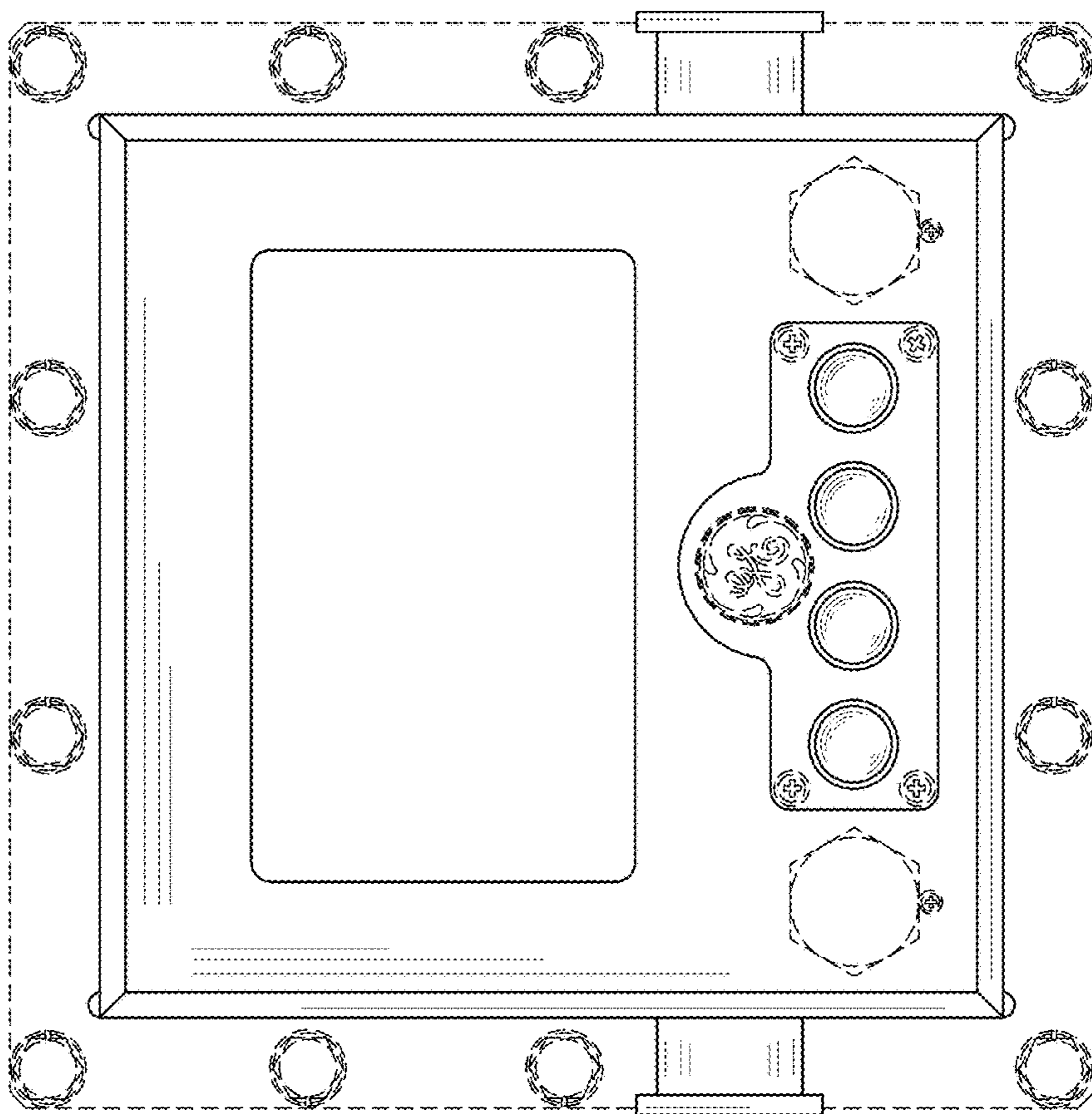


FIG. 2

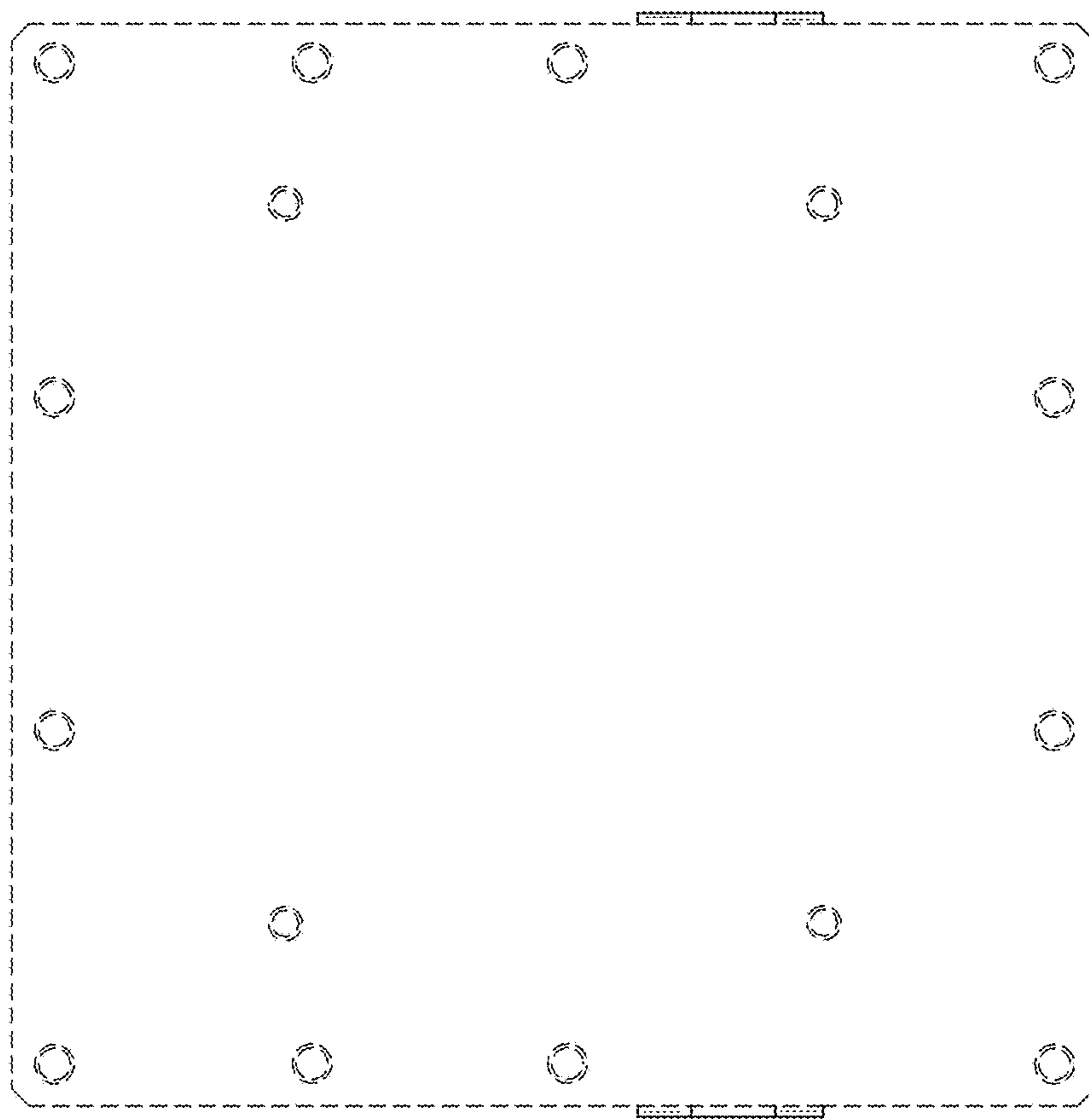


FIG. 3

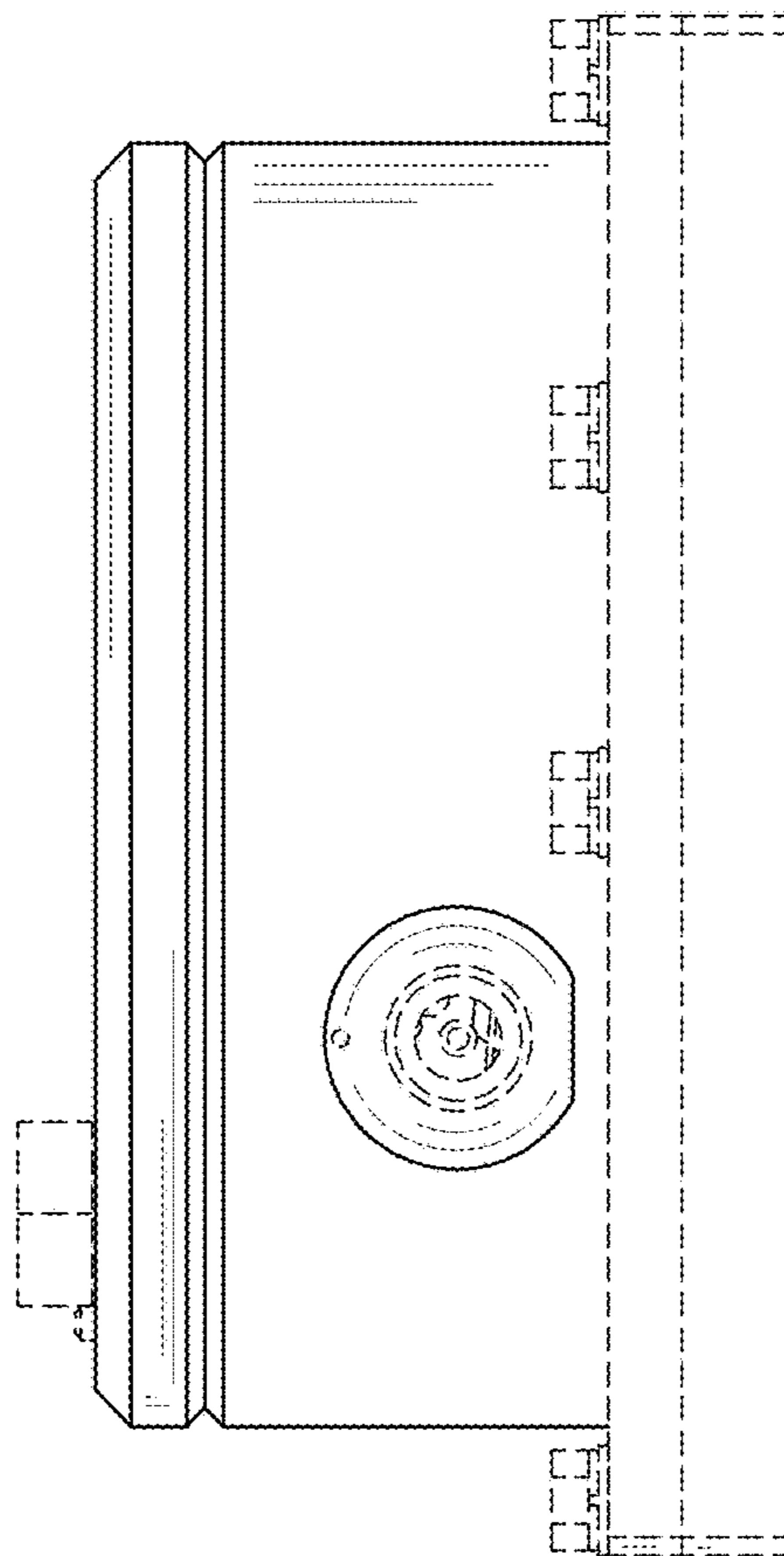


FIG. 4

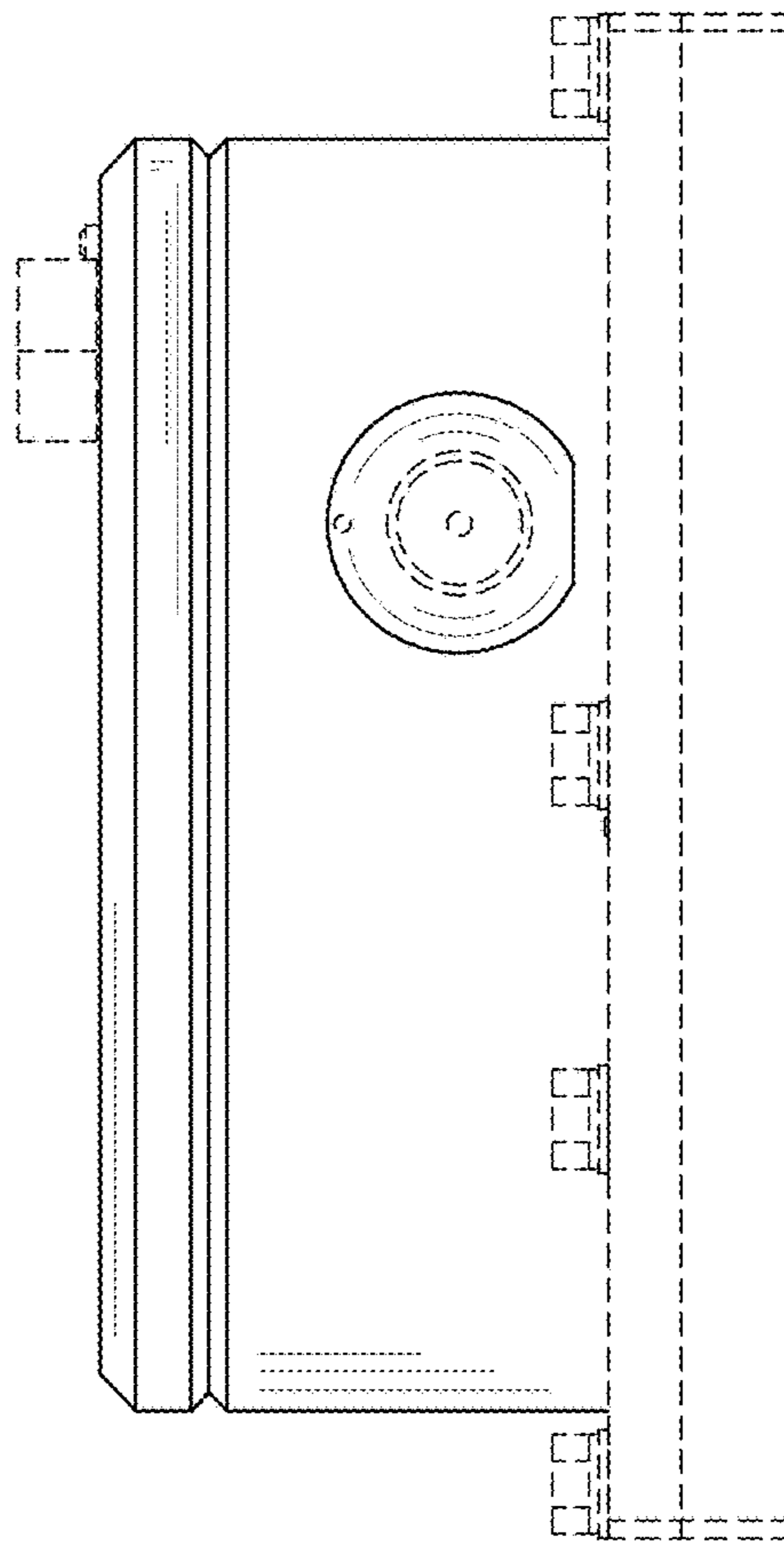


FIG. 5

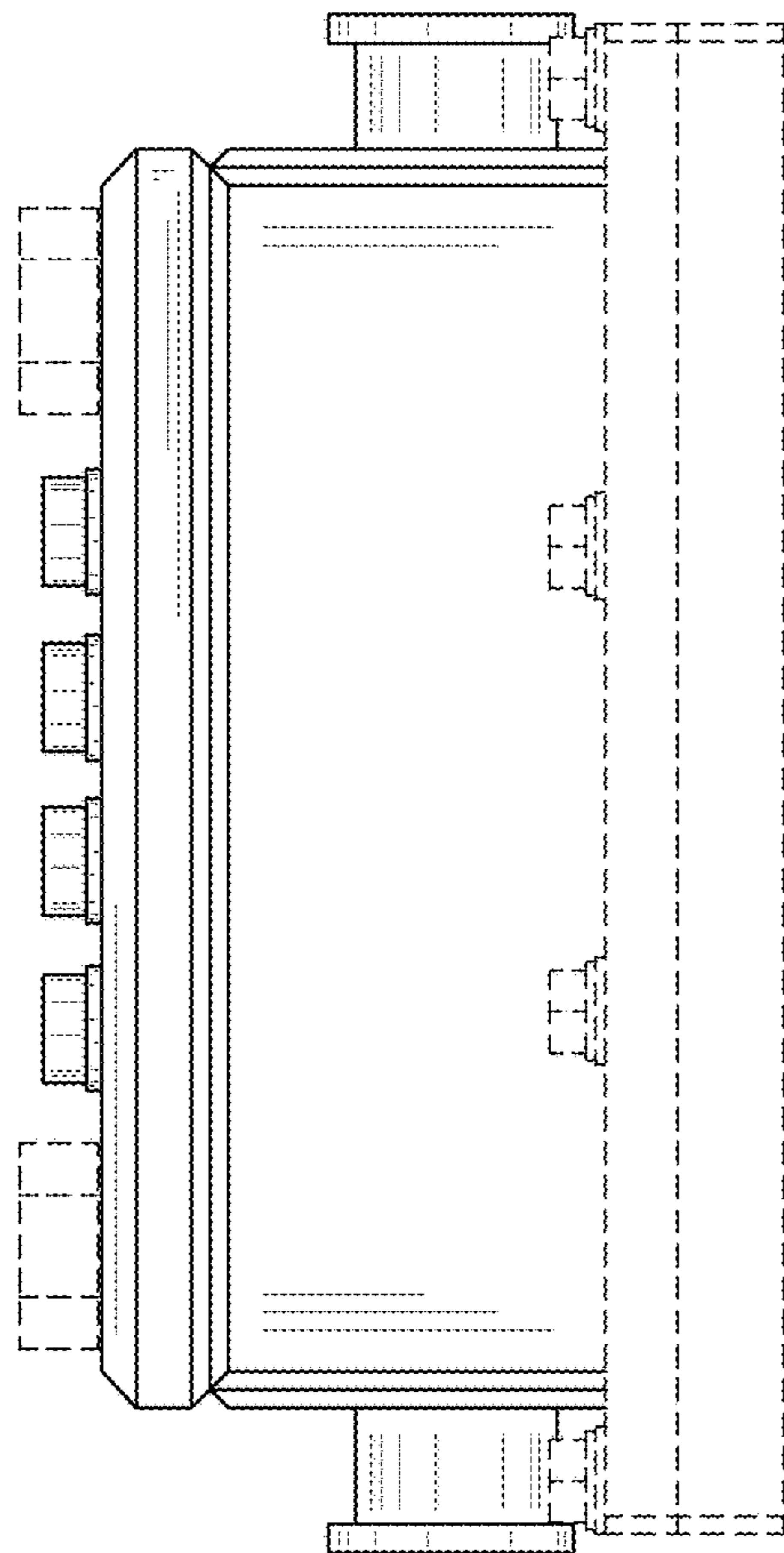


FIG. 6

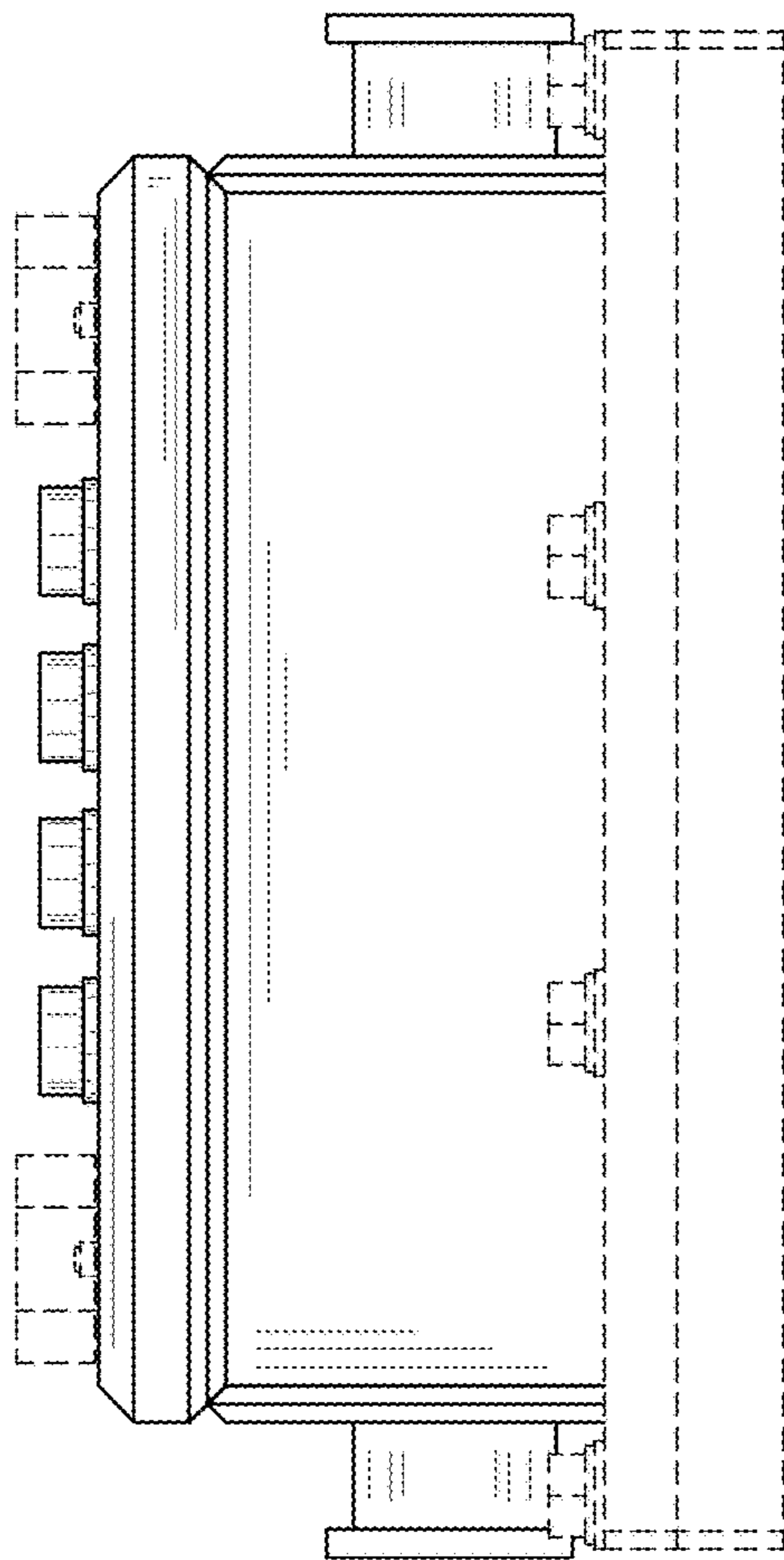


FIG. 7