



US00D800667S

(12) **United States Design Patent**  
**Stoving et al.**

(10) **Patent No.:** **US D800,667 S**

(45) **Date of Patent:** **\*\* Oct. 24, 2017**

(54) **MODULAR SWITCHGEAR INSULATION  
DEVICE**

(71) Applicants: **Paul Newcomb Stoving**, Oak Creek,  
WI (US); **Robert Raymond Schuetz**,  
West Allis, WI (US); **Rose Ellen  
Weisburgh**, Milwaukee, WI (US);  
**William Robert Luoma**, Franklin, WI  
(US); **Joseph Allen Carmichael**,  
Trevor, WI (US); **Brian Andrew  
Korves**, St. Francis, WI (US);  
**Laurence James Geist**, Mukwonago,  
WI (US)

(72) Inventors: **Paul Newcomb Stoving**, Oak Creek,  
WI (US); **Robert Raymond Schuetz**,  
West Allis, WI (US); **Rose Ellen  
Weisburgh**, Milwaukee, WI (US);  
**William Robert Luoma**, Franklin, WI  
(US); **Joseph Allen Carmichael**,  
Trevor, WI (US); **Brian Andrew  
Korves**, St. Francis, WI (US);  
**Laurence James Geist**, Mukwonago,  
WI (US)

(73) Assignee: **COOPER TECHNOLOGIES  
COMPANY**, Houston, TX (US)

(\*\*) Term: **14 Years**

(21) Appl. No.: **29/518,219**

(22) Filed: **Feb. 20, 2015**

(51) **LOC (10) Cl.** ..... **13-03**

(52) **U.S. Cl.**  
USPC ..... **D13/158**

(58) **Field of Classification Search**  
USPC ..... D13/110, 123, 133, 146, 147, 154, 156,  
D13/158-161, 173, 178, 184, 199  
(Continued)

(56) **References Cited**  
U.S. PATENT DOCUMENTS  
3,586,801 A 6/1971 Saito et al.  
3,590,184 A 6/1971 Wachta et al.  
(Continued)

FOREIGN PATENT DOCUMENTS  
KR 101080673 B1 11/2011  
WO 9904472 A1 1/1999  
(Continued)

OTHER PUBLICATIONS  
International Search Report and Written Opinion From Related  
Application No. PCT/US2015/016880, dated Jul. 9, 2015 (6 sheets).  
(Continued)

*Primary Examiner* — Thomas Johannes  
*Assistant Examiner* — Shawn T Gingrich  
(74) *Attorney, Agent, or Firm* — King & Spalding LLP

(57) **CLAIM**  
The ornamental design for a modular switchgear insulation  
device, as shown and described.

**DESCRIPTION**

FIG. 1 is a front elevation view of a first embodiment of a  
modular switchgear insulation device, showing our new  
design;  
FIG. 2 is a bottom perspective view thereof;  
FIG. 3 is a top perspective view thereof;  
FIG. 4 is a back elevation view thereof;  
FIG. 5 is a top plan view thereof;  
FIG. 6 is a bottom plan view thereof;  
(Continued)

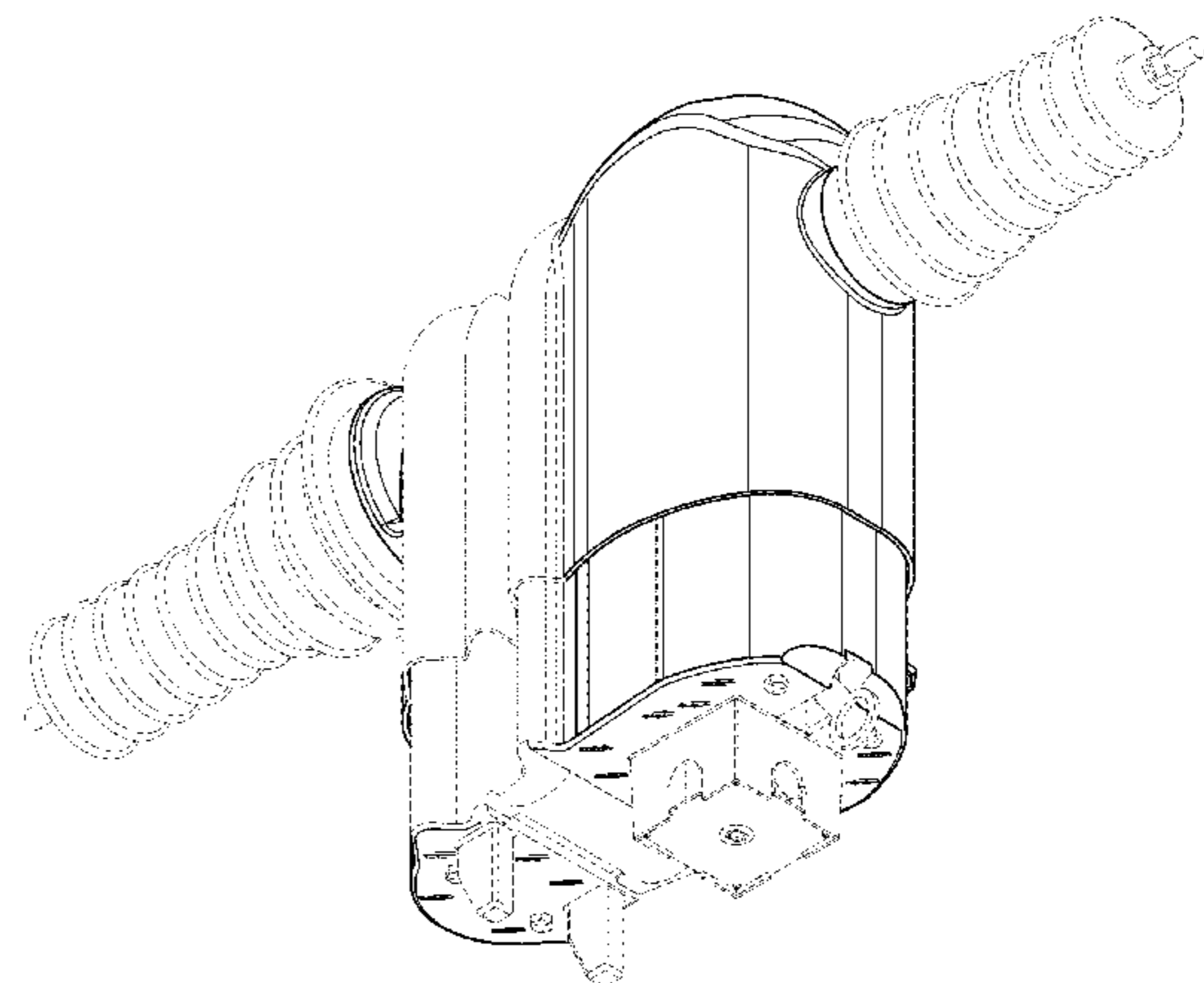
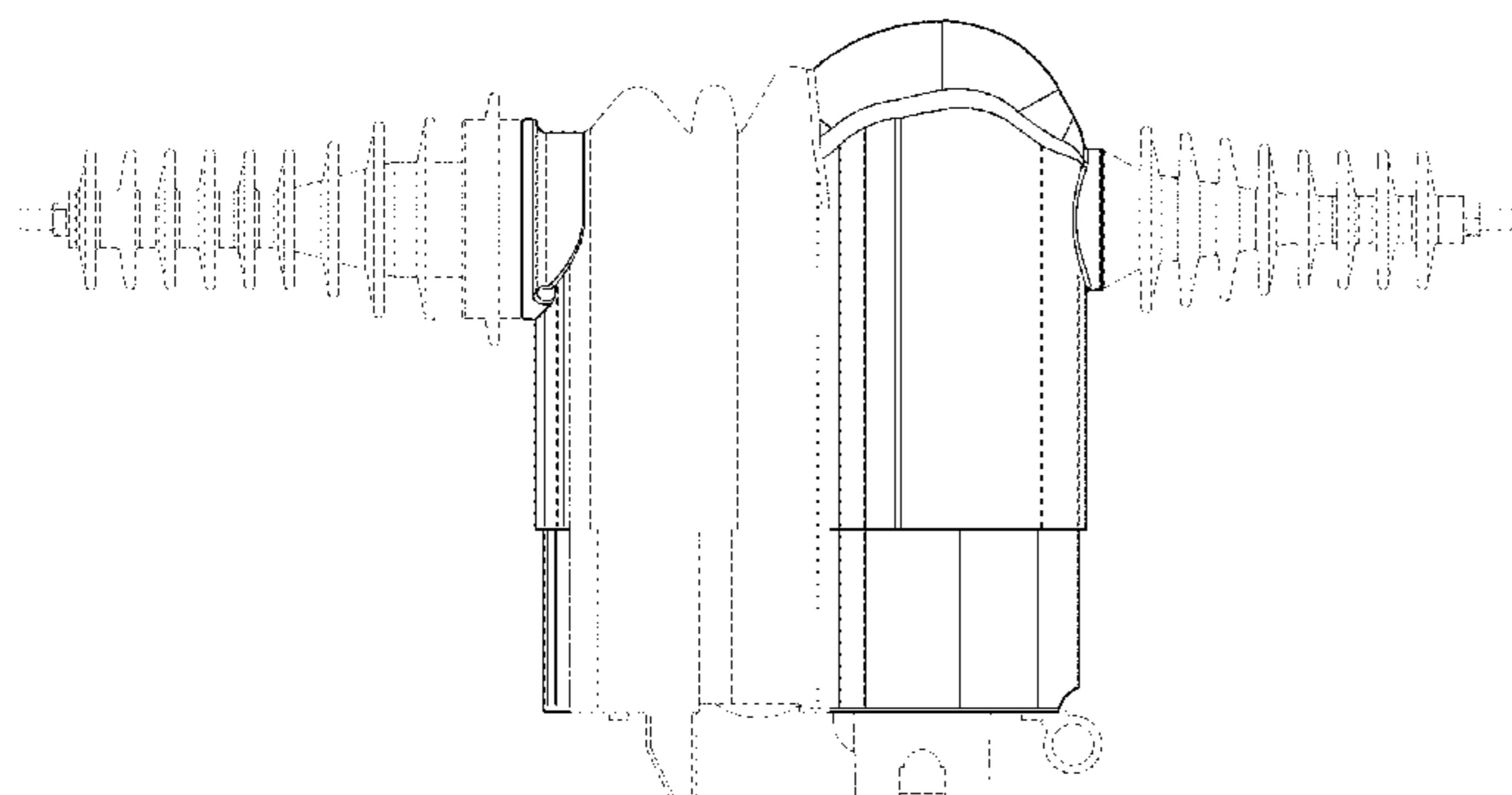


FIG. 7 is a right side elevation view thereof; and  
 FIG. 8 is a left side elevation view thereof.  
 FIG. 9 is a front elevation view of a second embodiment of a modular switchgear insulation device, showing our new design;  
 FIG. 10 is a bottom perspective view thereof;  
 FIG. 11 is a top perspective view thereof;  
 FIG. 12 is a back elevation view thereof;  
 FIG. 13 is a top plan view thereof;  
 FIG. 14 is a bottom plan view thereof;  
 FIG. 15 is a right side elevation view thereof; and  
 FIG. 16 is a left side elevation view thereof.  
 FIG. 17 is a front elevation view of a second embodiment of a modular switchgear insulation device, showing our new design;  
 FIG. 18 is a bottom perspective view thereof;  
 FIG. 19 is a top perspective view thereof;  
 FIG. 20 is a back elevation view thereof;  
 FIG. 21 is a top plan view thereof;  
 FIG. 22 is a bottom plan view thereof;  
 FIG. 23 is a right side elevation view thereof; and  
 FIG. 24 is a left side elevation view thereof.  
 FIG. 25 is a front elevation view of a fourth embodiment of a modular switchgear insulation device, showing our new design;  
 FIG. 26 is a bottom perspective view thereof;  
 FIG. 27 is a top perspective view thereof;  
 FIG. 28 is a back elevation view thereof;  
 FIG. 29 is a top plan view thereof;  
 FIG. 30 is a bottom plan view thereof;  
 FIG. 31 is a right side elevation view thereof; and,  
 FIG. 32 is a left side elevation view thereof.  
 The broken lines shown represent unclaimed subject matter and form no part of the claimed design. The dash-dot boundary lines shown indicate the claim boundary.

**1 Claim, 24 Drawing Sheets**

(58) **Field of Classification Search**

CPC ..... H01H 9/02; H01H 33/666; H01H 33/02;  
 H01H 31/28; H01H 77/00; H02B 13/075;  
 H02B 13/01  
 See application file for complete search history.

(56)

**References Cited**

U.S. PATENT DOCUMENTS

3,708,638 A 1/1973 Mitchell  
 4,079,217 A 3/1978 Oeschger  
 4,568,804 A 2/1986 Luehring

5,269,055	A	12/1993	Kessi	
5,576,523	A	11/1996	Meyer	
5,585,611	A	12/1996	Harvey et al.	
5,597,992	A	1/1997	Walker	
5,747,765	A	5/1998	Bestel et al.	
5,808,258	A	9/1998	Luzzi	
5,917,167	A	6/1999	Bestel	
6,130,394	A	10/2000	Hogl	
6,172,317	B1	1/2001	Wristen	
6,310,310	B1	10/2001	Wristen	
6,410,867	B1	6/2002	Meyer	
6,414,257	B1	7/2002	Luscan	
6,495,785	B1	12/2002	Meyer	
6,747,234	B2	6/2004	Traska et al.	
6,760,206	B2	7/2004	Daharsh et al.	
6,828,521	B2	12/2004	Stoving et al.	
6,867,385	B2	3/2005	Stoving et al.	
6,946,614	B2	9/2005	McKean et al.	
7,148,441	B2	12/2006	Daharsh et al.	
7,310,221	B2	12/2007	Lammers	
7,473,863	B2	1/2009	Schreiber et al.	
7,488,916	B2	2/2009	Muench et al.	
7,772,515	B2	8/2010	Stoving et al.	
7,820,926	B2	10/2010	Kowalyshe et al.	
7,852,180	B2	12/2010	Gentsch et al.	
8,450,630	B2	5/2013	Stoving	
D722,030	S *	2/2015	Opfer .....	D13/158
2004/0050820	A1	3/2004	McKean et al.	
2005/0082260	A1	4/2005	Martin	
2005/0092713	A1	5/2005	Chyla et al.	
2006/0011589	A1	1/2006	Hering et al.	
2006/0231529	A1	10/2006	Daharsh et al.	
2008/0000879	A1	1/2008	Steffens et al.	
2010/0170774	A1	7/2010	Einschenk et al.	
2010/0314357	A1	12/2010	Kobayashi et al.	
2011/0155697	A1	6/2011	Lee	
2013/0092658	A1 *	4/2013	Ache .....	H01H 33/66207 218/139
2013/0126479	A1	5/2013	Shang	
2013/0213938	A1	8/2013	Bramhapurikar et al.	
2013/0228432	A1	9/2013	Borgstrom et al.	
2013/0284704	A1	10/2013	Gentsch	
2014/0138357	A1	5/2014	Kasza et al.	
2015/0102013	A1	4/2015	Yamazaki et al.	
2015/0180224	A1 *	6/2015	Arioka .....	H02H 7/222 361/118
2015/0235790	A1 *	8/2015	Stoving .....	H01H 33/66261 218/137

FOREIGN PATENT DOCUMENTS

WO 0041199 A1 7/2000  
 WO 0150561 A1 7/2001

OTHER PUBLICATIONS

Slade, Paul G., "The Vacuum Interrupter: Theory, Design and Application," CRC Press, 2008 (summary oniy) 3 sheets.

\* cited by examiner

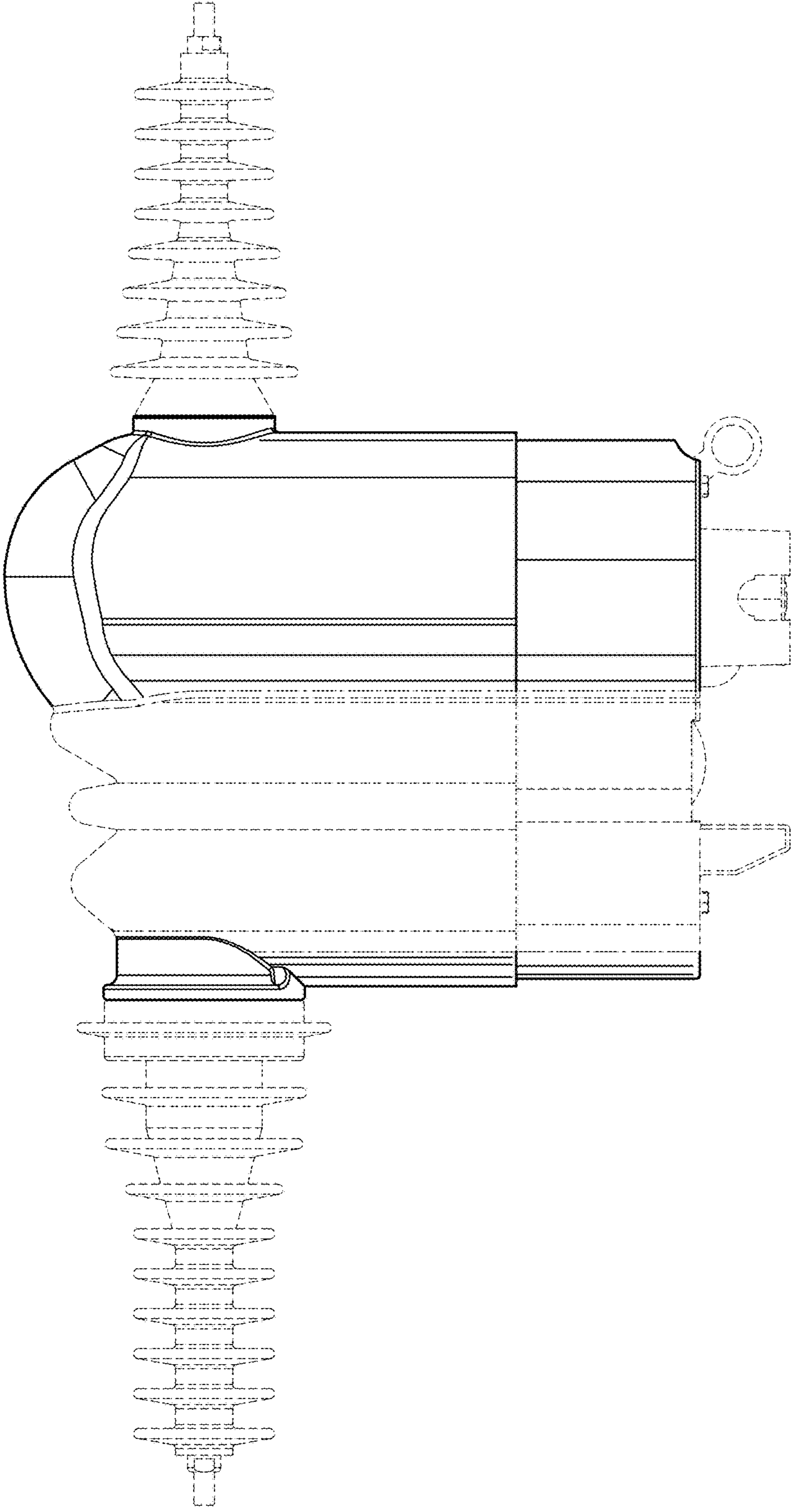


FIG. 1

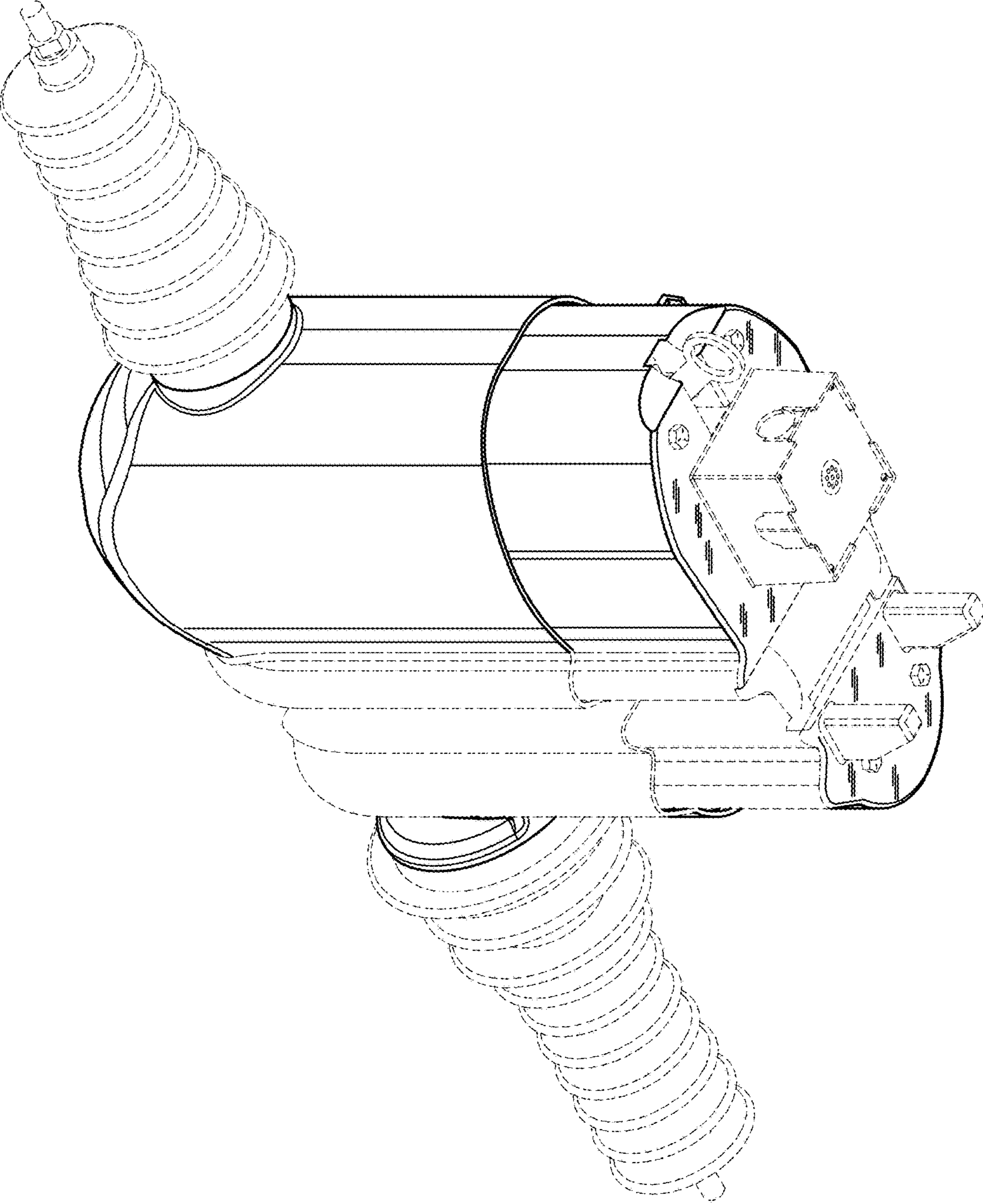


FIG. 2

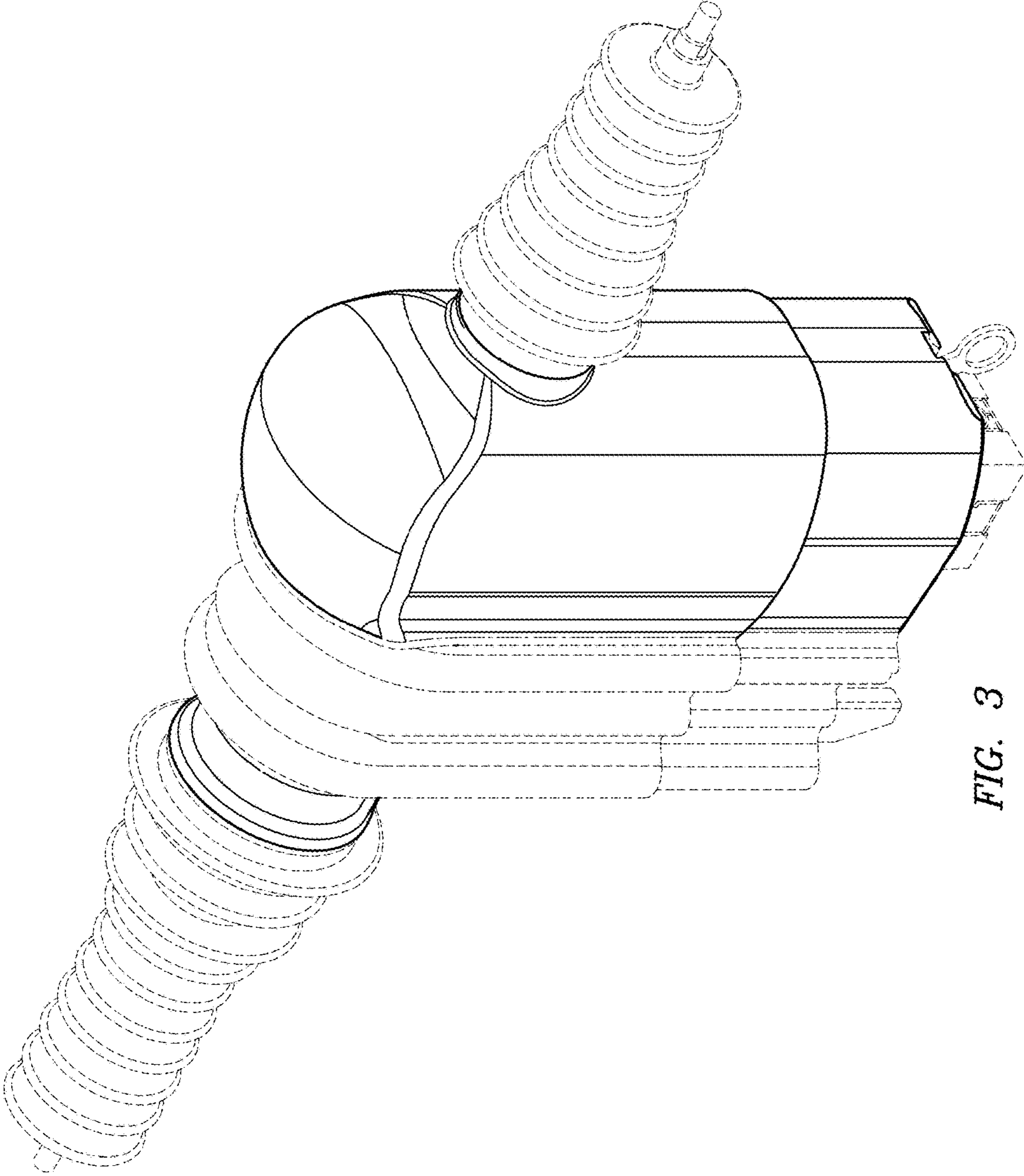


FIG. 3

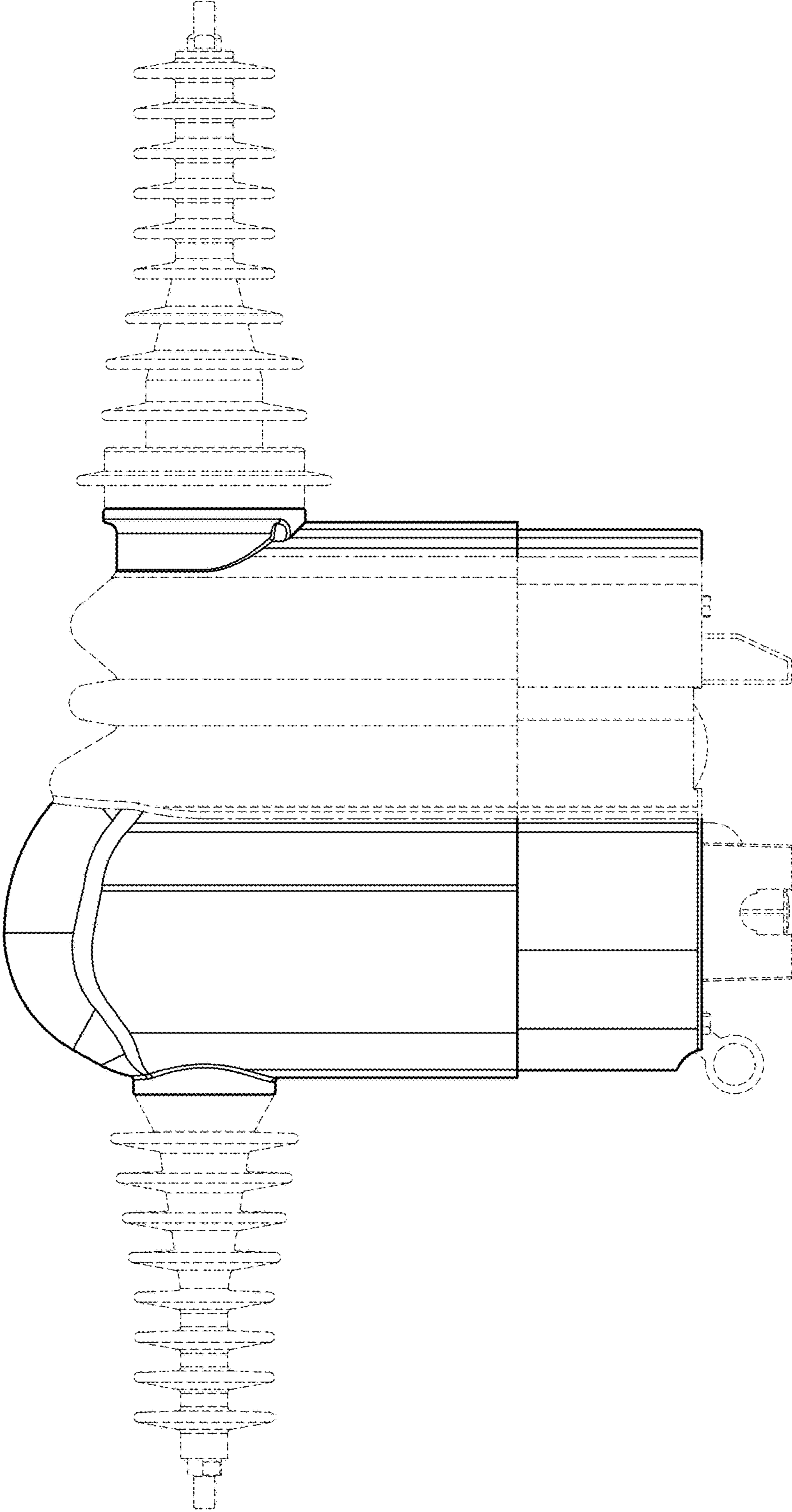


FIG. 4

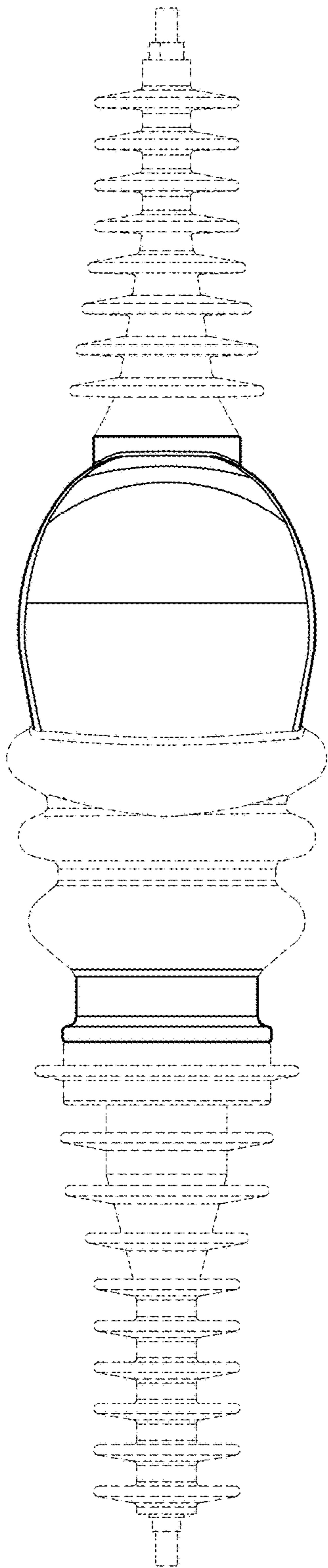


FIG. 5

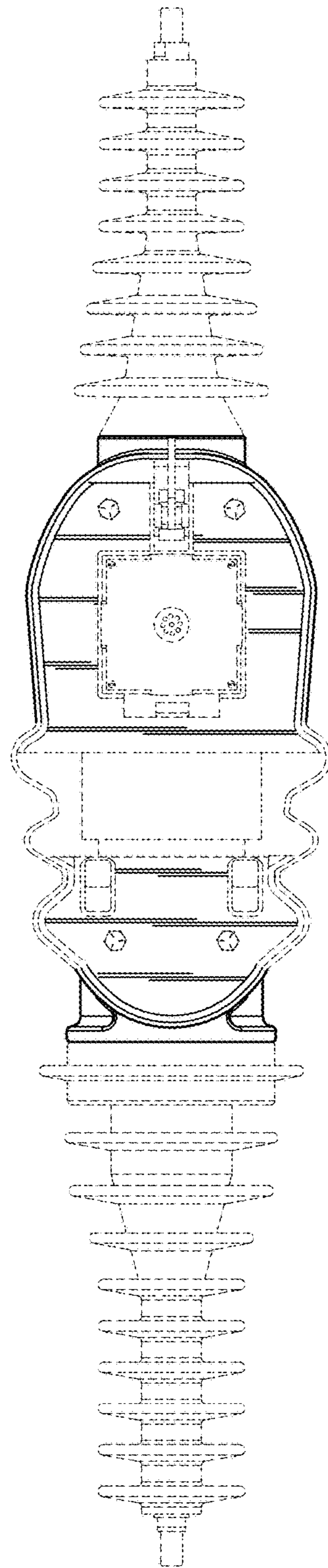


FIG. 6

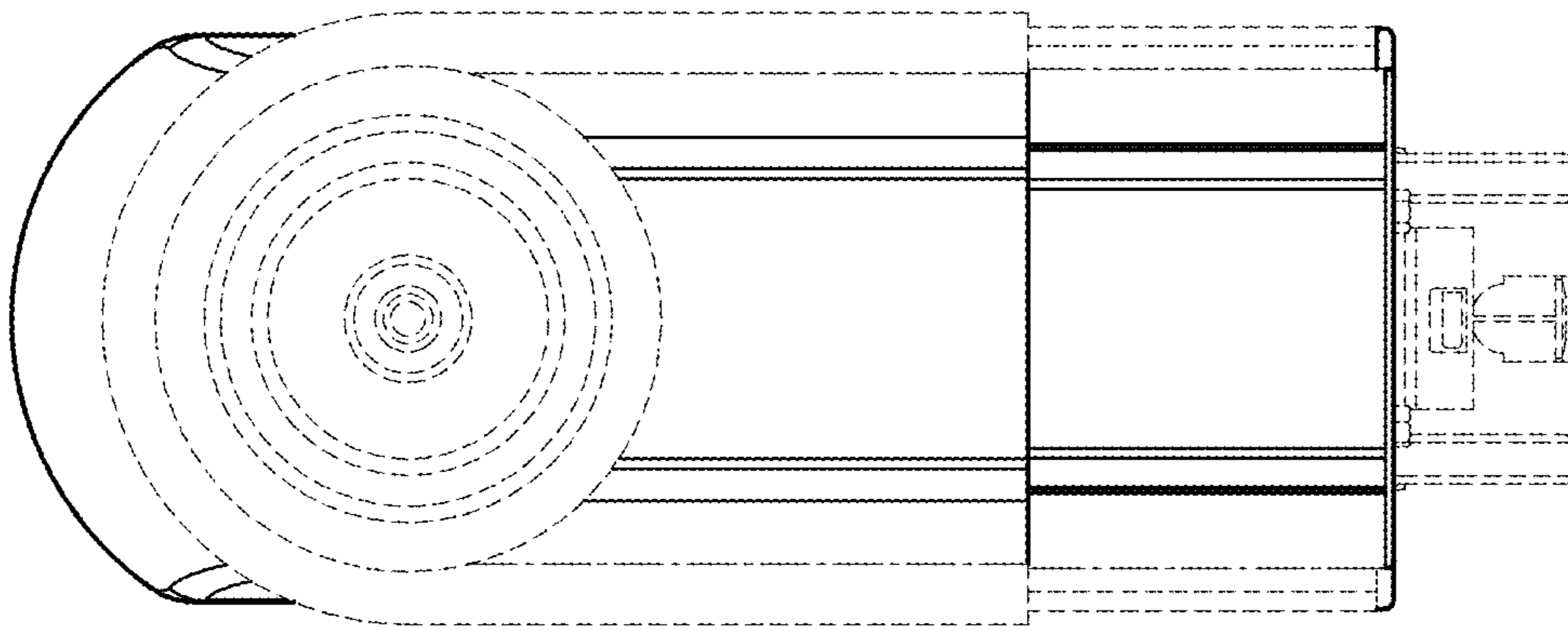


FIG. 7

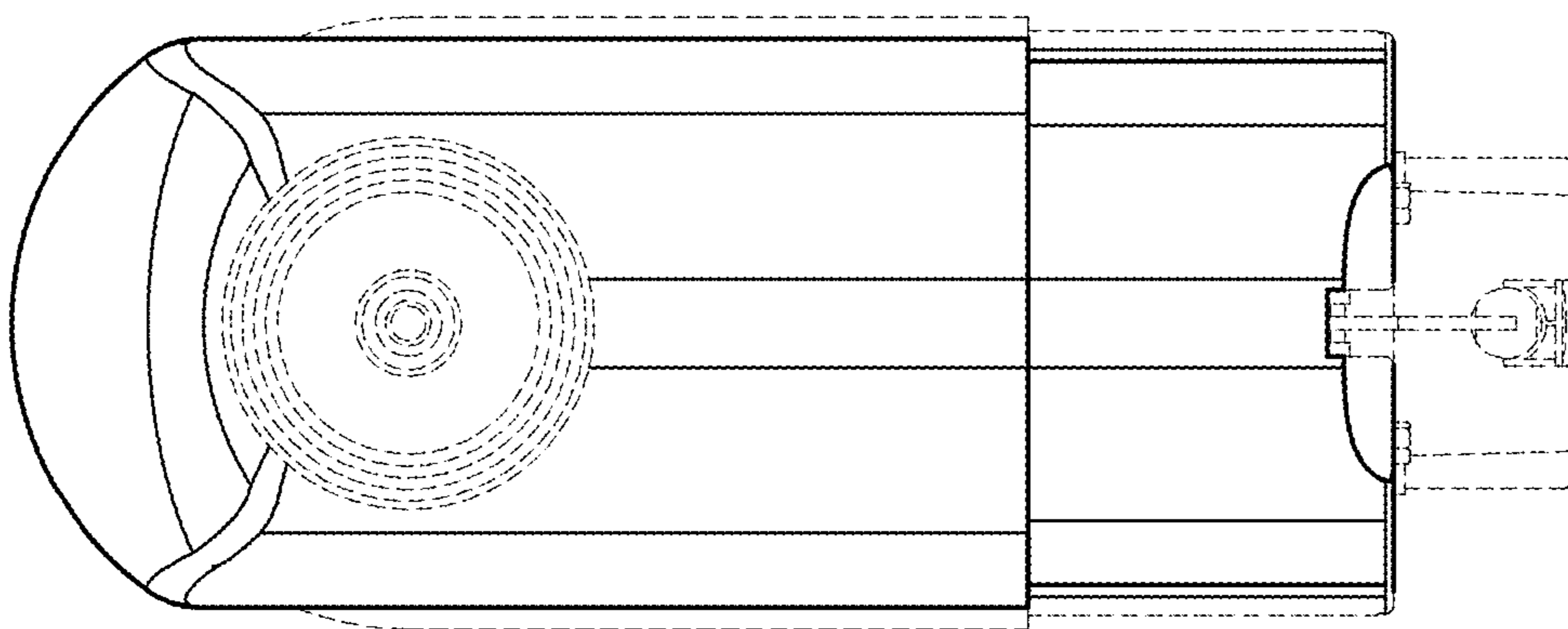


FIG. 8



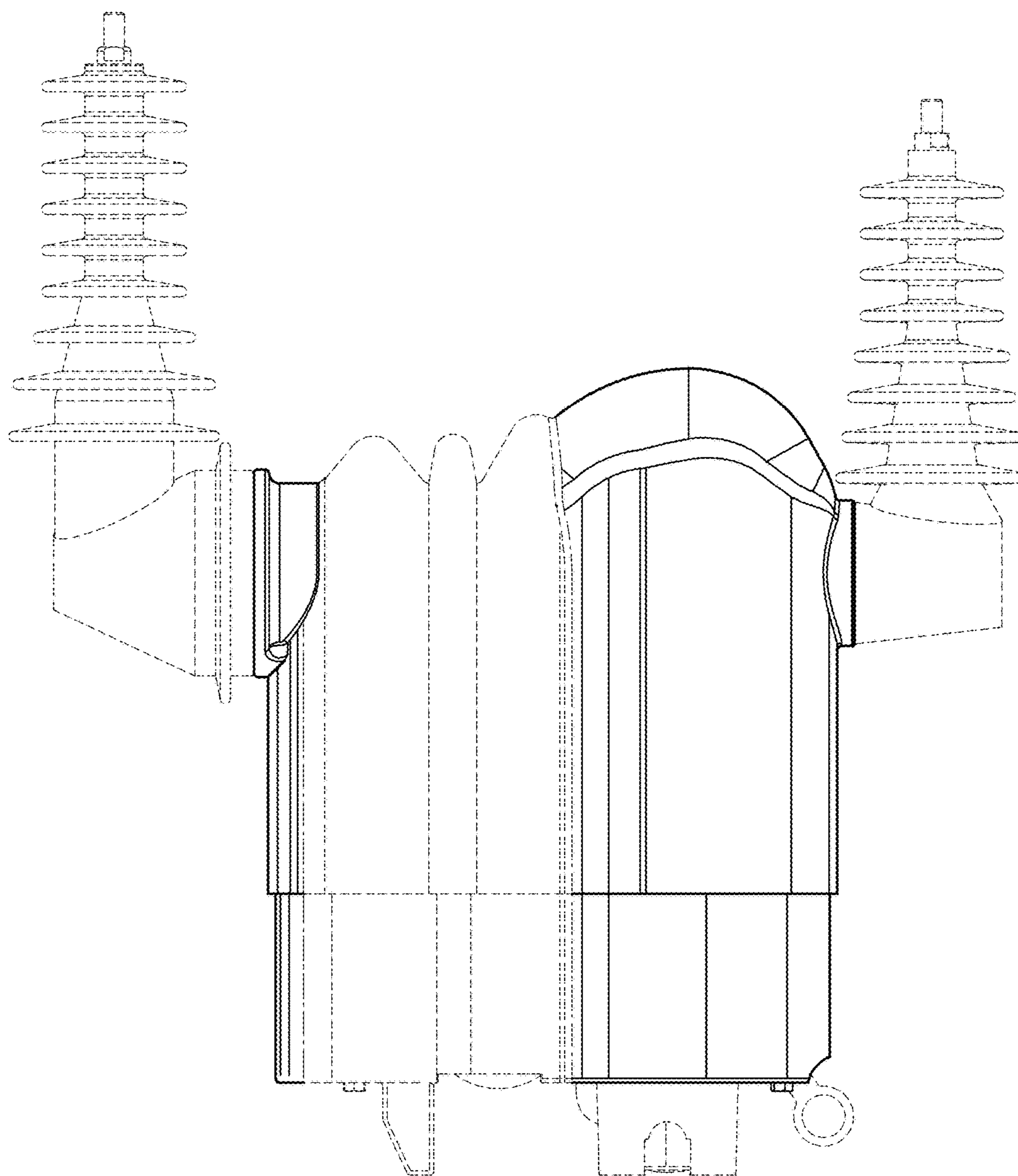


FIG. 9

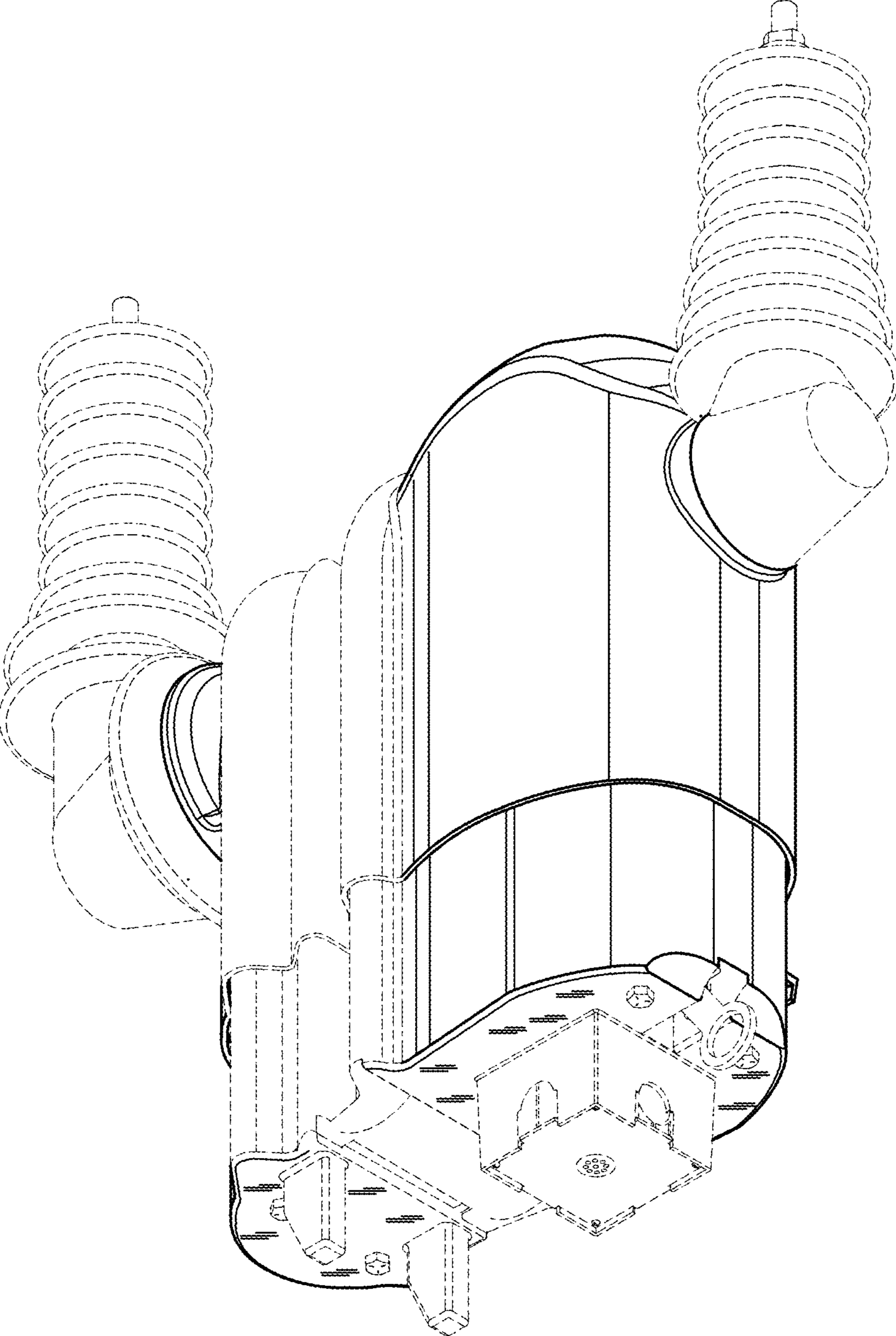


FIG. 10

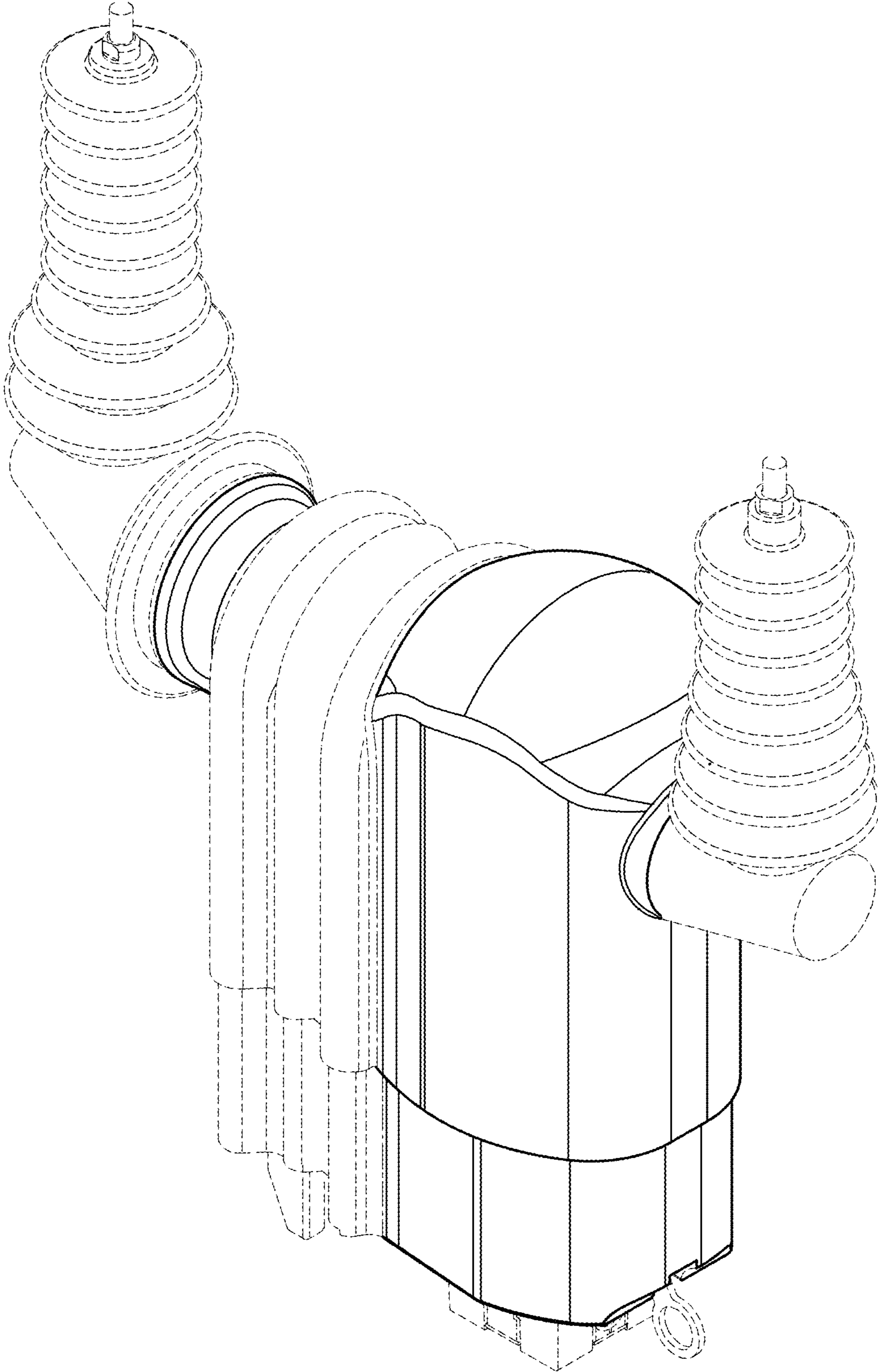


FIG. 11

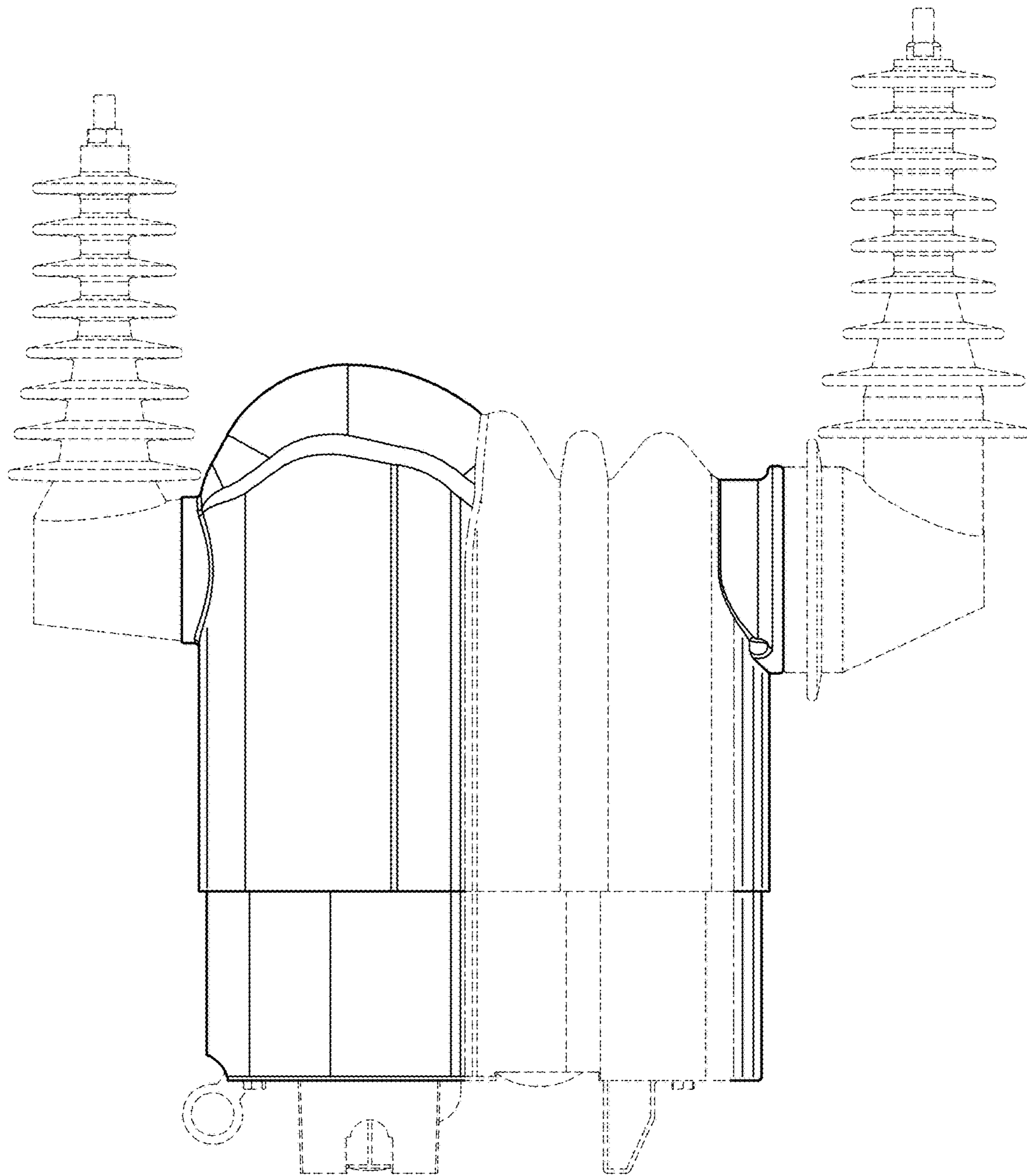


FIG. 12

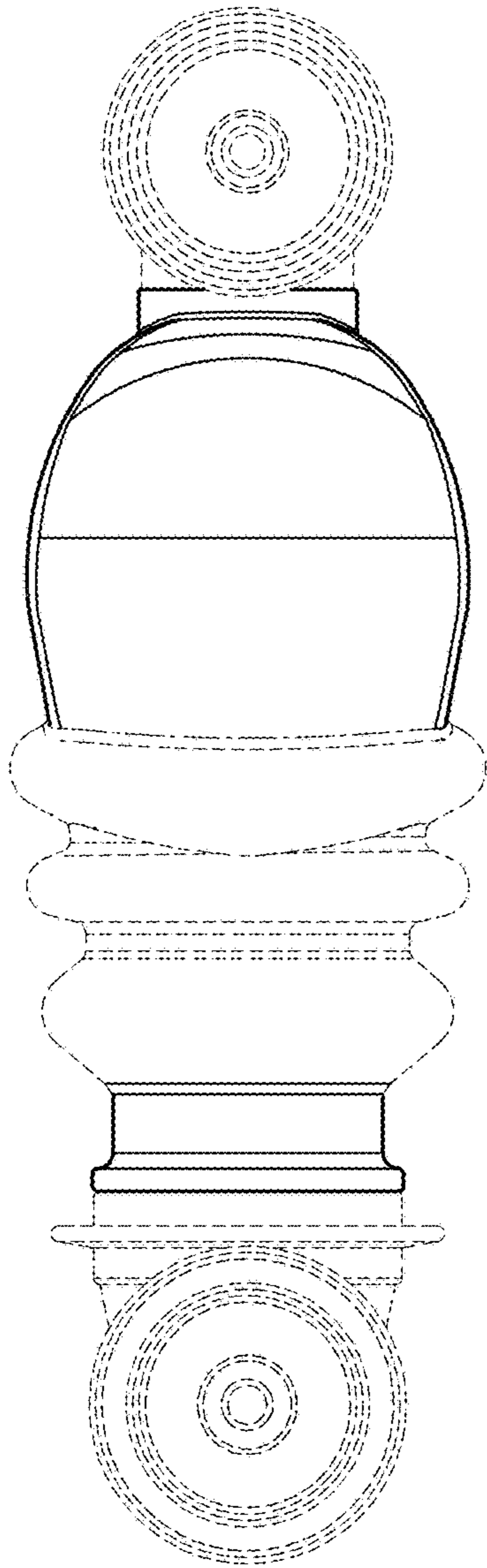


FIG. 13

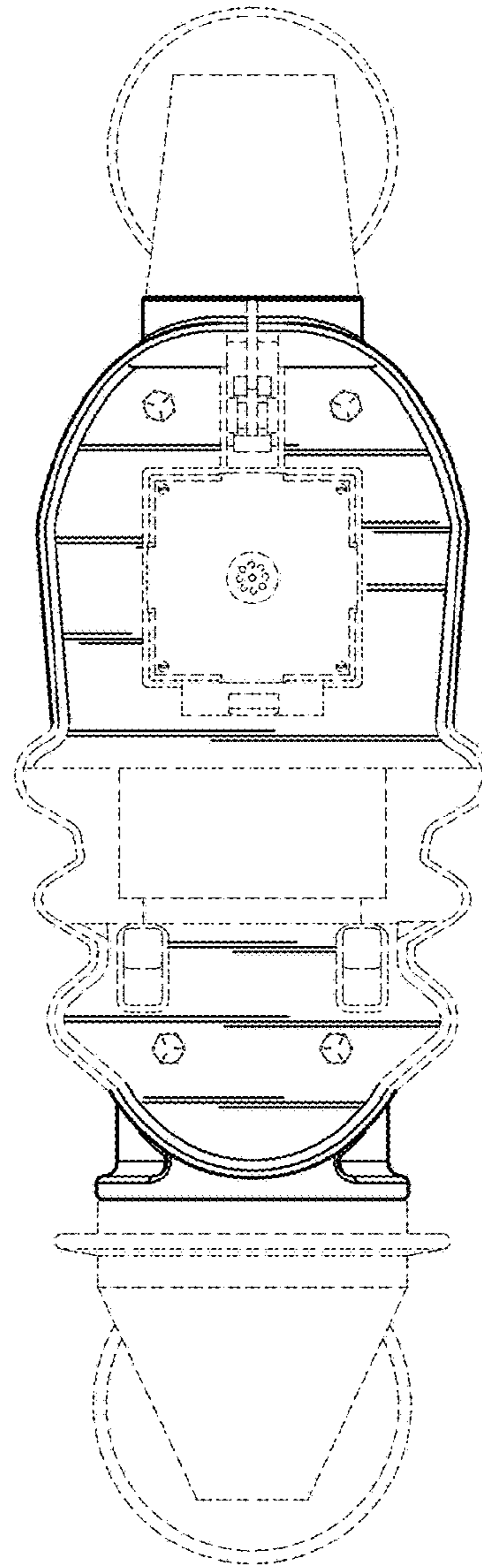


FIG. 14

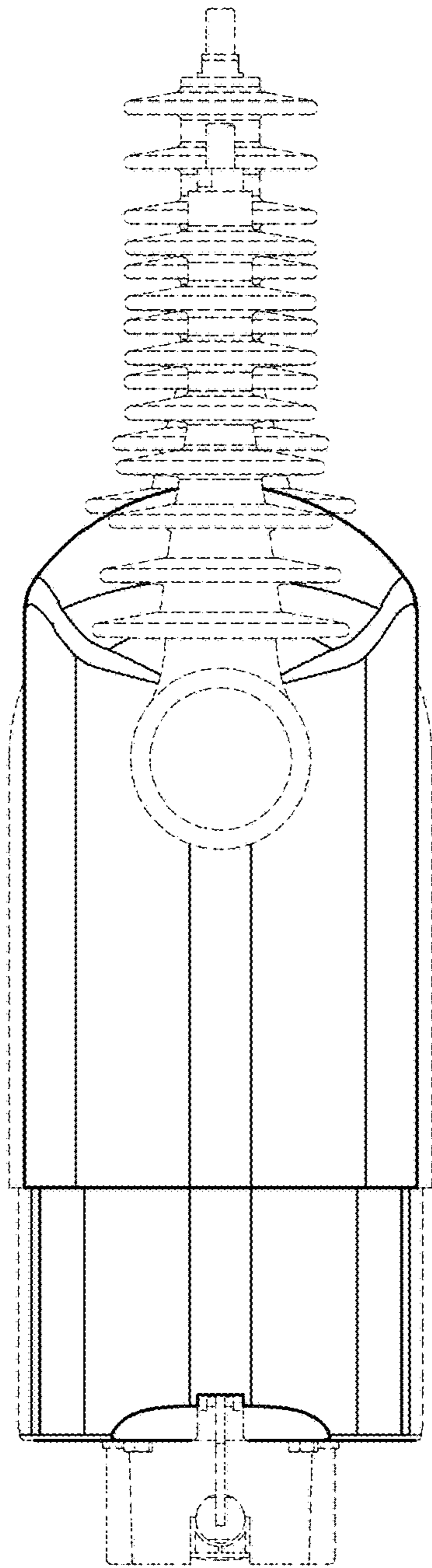


FIG. 15

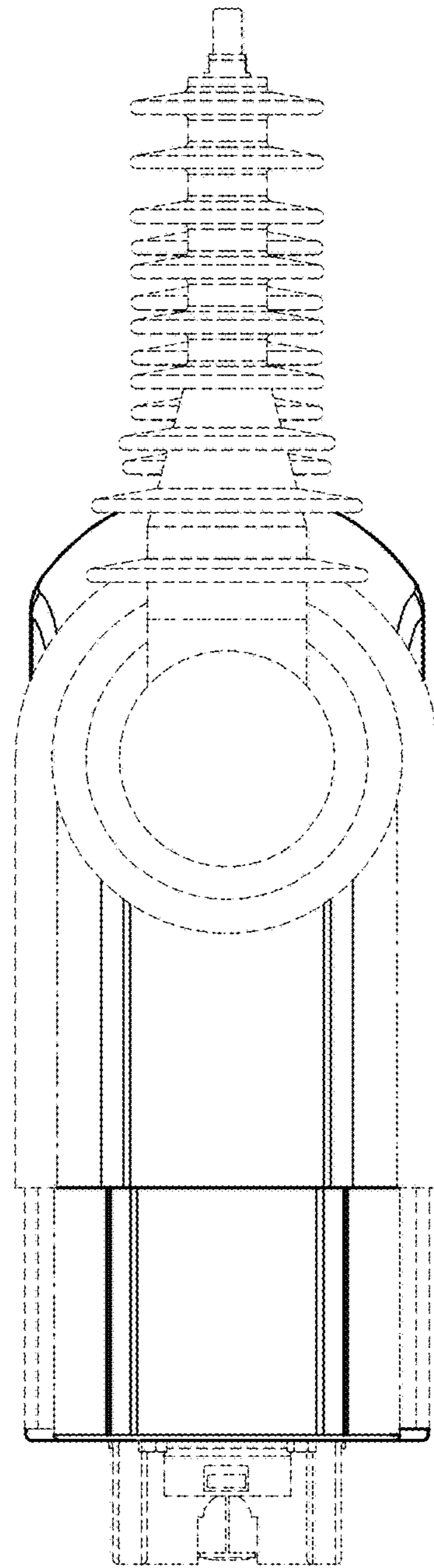


FIG. 16

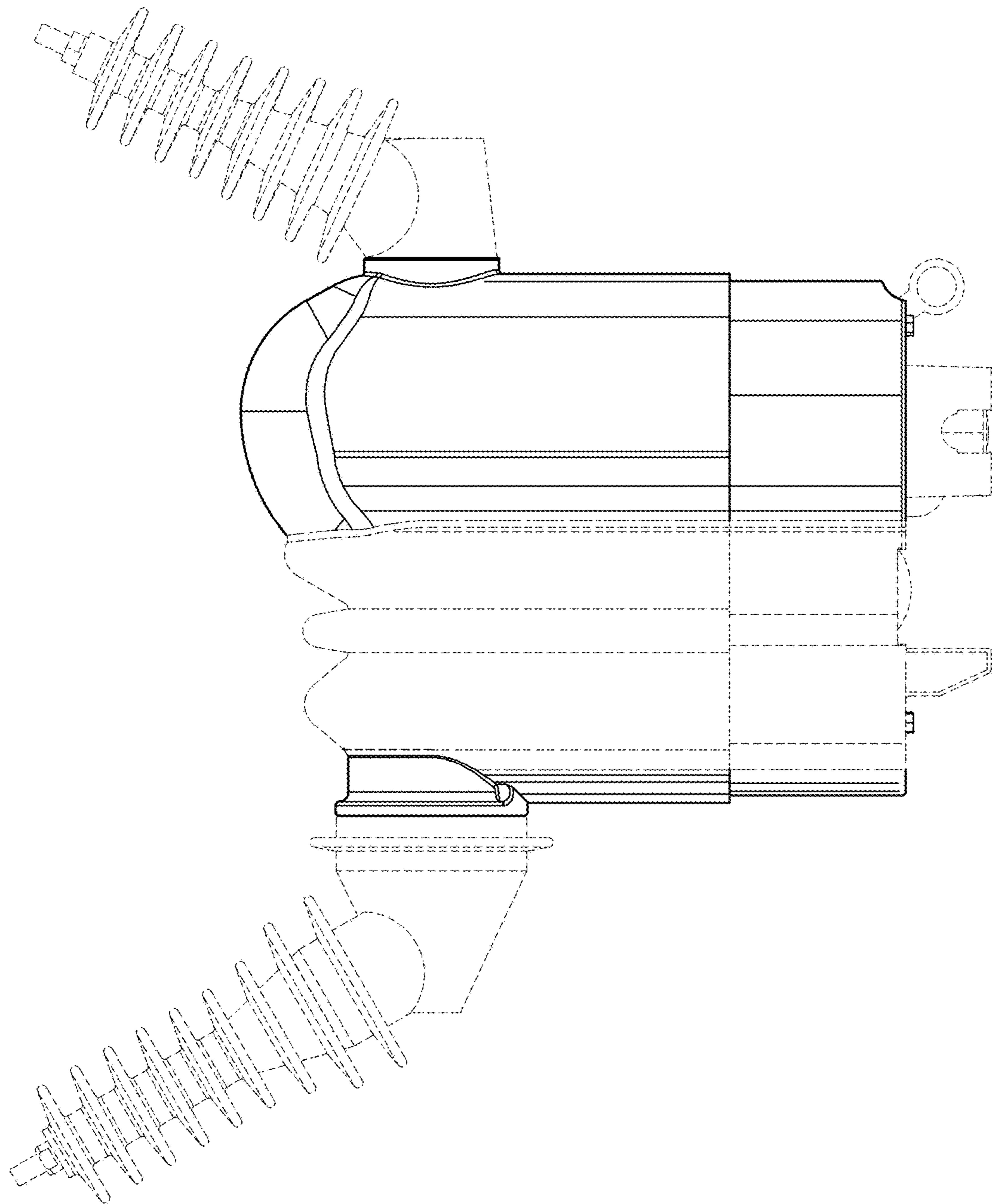


FIG. 17

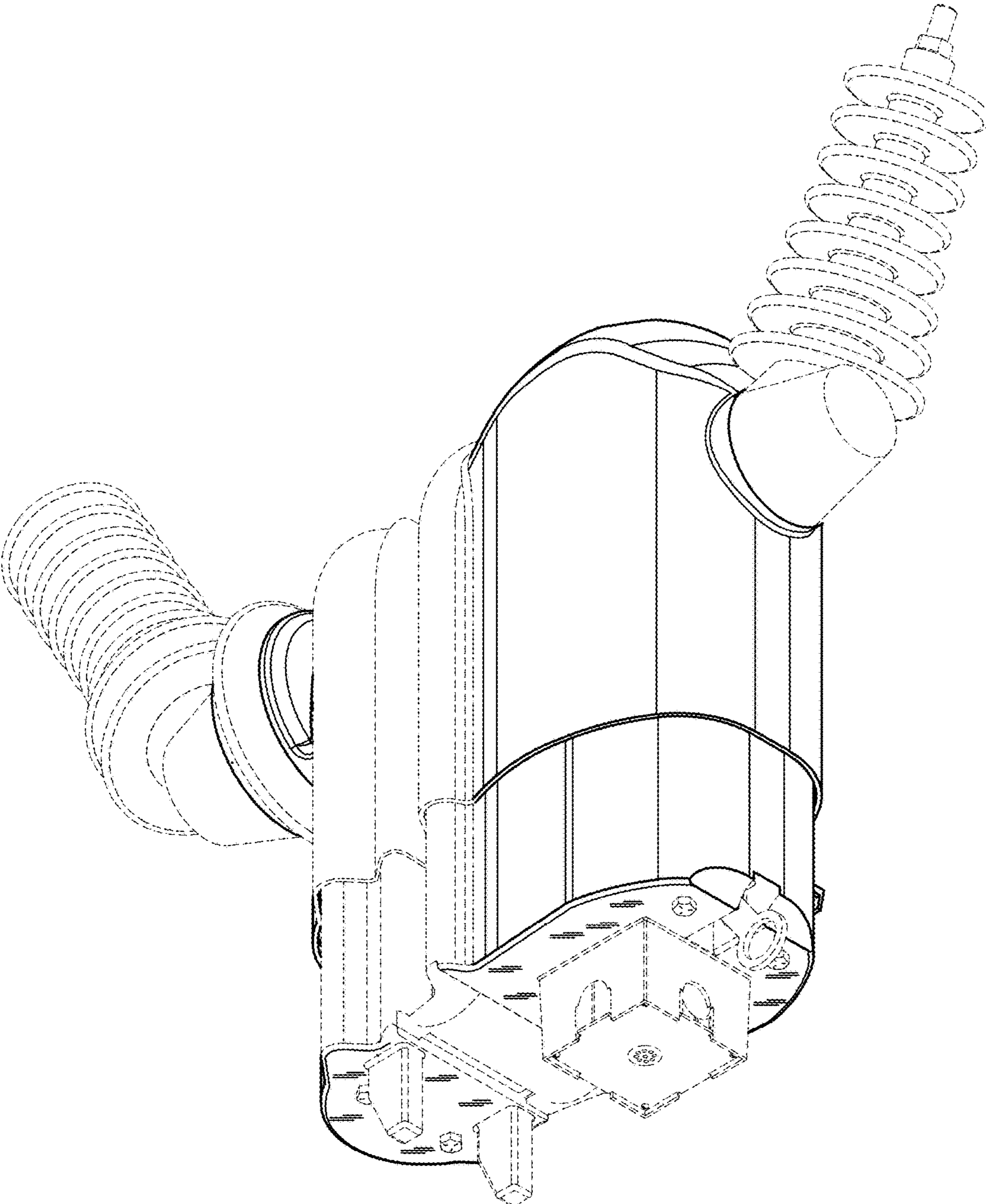


FIG. 18



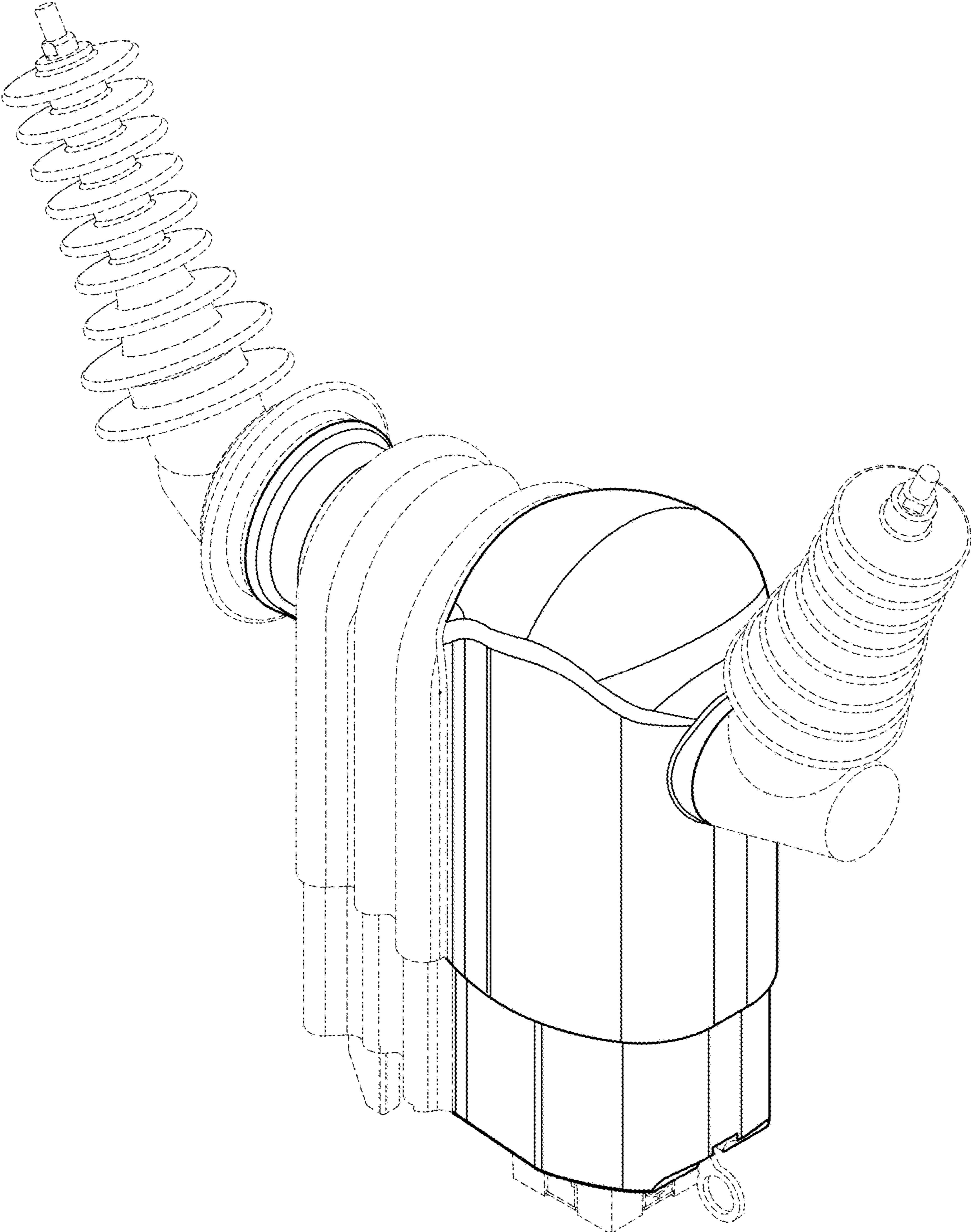


FIG. 19

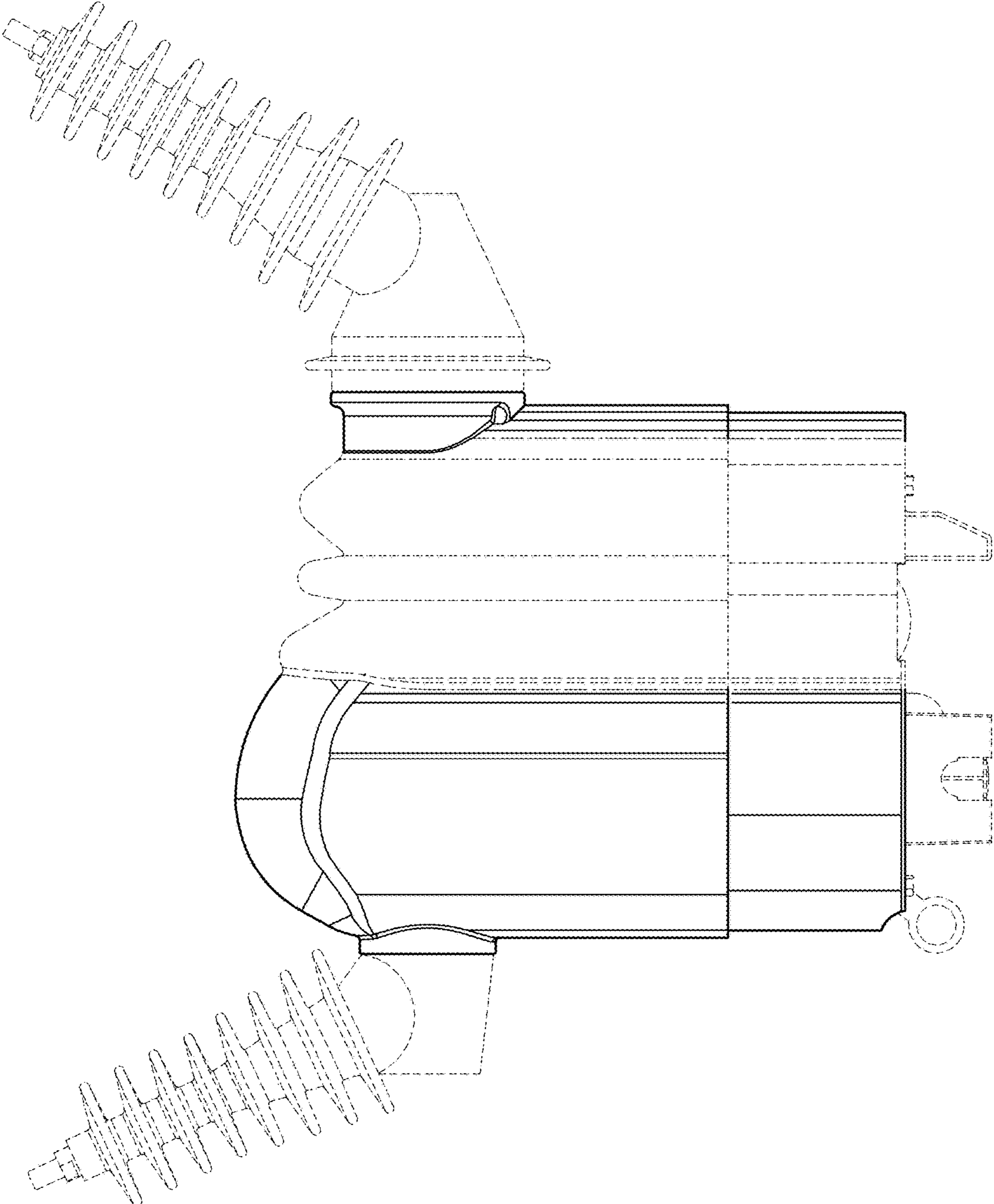


FIG. 20

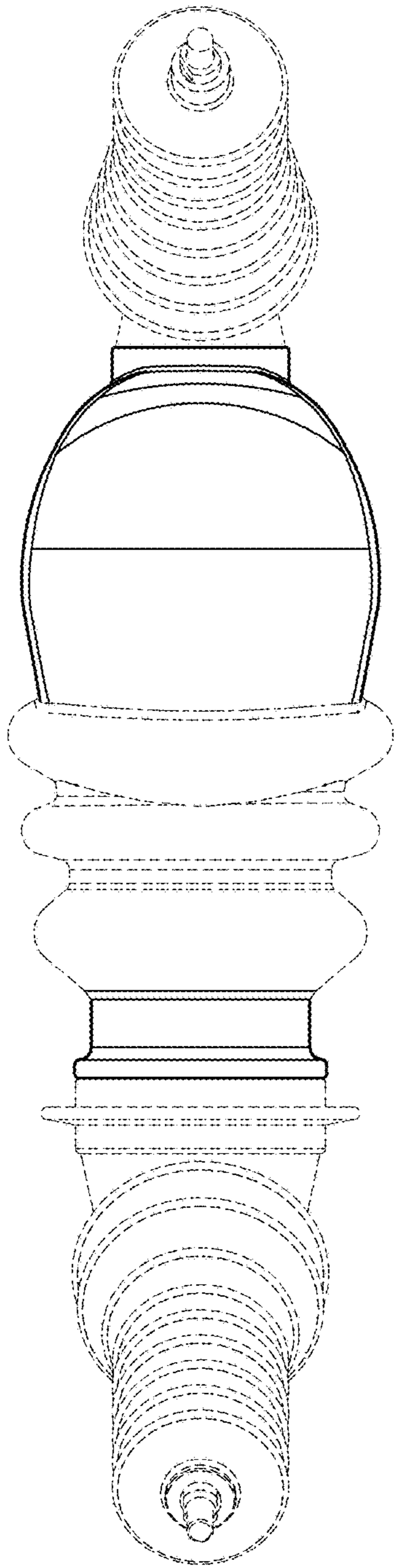


FIG. 21

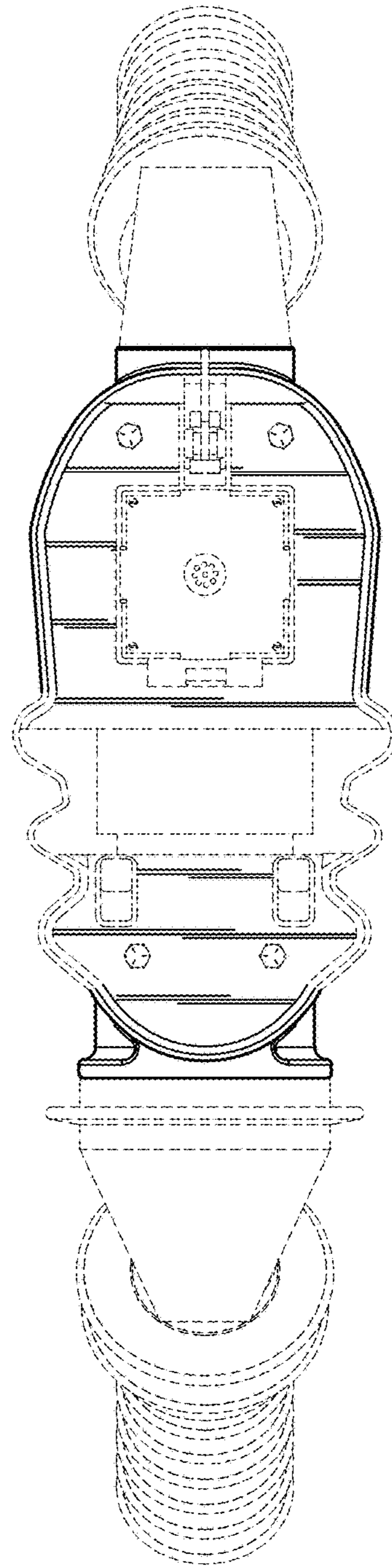
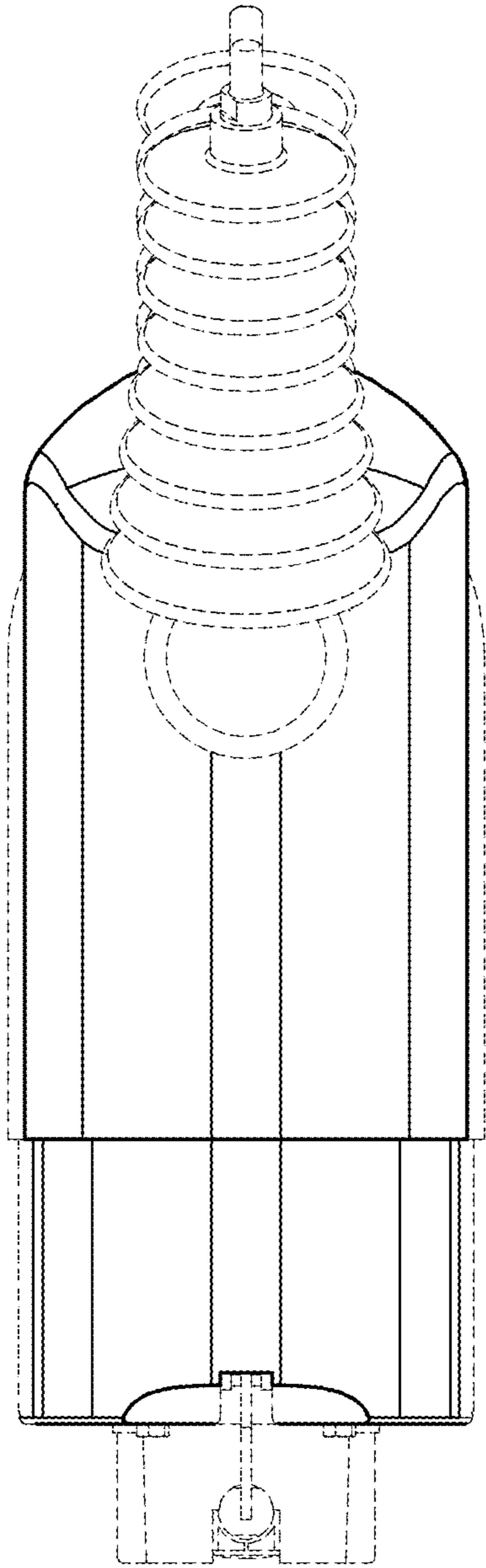
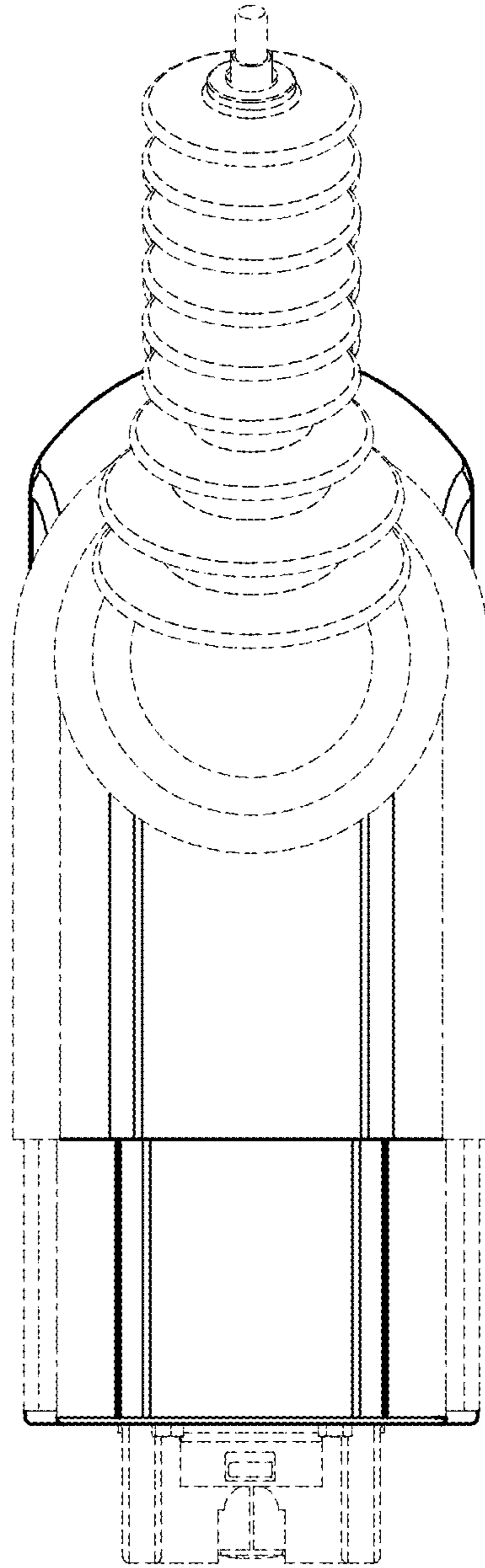


FIG. 22



*FIG. 23*



*FIG. 24*

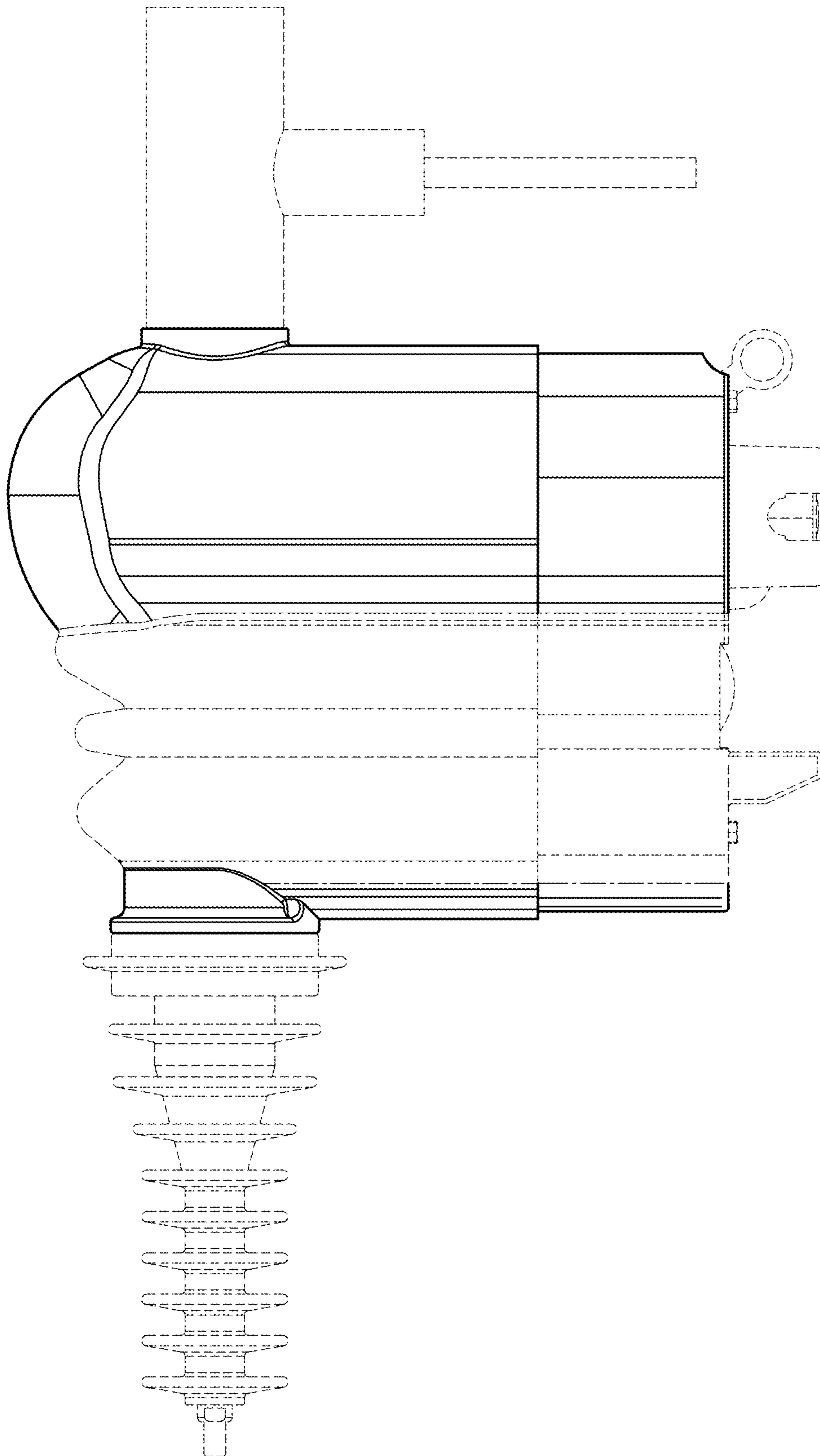


FIG. 25

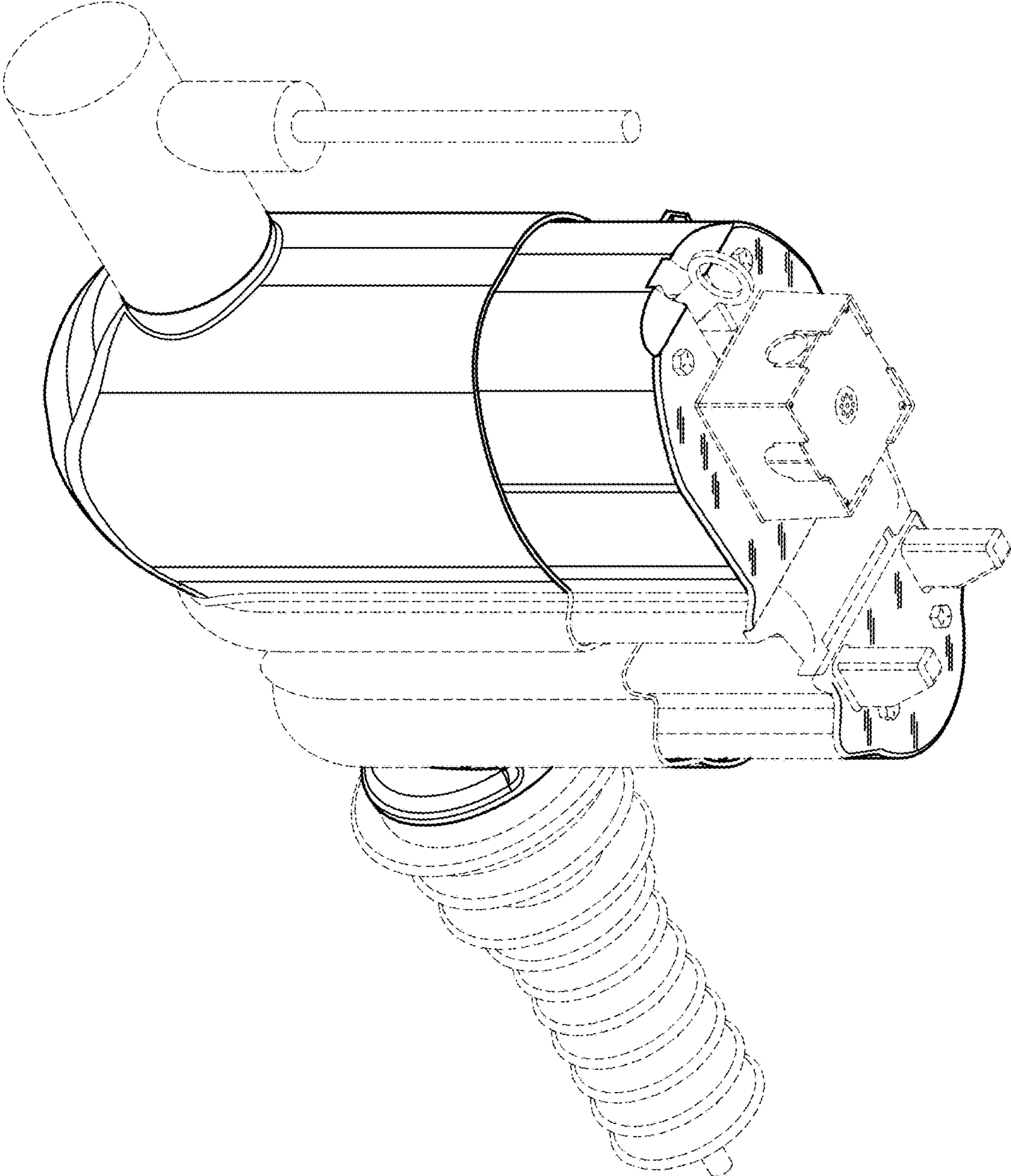


FIG. 26

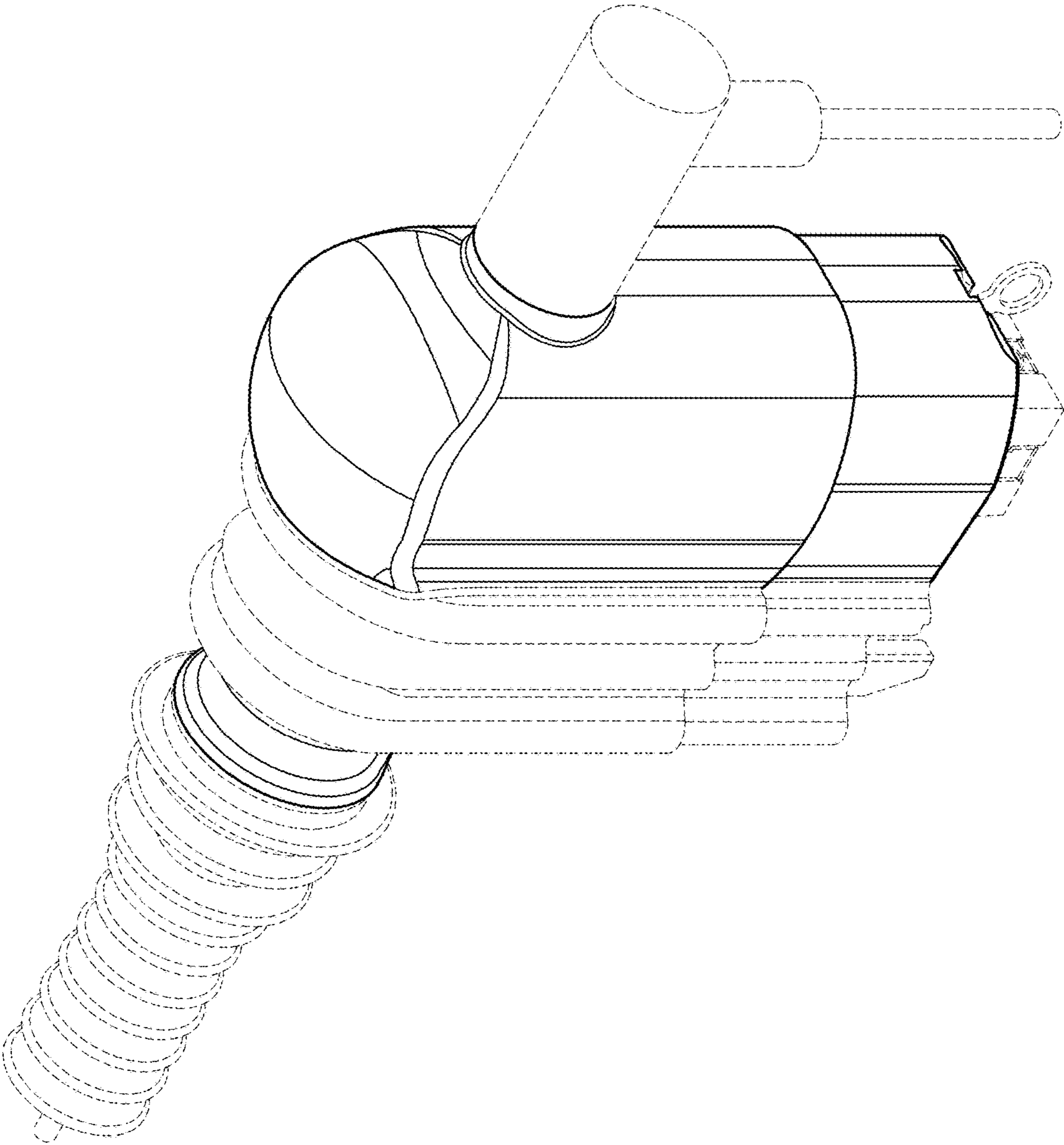


FIG. 27

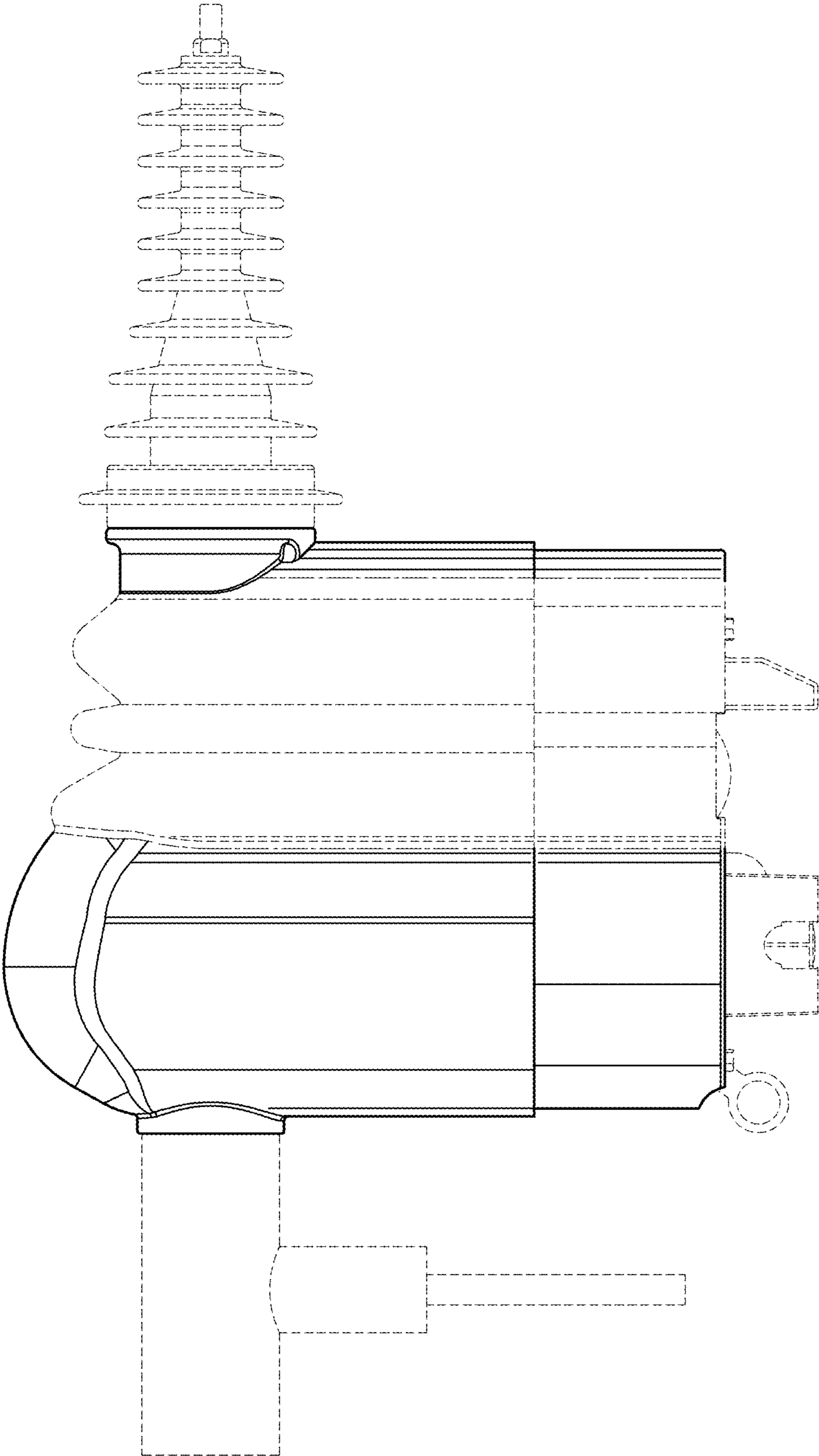


FIG. 28



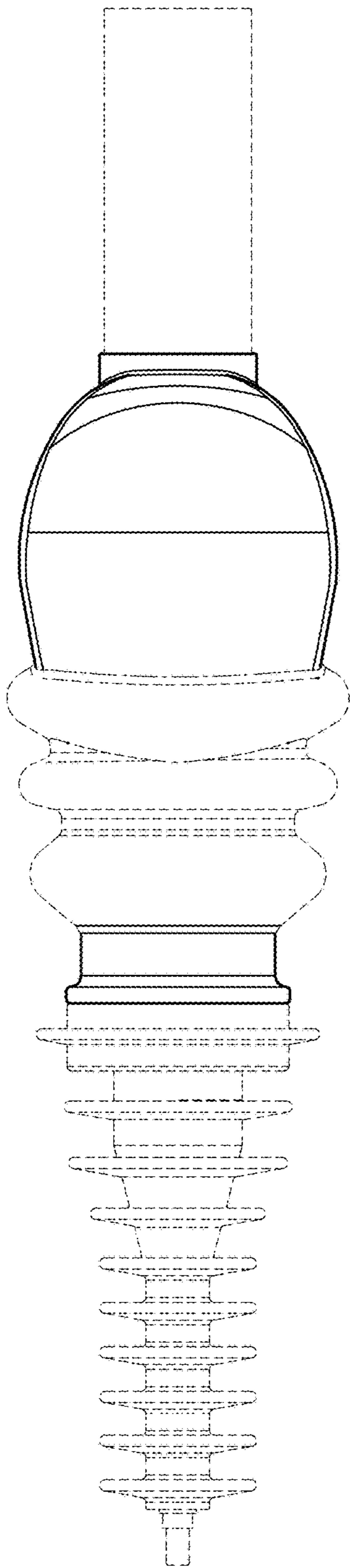


FIG. 29

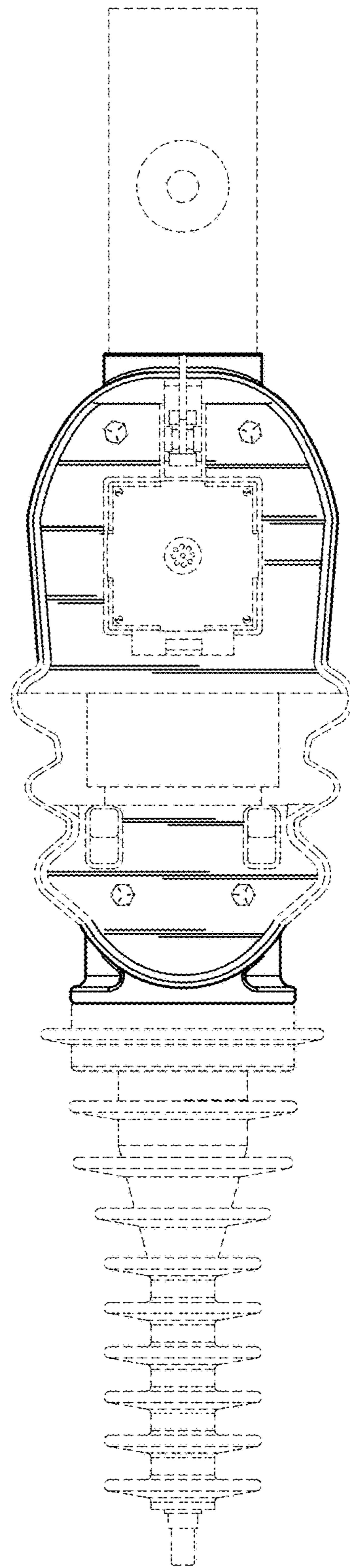


FIG. 30

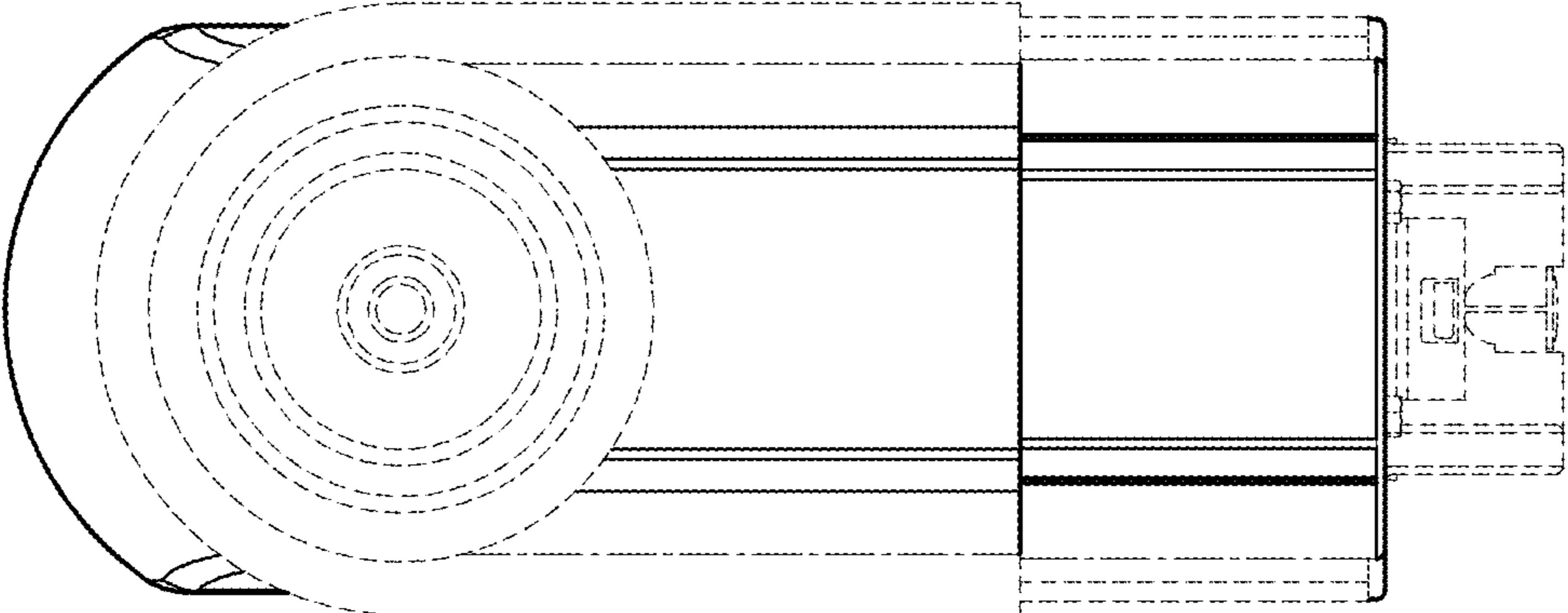


FIG. 31

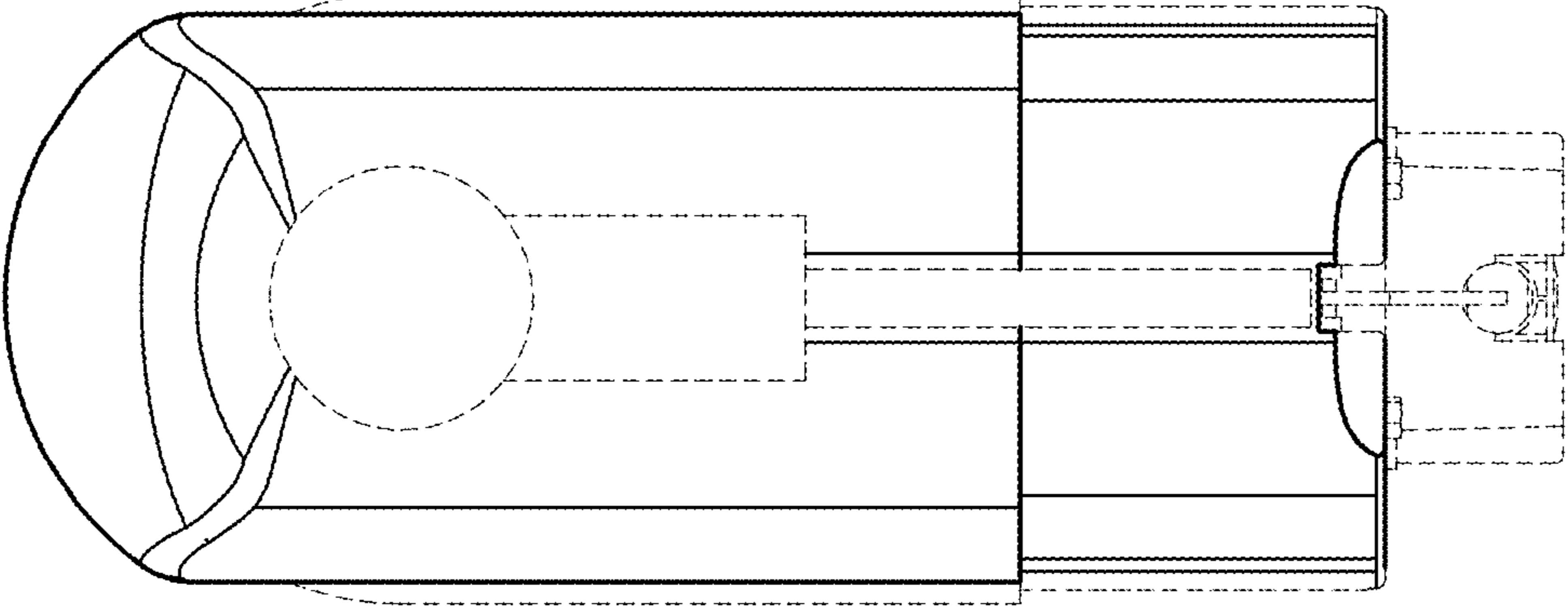


FIG. 32