



US00D800666S

(12) **United States Design Patent**
Nook et al.

(10) **Patent No.:** **US D800,666 S**

(45) **Date of Patent:** **** Oct. 24, 2017**

(54) **ELECTRICAL CONNECTOR**

(71) Applicant: **The NOCO Company**, Glenwillow, OH (US)

(72) Inventors: **Jonathan Lewis Nook**, Gates Mills, OH (US); **William Knight Nook**, Shaker Heights, OH (US); **James Richard Stanfield**, Peoria, AZ (US); **Derek Michael Underhill**, Chandler, AZ (US)

(73) Assignee: **THE NOCO COMPANY**, Glenwillow, OH (US)

(**) Term: **15 Years**

(21) Appl. No.: **29/573,062**

(22) Filed: **Aug. 2, 2016**

(51) **LOC (10) Cl.** **13-03**

(52) **U.S. Cl.**
USPC **D13/148**

(58) **Field of Classification Search**
USPC D13/101, 102, 103, 106, 107, 108, 110, D13/116, 118, 123, 133, 134, 135, 146, D13/147, 148, 149, 150, 151, 153, 154, D13/155, 156, 159, 161, 173, 184, 199
CPC ... H01R 4/00; H01R 4/60; H01R 4/66; H01R 13/00; H01R 13/44; H01R 13/52; H01R 13/58; H01R 13/62; H01R 13/64; H01R 13/66; H01R 24/38; H01R 43/00; H01R 43/18; H01R 43/22; H01R 9/05; G02B 6/38; H02G 3/06

See application file for complete search history.

(56) **References Cited**

U.S. PATENT DOCUMENTS

D553,089 S * 10/2007 Victor D13/133
D561,112 S * 2/2008 Victor D13/133

D586,759 S * 2/2009 Victor D13/156
D708,140 S * 7/2014 Nook D13/133
8,888,535 B2 * 11/2014 Knight H01R 13/5221
439/650
D725,598 S * 3/2015 Nook D13/120
D726,121 S * 4/2015 Nook D13/120
D737,216 S * 8/2015 Nook D13/120
D737,782 S * 9/2015 Nook D13/120
D739,354 S * 9/2015 Nook D13/133
D746,774 S * 1/2016 Nook D13/120

OTHER PUBLICATIONS

NOCO Genius GC002, posted at Amazon.com, posted on Jul. 7, 2004, [online], [site visited Jun. 7, 2017]. Available from Internet, <<https://www.amazon.com/NOCO-Genius-GC004-Extension-Cable/dp/B004LWQ35Y>>.*

(Continued)

Primary Examiner — Thomas Johannes

Assistant Examiner — Catherine Ho

(74) *Attorney, Agent, or Firm* — Vorys, Sater, Seymour and Pease LLP; William L. Klima

(57) **CLAIM**

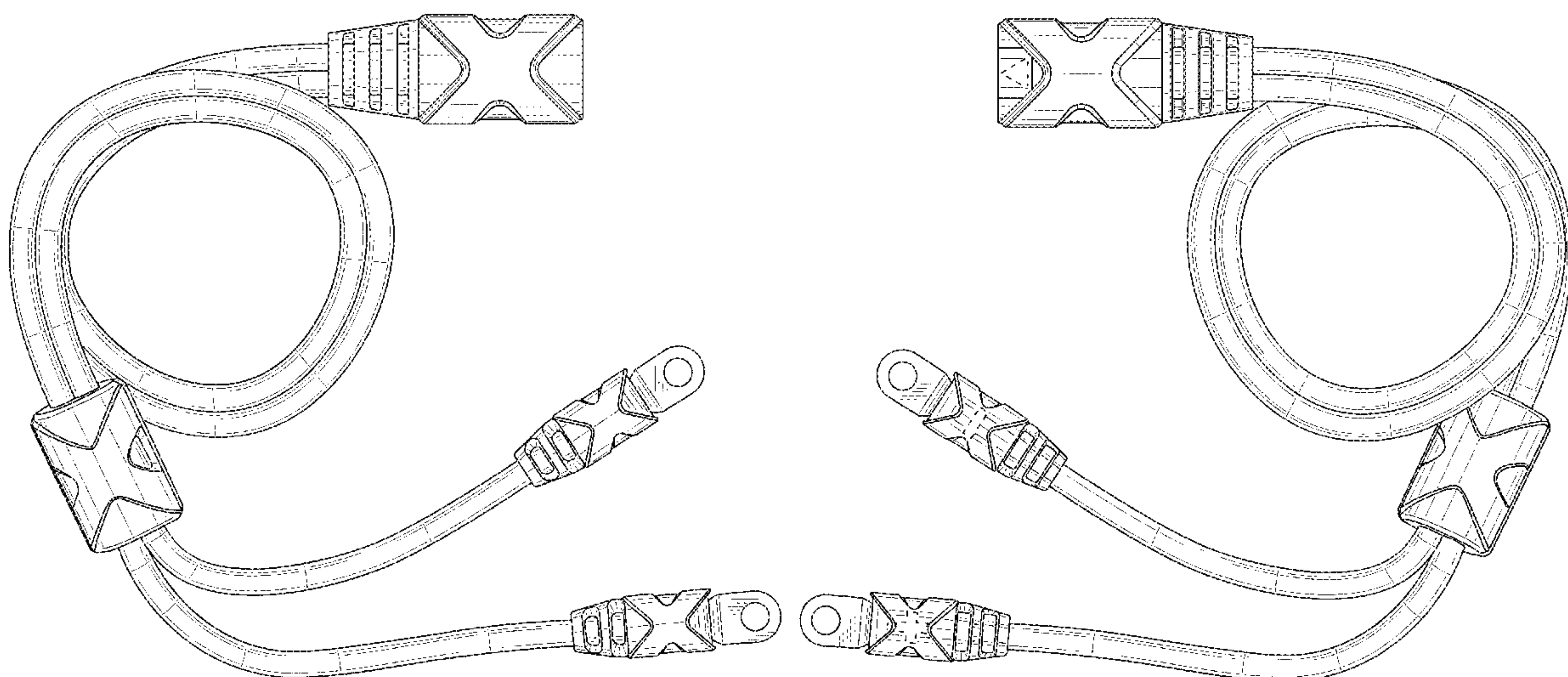
The ornamental design for an electrical connector, as shown and described.

DESCRIPTION

FIG. 1 is a perspective view for an electrical connector; FIG. 2 is a front elevational view thereof; FIG. 3 is a rear elevational view thereof; FIG. 4 is a left-side view thereof; FIG. 5 is a right-side view thereof; FIG. 6 is a top planar view thereof; FIG. 7 is a bottom planar view; and, FIG. 8 is a front elevational view thereof, shown in an environment of use.

The broken lines shown represent unclaimed subject matter and form no part of the claimed design.

1 Claim, 8 Drawing Sheets



(56)

References Cited

OTHER PUBLICATIONS

Two (2) Battery Tender 081-0069-6, posted at Amazon.com, posted on Jan. 19, 2011, [online], [site visited Jun. 7, 2017]. Available from Internet, <<https://www.amazon.com/Battery-Tender-081-0069-6-Terminal-Disconnect/dp/B004JV6OMO>>.*

Schumacher WM-12 Cable Connector, posted at Amazon.com, posted on Jul. 19, 2010, [online], [site visited Jun. 7, 2017]. Available from Internet, <<https://www.amazon.com/Schumacher-WM-12-Connector-Battery-Maintainer/dp/B003WDDLTO>>.*

Motopower 0609A, posted at Amazon.com, posted on May 26, 2016, [online], [site visited Jun. 7, 2017]. Available from Internet, <<https://www.amazon.com/Motopower-0609A-Waterproof-Motorcycle-Charger/product-reviews/B01DYE54LI>>.*

* cited by examiner

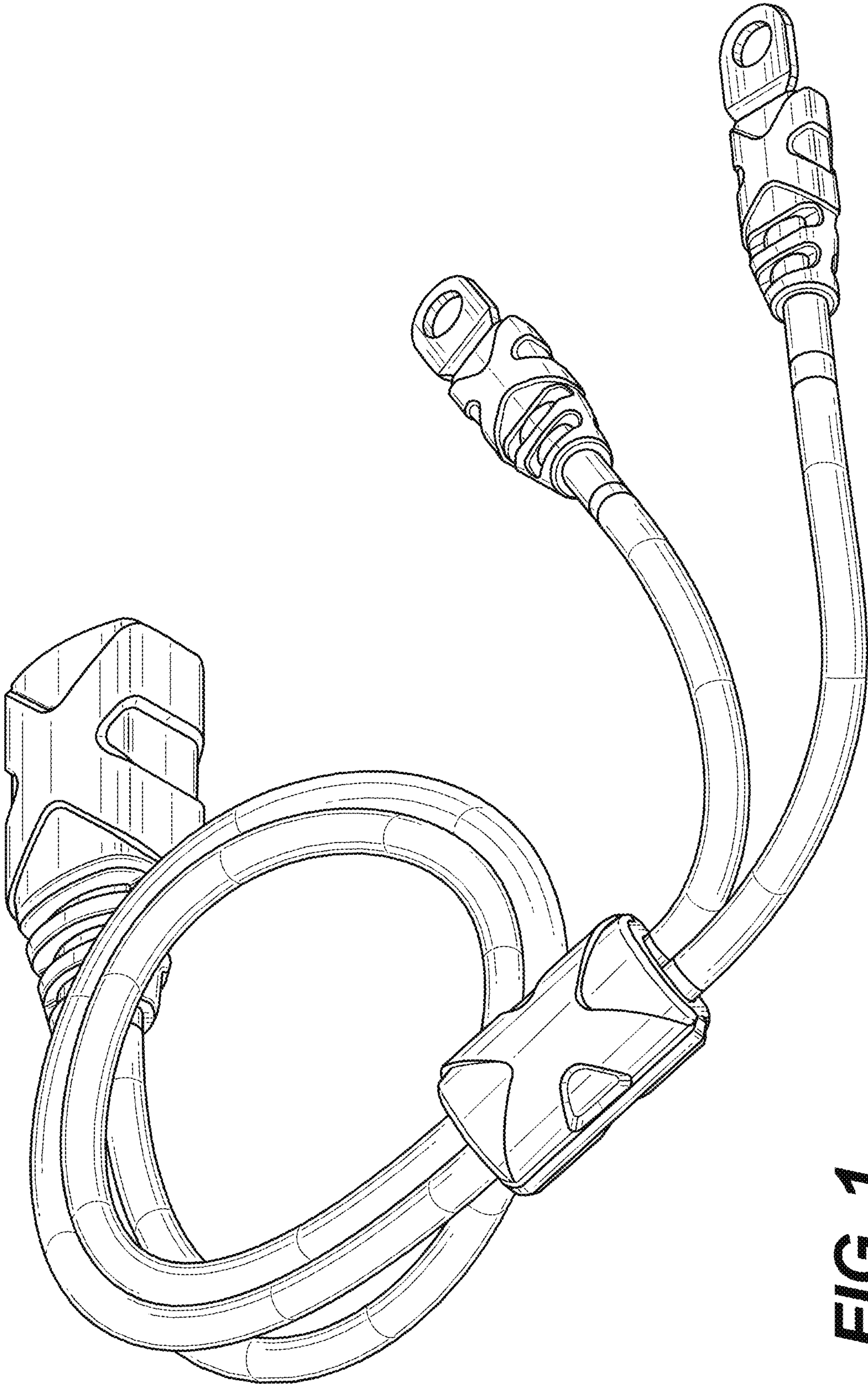


FIG. 1

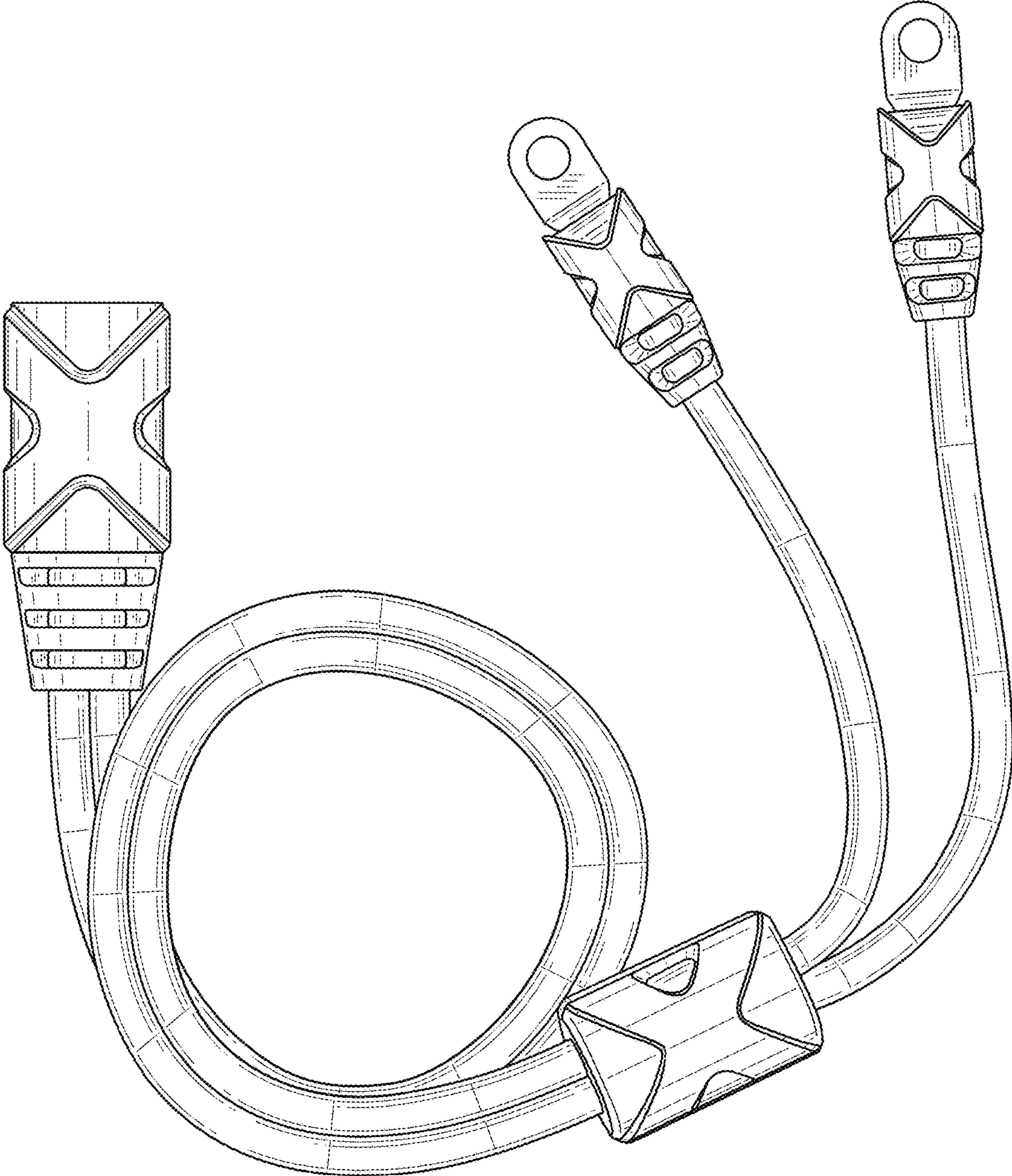


FIG. 2

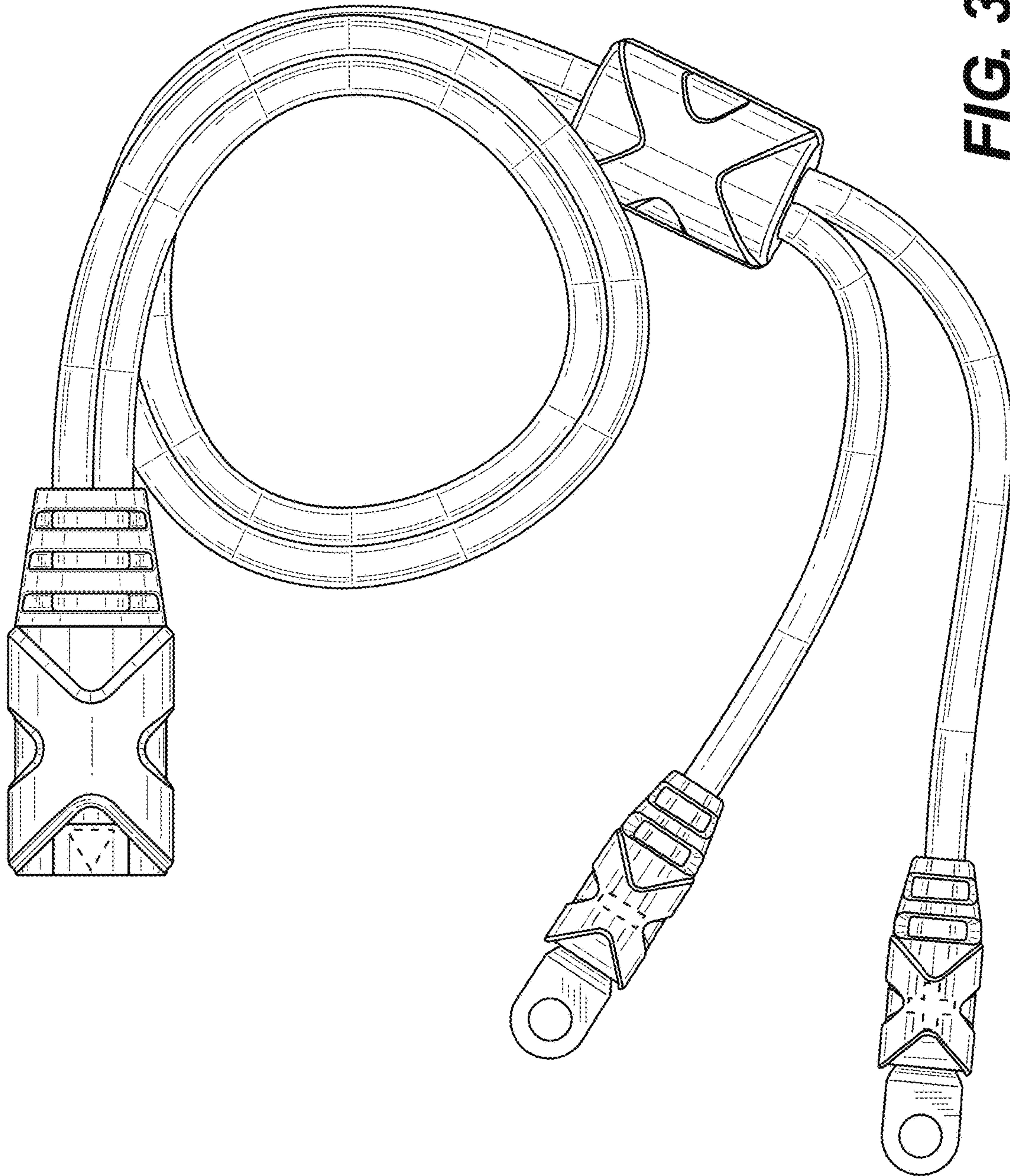


FIG. 3

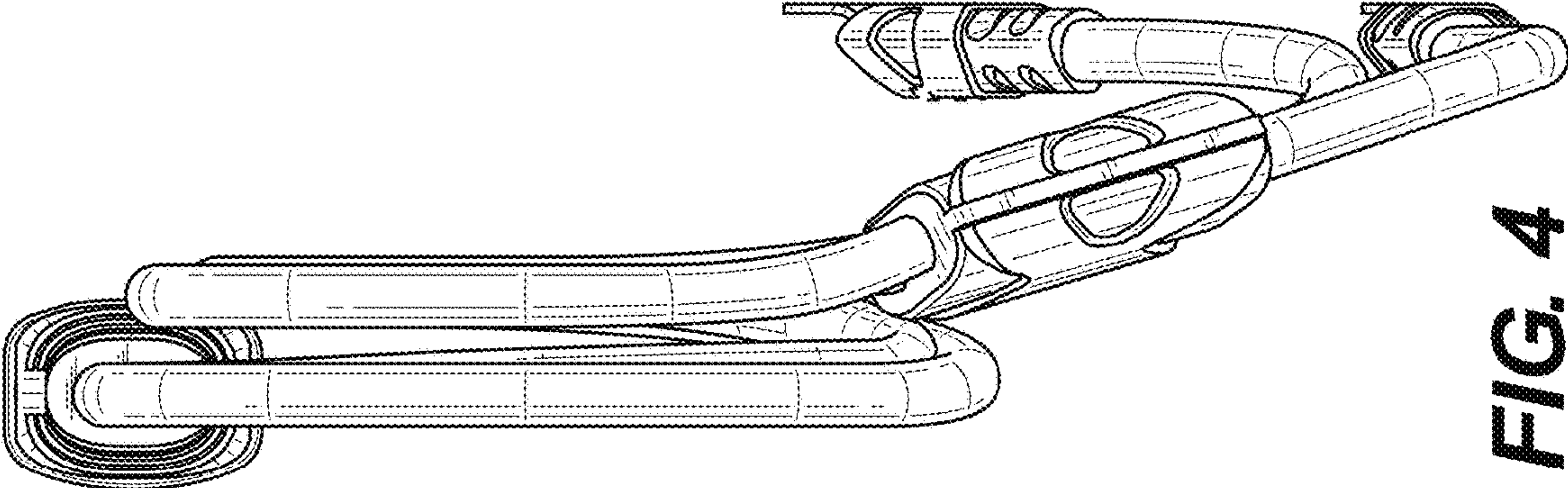


FIG. 4

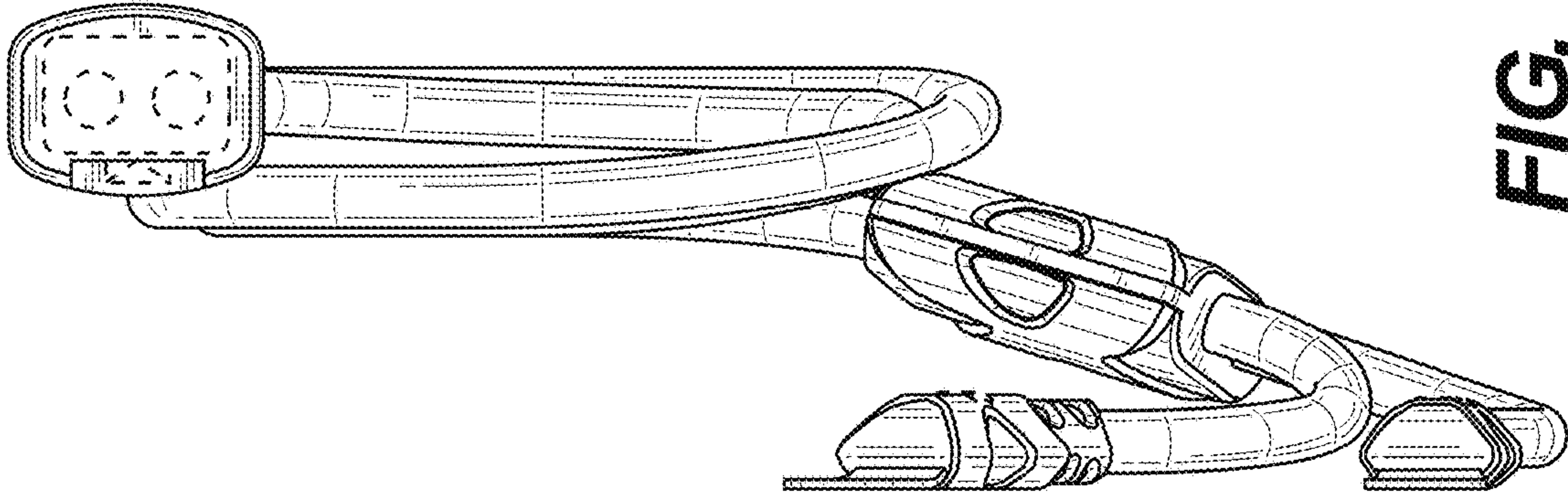


FIG. 5

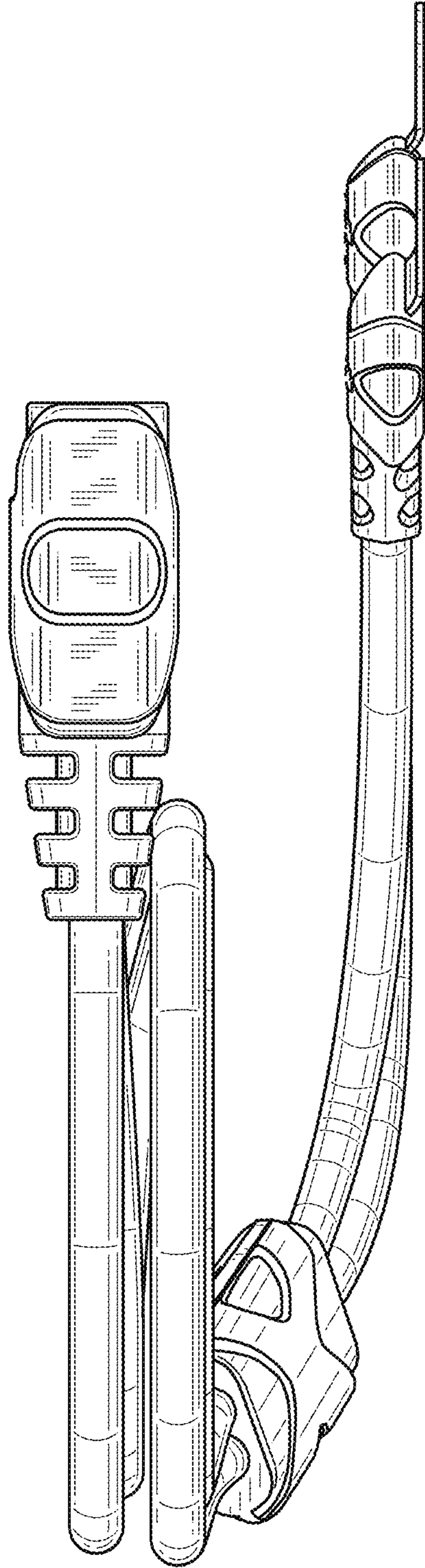


FIG. 6

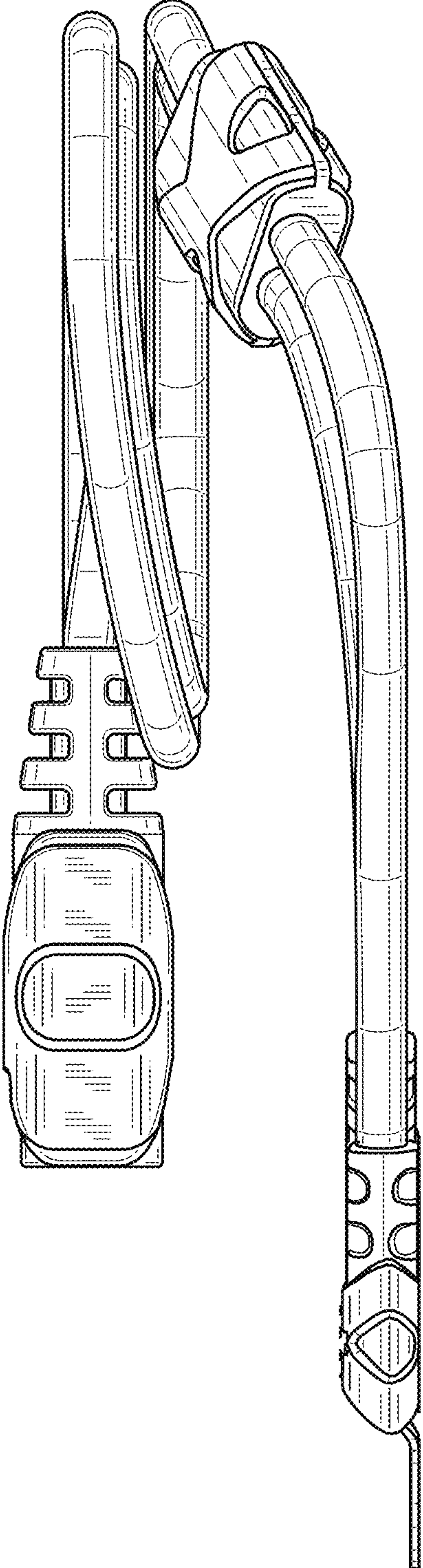


FIG. 7

