

US00D800664S

(12) **United States Design Patent** (10) **Patent No.:** **US D800,664 S**
Xiao et al. (45) **Date of Patent:** **** Oct. 24, 2017**

(54) **SAFETY CAR CHARGER**

(71) Applicants: **Wen Chen**, Guangzhou, Guangdong (CN); **Feng Yu**, Guangzhou, Guangdong (CN)

(72) Inventors: **Tao Xiao**, Guangdong (CN); **Feng Yu**, Guangdong (CN)

(73) Assignees: **Wen Chen**, Guangzhou (CN); **Feng Yu**, Guangzhou (CN)

(**) Term: **15 Years**

(21) Appl. No.: **29/559,026**

(22) Filed: **Mar. 24, 2016**

(30) **Foreign Application Priority Data**

Nov. 2, 2015 (CN) 2015 3 0430977

(51) **LOC (10) Cl.** **13-03**

(52) **U.S. Cl.**
USPC **D13/144**

(58) **Field of Classification Search**
USPC D13/144, 107, 110, 118, 119, 120, 133, D13/154, 184, 199; D14/155, 217, 433; 320/65, 107, 108, 109; 363/13, 146; 439/300, 620, 638, 668, 669, 675, 825
CPC H01R 24/58; H01R 2201/26
See application file for complete search history.

(56) **References Cited**

U.S. PATENT DOCUMENTS

D400,176 S * 10/1998 Jones D13/144
D521,487 S * 5/2006 Dayan D14/155

D522,457 S * 6/2006 Riede D13/144
D524,285 S * 7/2006 Dayan D14/155
D530,306 S * 10/2006 Wang D14/157
D545,274 S * 6/2007 Dong D13/110
D548,719 S * 8/2007 Dayan D14/155
7,544,101 B1 * 6/2009 Tseng H01R 24/58
439/131
D600,206 S * 9/2009 Ledbetter D13/110
D620,440 S * 7/2010 Riede D13/144
D632,652 S * 2/2011 Wikel D13/144
D633,046 S * 2/2011 Au D13/144
D656,898 S * 4/2012 Webb D13/144

* cited by examiner

Primary Examiner — Derrick Holland
Assistant Examiner — Jennifer O King

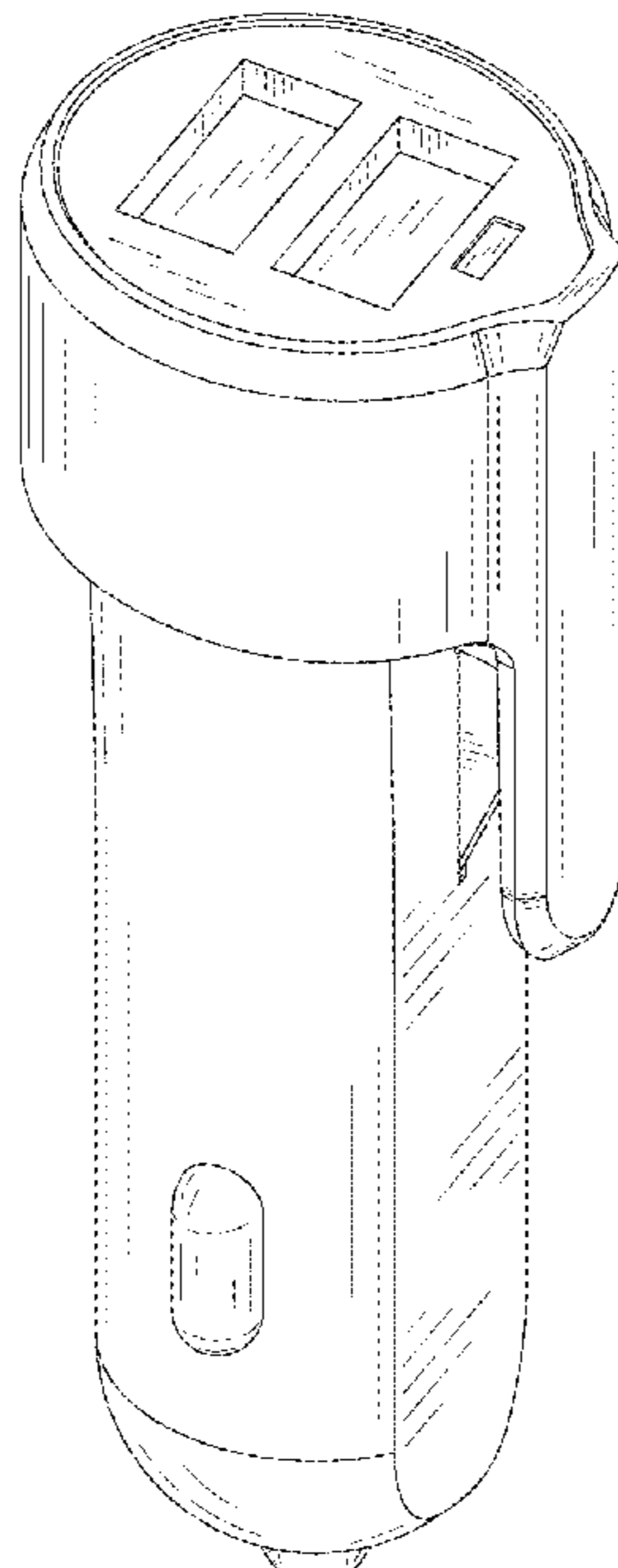
(57) **CLAIM**

The ornamental design for a safety car charger, as shown and described.

DESCRIPTION

FIG. 1 is a front elevational view of a safety car charger showing our new design;
FIG. 2 is a rear elevational view thereof;
FIG. 3 is a left side view thereof;
FIG. 4 is a right side view thereof;
FIG. 5 is a top plan view thereof;
FIG. 6 is a bottom plan view thereof;
FIG. 7 is a first perspective view thereof; and,
FIG. 8 is a second perspective view thereof.

1 Claim, 5 Drawing Sheets



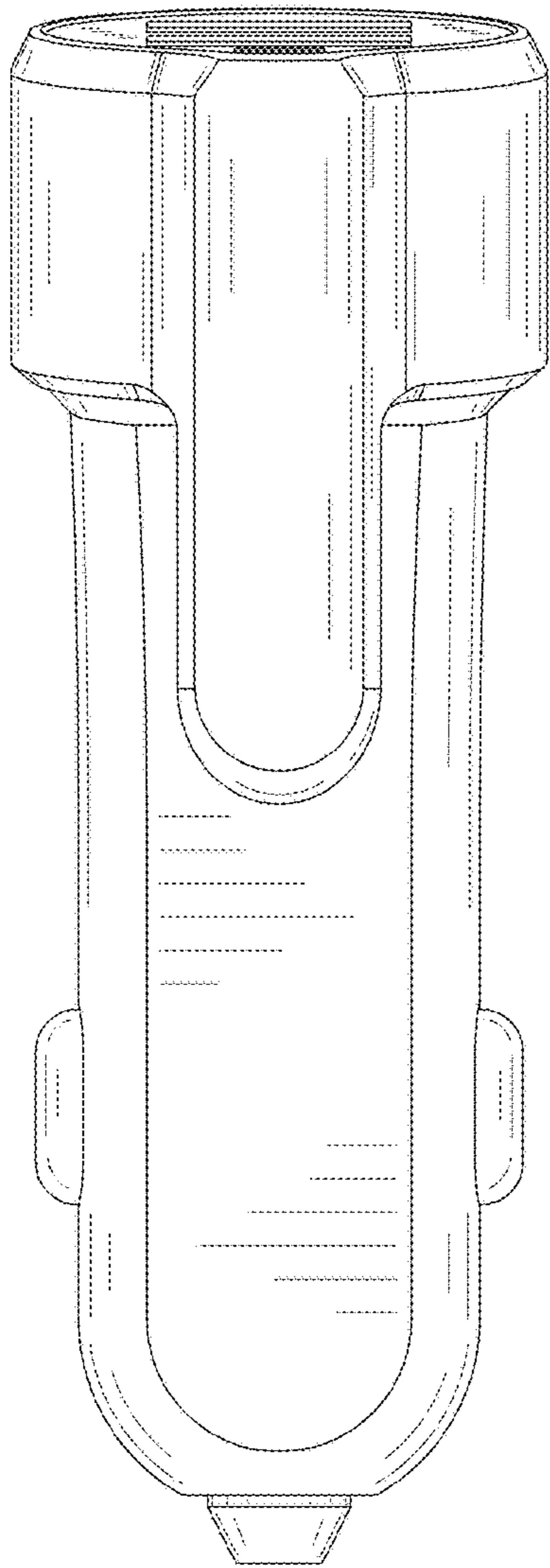


FIG.1

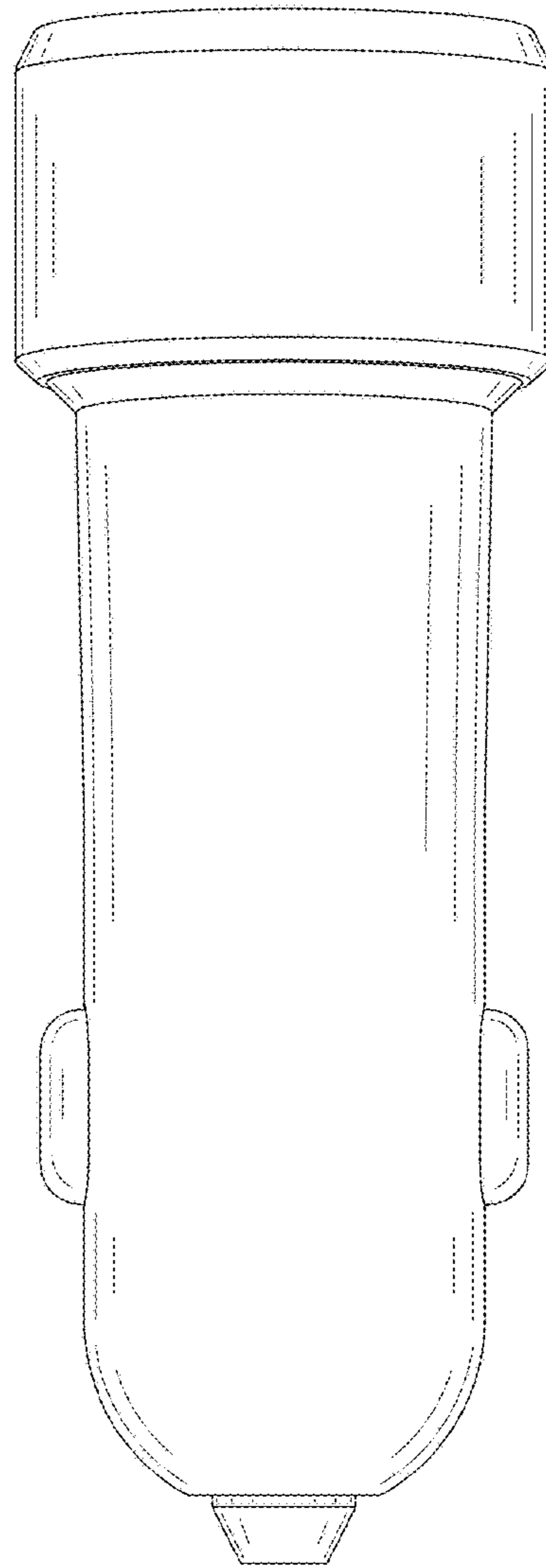


FIG.2

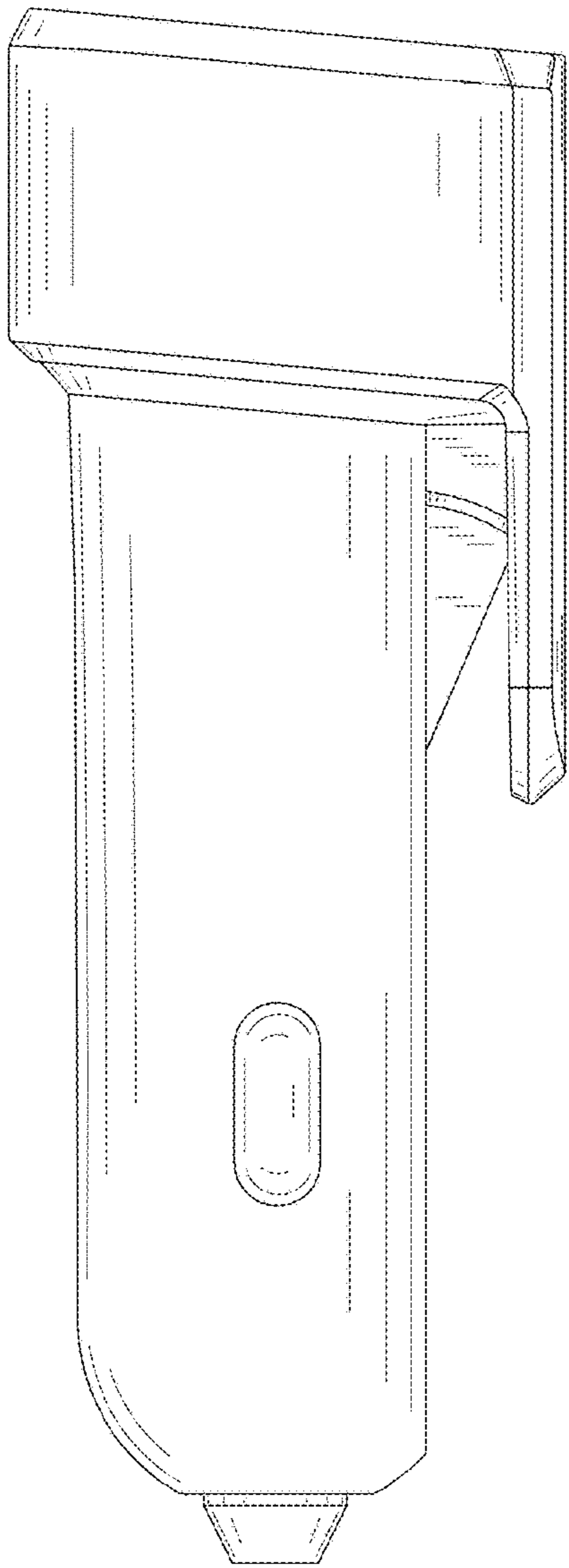


FIG.3

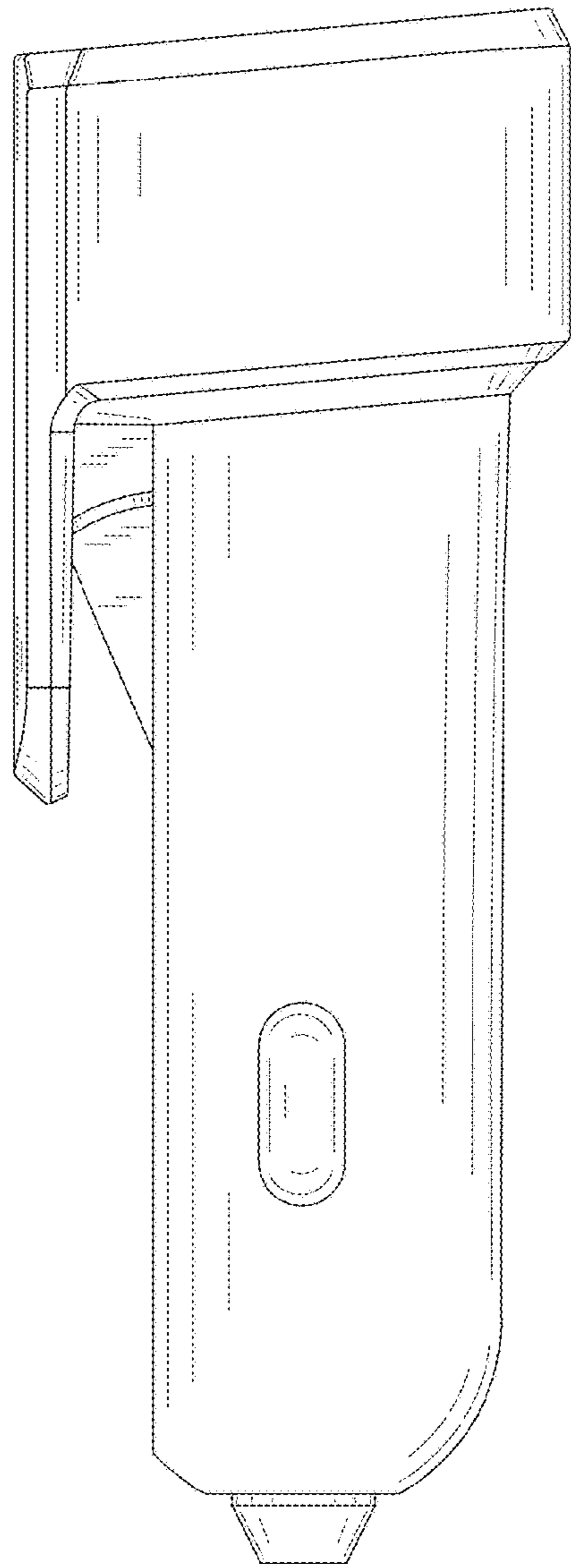


FIG.4

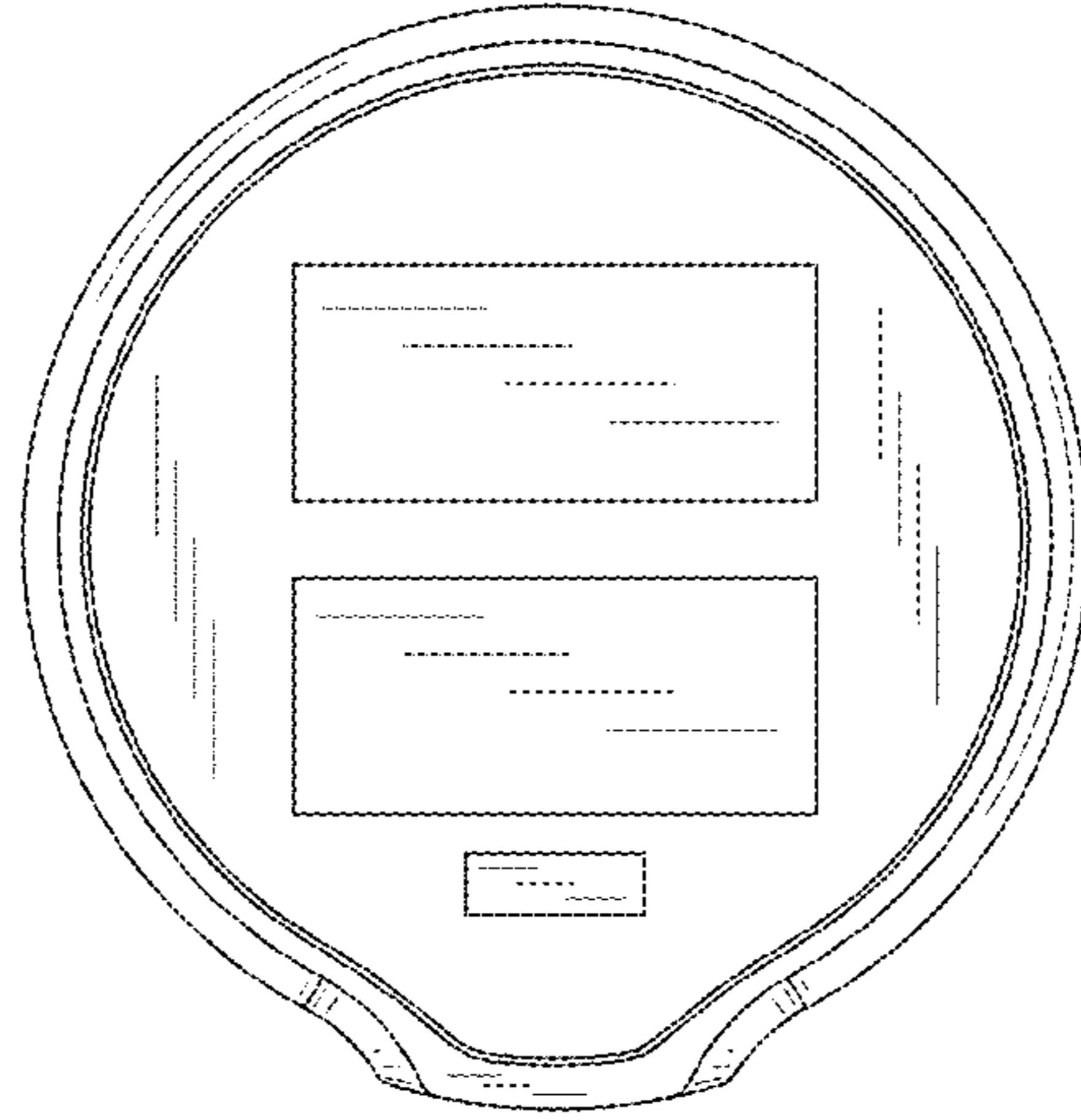


FIG. 5

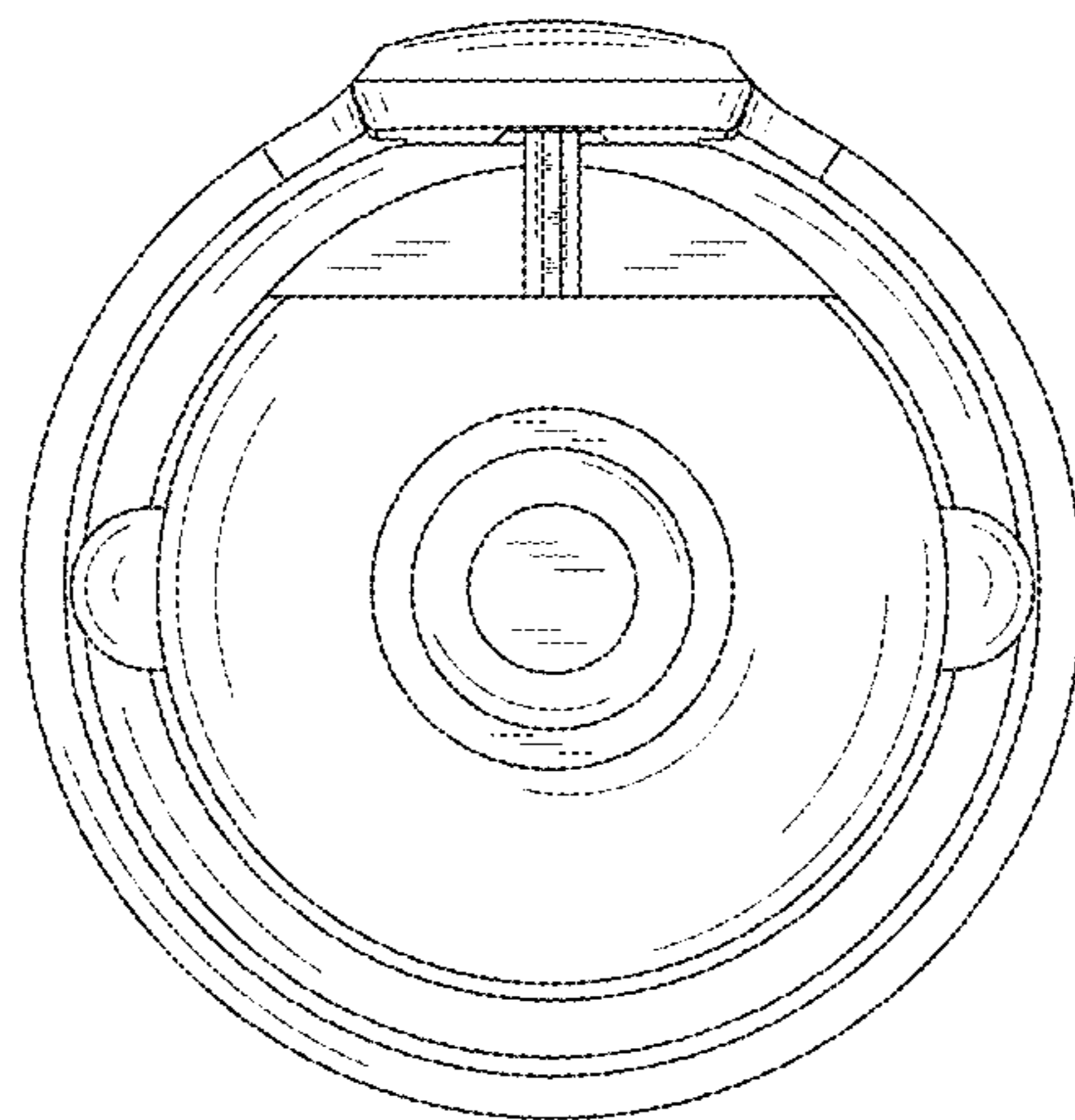


FIG. 6

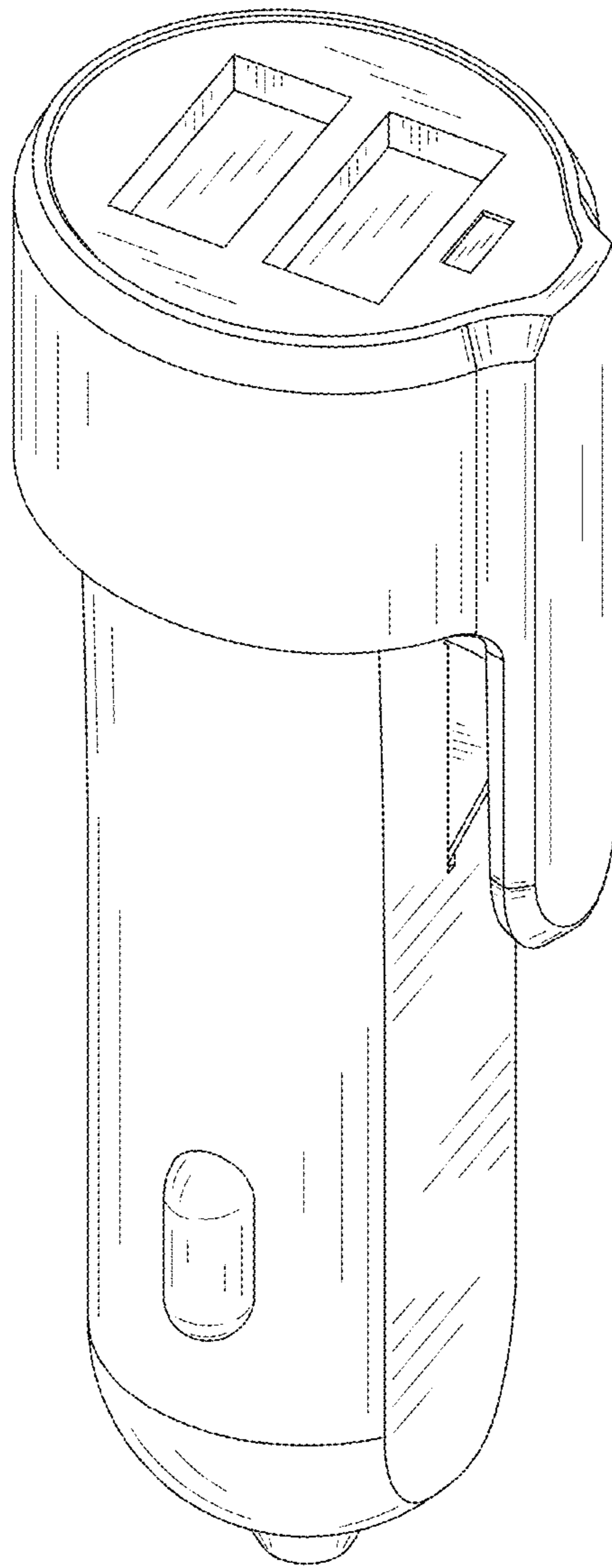


FIG.7

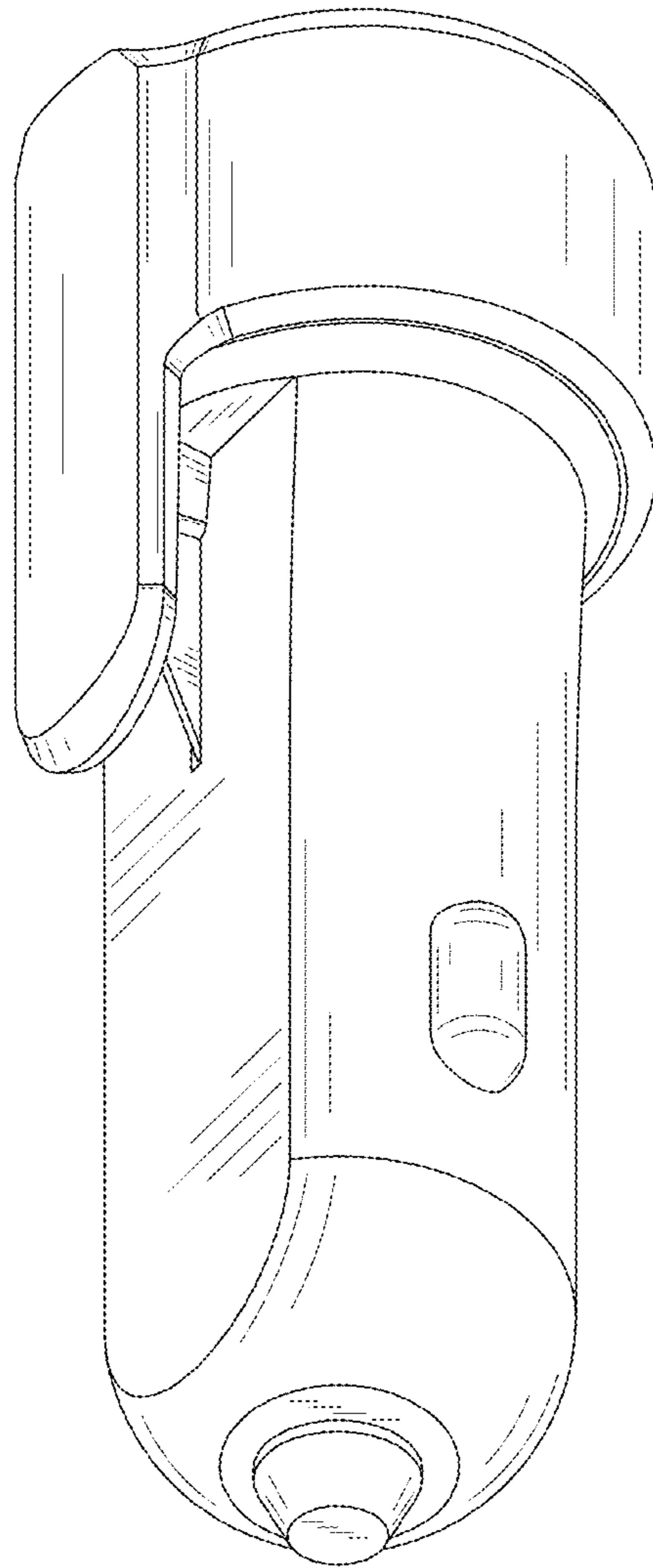


FIG.8