



US00D800663S

(12) **United States Design Patent**  
**Schulte et al.**

(10) **Patent No.:** **US D800,663 S**

(45) **Date of Patent:** **\*\* Oct. 24, 2017**

(54) **SOCKET STRIP**

(71) Applicant: **Schulte-Elektrotechnik GmbH & Co. KG**, Luedenscheid (DE)

(72) Inventors: **Siegfried Schulte**, Luedenscheid (DE);  
**Christian Messy**, Menden (DE);  
**Hendrik Rittinghaus**, Schalksmuehle (DE)

(73) Assignee: **Schulte-Elektrotechnik GmbH & Co. KG**, Luedenscheid (DE)

(\*\*) Term: **15 Years**

(21) Appl. No.: **29/565,725**

(22) Filed: **May 24, 2016**

(30) **Foreign Application Priority Data**

Dec. 22, 2015 (EM) ..... 002920231

(51) **LOC (10) Cl.** ..... **13-03**

(52) **U.S. Cl.**  
USPC ..... **D13/139.4**

(58) **Field of Classification Search**  
USPC ..... D13/108, 110, 123, 133, 137.1-137.4,  
D13/138.1-138.2, 139.1-139.8, 152-154,  
D13/156, 158, 177, 146, 147;  
D8/350-353, 331; D25/138, 163, 164  
CPC ..... H01R 25/00; H01R 25/006; H01R 9/00;  
H01R 11/00; H01R 3/00; H05K 5/02  
See application file for complete search history.

(56) **References Cited**

**U.S. PATENT DOCUMENTS**

5,122,069 A \* 6/1992 Brownlie ..... G02B 6/4451  
174/53  
D434,001 S \* 11/2000 Sayger ..... D13/139.5  
D442,143 S \* 5/2001 Gershfeld ..... D13/139.4  
6,234,812 B1 \* 5/2001 Ivers ..... A47B 21/06  
362/127

D456,357 S \* 4/2002 Gershfeld ..... D13/139.4  
D534,495 S \* 1/2007 Gershfeld ..... D13/139.4  
D534,869 S \* 1/2007 Stekelenburg ..... D13/139.1  
7,163,409 B1 \* 1/2007 Chen ..... H01R 25/006  
439/131  
7,183,501 B2 \* 2/2007 Bowman ..... H02G 3/0493  
174/480  
D600,213 S \* 9/2009 Inoue ..... D13/133  
D626,069 S \* 10/2010 Byrne ..... D13/139.4  
D626,070 S \* 10/2010 Byrne ..... D13/139.4  
D647,853 S \* 11/2011 Kan ..... D13/139.4

(Continued)

**OTHER PUBLICATIONS**

Web.Archive.Org: EVOLine FlipTop Push. Published Oct. 8, 2015.  
Retrieved from the internet at <<https://web.archive.org/web/20151008074913/http://www.evoline.com/index.html>>, Aug. 14, 2017. 1 page.\*

*Primary Examiner* — Rosemary K Tarcza

*Assistant Examiner* — Christy Nemeth

(74) *Attorney, Agent, or Firm* — Collard & Roe, P.C.

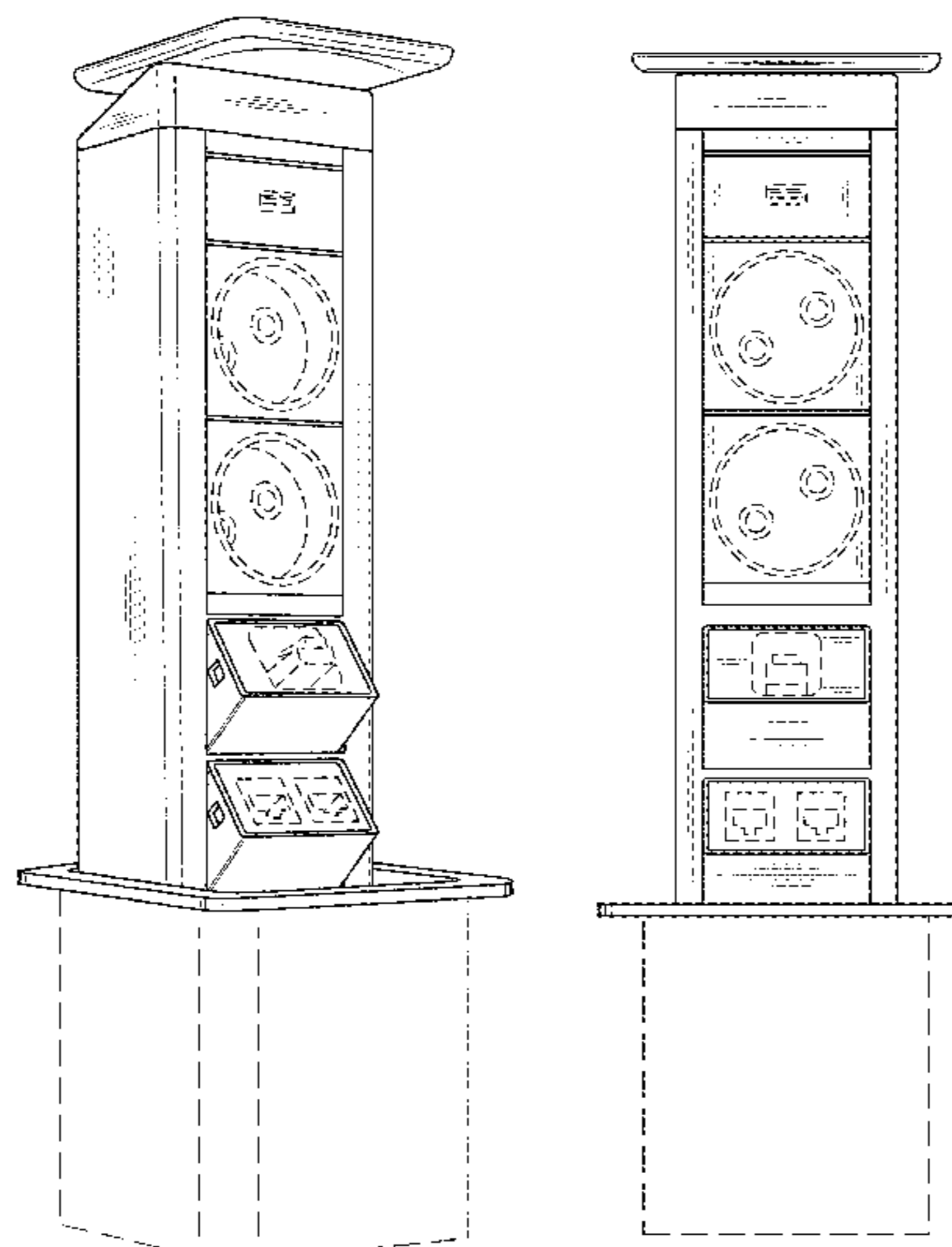
(57) **CLAIM**

The ornamental design for a socket strip, as shown and described.

**DESCRIPTION**

FIG. 1 is a front and left side perspective view of a socket strip, showing our new design in an open position with the socket strip fully extended through the base plate;  
FIG. 2 is a front view thereof;  
FIG. 3 is a right side view thereof, with the left side view being a mirror image thereof;  
FIG. 4 is a rear view thereof; and,  
FIG. 5 is a first end view thereof, in a closed position with the socket strip fully inserted through the base plate.  
The areas and features shown in broken lines represent environmental structure only and form no part of the claimed design.

**1 Claim, 3 Drawing Sheets**



(56)

**References Cited**

U.S. PATENT DOCUMENTS

D669,856 S	*	10/2012	Rosendahl .....	D13/139.5
D682,213 S	*	5/2013	Byrne .....	D13/139.4
D709,832 S	*	7/2014	Byrne .....	D13/139.4
D716,232 S	*	10/2014	Byrne .....	D13/139.4
D775,080 S	*	12/2016	Newhouse .....	D13/139.4
D790,457 S	*	6/2017	Vargas .....	D13/108

\* cited by examiner

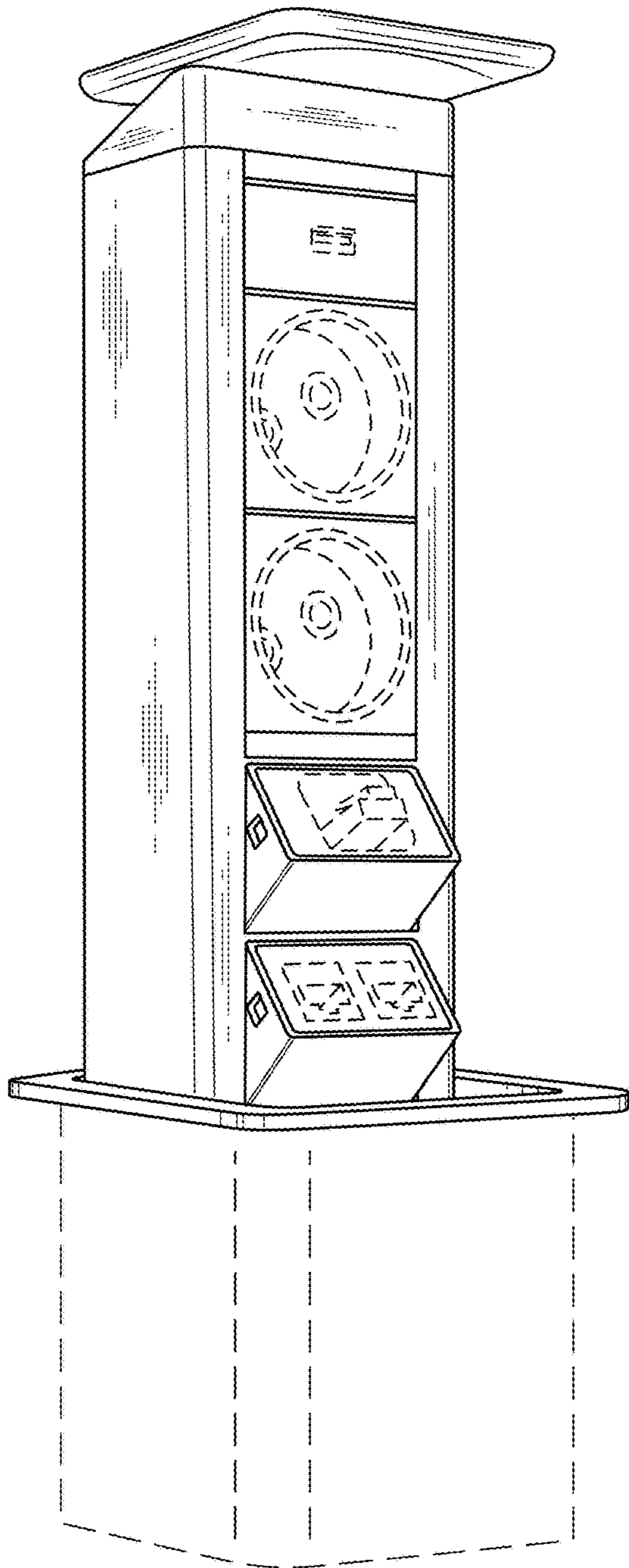


FIG. 1

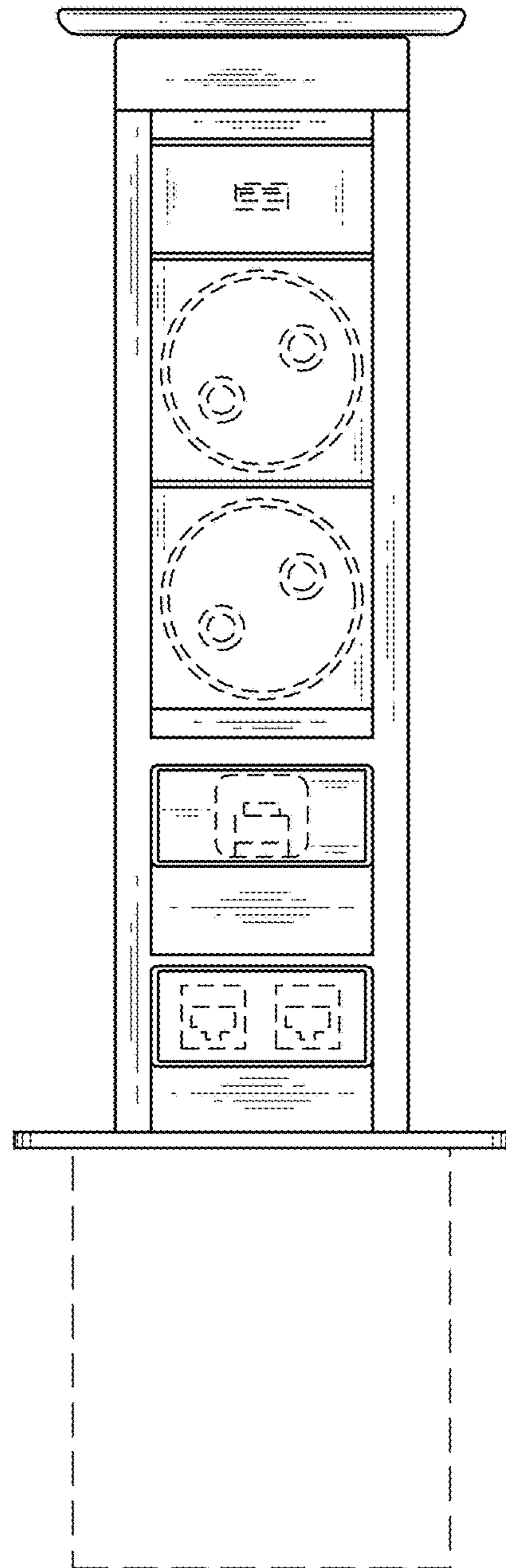


FIG. 2

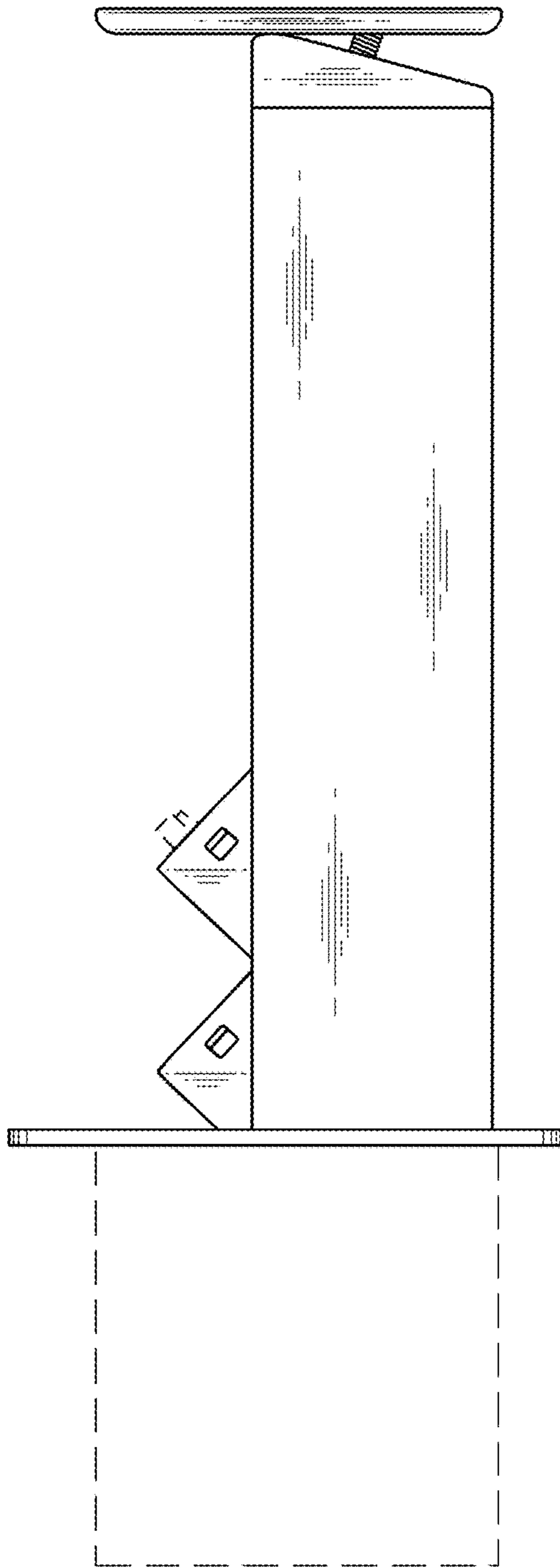


FIG. 3

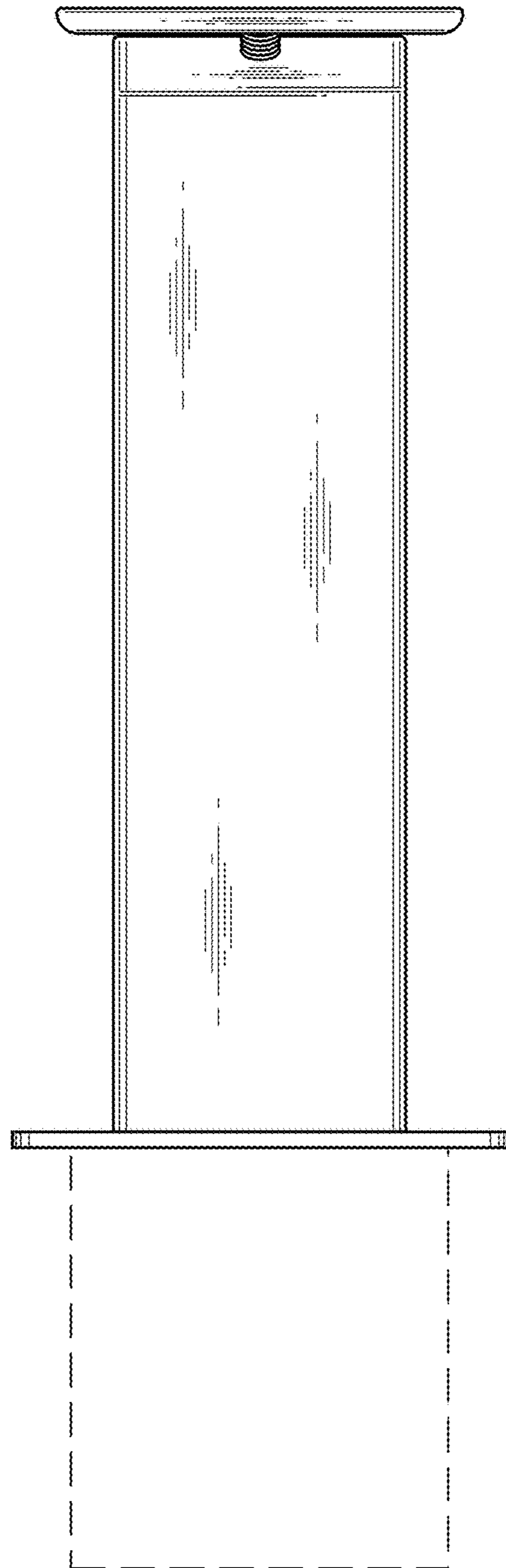


FIG. 4

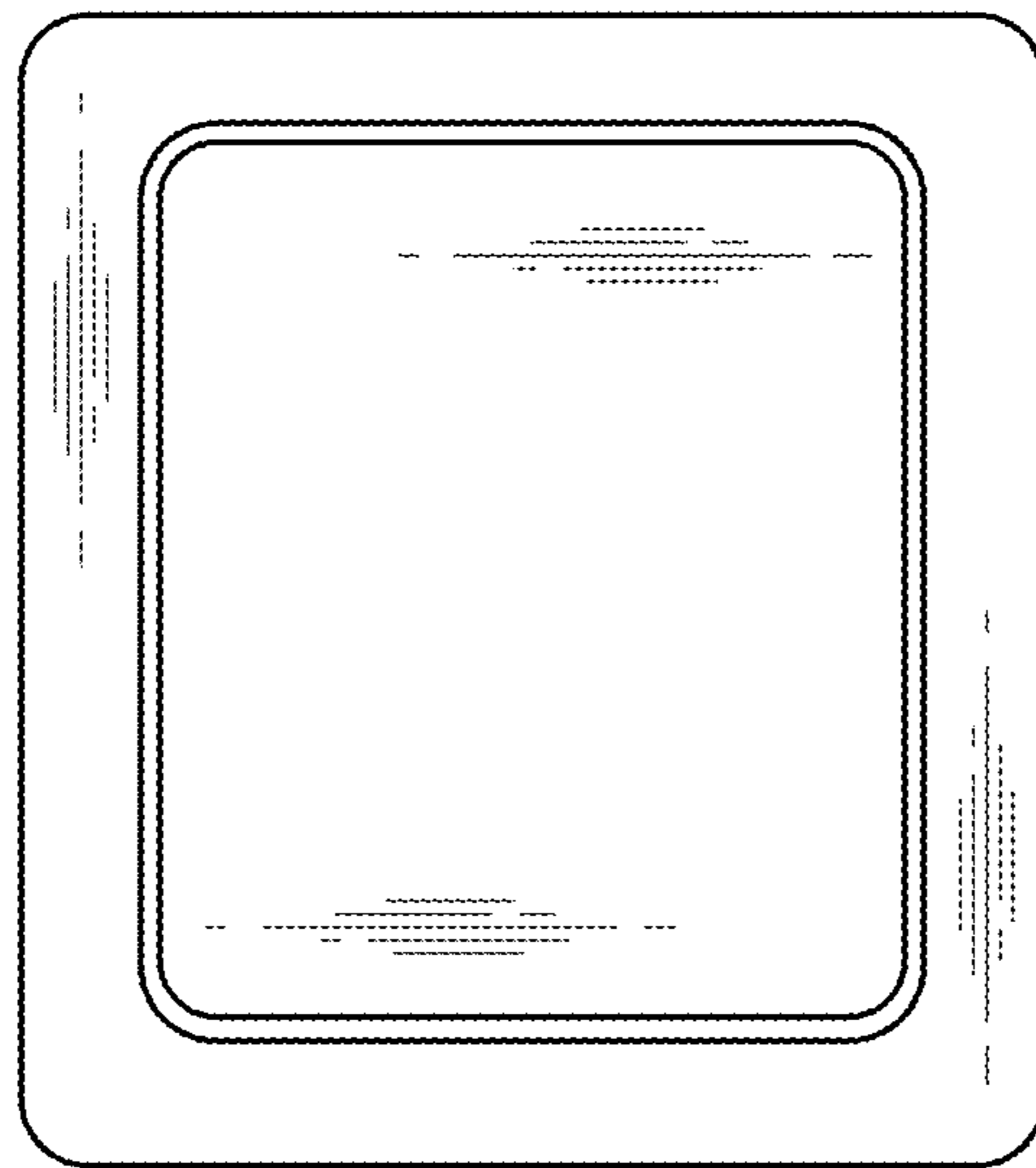


FIG. 5