



US00D800661S

(12) **United States Design Patent** (10) **Patent No.:** **US D800,661 S**
Sasaki (45) **Date of Patent:** **** *Oct. 24, 2017**

(54) **ELECTRICAL CONNECTOR**
(71) Applicant: **HOSIDEN CORPORATION**, Osaka (JP)
(72) Inventor: **Daisuke Sasaki**, Osaka (JP)
(73) Assignee: **HOSIDEN CORPORATION**, Osaka (JP)
(*) Notice: This patent is subject to a terminal disclaimer.
(**) Term: **15 Years**
(21) Appl. No.: **29/576,645**
(22) Filed: **Sep. 6, 2016**
(30) **Foreign Application Priority Data**

Mar. 8, 2016 (JP) 2016-005161
(51) **LOC (10) Cl.** **13-03**
(52) **U.S. Cl.**
USPC **D13/133**
(58) **Field of Classification Search**
USPC D13/101, 102, 103, 107, 108, 110, 118,
D13/119, 123, 133, 134, 135, 146, 147,
D13/148, 149, 150, 151, 153, 154, 155,
D13/156, 173, 184, 199
CPC H01R 13/40; H01R 13/64; H01R 13/66;
H01R 4/00; H01R 4/60; H01R 4/66;
H01R 13/00; H01R 13/44; H01R 13/52;
H01R 13/58; H01R 13/62; H01R 24/38;
H01R 43/00; H01R 43/18; H01R 43/22;
G02B 6/381; G02B 6/4442; G02B 6/42;
G02B 6/40; G02B 6/3897; G02B 6/38;
G02B 6/36; G02B 6/32; G02B 6/26;
G02B 6/24; G02B 6/00
See application file for complete search history.

(56) **References Cited**
U.S. PATENT DOCUMENTS
6,821,024 B2* 11/2004 Bates, III G02B 6/3893
385/76

7,189,008 B2* 3/2007 Dye G02B 6/3851
385/60
2008/0090456 A1* 4/2008 Bernat H01R 13/65802
439/607.41
2009/0318019 A1* 12/2009 Ellis H01R 4/10
439/578

(Continued)

OTHER PUBLICATIONS

Powerpack K and N Series, posted at Kollmorgen.com, posted on Sep. 17, 2014, [online], [site visited May 20, 2017]. Available from Internet, <<https://web.archive.org/web/20140917170446/http://www.kollmorgen.com/en-us/products/motors/stepper/powerpac-k-and-n-series/>>.*

(Continued)

Primary Examiner — Mary Ann Calabrese
Assistant Examiner — Catherine Ho
(74) *Attorney, Agent, or Firm* — Greenblum & Bernstein, P.L.C.

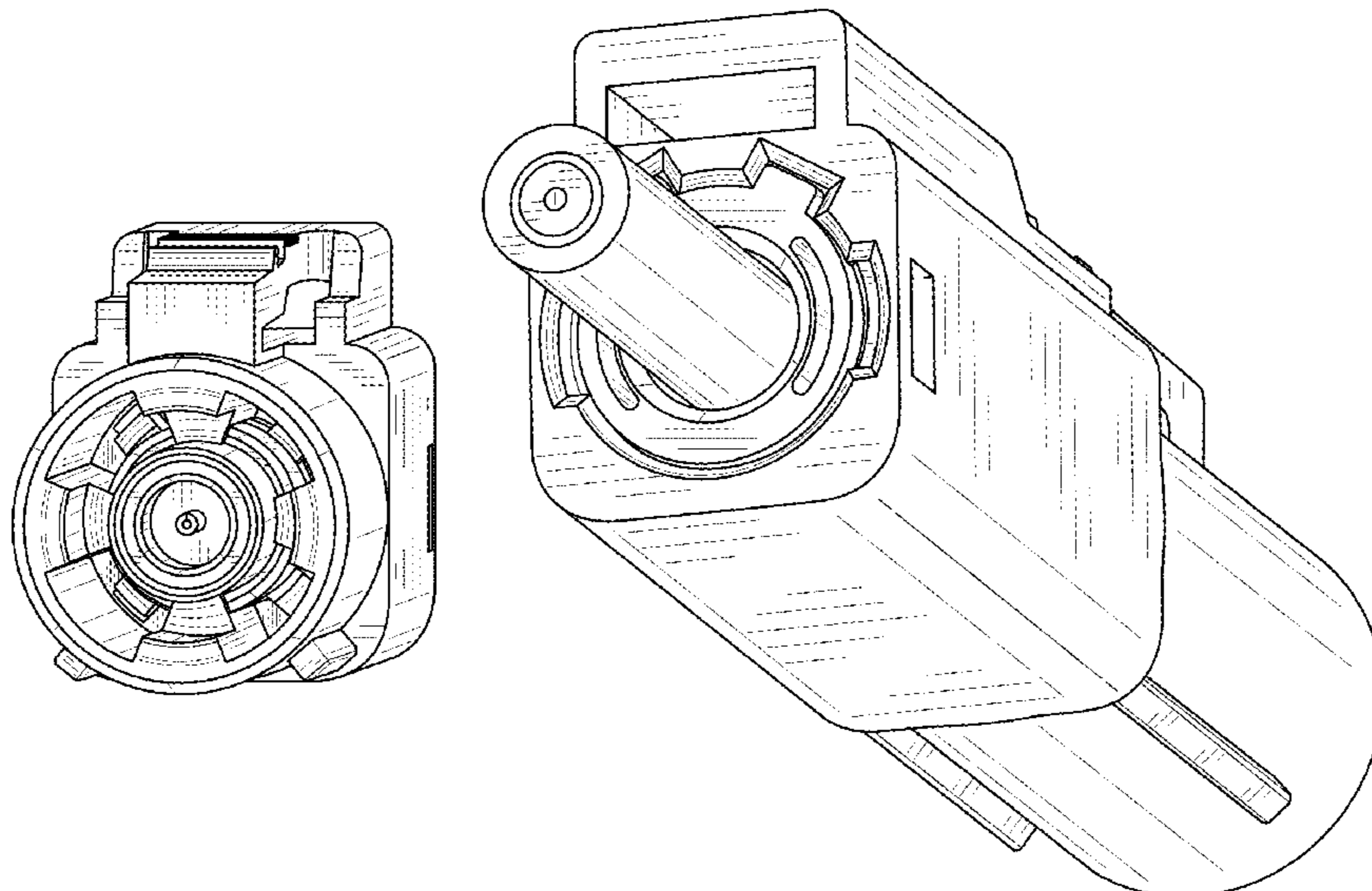
(57) **CLAIM**

I claim the ornamental design for an electrical connector, as shown and described.

DESCRIPTION

FIG. 1 is a top plan view of an electrical connector, showing my new design;
FIG. 2 is a front elevational view thereof;
FIG. 3 is a rear elevational view thereof;
FIG. 4 is a bottom view thereof;
FIG. 5 is a right side elevational view thereof;
FIG. 6 is a left side elevational view thereof;
FIG. 7 is a left perspective view thereof; and,
FIG. 8 is a bottom right perspective view thereof.
The broken line portion of the figure drawings is included to show environmental structure that forms no part of the claimed design.

1 Claim, 6 Drawing Sheets



(56)

References Cited

U.S. PATENT DOCUMENTS

2009/0318023 A1* 12/2009 Block H01R 24/50
439/607.01
2010/0003852 A1* 1/2010 Myer H01R 13/741
439/607.17
2013/0323940 A1* 12/2013 Coffey G02B 6/36
439/38
2015/0110449 A1* 4/2015 Nhep G02B 6/3858
385/81
2015/0236435 A1* 8/2015 Hardy H01R 9/05
439/578

OTHER PUBLICATIONS

RCA Male/Female Right-Angle Adapter, posted at Smcelectronics.com, posted on Feb. 24, 2014, [online], [site visited May 20, 2017]. Available from Internet, <<https://web.archive.org/web/20140224175756/http://www.smcelectronics.com:80/conn.htm>>.*
1/8" Male Mono, posted at Smcelectronics.com, posted on Feb. 24, 2014, [online], [site visited May 20, 2017]. Available from Internet, <<https://web.archive.org/web/20140224175756/http://www.smcelectronics.com:80/conn.htm>>.*
U.S. Appl. No. 29/576,649 to Daisuke Sasaki, filed Sep. 6, 2016.
U.S. Appl. No. 29/576,643 to Daisuke Sasaki, filed Sep. 6, 2016.
U.S. Appl. No. 29/576,638 to Daisuke Sasaki, filed Sep. 6, 2016.

* cited by examiner

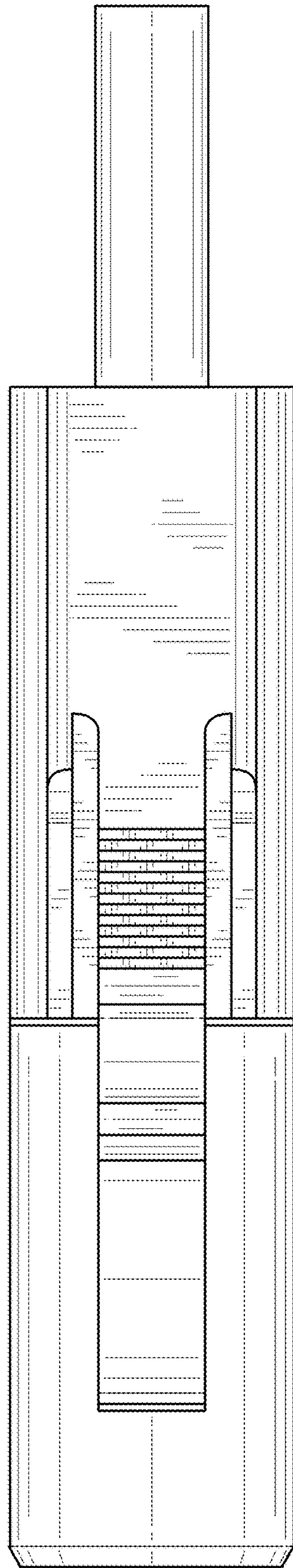


FIG. 1

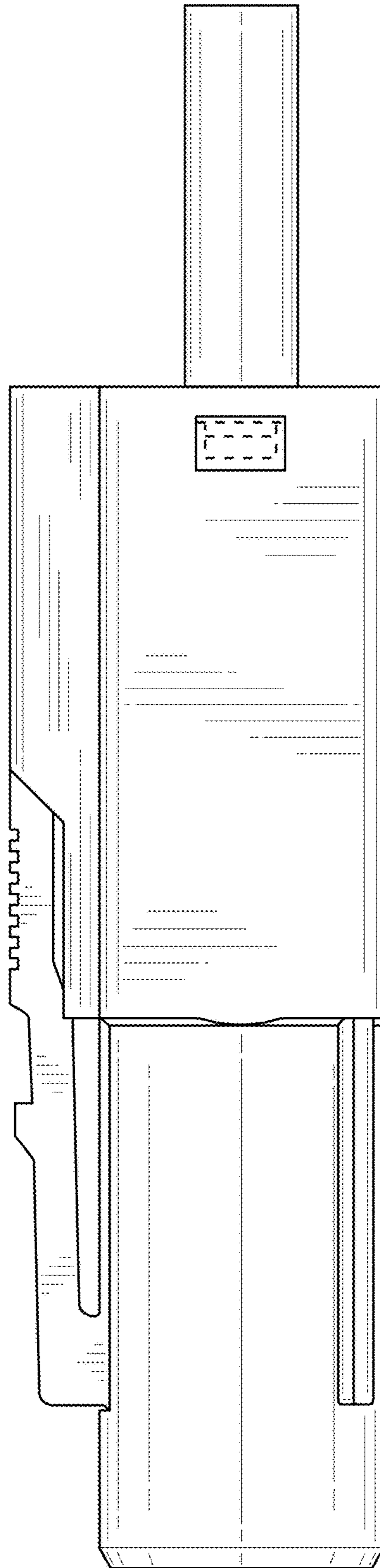


FIG. 2

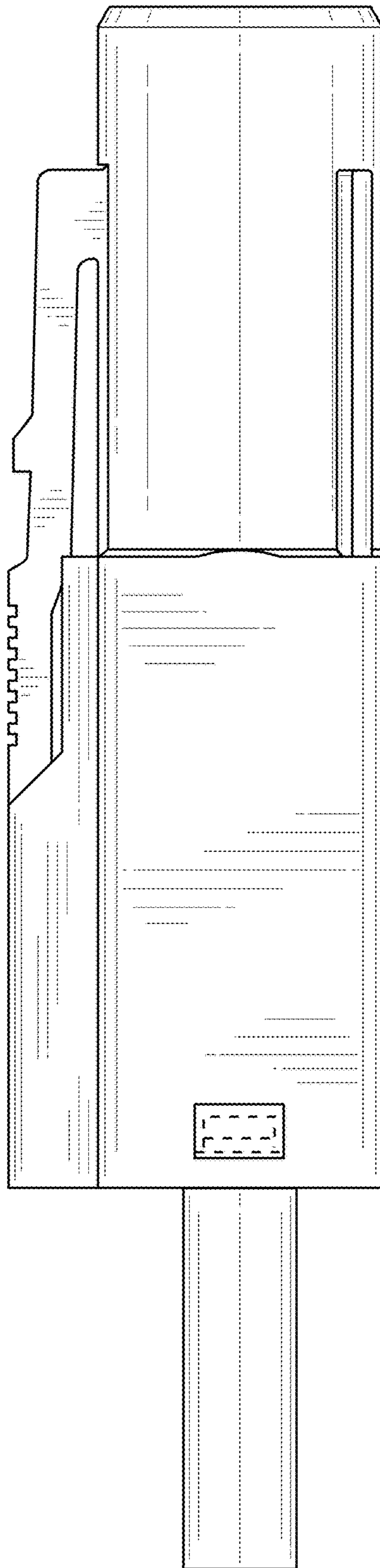


FIG. 3

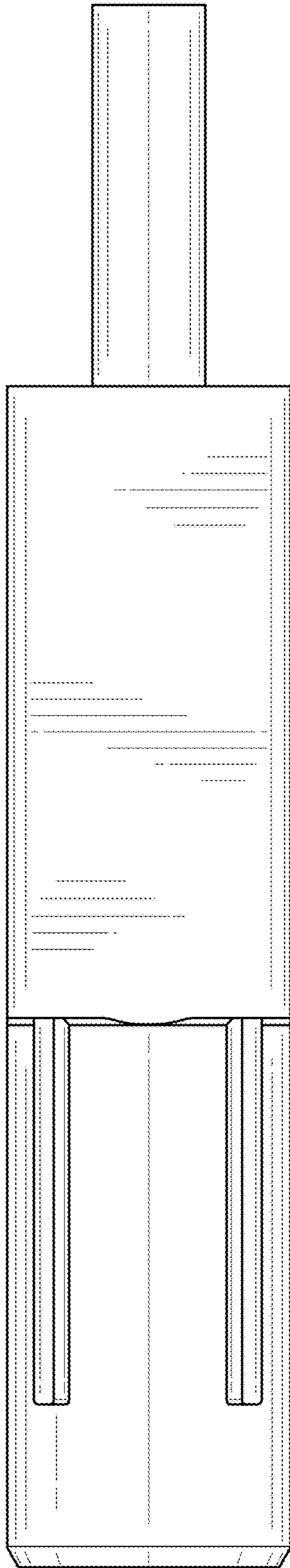


FIG. 4

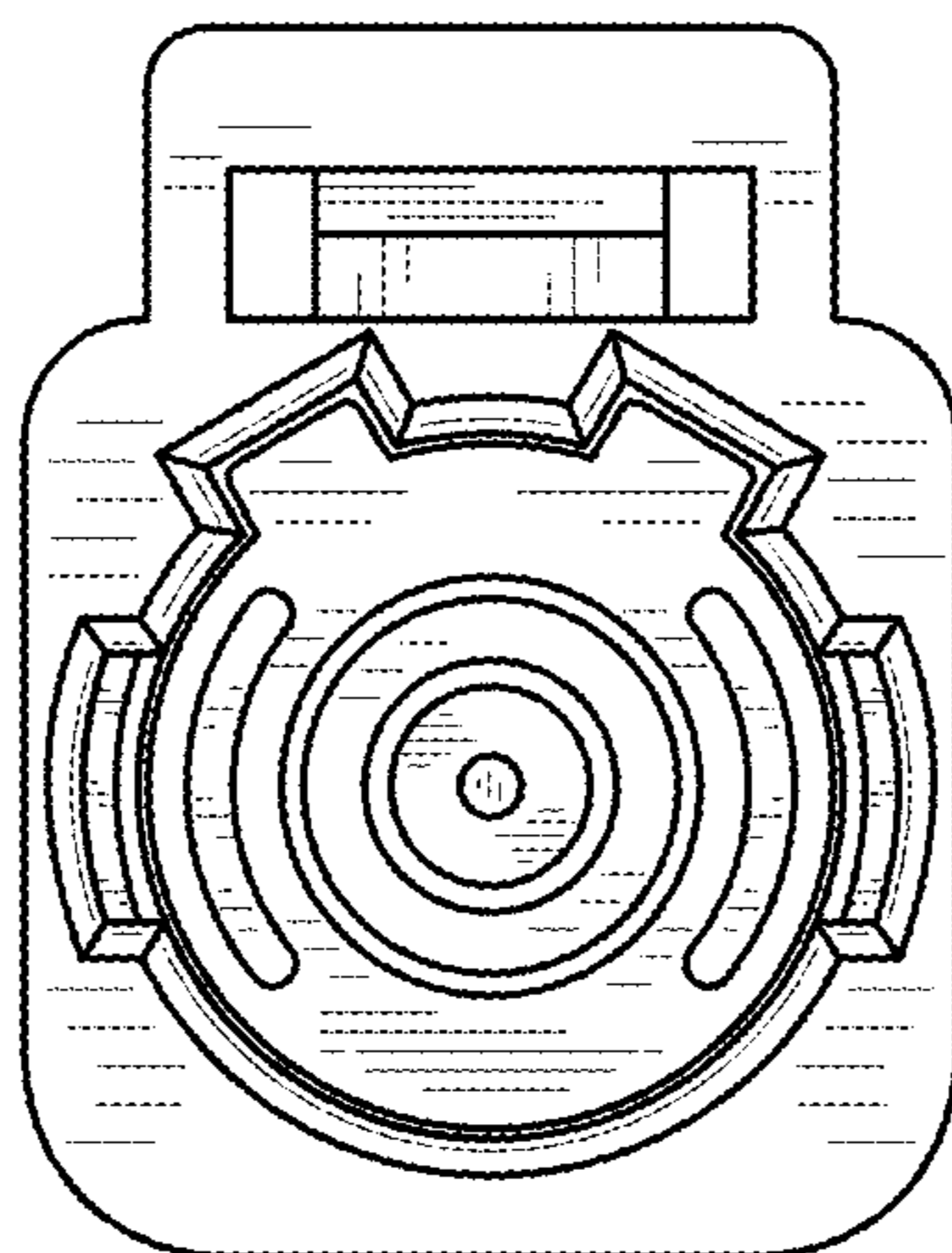


FIG. 5

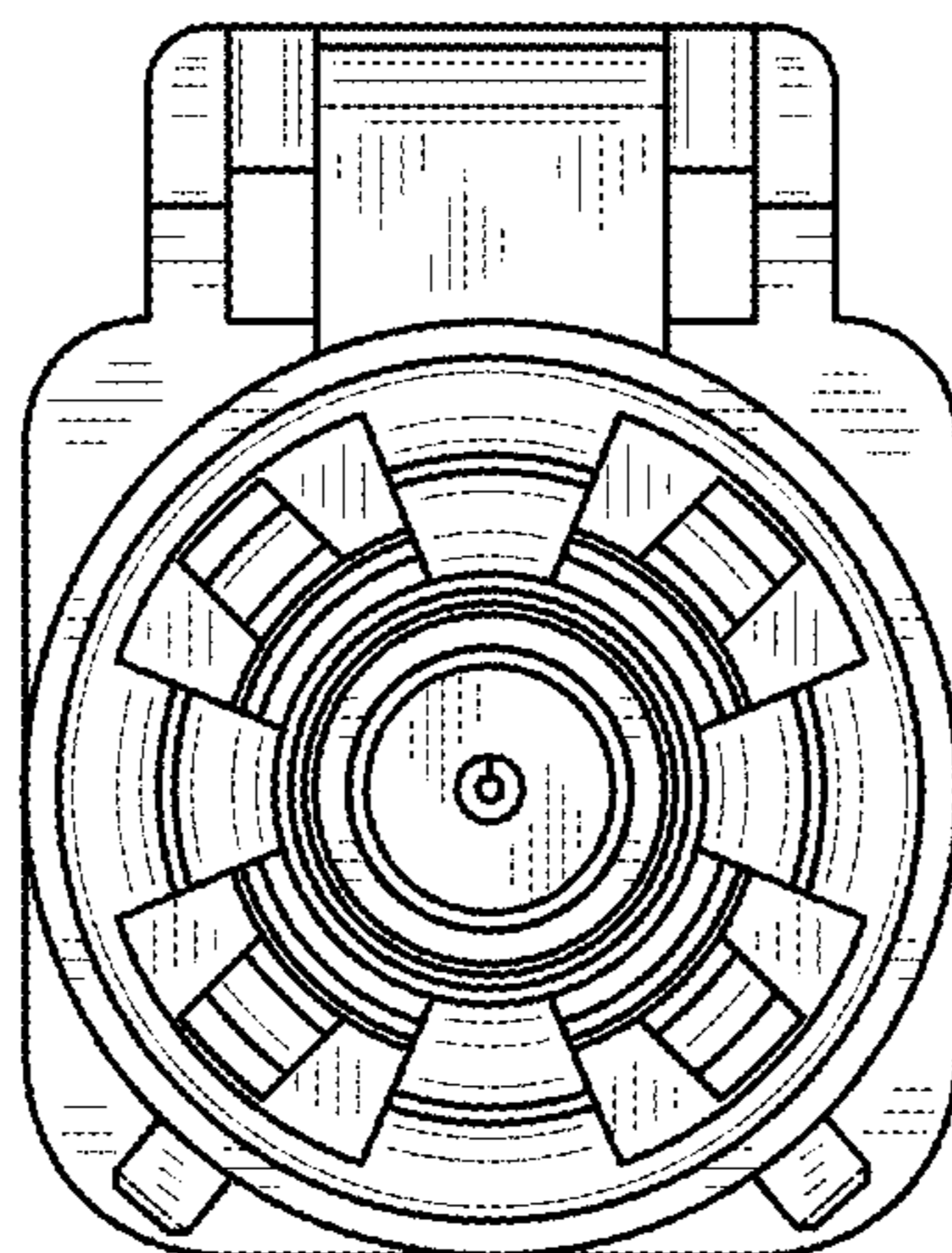


FIG. 6

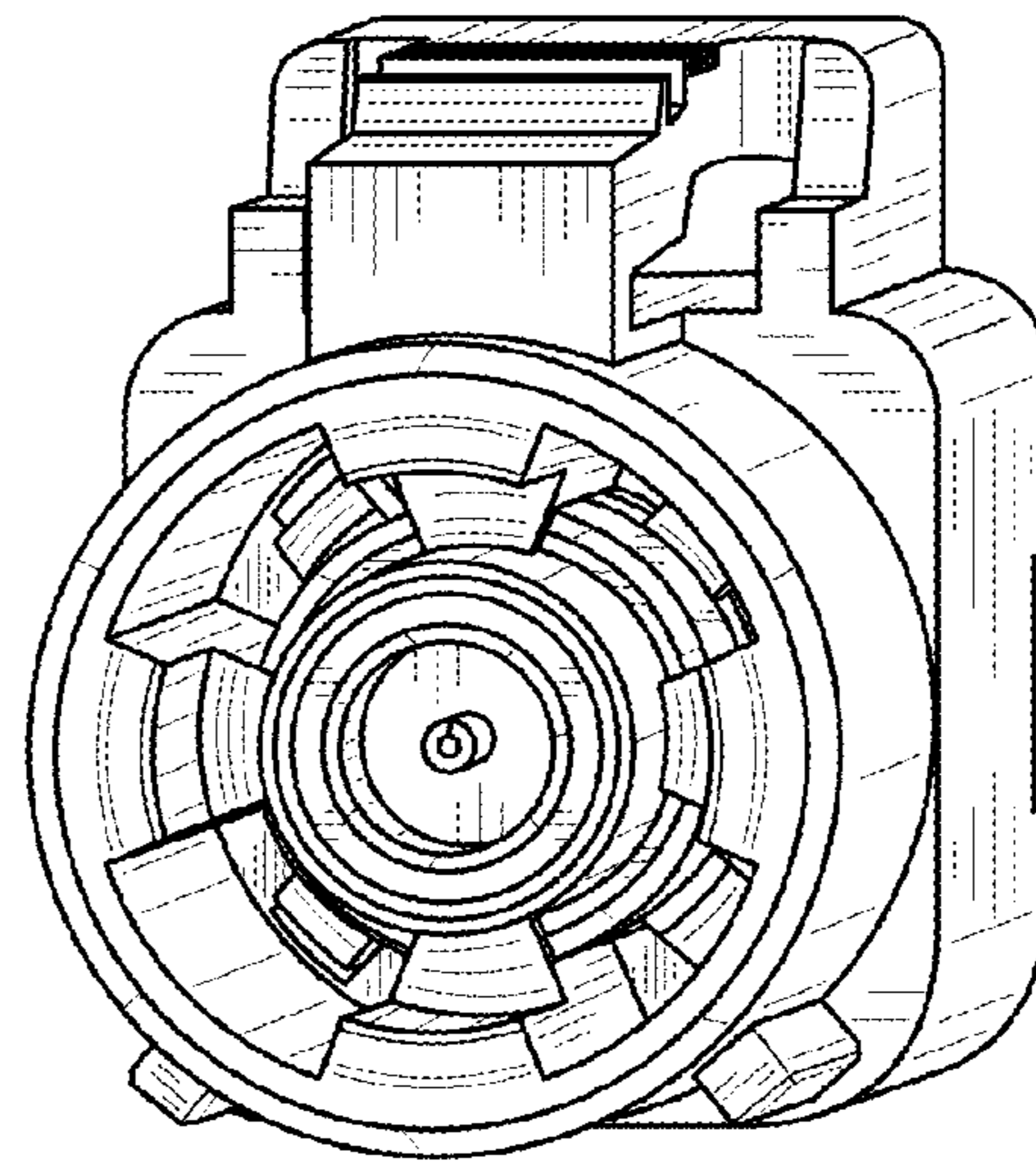


FIG. 7

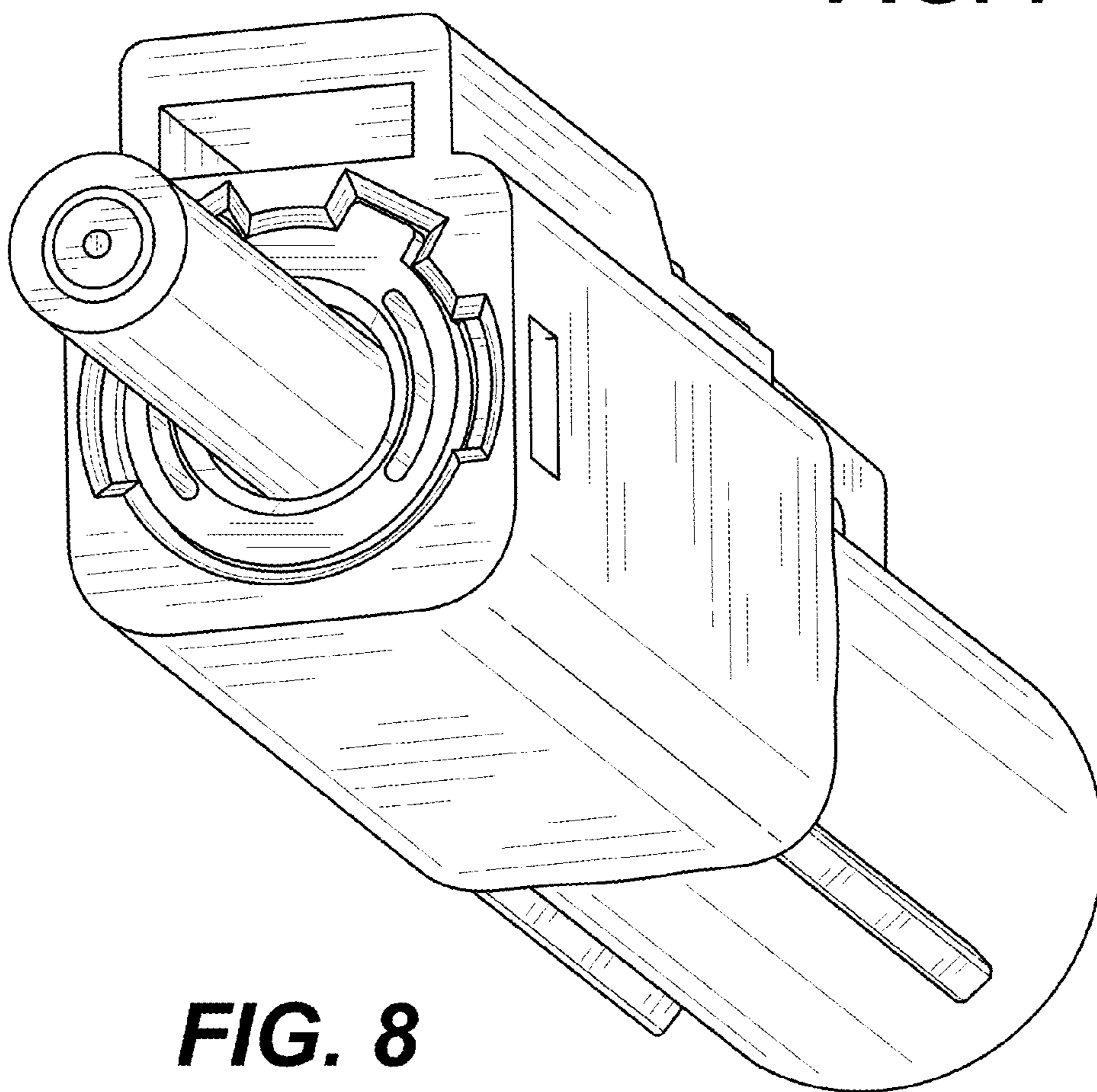


FIG. 8