



US00D800660S

(12) **United States Design Patent** (10) **Patent No.:** **US D800,660 S**  
**de Jong et al.** (45) **Date of Patent:** **\*\* Oct. 24, 2017**

(54) **FIBER OPTIC CONNECTOR**

FOREIGN PATENT DOCUMENTS

(71) Applicant: **CORNING OPTICAL COMMUNICATIONS LLC**, Hickory, NC (US)

EP 0152422 B1 4/1987  
EP 1249282 A2 10/2002  
(Continued)

(72) Inventors: **Michael de Jong**, Colleyville, TX (US); **Alyson Paige Moore**, Newton, NC (US); **Brian Keith Rhoney**, Hickory, NC (US); **Carol Lee Buhrmaster Sparks**, Hickory, NC (US)

OTHER PUBLICATIONS

Popsicle Stick Playing Cards, dated May 30, 2016, [online], [site visited Jun. 6, 2017]. Available from Internet, <URL: <http://www.instructables.com/id/Popsicle-Stick-Playing-Cards/>>.\*

(Continued)

(73) Assignee: **CORNING OPTICAL COMMUNICATIONS LLC**, Hickory, NC (US)

*Primary Examiner* — Thomas Johannes  
*Assistant Examiner* — Shawn T Gingrich  
(74) *Attorney, Agent, or Firm* — Adam R. Weeks

(\*\*) Term: **15 Years**

(21) Appl. No.: **29/529,307**

(57) **CLAIM**

The design for a fiber optic connector, as shown and described.

(22) Filed: **Jun. 5, 2015**

(51) **LOC (10) Cl.** ..... **13-03**

(52) **U.S. Cl.**  
USPC ..... **D13/133**

**DESCRIPTION**

(58) **Field of Classification Search**  
USPC ..... D13/101, 107, 112, 113, 118, 120, 123, D13/129–135, 149, 151, 154, 156, D13/158–160, 173, 184, 199  
CPC ..... H01R 33/00; H01R 13/00; H01R 13/44; H01R 13/62; H01R 13/63; H01R 9/00; H01R 9/05; H01R 9/24; H01H 9/00; H01H 9/02; H02G 3/14; G02B 6/36; G02B 6/44;

FIG. 1 is a perspective view of a fiber optic connector according to a first embodiment.  
FIG. 2 is a top plan view of the fiber optic connector of FIG. 1.  
FIG. 3 is a bottom view of the fiber optic connector of FIG. 1.  
FIG. 4 is a left side elevation view of the fiber optic connector of FIG. 1.  
FIG. 5 is a right side elevation view of the fiber optic connector of FIG. 1.  
FIG. 6 is a back side elevation view of the fiber optic connector of FIG. 1; and,  
FIG. 7 is a front side elevation view of the fiber optic connector of FIG. 1.

(Continued)

The broken dash-dash broken line portion of the figure drawings is included to show portions of the article that form no part of the claimed design. The dash-dot broken line

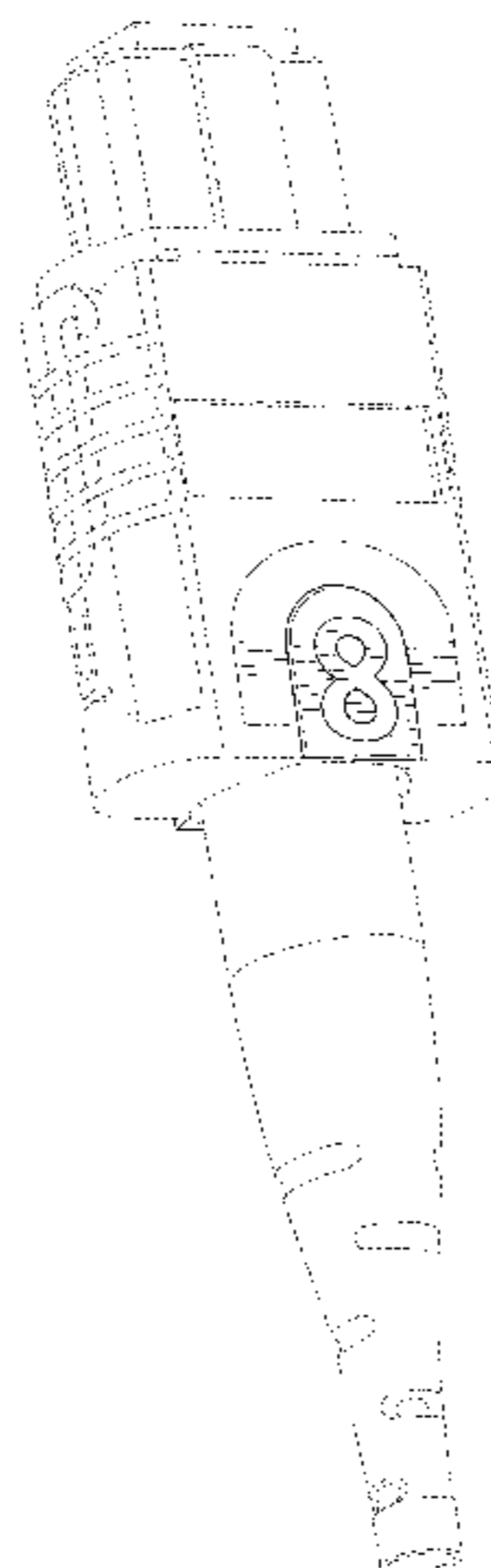
(56) **References Cited**

U.S. PATENT DOCUMENTS

D103,627 S \* 3/1937 Beria ..... D18/12.2  
D245,024 S \* 7/1977 Genin ..... 361/679.21

(Continued)

(Continued)



portion of the figure drawings is included to show the boundary of the claim and form no part of the claimed design.

**1 Claim, 6 Drawing Sheets**

**(58) Field of Classification Search**

CPC ... G02B 6/38; G02B 6/42; H01B 7/00; H01B 9/00; H01B 9/05; H01B 9/24; H01B 13/00; H01B 13/44; H01B 13/62

See application file for complete search history.

**(56) References Cited**

U.S. PATENT DOCUMENTS

4,640,575	A	2/1987	Dumas	
4,991,929	A	2/1991	Bowen et al.	
5,220,703	A	6/1993	Kanayama et al.	
D374,029	S *	9/1996	Stokes	D18/7
5,590,230	A *	12/1996	Cheng	G02B 6/3887 385/136
5,956,793	A	9/1999	Cox	
6,004,042	A	12/1999	Million et al.	
6,209,162	B1	4/2001	Clairadin et al.	
6,209,163	B1	4/2001	Clairadin et al.	
6,227,717	B1	5/2001	Ott et al.	
D454,350	S *	3/2002	Jang	D14/400
6,634,732	B2	10/2003	Farr et al.	
6,681,437	B1	1/2004	Miyake et al.	
6,712,524	B2	3/2004	Beatty et al.	
6,853,794	B2	2/2005	Lu et al.	
6,854,152	B2	2/2005	Loder et al.	
D515,093	S *	2/2006	Hawkins	D14/392
7,186,038	B2	3/2007	Hovland et al.	
7,245,813	B2	7/2007	Brown et al.	
7,566,176	B2	7/2009	Lytte et al.	
7,572,066	B2	8/2009	de Jong et al.	
7,588,375	B2	9/2009	Hovland et al.	
7,611,222	B2	11/2009	Cray et al.	
8,118,494	B2	2/2012	Larson et al.	
8,126,307	B2	2/2012	Hovland et al.	
8,330,944	B2	12/2012	Liu et al.	
D679,316	S *	4/2013	Robbirds	D18/6
8,559,781	B2	10/2013	Childers et al.	
8,579,518	B2	11/2013	Isenhour et al.	
8,594,479	B2	11/2013	Liu et al.	
8,705,931	B2	4/2014	Liu et al.	
8,757,894	B2	6/2014	Kato	
8,855,458	B2	10/2014	Belenkiy et al.	
9,103,996	B2 *	8/2015	Lin	G02B 6/3898
2002/0006261	A1	1/2002	Krow, Jr. et al.	
2002/0166190	A1	11/2002	Miyake et al.	
2003/0002815	A1	1/2003	Tanaka et al.	
2003/0039463	A1	2/2003	Miyake	
2003/0098045	A1	5/2003	Loder et al.	

2005/0069264	A1 *	3/2005	Luther	G02B 6/3821 385/59
2005/0105859	A1	5/2005	Gerhard	
2005/0147361	A1	7/2005	Hovland et al.	
2005/0286853	A1	12/2005	Fujiwara et al.	
2006/0045428	A1	3/2006	Theuerkorn et al.	
2006/0285814	A1	12/2006	Brown et al.	
2008/0034519	A1	2/2008	Fujiwara	
2009/0310923	A1	12/2009	Hovland et al.	
2010/0098381	A1	4/2010	Larson et al.	
2010/0303425	A1	12/2010	Liu	
2010/0319152	A1	12/2010	Prizepasniak	
2010/0322568	A1 *	12/2010	Zimmel	G02B 6/3885 385/81
2011/0188813	A1	8/2011	Marcouiller et al.	
2011/0229088	A1	9/2011	Isenhour et al.	
2012/0057841	A1	3/2012	Wysocki et al.	
2012/0093467	A1	4/2012	Mullady et al.	
2012/0152275	A1	6/2012	Chia et al.	
2012/0321255	A1	12/2012	Kewitsch	
2013/0209042	A1 *	8/2013	Belenkiy	G02B 6/36 385/78
2013/0266268	A1 *	10/2013	Li	G02B 6/3839 385/81
2013/0308909	A1	11/2013	Barnette, Jr. et al.	
2014/0072265	A1	3/2014	Ott	
2014/0124140	A1	5/2014	Verheyden et al.	
2015/0010276	A1 *	1/2015	Good	G02B 6/3831 385/78
2015/0023646	A1	1/2015	Belenkiy et al.	
2015/0030289	A1 *	1/2015	Jiang	G02B 6/3898 385/76
2015/0063759	A1	3/2015	Barnette, Jr. et al.	
2015/0378113	A1 *	12/2015	Good	G02B 6/3883 385/71
2016/0349459	A1 *	12/2016	Collier	G02B 6/3849

FOREIGN PATENT DOCUMENTS

JP	2002219421	A	8/2002
WO	2009040565	A1	4/2009
WO	2014091359	A1	6/2014
WO	2015017170	A1	2/2015

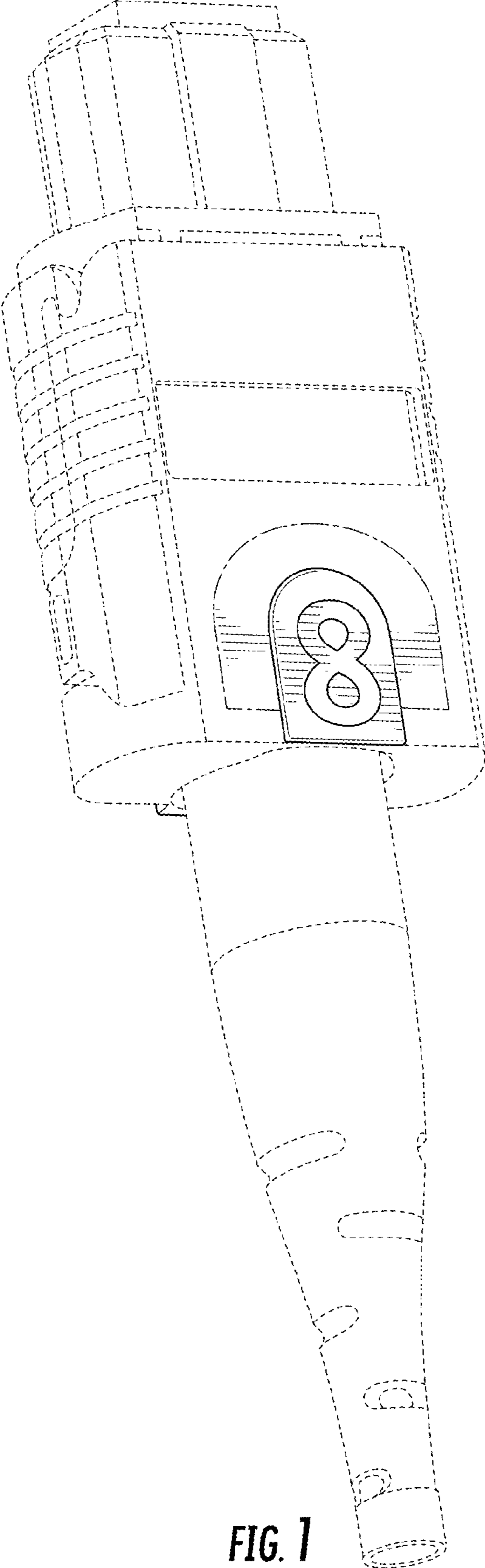
OTHER PUBLICATIONS

Smart Snacks Number Pops, dated Mar. 27, 2015, [online], [site visited Jun. 6, 2017]. Available from Internet, <URL: <http://www.educationaltoysplanet.com/smart-snacks-number-pops-counting-toy.html>>.\*

Make your own popsicle stick puzzle, dated Oct. 29, 2012, [online], [site visited Feb. 17, 2017]. Available from Internet, <URL: <http://www.mamamiss.com/2012/07/12/busy-bag-popsicle-stick-puzzle-free-printable/>>.\*

Patent Cooperation Treaty International Search Report, Application No. PCT/US2013/041297, Jul. 31, 2013, 5 pages.

\* cited by examiner



**FIG. 1**

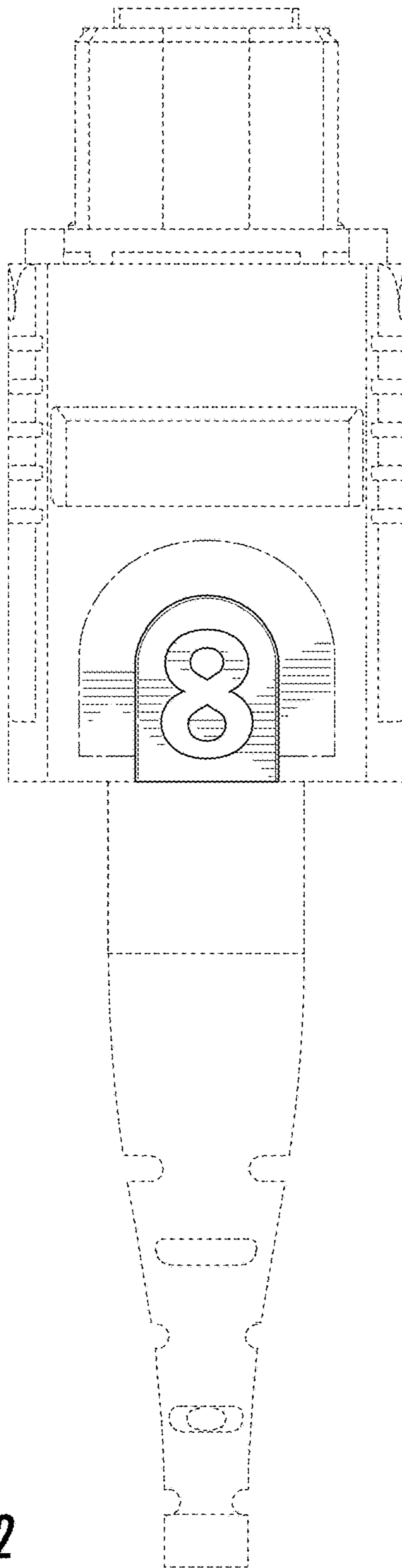
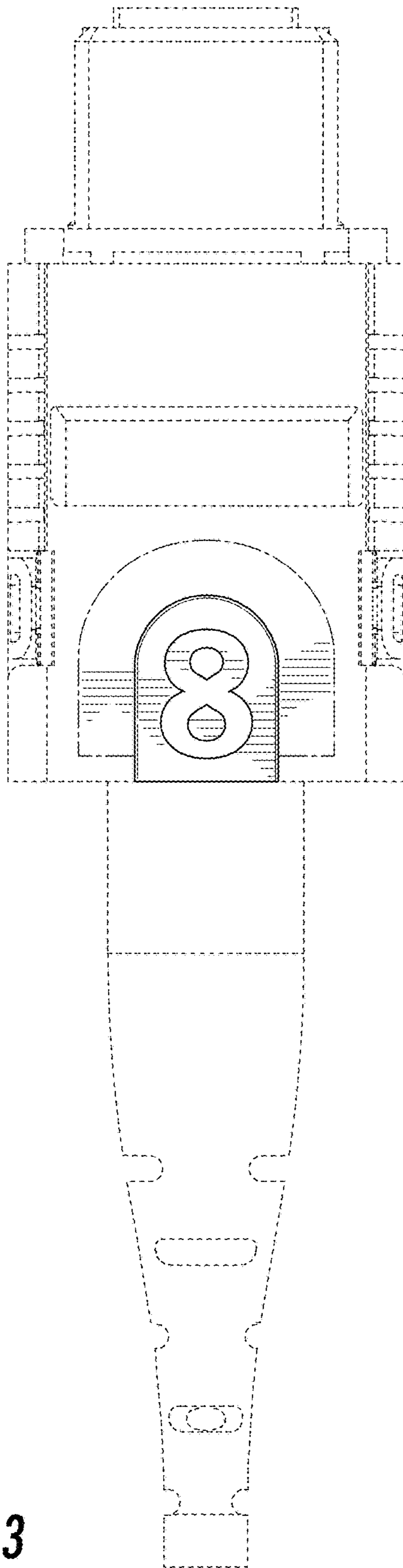


FIG. 2



**FIG. 3**

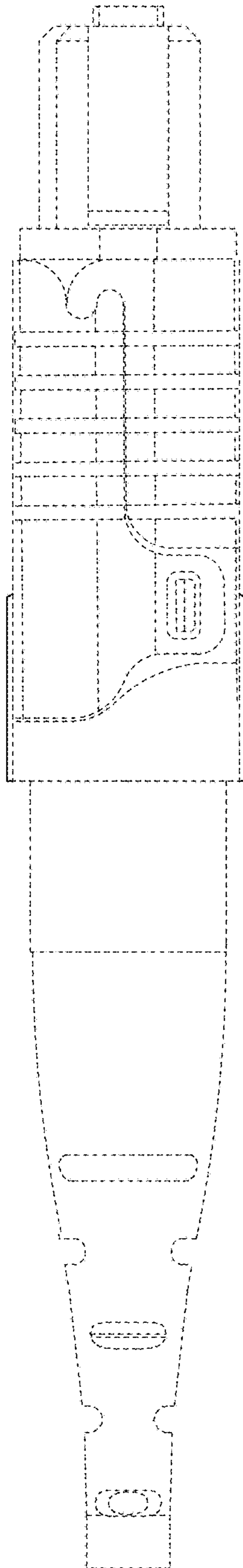


FIG. 4

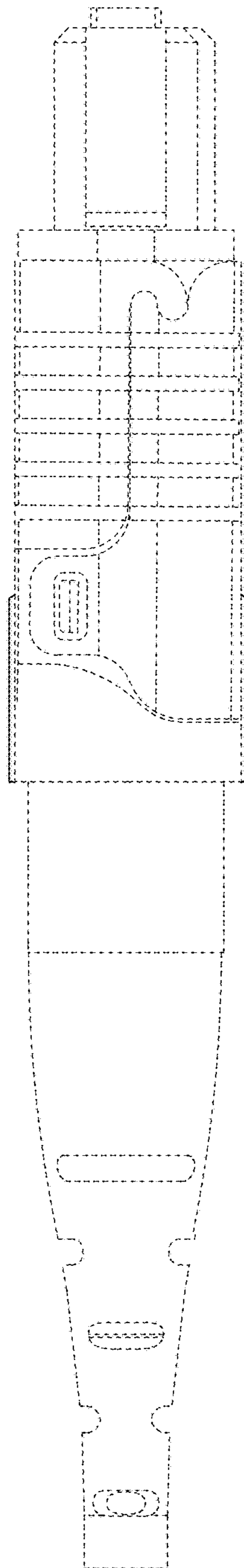
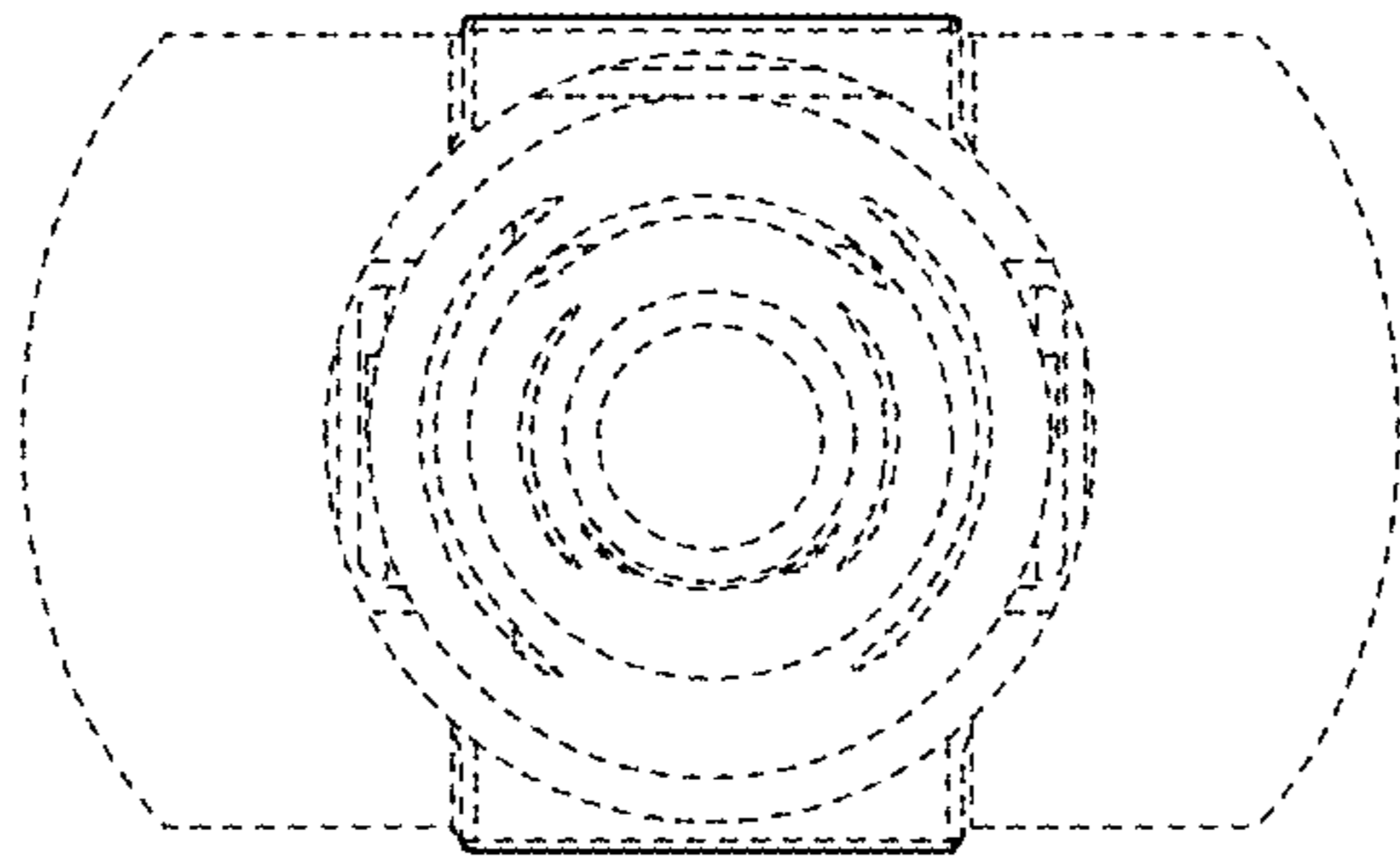
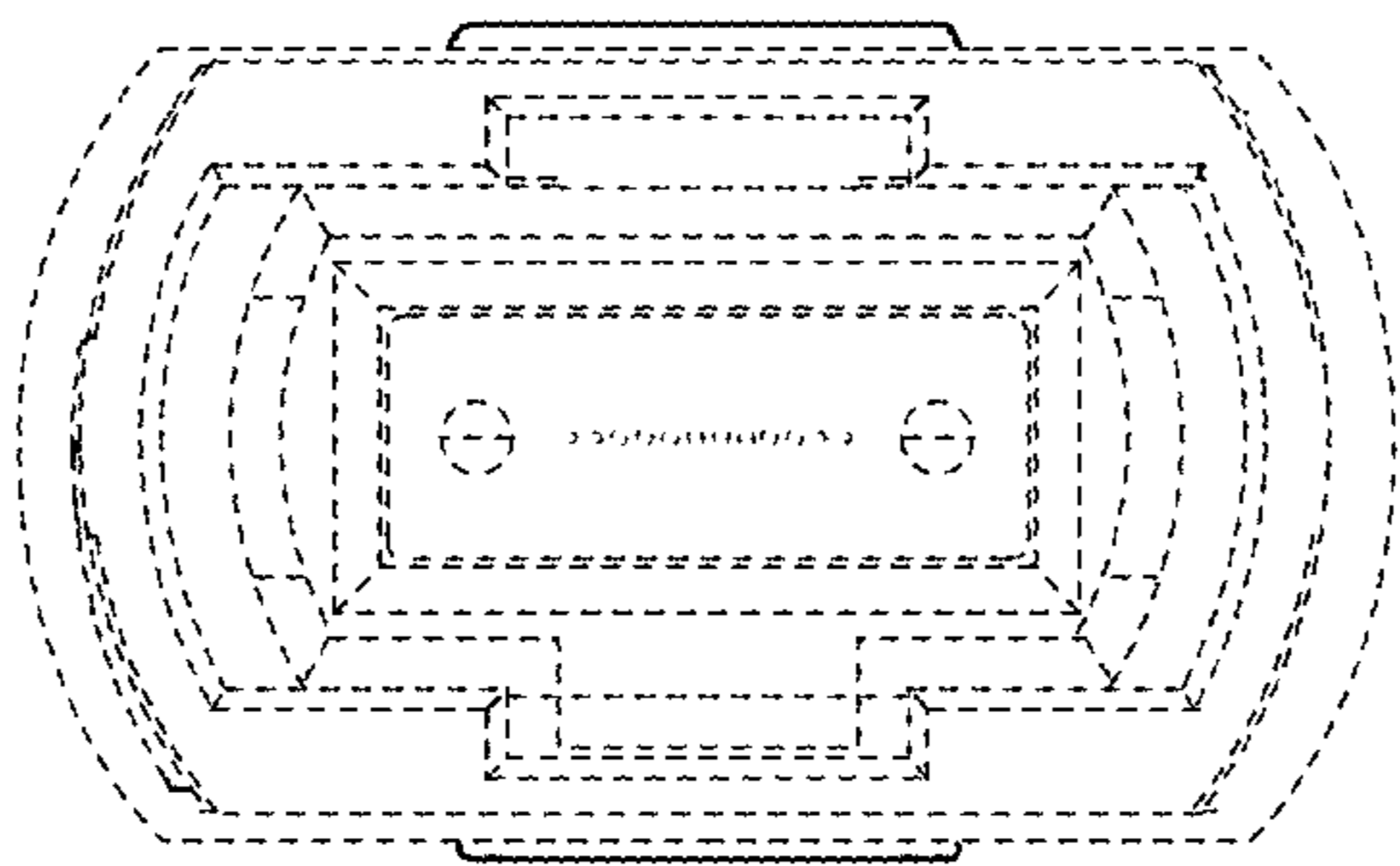


FIG. 5



**FIG. 6**



**FIG. 7**