



US00D800655S

(12) **United States Design Patent** (10) **Patent No.:** **US D800,655 S**
Tiggemann (45) **Date of Patent:** **** Oct. 24, 2017**

(54) **DRIVE FOR A FILTER UNIT**

(71) Applicant: **GEA Mechanical Equipment GmbH,**
Oelde (DE)

(72) Inventor: **Verena Tiggemann,** Ennigerloh (DE)

(73) Assignee: **GEA Mechanical Equipment GmbH,**
Oelde (DE)

(**) Term: **15 Years**

(21) Appl. No.: **29/563,003**

(22) Filed: **May 2, 2016**

(30) **Foreign Application Priority Data**

Nov. 3, 2015 (EM) 002846428

(51) **LOC (10) Cl.** **13-01**

(52) **U.S. Cl.**
USPC **D13/112**

(58) **Field of Classification Search**

USPC D13/112, 114, 101, 110, 118, 184, 199;
D15/199; 160/7, 8, 9, 176.1 P, 330, 332,
160/339, 343; 310/83, 90, 98; 322/13,
322/15, 16, 17, 38, 39; D14/217, 239,
D14/260

CPC .. H02K 5/18; H02K 5/20; H02K 3/24; H02K
3/47; F02B 63/04

See application file for complete search history.

(56) **References Cited**

U.S. PATENT DOCUMENTS

D118,648 S *	1/1940	Piffath	D13/114
D387,598 S *	12/1997	Liu	D13/112
D396,448 S *	7/1998	Will	D13/112
D682,783 S *	5/2013	Chen	D13/112
D691,948 S *	10/2013	Dasbach	D13/112
D701,168 S *	3/2014	Hiemer	D13/112

* cited by examiner

Primary Examiner — Derrick Holland

(74) *Attorney, Agent, or Firm* — Crowell & Moring LLP

(57) **CLAIM**

The ornamental design for a drive for a filter unit, as shown and described.

DESCRIPTION

FIG. 1 is a left, side perspective view of a drive for a filter unit according to the design;

FIG. 2 is a rear, bottom perspective view thereof;

FIG. 3 is a front, top perspective view thereof;

FIG. 4 is a right side view thereof;

FIG. 5 is a left side view thereof;

FIG. 6 is a front view thereof;

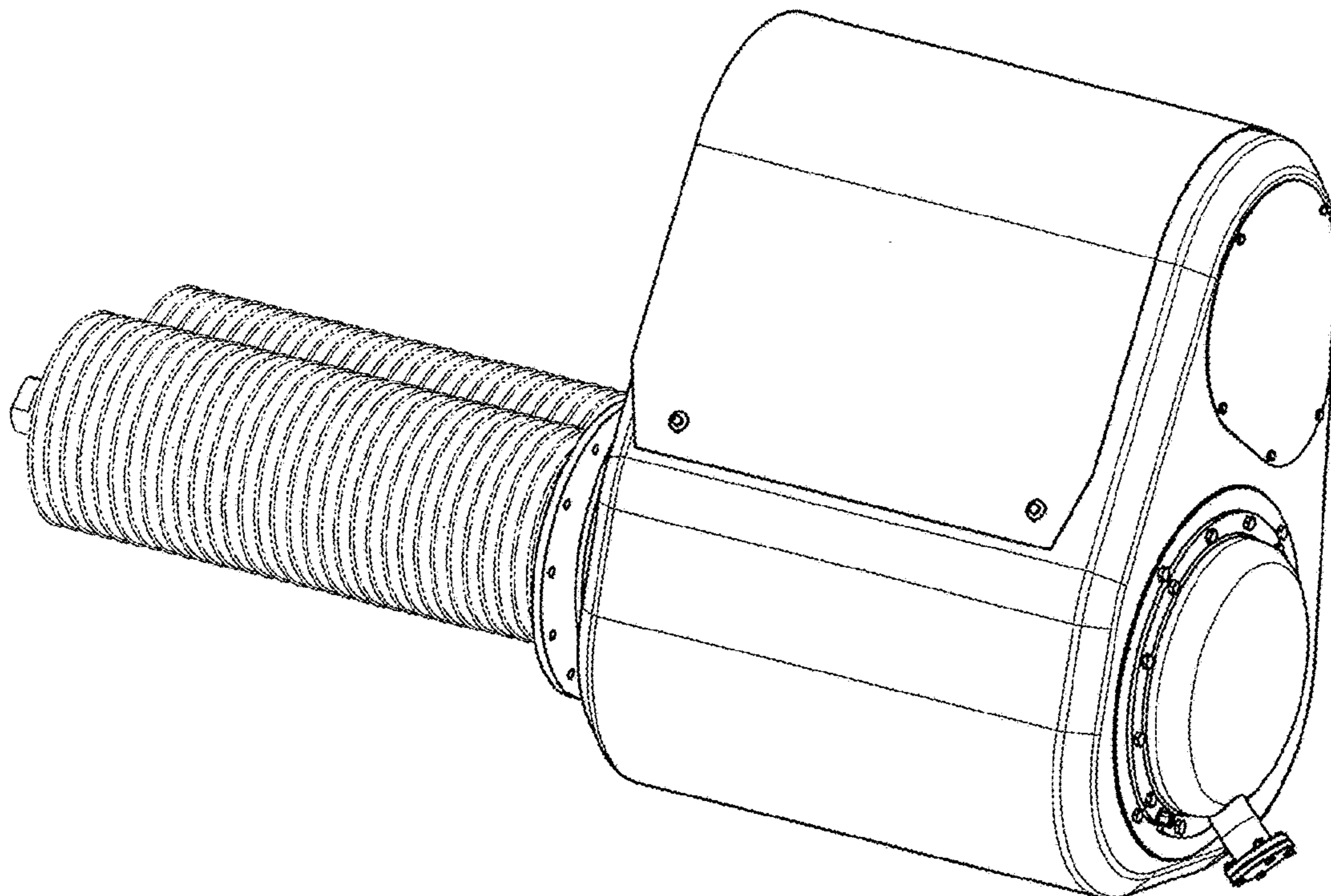
FIG. 7 is a rear view thereof;

FIG. 8 is a bottom view thereof; and,

FIG. 9 is a top view thereof.

The broken lines shown represent unclaimed subject matter and form no part of the claimed design.

1 Claim, 9 Drawing Sheets



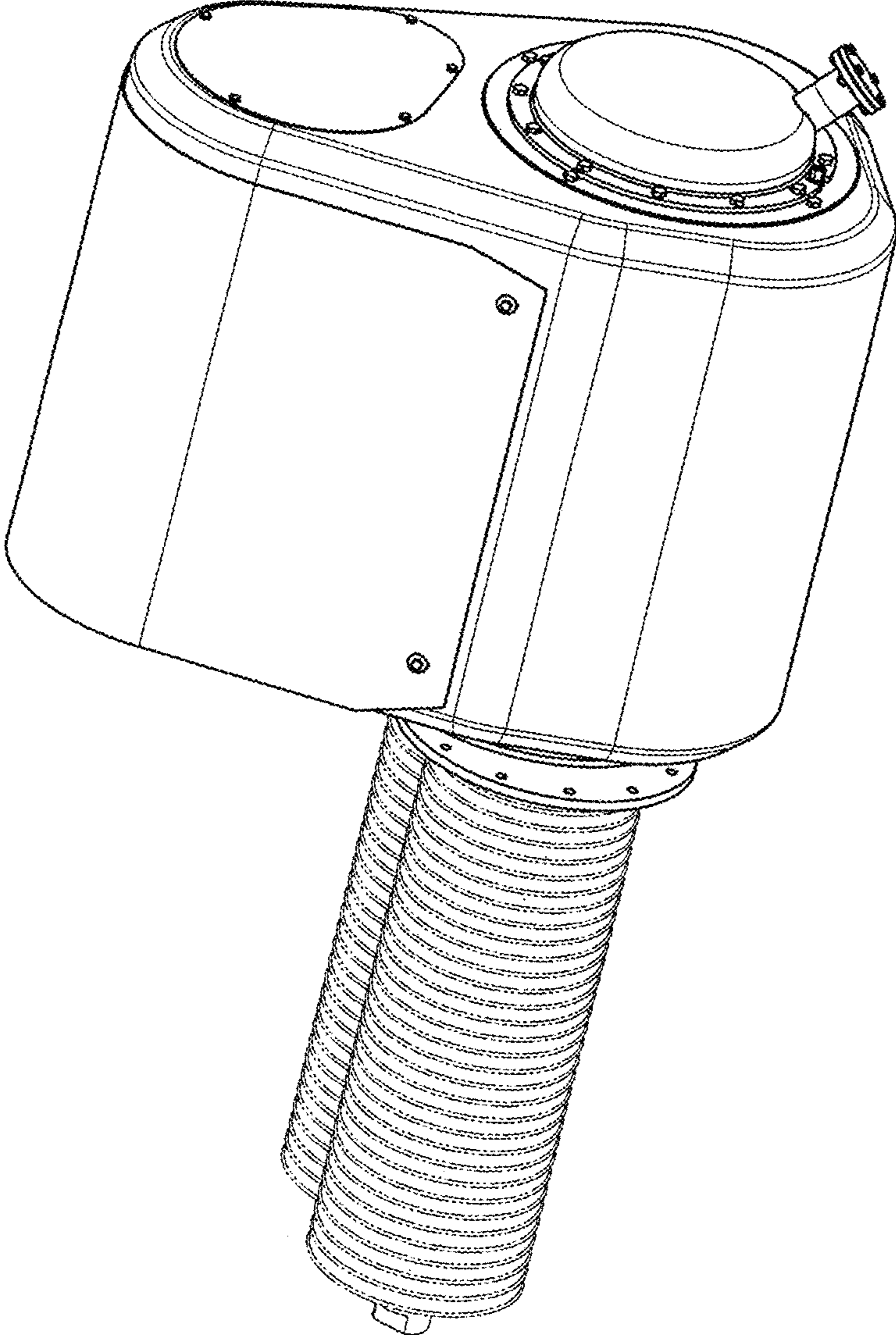


Fig. 1

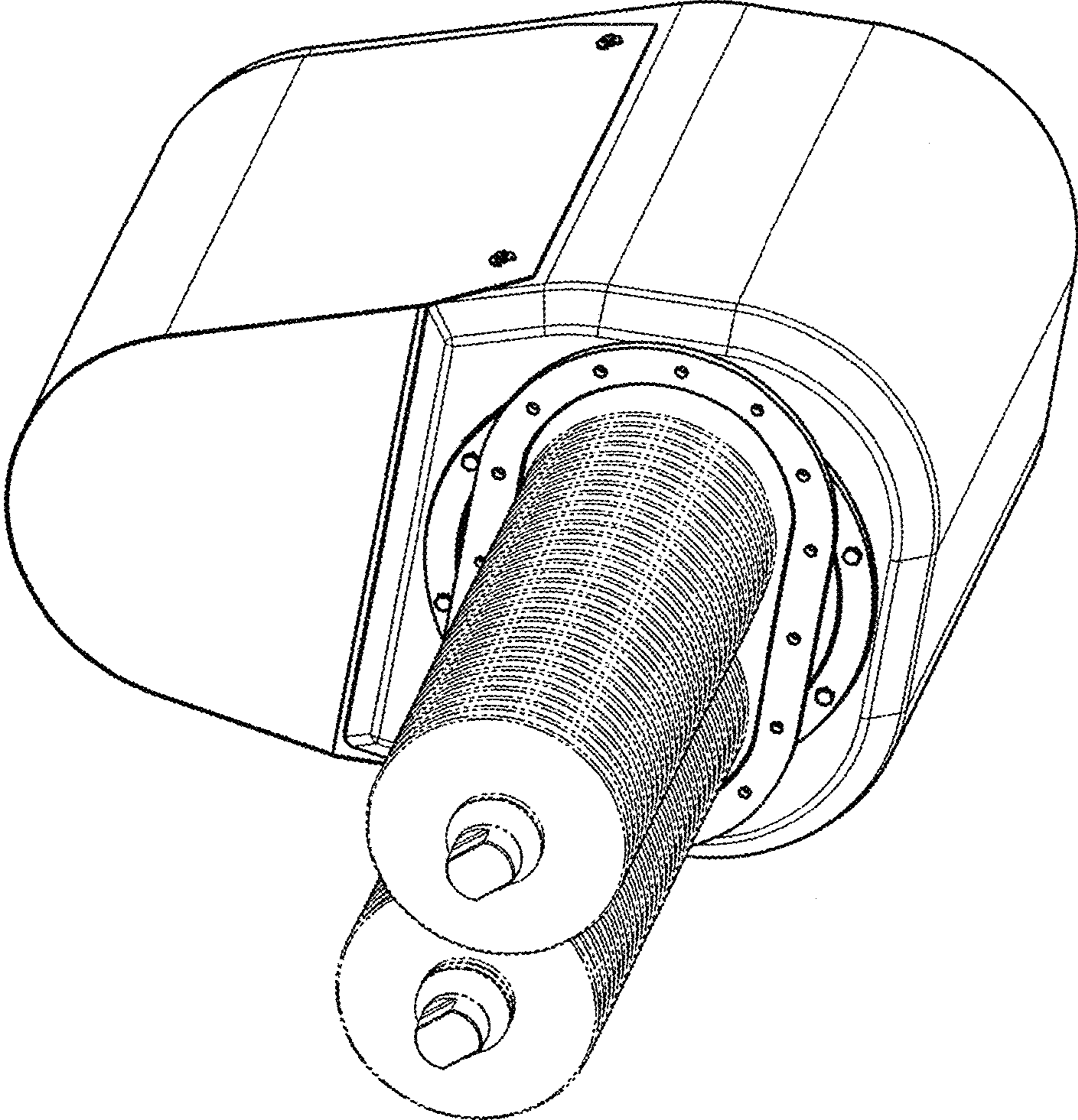


Fig. 2

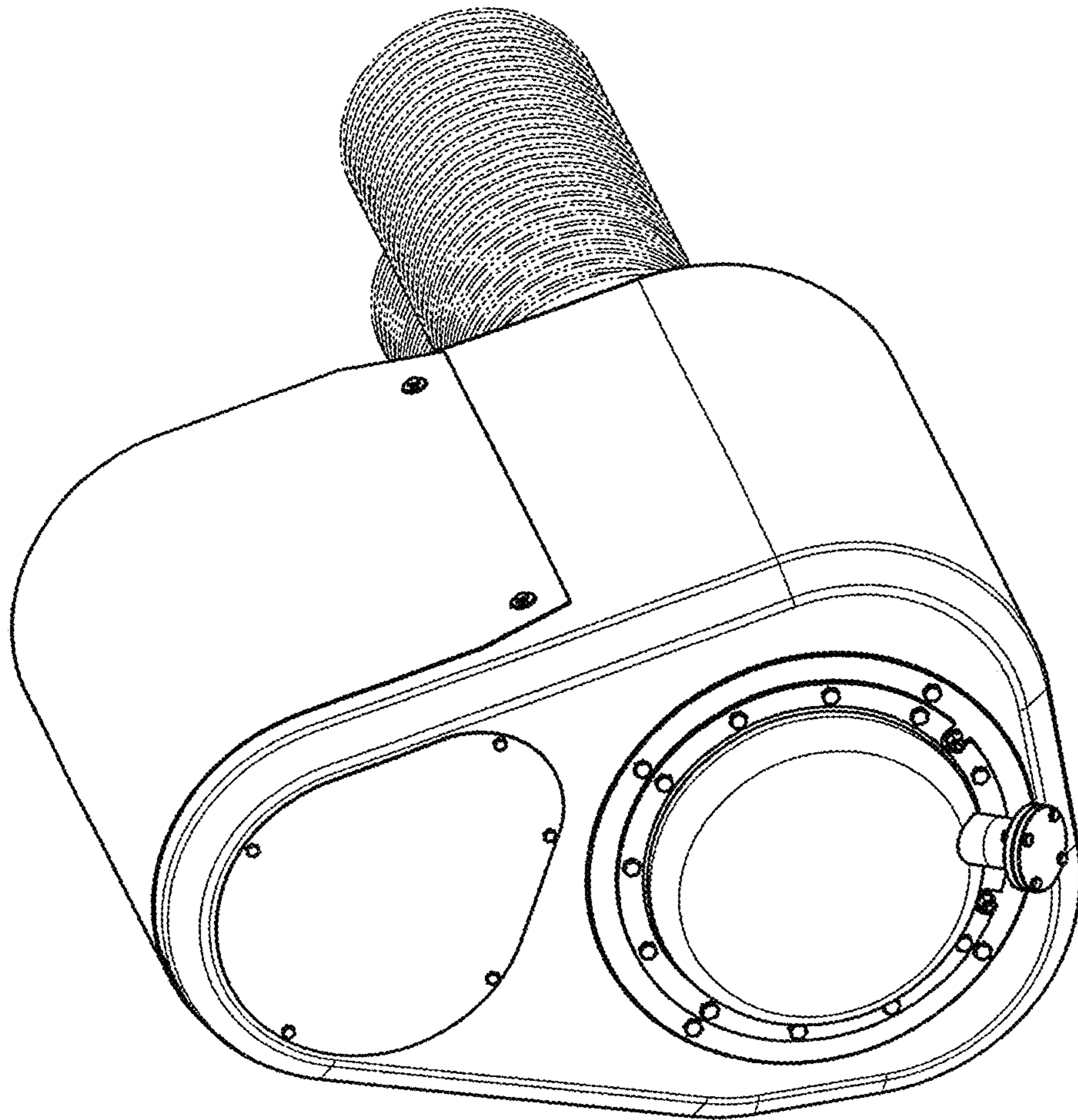


Fig. 3

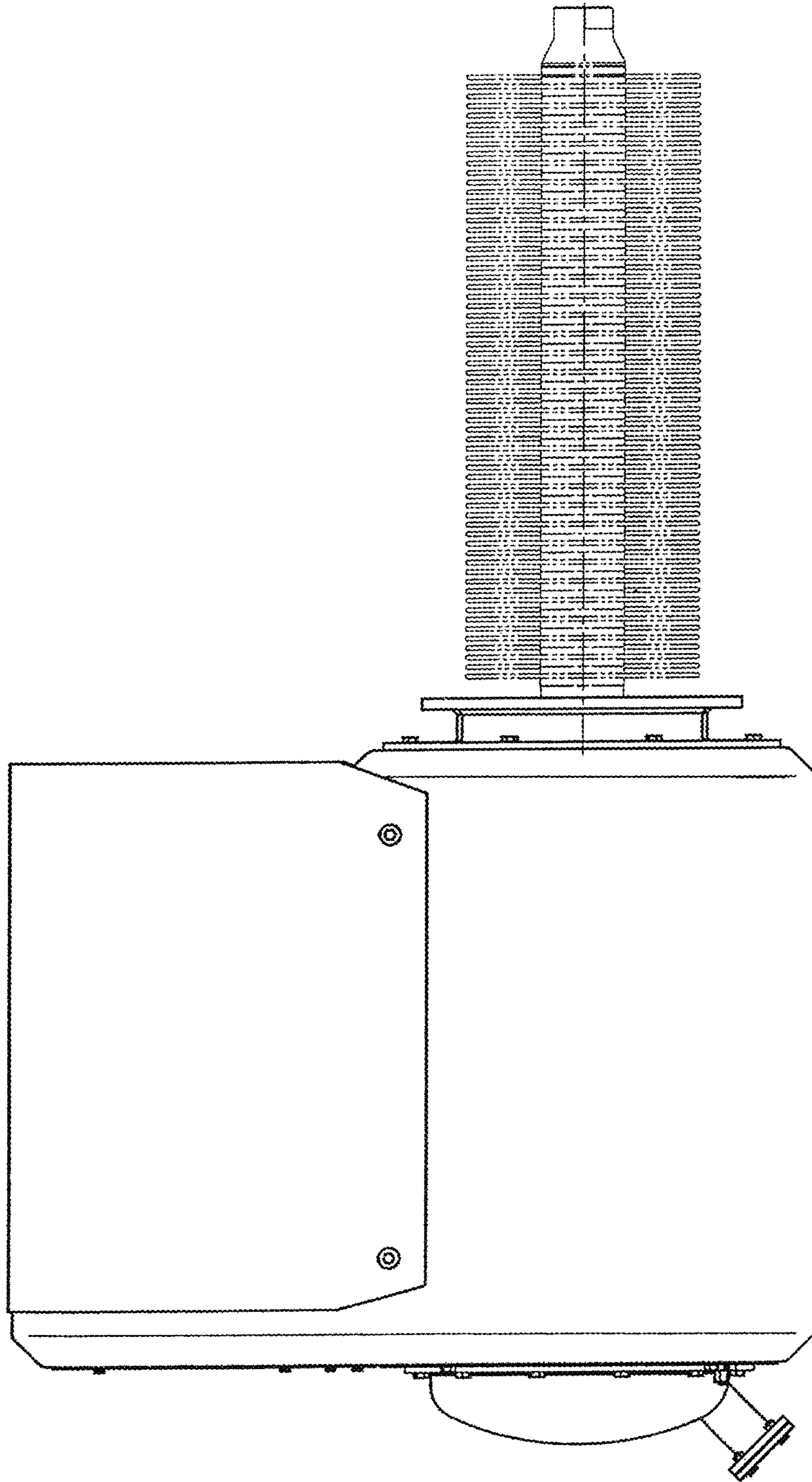


Fig. 4

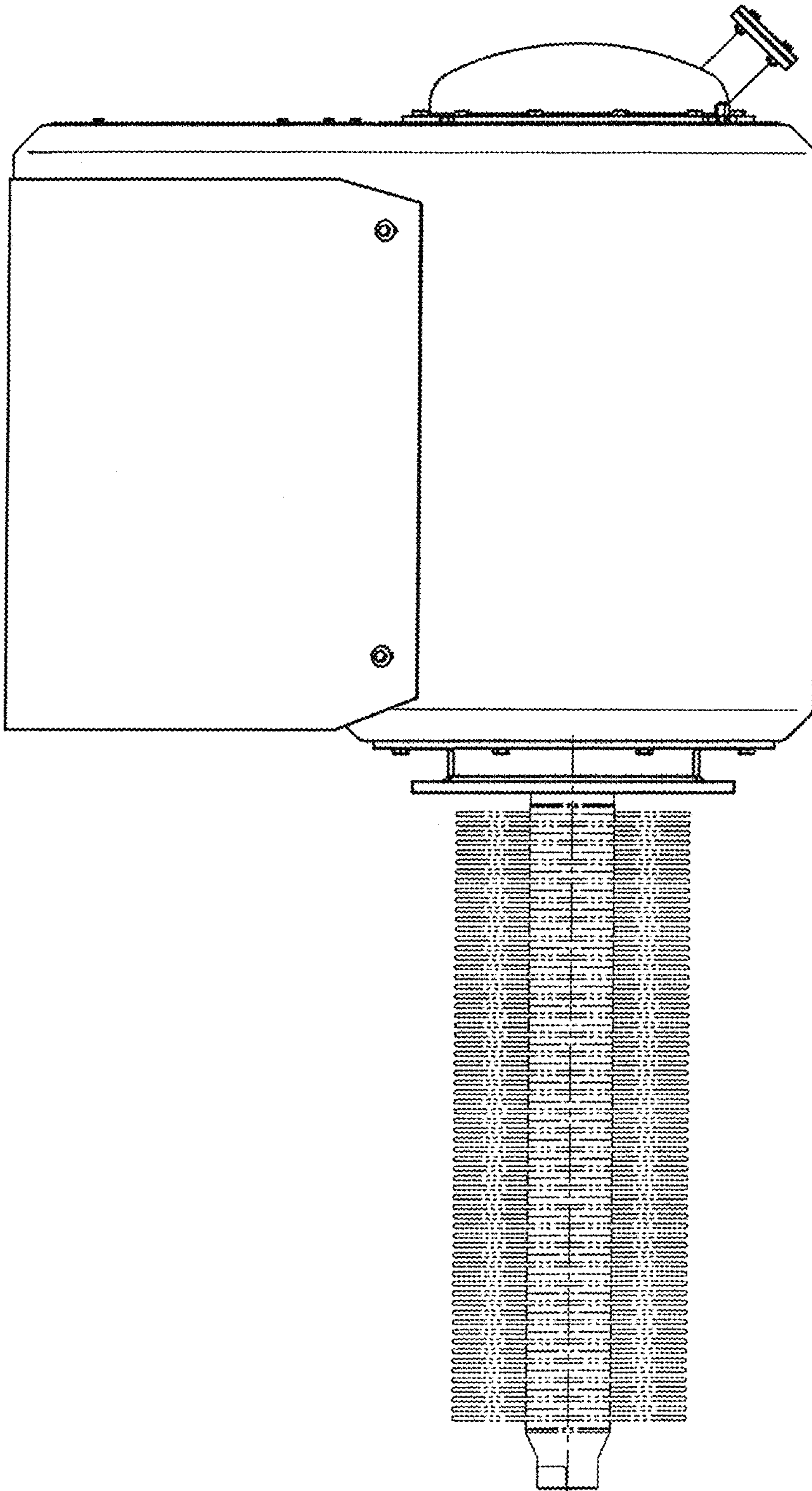


Fig. 5

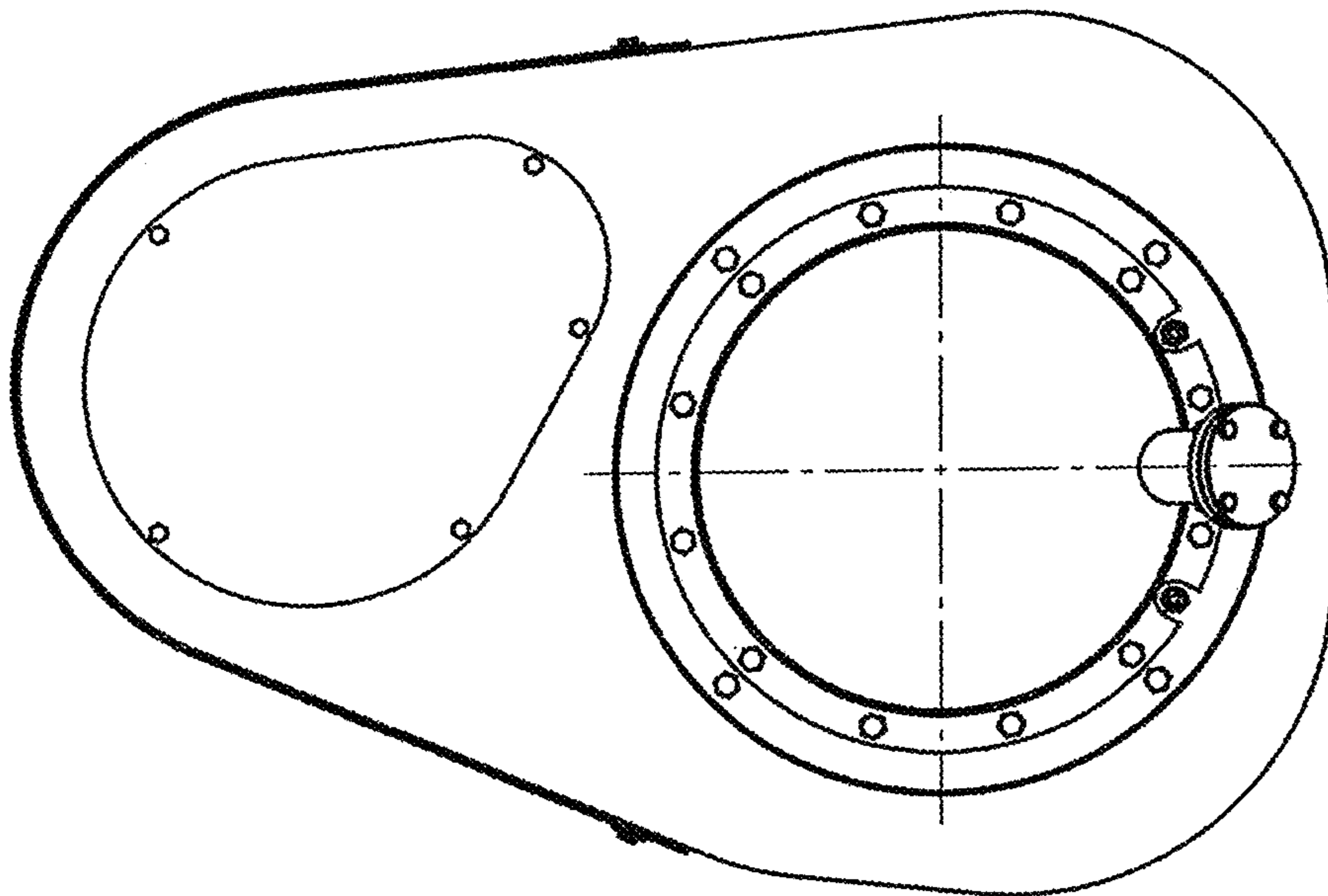


Fig. 6

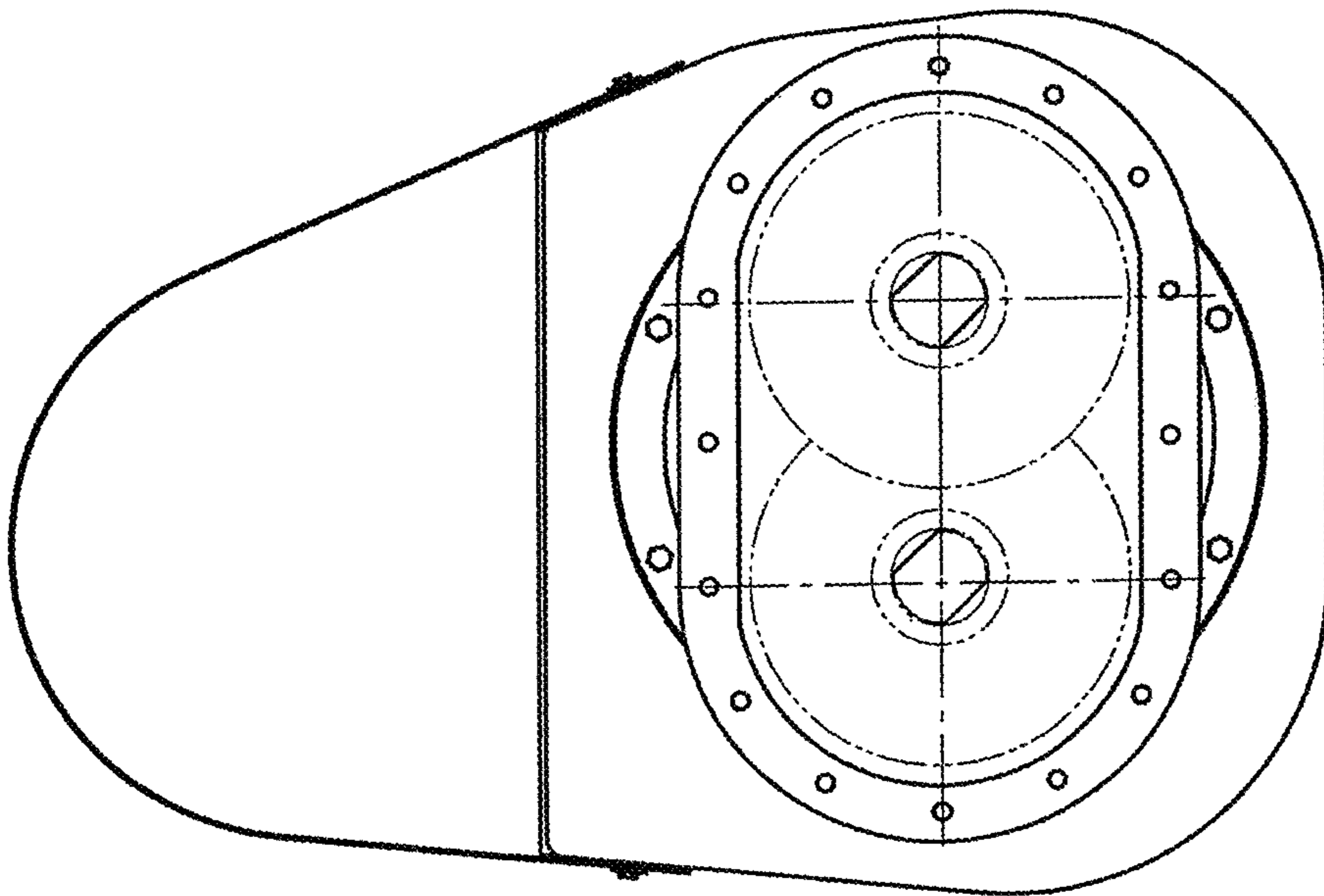


Fig. 7

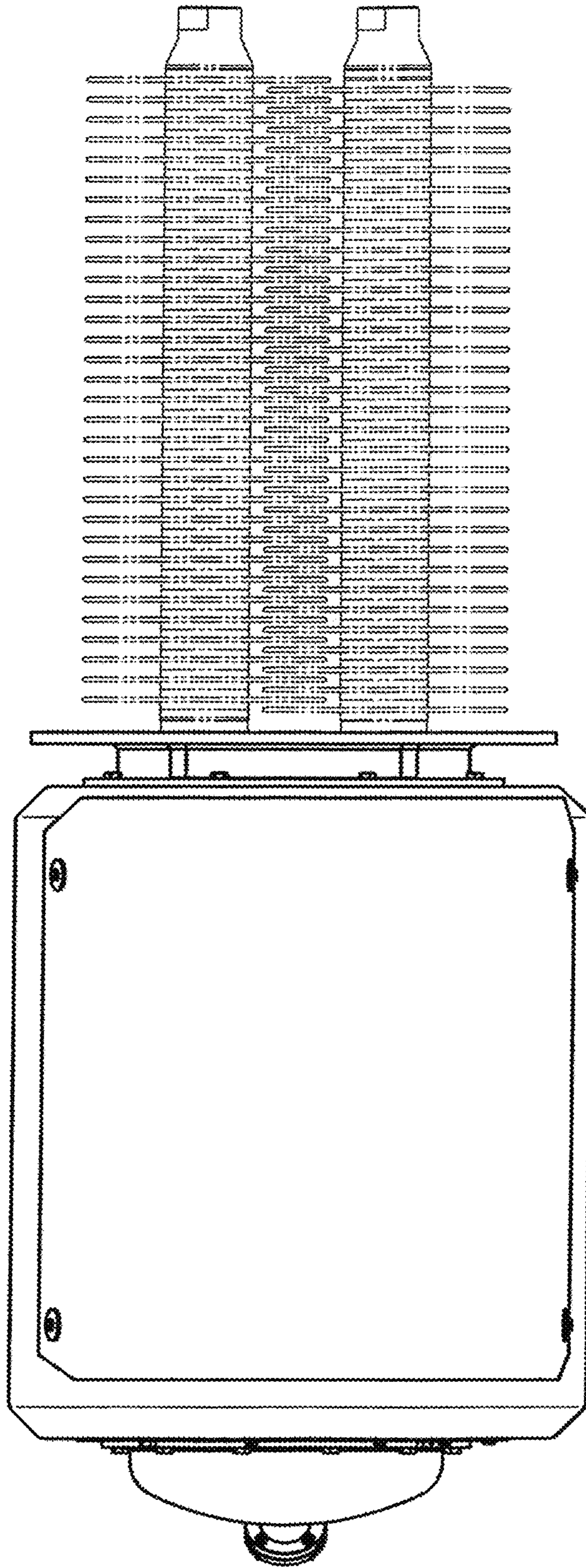


Fig. 8

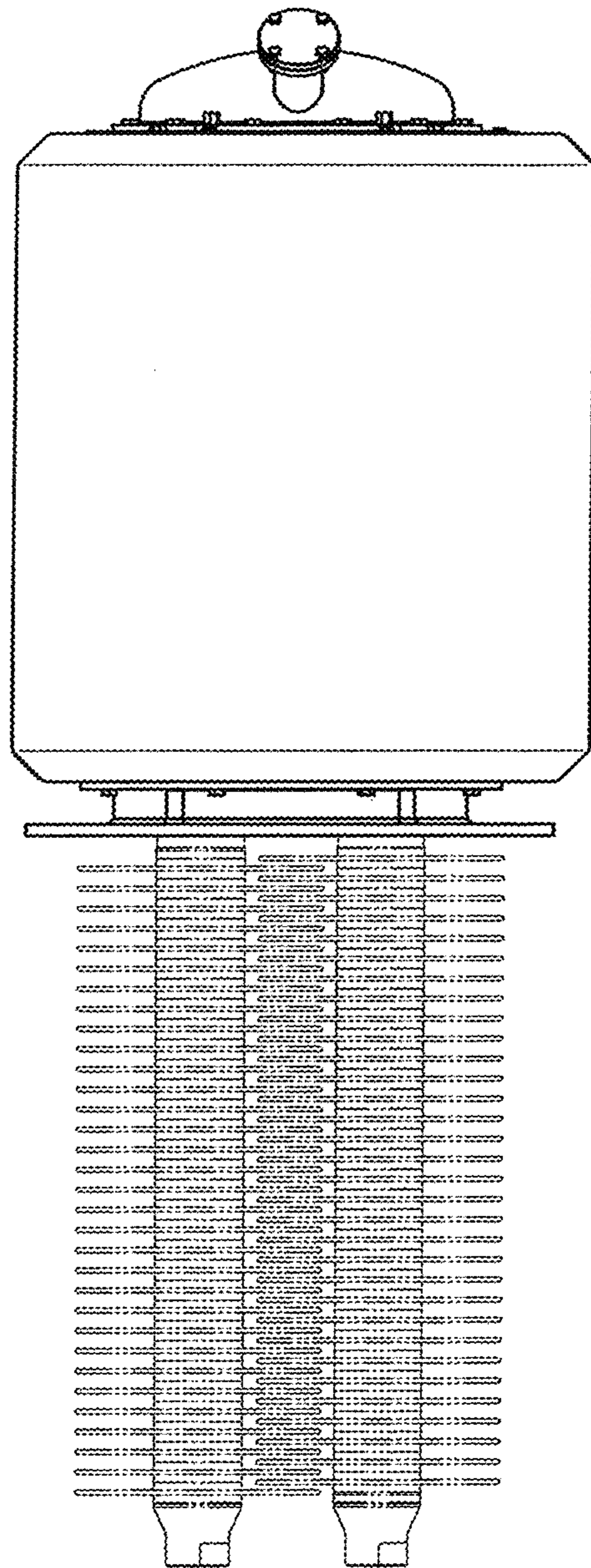


Fig. 9