



US00D800652S

(12) **United States Design Patent**
Yang et al.

(10) **Patent No.:** **US D800,652 S**
(45) **Date of Patent:** **** Oct. 24, 2017**

(54) **POWER CHARGING STATION**

- (71) Applicant: **The Wiremold Company**, West Hartford, CT (US)
- (72) Inventors: **Taesuk Yang**, Wallingford, CT (US); **Phillip D. Prestigomo**, Simsbury, CT (US)
- (73) Assignee: **The Wiremold Company**, West Hartford, CT (US)

(**) Term: **15 Years**

(21) Appl. No.: **29/541,628**

(22) Filed: **Oct. 6, 2015**

(51) **LOC (10) Cl.** **13-02**

(52) **U.S. Cl.**
USPC **D13/107**

(58) **Field of Classification Search**
USPC D13/102-110, 118-119, 184; D14/251, D14/253, 432, 434; D27/67, 93
CPC Y02E 60/12; Y02T 90/14; Y02T 90/122; Y02T 90/128; Y02T 90/163; H02J 7/025; H02J 7/0042; H02J 7/0044; H02J 7/0045; H02J 7/0003; H01F 38/14; H01R 13/6675; H01M 2/1022; H01M 2/1055; B60L 11/182

See application file for complete search history.

(56) **References Cited**

U.S. PATENT DOCUMENTS

- 5,461,299 A * 10/1995 Bruni B60L 11/182 320/108
- D383,623 S * 9/1997 Goodwin D30/101
- D388,900 S * 1/1998 Metcheur, III D26/68

(Continued)

OTHER PUBLICATIONS

Wiremold Outdoor Power for Mobile Device Charging by Legrand Wiremold, youtube.com, published on Apr. 27, 2016, retrieved on

Apr. 4, 2017, retrieved from the Internet: URL<https://www.youtube.com/watch?v=5kq_5UfAy7w.*

Primary Examiner — Rosemary K Tarcza
Assistant Examiner — Alison Ofstun
(74) *Attorney, Agent, or Firm* — McCormick, Paulding & Huber LLP

(57) **CLAIM**

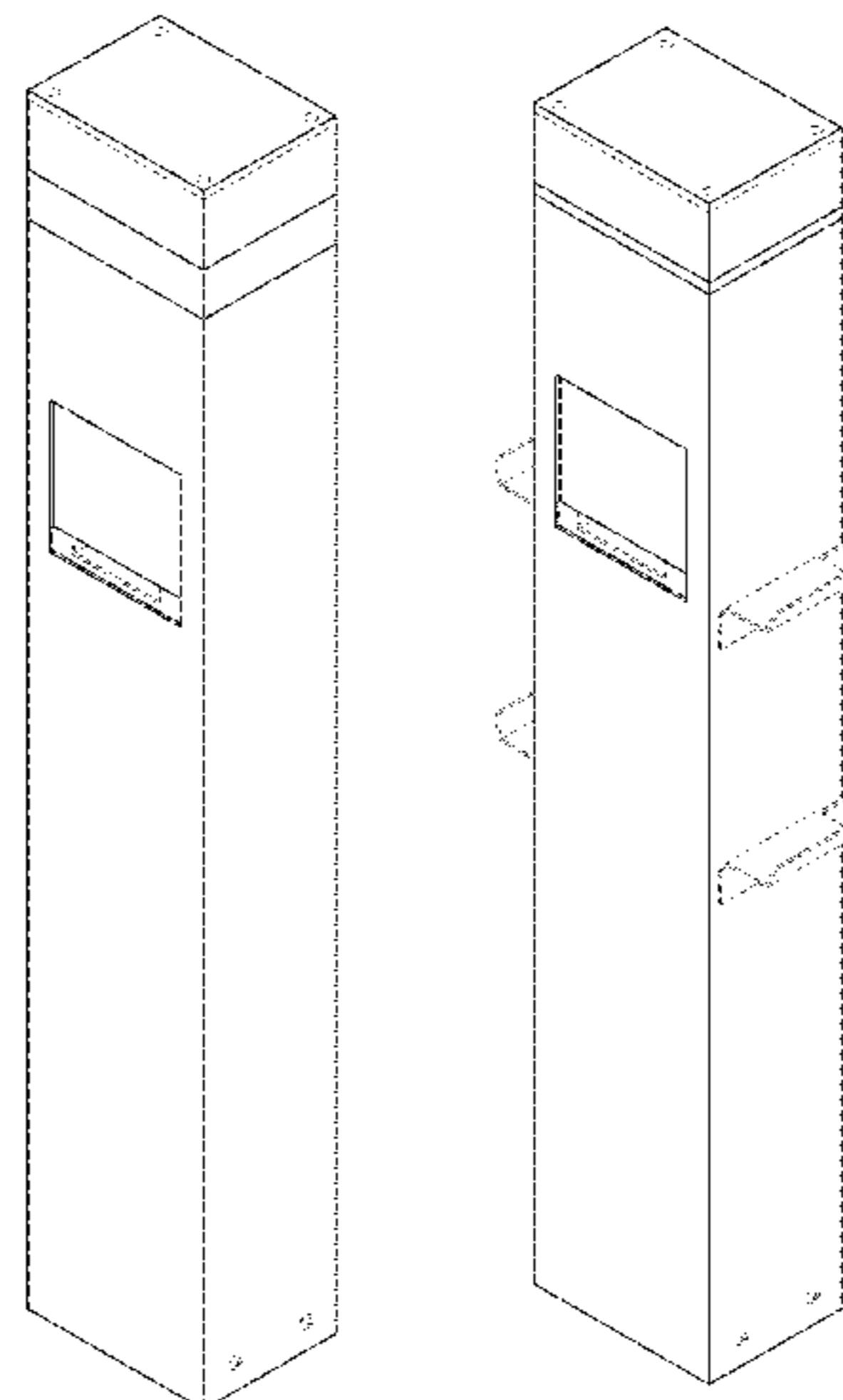
The ornamental design for a power charging station, as shown and described.

DESCRIPTION

FIG. 1 is a front, top, right-hand side perspective view of a power charging station, with a door in a closed position, comprising a new, original and ornamental design;
 FIG. 2 is a front, top, right-hand side perspective view of the power charging station of FIG. 1, with the door in an open position;
 FIG. 3 is a front view of FIG. 1;
 FIG. 4 is a rear view of FIG. 1;
 FIG. 5 is a left-hand side view thereof, right-hand side view being a mirror image thereof;
 FIG. 6 is a top view thereof;
 FIG. 7 is a bottom view thereof;
 FIG. 8 is a front, top, right-hand side perspective view of a power charging station, with a door in a closed position, in accordance with a second embodiment;
 FIG. 9 is a front, top, right-hand side perspective view of the power charging station of FIG. 8, with the door in an open position;
 FIG. 10 is a front view of FIG. 8;
 FIG. 11 is a rear view of FIG. 8;
 FIG. 12 is a right-hand side view thereof, left-hand side view being a mirror image thereof;
 FIG. 13 is a top view thereof; and,
 FIG. 14 is a bottom view thereof.

The broken lines are included to show portions of the power charging station that form no part of the claimed design.

1 Claim, 6 Drawing Sheets



(56)

References Cited

U.S. PATENT DOCUMENTS

D531,343 S *	10/2006	Chen	D26/104
D589,194 S *	3/2009	Sabernig	D26/104
D614,608 S *	4/2010	Behling	D14/223
D661,832 S *	6/2012	Williams	D26/68
D676,376 S *	2/2013	Yamada	D13/107
D731,211 S *	6/2015	Denby	D6/672
D753,332 S *	4/2016	De Bevilacqua	D26/106
2013/0026987 A1 *	1/2013	Gutierrez	B60L 11/1825 320/109
2013/0187599 A1 *	7/2013	Ranga	B60L 11/1825 320/109
2013/0207606 A1 *	8/2013	Ranga	B60L 11/1825 320/109

* cited by examiner

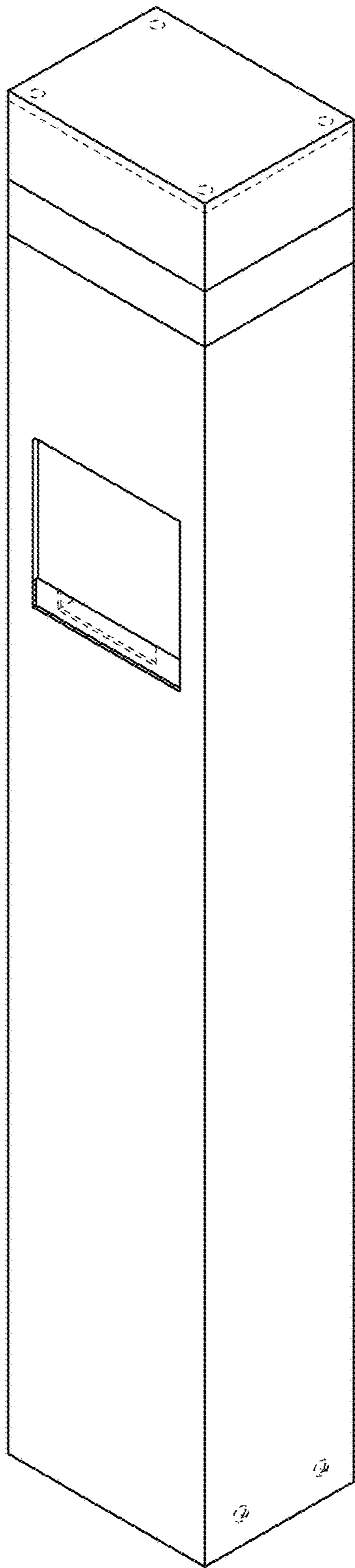


FIG. 1

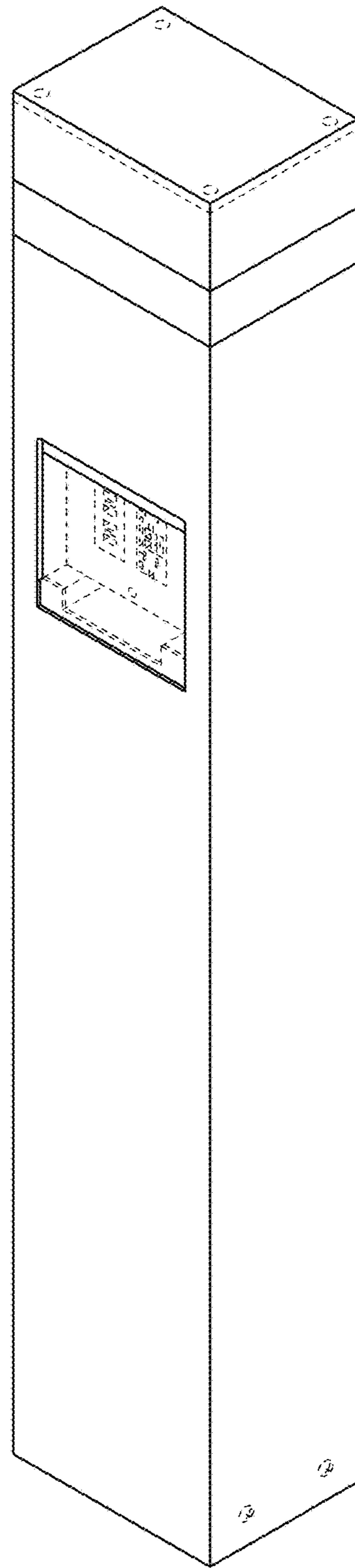


FIG. 2

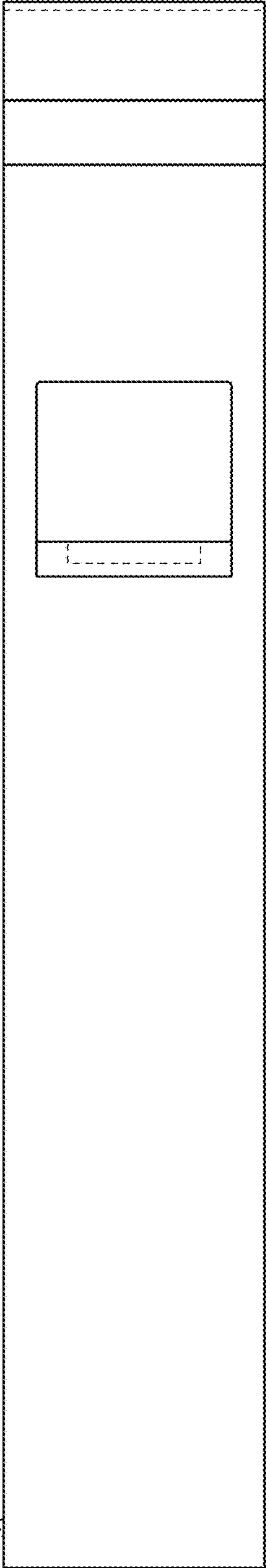


FIG. 3

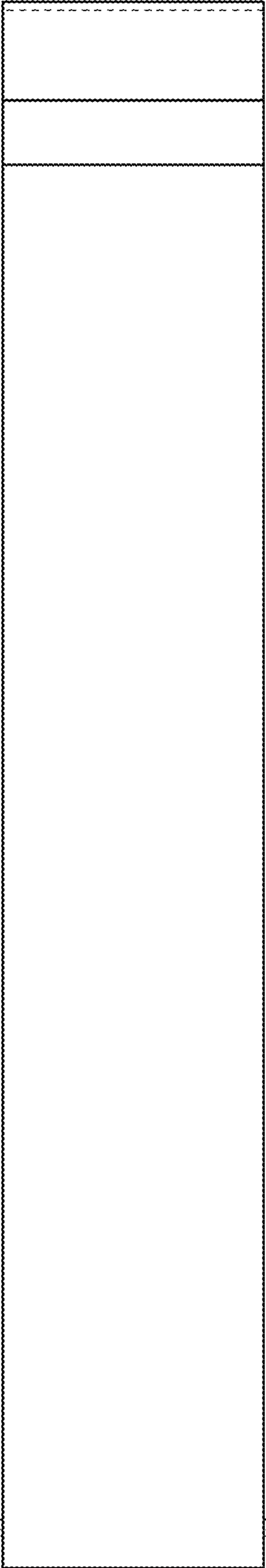


FIG. 4

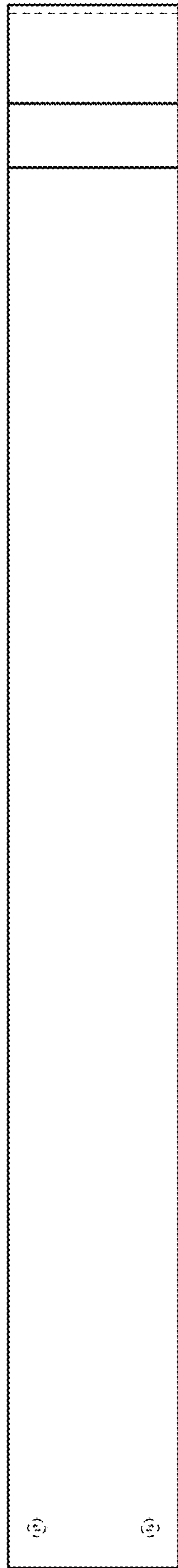


FIG. 5



FIG. 6

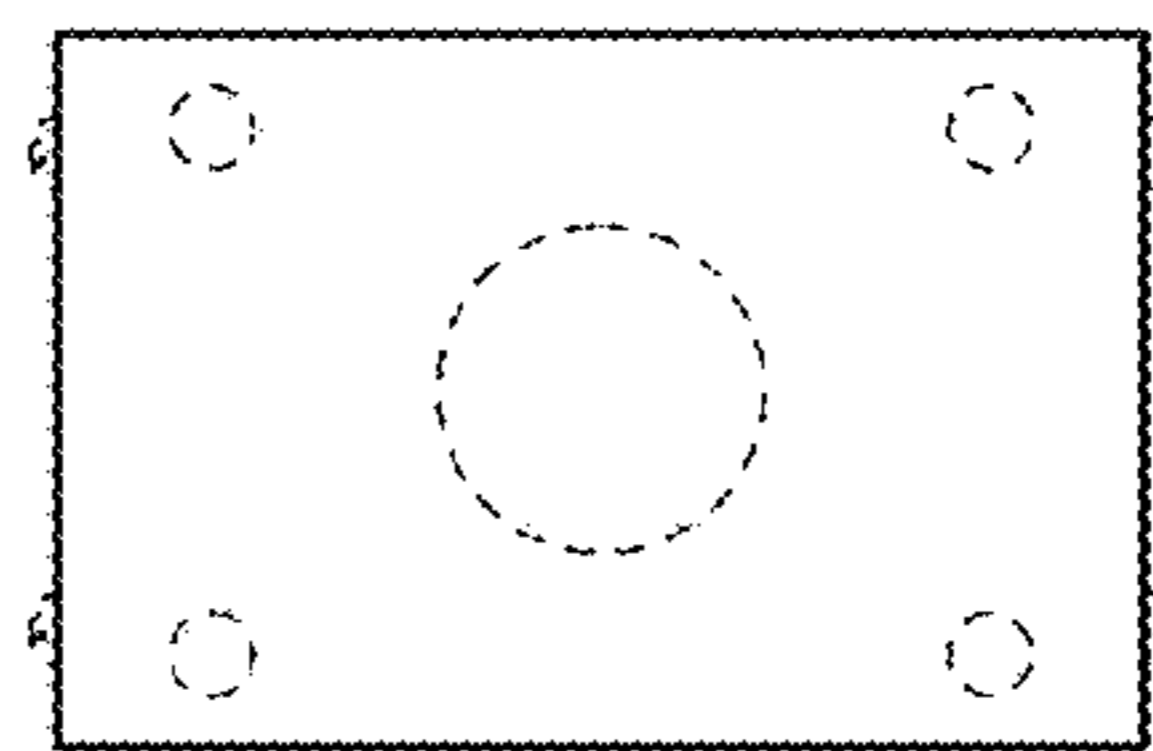


FIG. 7

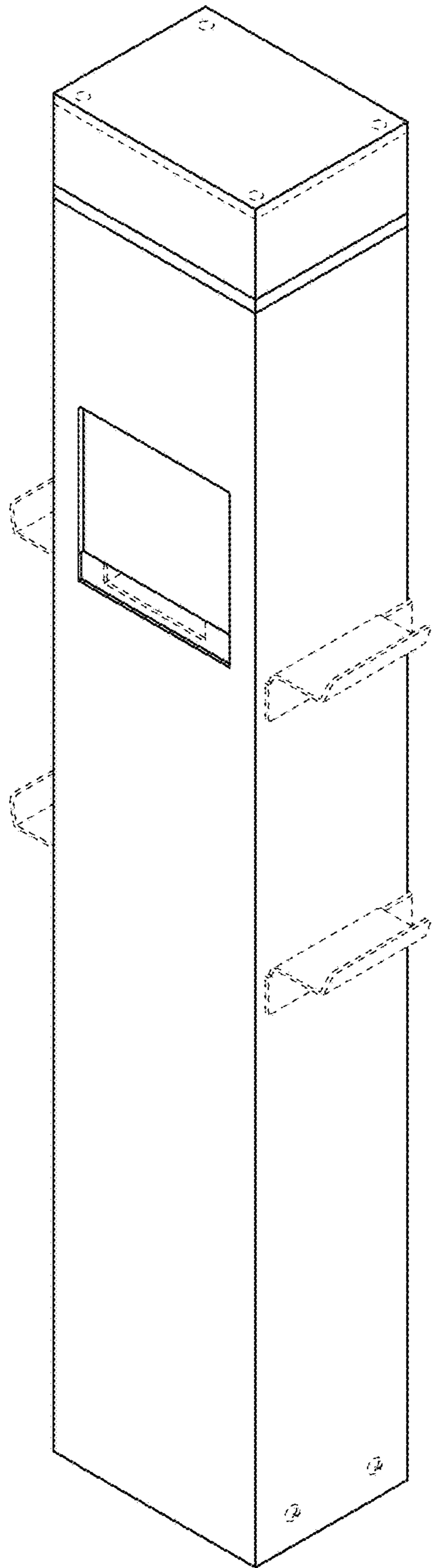


FIG. 8

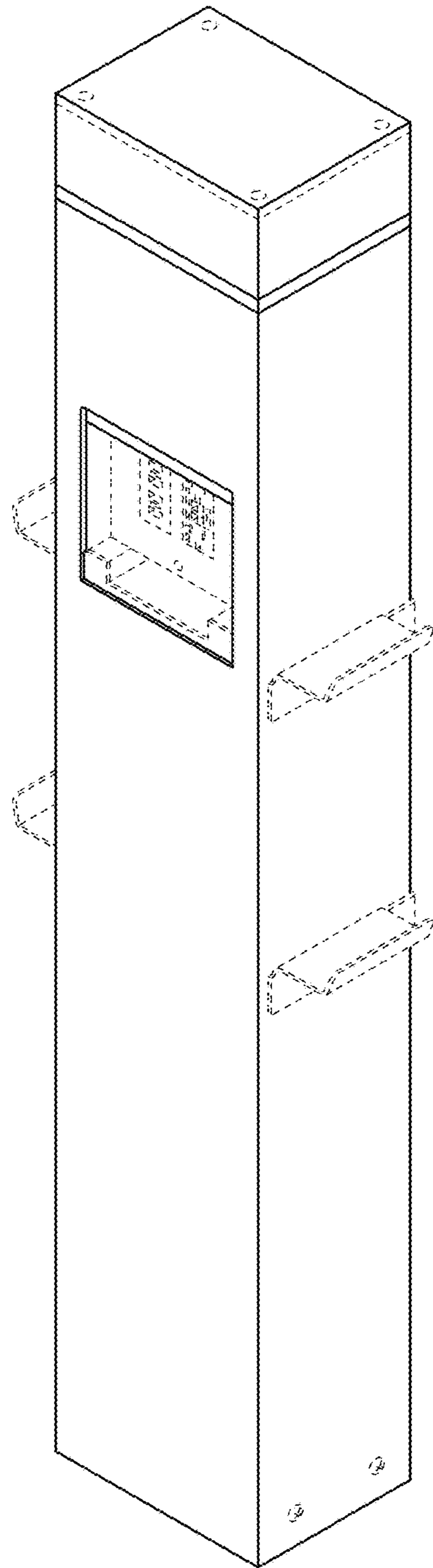


FIG. 9

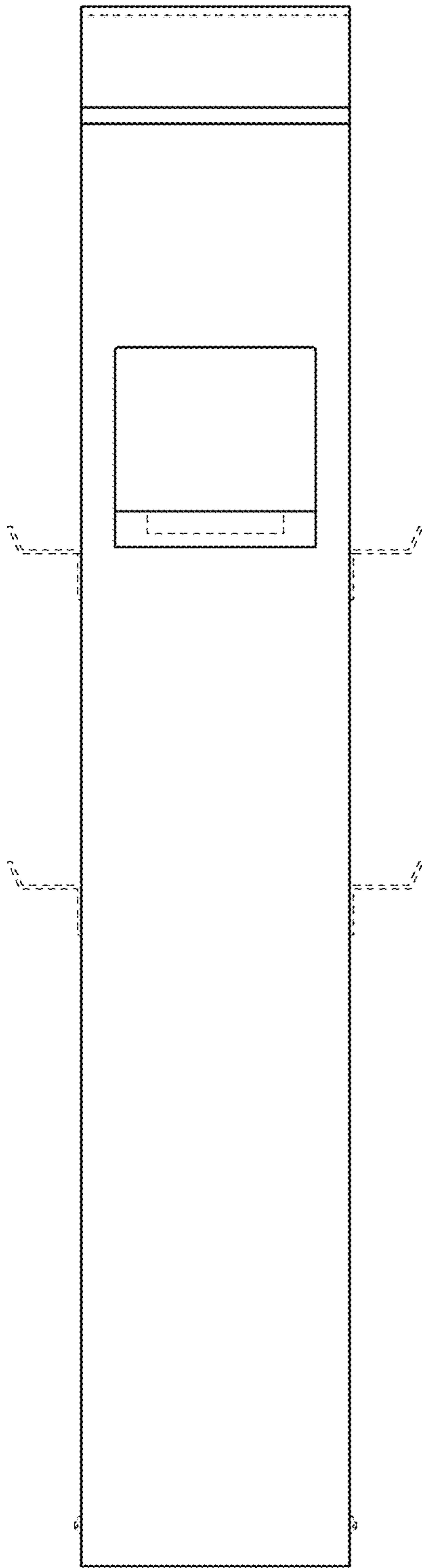


FIG. 10

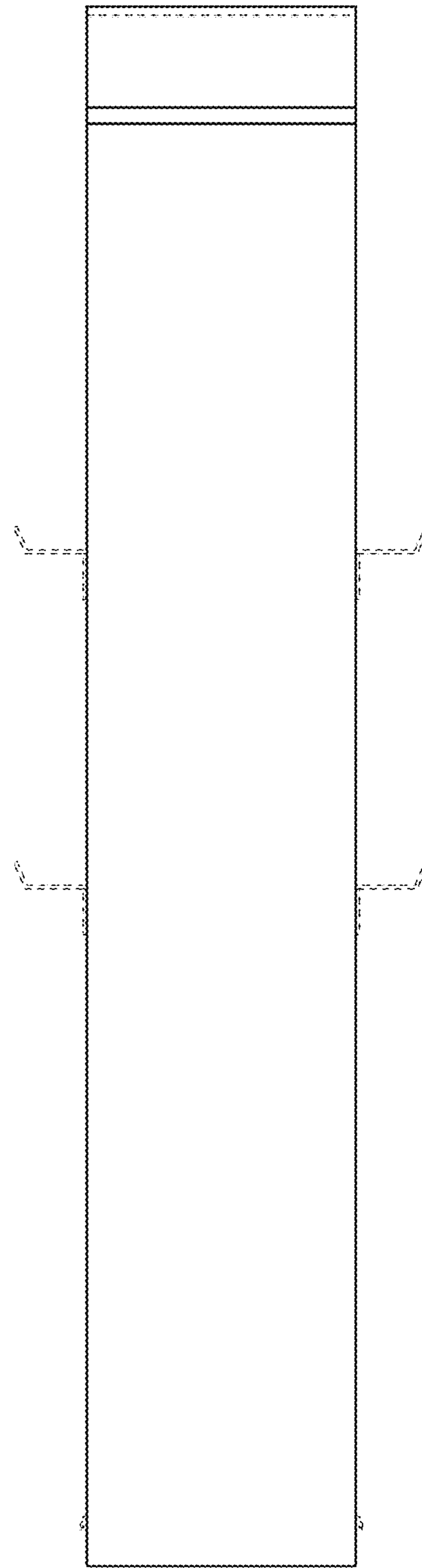


FIG. 11

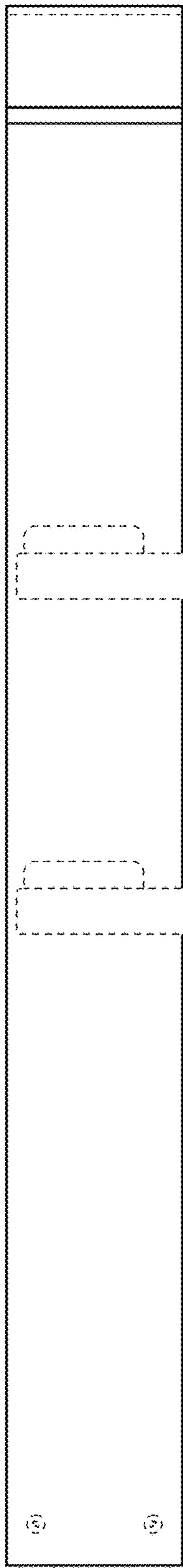


FIG. 12



FIG. 13

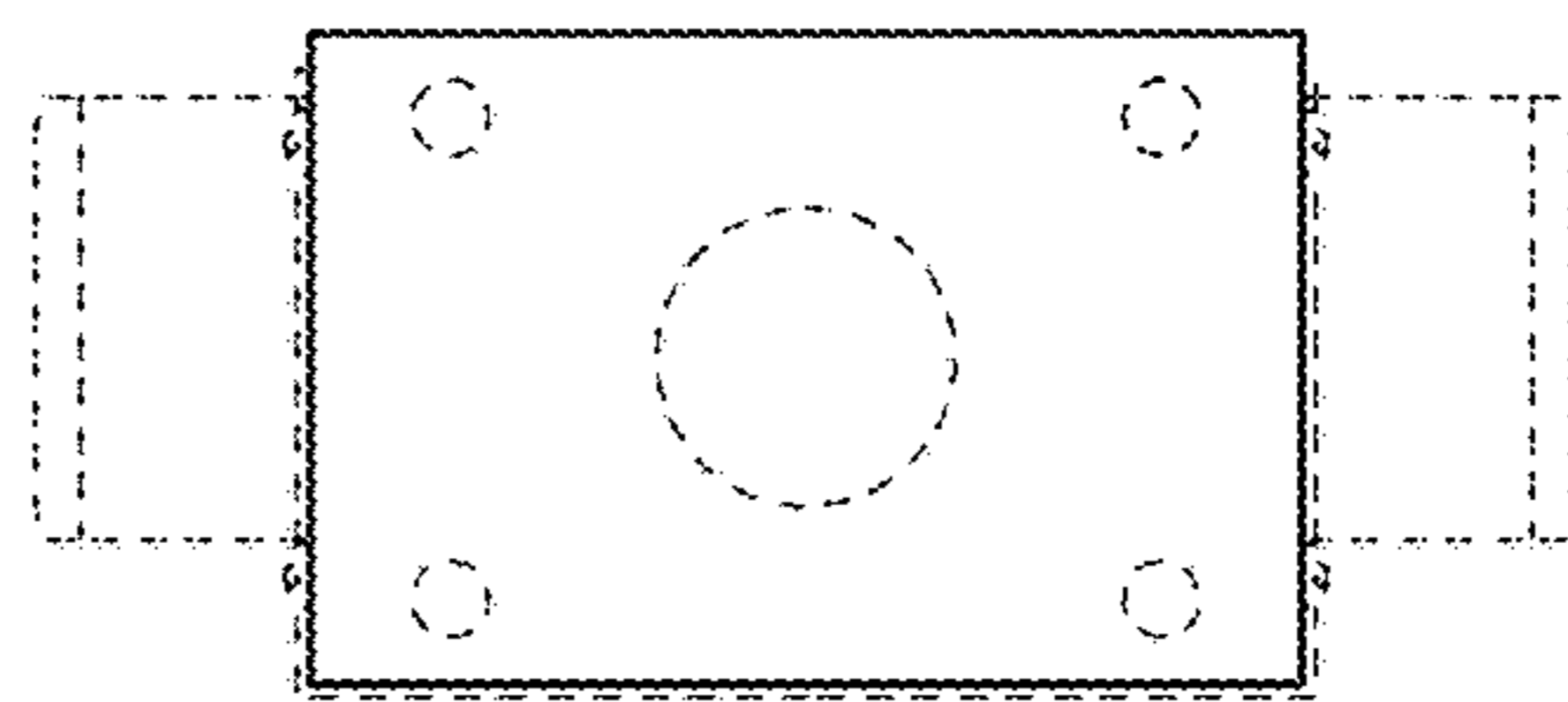


FIG. 14