



US00D800650S

(12) **United States Design Patent**  
**Itoh et al.**

(10) **Patent No.:** **US D800,650 S**  
(45) **Date of Patent:** **\*\* Oct. 24, 2017**

(54) **BATTERY PACK**

(71) Applicant: **Hitachi Koki Co., Ltd.**, Minato-Ku,  
Tokyo (JP)

(72) Inventors: **Takafumi Itoh**, Hitachinaka (JP); **Rui Akiba**, Hitachinaka (JP); **Yuji Kishima**, Hitachinaka (JP)

(73) Assignee: **Hitachi Koki Co., Ltd.**, Minato-Ku,  
Tokyo (JP)

(\*\*) Term: **15 Years**

(21) Appl. No.: **29/558,141**

(22) Filed: **Mar. 15, 2016**

(30) **Foreign Application Priority Data**

Sep. 15, 2015 (JP) ..... 2015-020504

(51) **LOC (10) Cl.** ..... **13-02**

(52) **U.S. Cl.**  
USPC ..... **D13/103**

(58) **Field of Classification Search**  
USPC ..... D13/102-106, 110, 118-119, 184  
CPC ..... Y02E 60/12; Y02E 60/122; Y02E 60/124;  
Y02E 60/50; H01M 2/02; H01M 2/022;  
H01M 2/0202; H01M 2/0207; H01M  
2/0212; H01M 2/1061; H01M 2/1022;  
H01M 2/1055; H01M 2/1066; H01M  
2/105; H01M 2/204; H01M 10/4257;  
H01M 10/0436; H01M 10/48; H01M  
10/42

See application file for complete search history.

(56) **References Cited**

**U.S. PATENT DOCUMENTS**

D535,250 S \* 1/2007 Watson ..... D13/103  
D555,086 S \* 11/2007 Zhang ..... D13/103

D562,227 S \* 2/2008 Yamada ..... D13/103  
D597,932 S \* 8/2009 Aglassinger ..... D13/103  
D622,661 S \* 8/2010 Yamada ..... D13/103  
D684,528 S \* 6/2013 Murray ..... D13/103  
D715,617 S \* 10/2014 Aoki ..... D8/68  
2008/0220324 A1\* 9/2008 Phillips ..... B25F 5/02  
429/120  
2013/0098646 A1\* 4/2013 Funabashi ..... B25F 5/00  
173/2  
2013/0280573 A1\* 10/2013 Taga ..... H01M 2/105  
429/100  
2014/0272516 A1\* 9/2014 Tennison ..... H01M 2/105  
429/120  
2017/0104243 A1\* 4/2017 Velderman ..... H01M 10/4207  
2017/0110709 A1\* 4/2017 Kolden ..... H01M 2/32

\* cited by examiner

*Primary Examiner* — Rosemary K Tarcza

*Assistant Examiner* — Nathaniel D Buckner

(74) *Attorney, Agent, or Firm* — Banner & Witcoff, Ltd.

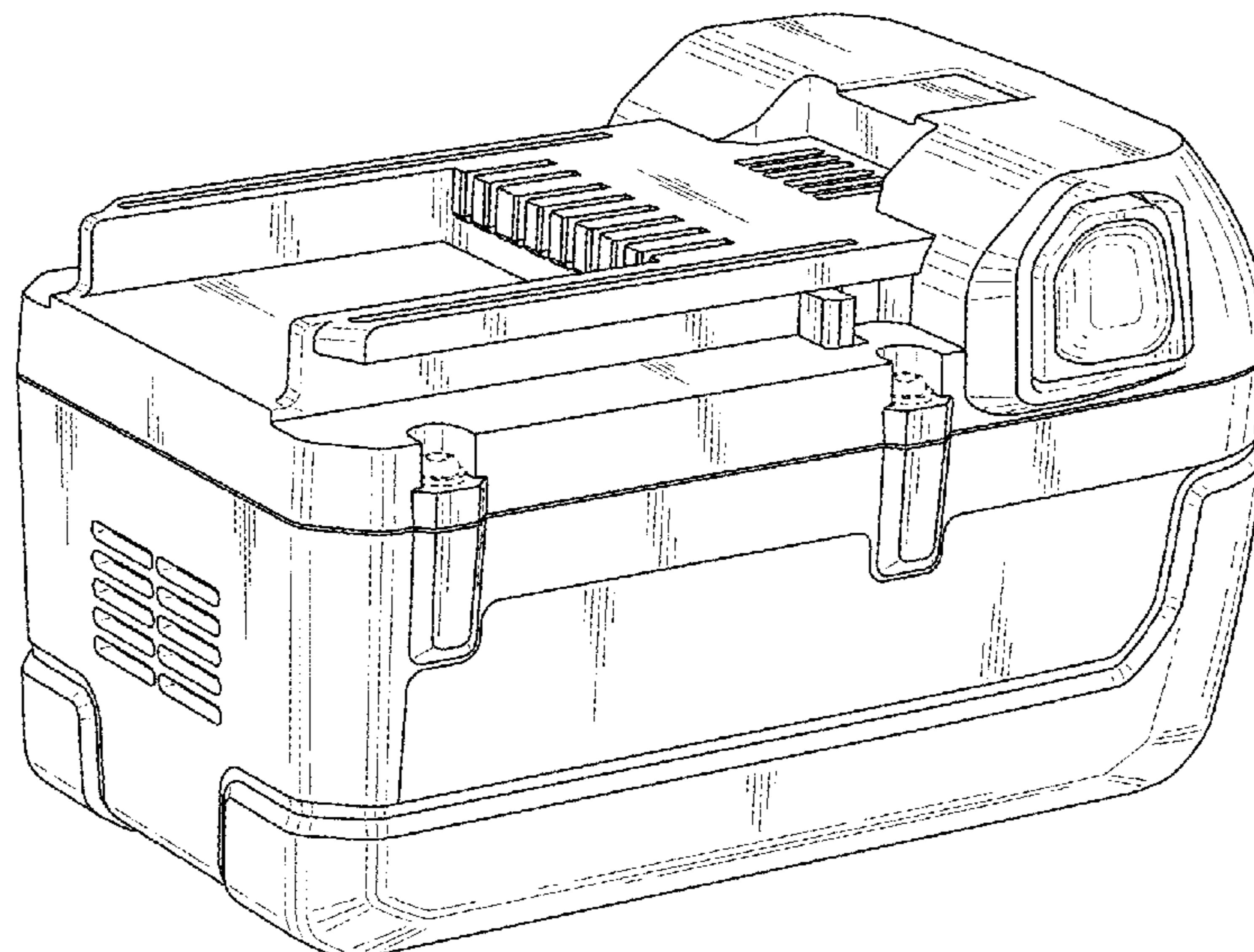
(57) **CLAIM**

The ornamental design for a battery pack, as shown and described.

**DESCRIPTION**

FIG. 1 is a front, left, upper perspective view of a battery pack showing our new design;  
FIG. 2 is a rear, right, upper perspective view thereof;  
FIG. 3 is a front view thereof;  
FIG. 4 is a rear side view thereof;  
FIG. 5 is a left side view thereof;  
FIG. 6 is a right side view thereof;  
FIG. 7 is a top plan view thereof; and,  
FIG. 8 is a bottom side view thereof.  
The broken line showing of selected elements represents unclaimed subject matter and forms no part of the claimed design.

**1 Claim, 4 Drawing Sheets**



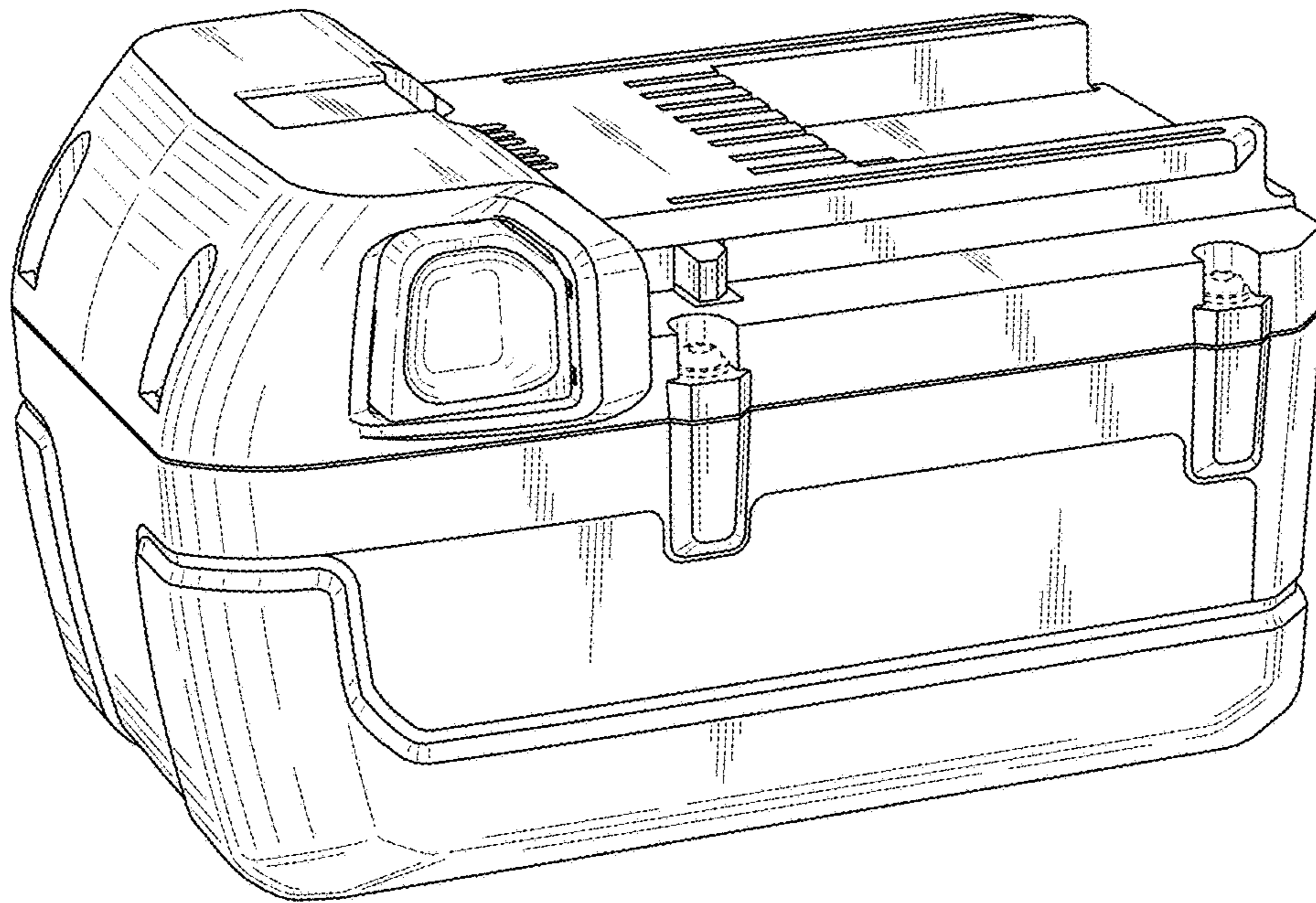


FIG. 1

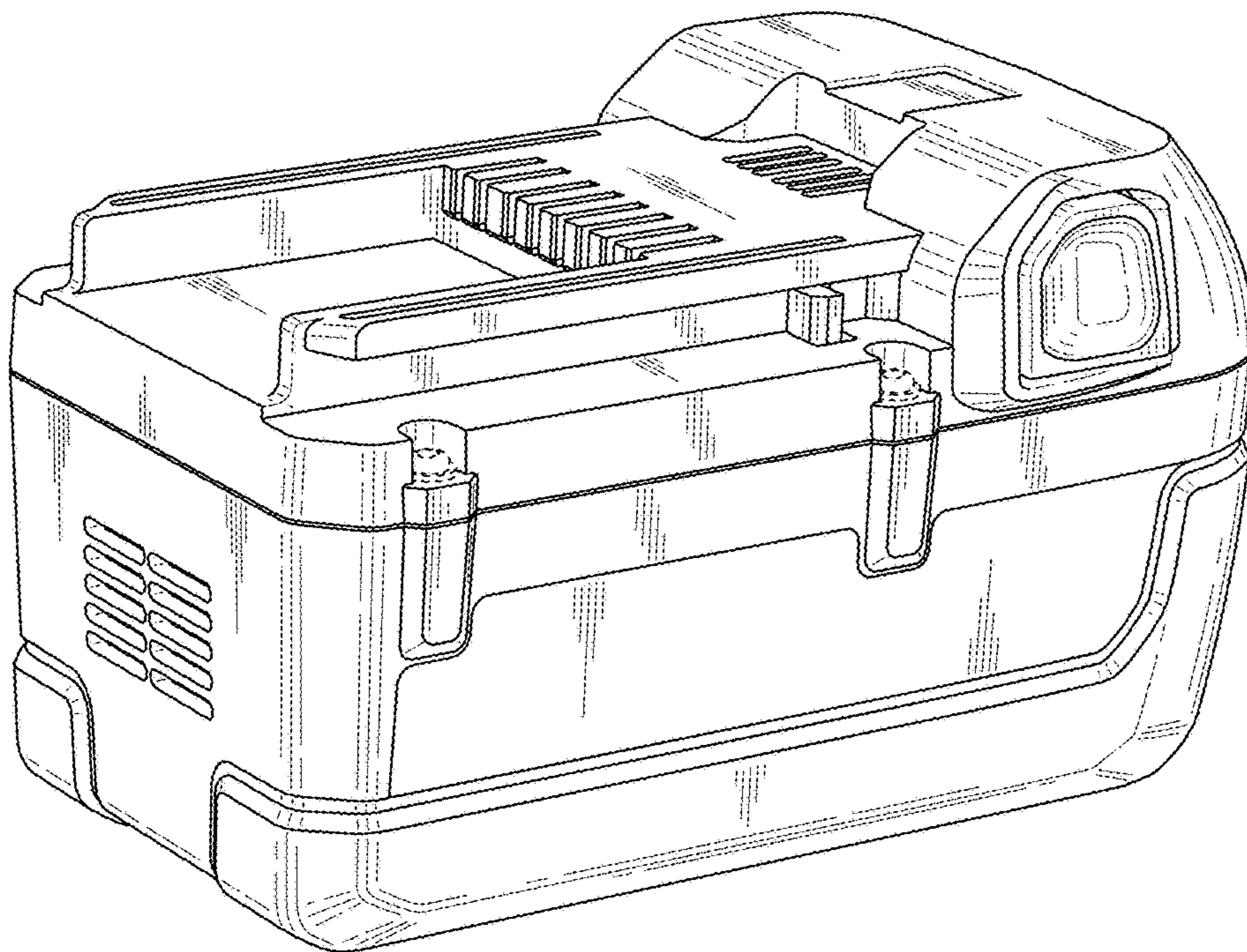


FIG. 2

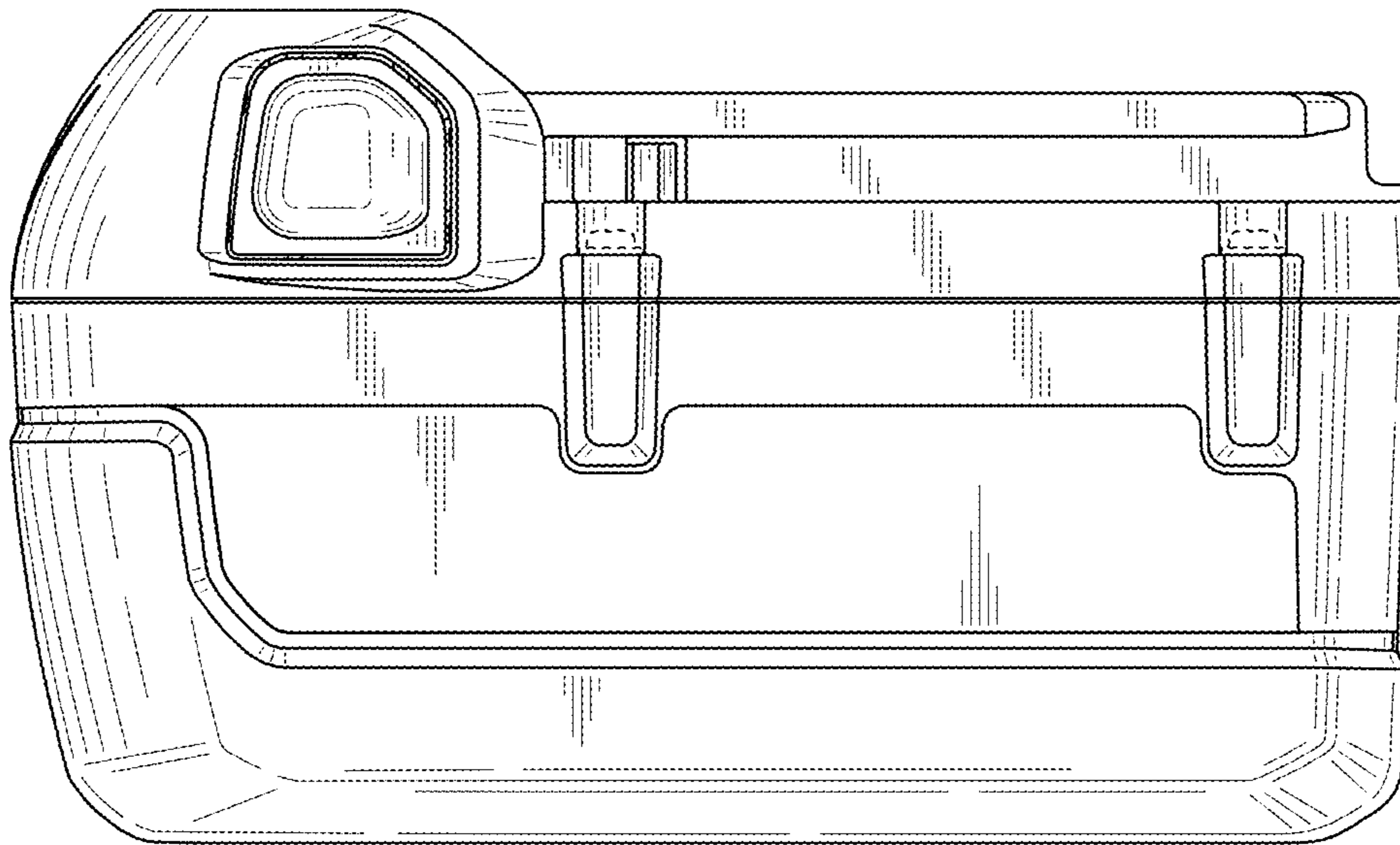


FIG. 3

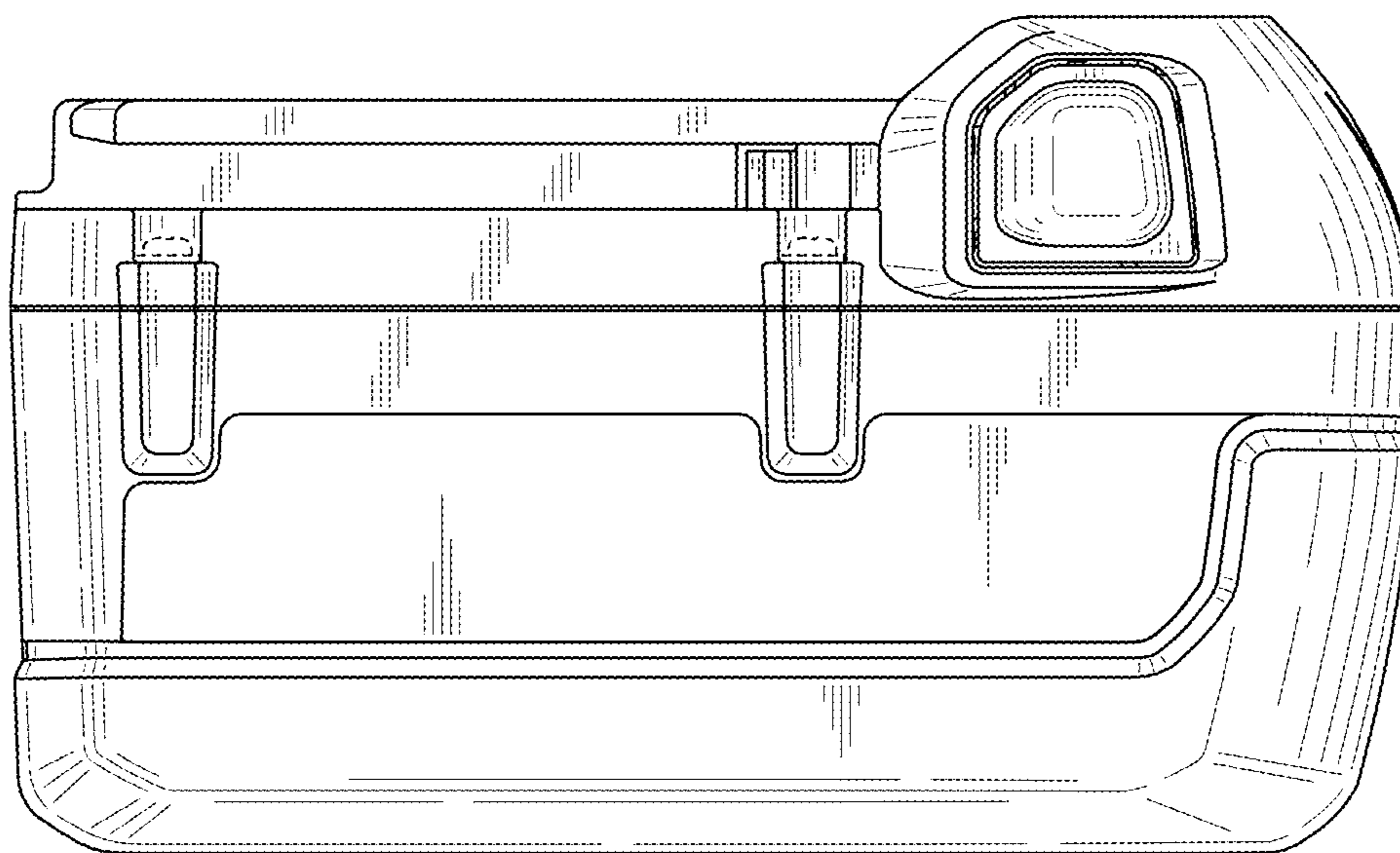
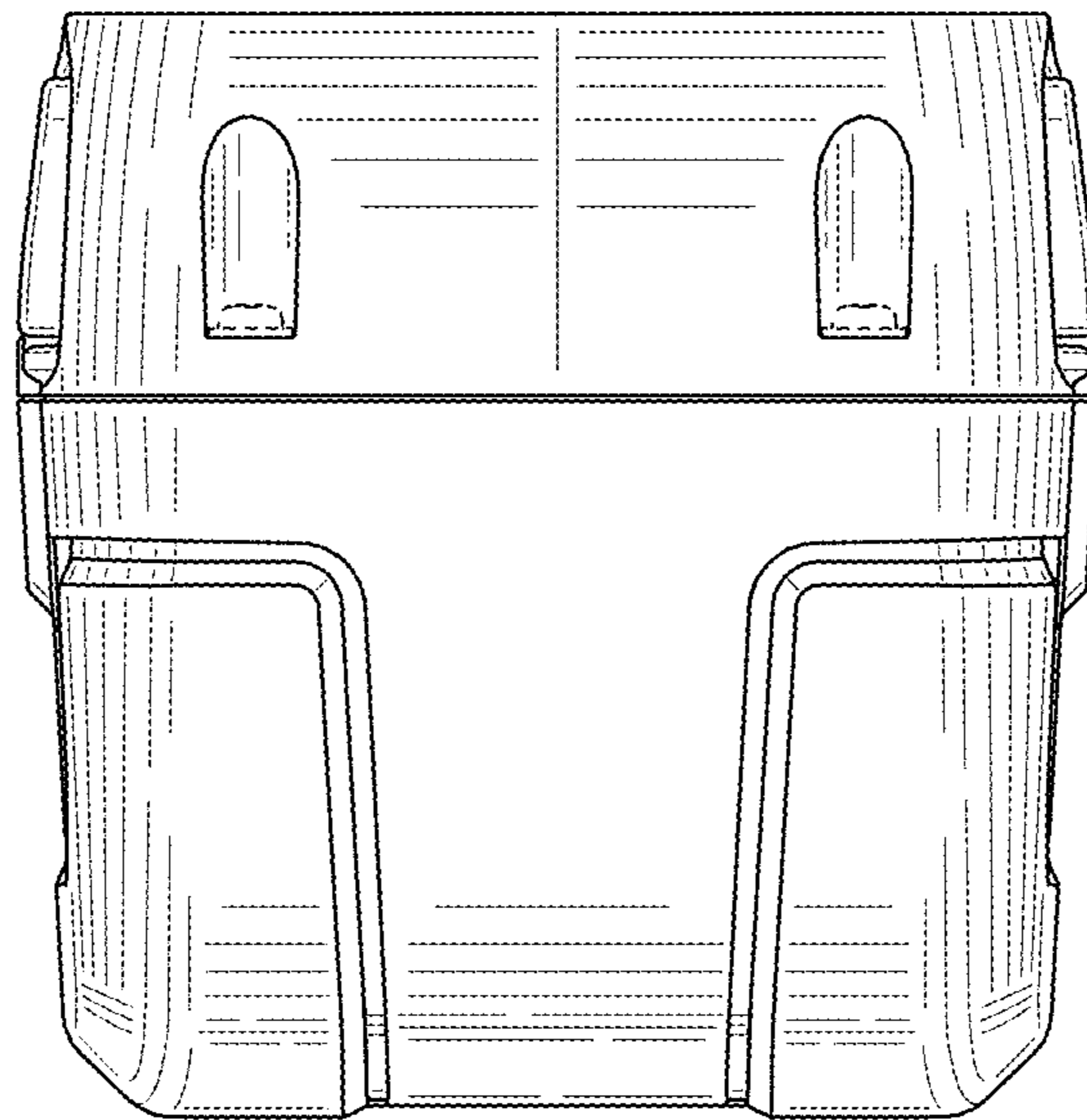
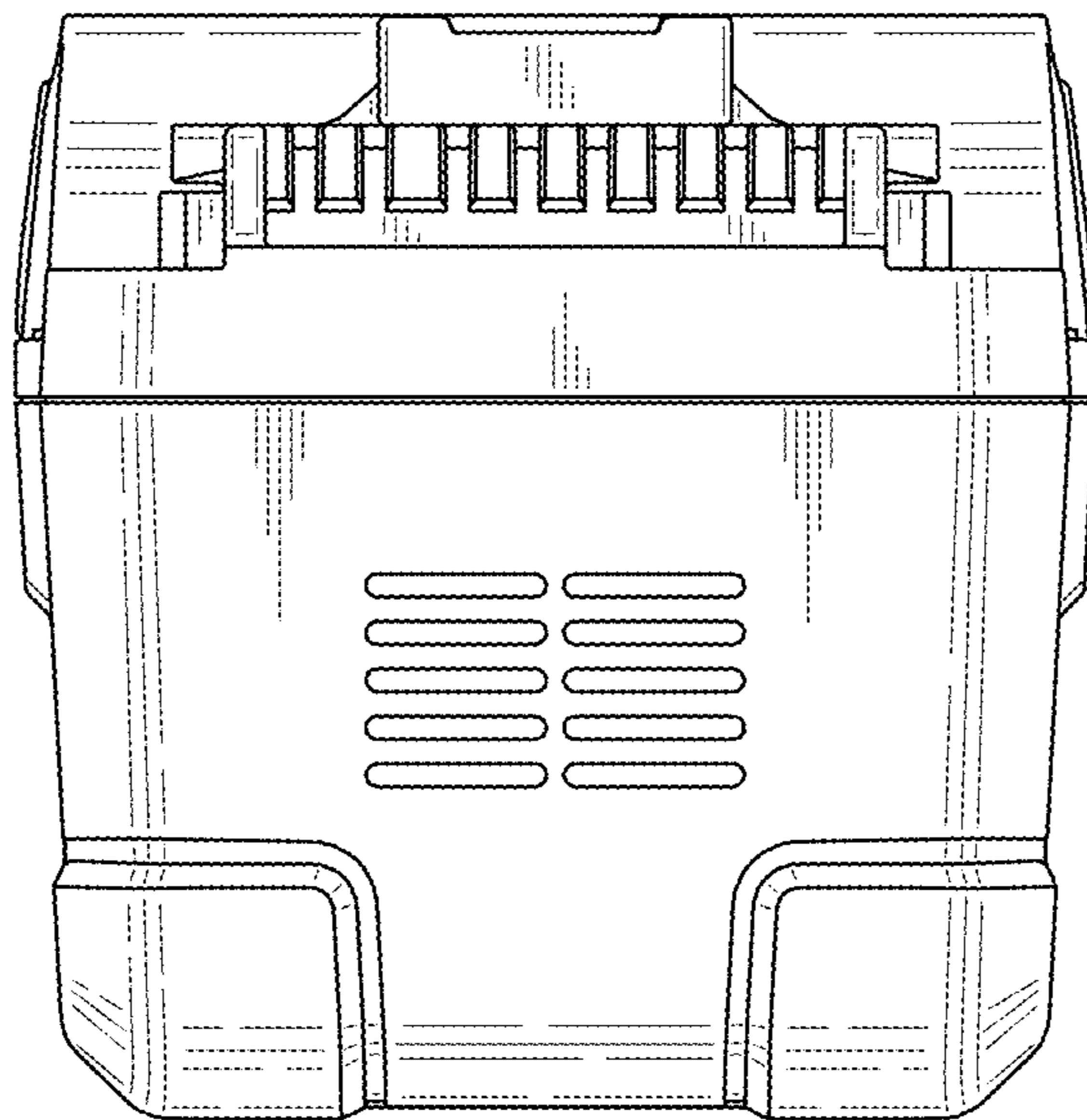


FIG. 4



*FIG. 5*



*FIG. 6*

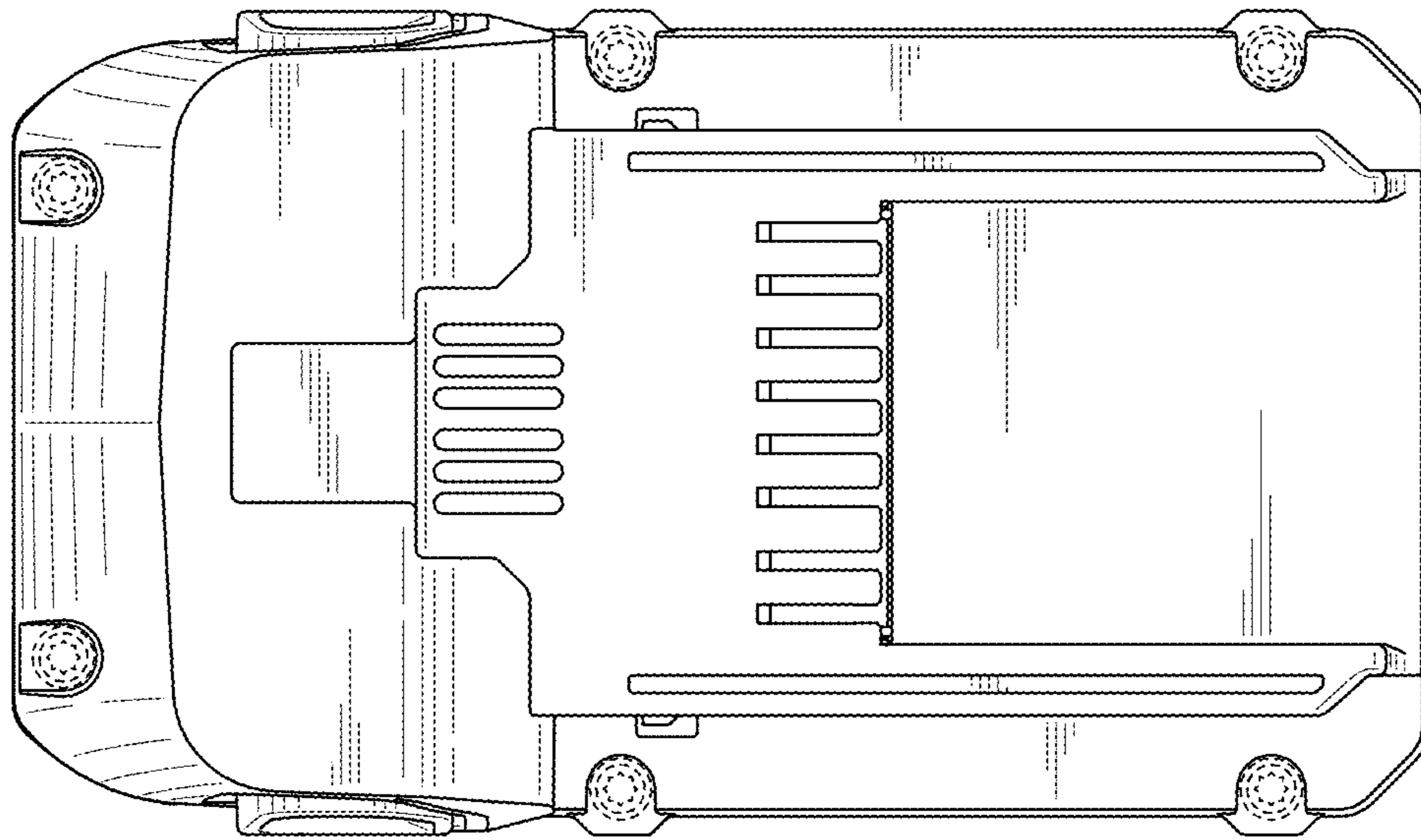


FIG. 7

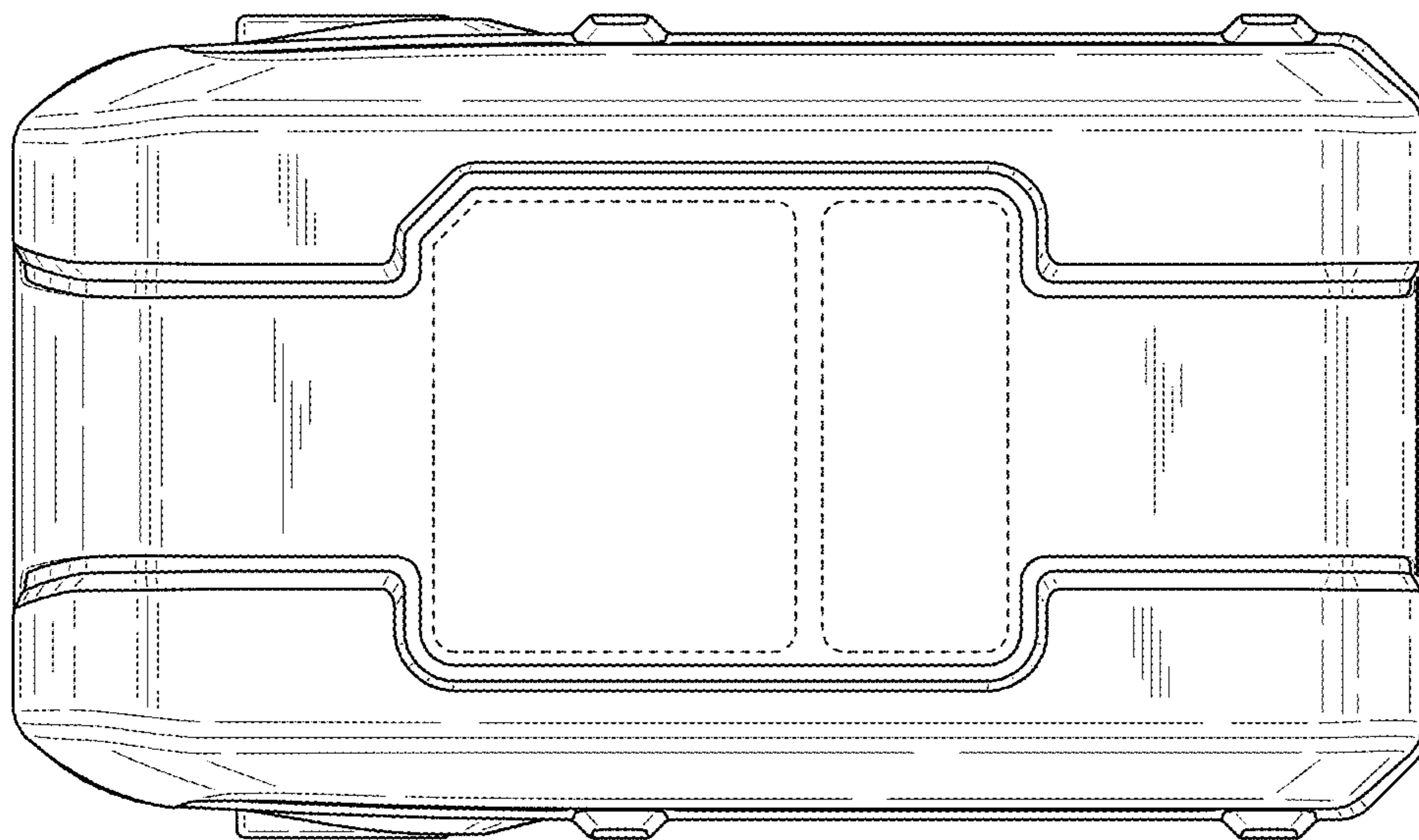


FIG. 8