



US00D800644S

(12) **United States Design Patent** (10) **Patent No.:** **US D800,644 S**  
**Tokizaki et al.** (45) **Date of Patent:** **\*\* Oct. 24, 2017**

(54) **AUTOMOBILE TIRE**  
(71) Applicant: **THE YOKOHAMA RUBBER CO., LTD.**, Minato-ku, Tokyo (JP)  
(72) Inventors: **Hiroshi Tokizaki**, Tokyo (JP); **Yasutaka Akashi**, Hiratsuka (JP)  
(73) Assignee: **THE YOKOHAMA RUBBER CO., LTD.**, Minato-ku, Tokyo (JP)

(\*\*) Term: **15 Years**  
(21) Appl. No.: **29/571,829**

(22) Filed: **Jul. 22, 2016**

(30) **Foreign Application Priority Data**  
Jan. 29, 2016 (JP) ..... 2016-001924  
(51) **LOC (10) Cl.** ..... **12-15**  
(52) **U.S. Cl.**  
USPC ..... **D12/605**  
(58) **Field of Classification Search**  
USPC ..... D12/605, 604  
CPC ..... B60C 13/00; B60C 1/00  
See application file for complete search history.

(56) **References Cited**  
U.S. PATENT DOCUMENTS  
D412,476 S \* 8/1999 Clementz ..... D12/605  
D517,003 S \* 3/2006 Shondel ..... D12/605  
D539,729 S \* 4/2007 Maxwell ..... D12/605  
D540,739 S \* 4/2007 Maxwell ..... D12/605  
D543,497 S \* 5/2007 Maxwell ..... D12/605  
D543,933 S \* 6/2007 Shondel ..... D12/605  
D563,310 S \* 3/2008 Shondel ..... D12/605  
D588,532 S \* 3/2009 Shondel ..... D12/605  
D610,981 S \* 3/2010 Shondel ..... D12/605  
D611,403 S \* 3/2010 Kuwano ..... D12/605  
D628,959 S \* 12/2010 Harvey ..... D12/605

D629,745 S \* 12/2010 Shondel ..... D12/605  
D632,641 S \* 2/2011 Sato ..... D12/605  
D638,783 S \* 5/2011 Endou ..... D12/605  
D655,671 S \* 3/2012 Yasunaga ..... D12/605  
D656,089 S \* 3/2012 Miyazaki ..... D12/605  
D671,066 S \* 11/2012 Morito ..... D12/605  
D680,490 S \* 4/2013 Iwabuchi ..... D12/605  
D681,546 S \* 5/2013 Sato ..... D12/605  
D681,547 S \* 5/2013 Sato ..... D12/605  
D683,695 S \* 6/2013 Takeshima ..... D12/605  
D689,815 S \* 9/2013 Kuwano ..... D12/605  
D695,211 S \* 12/2013 Yasunaga ..... D12/605  
D701,826 S \* 4/2014 Morito ..... D12/605

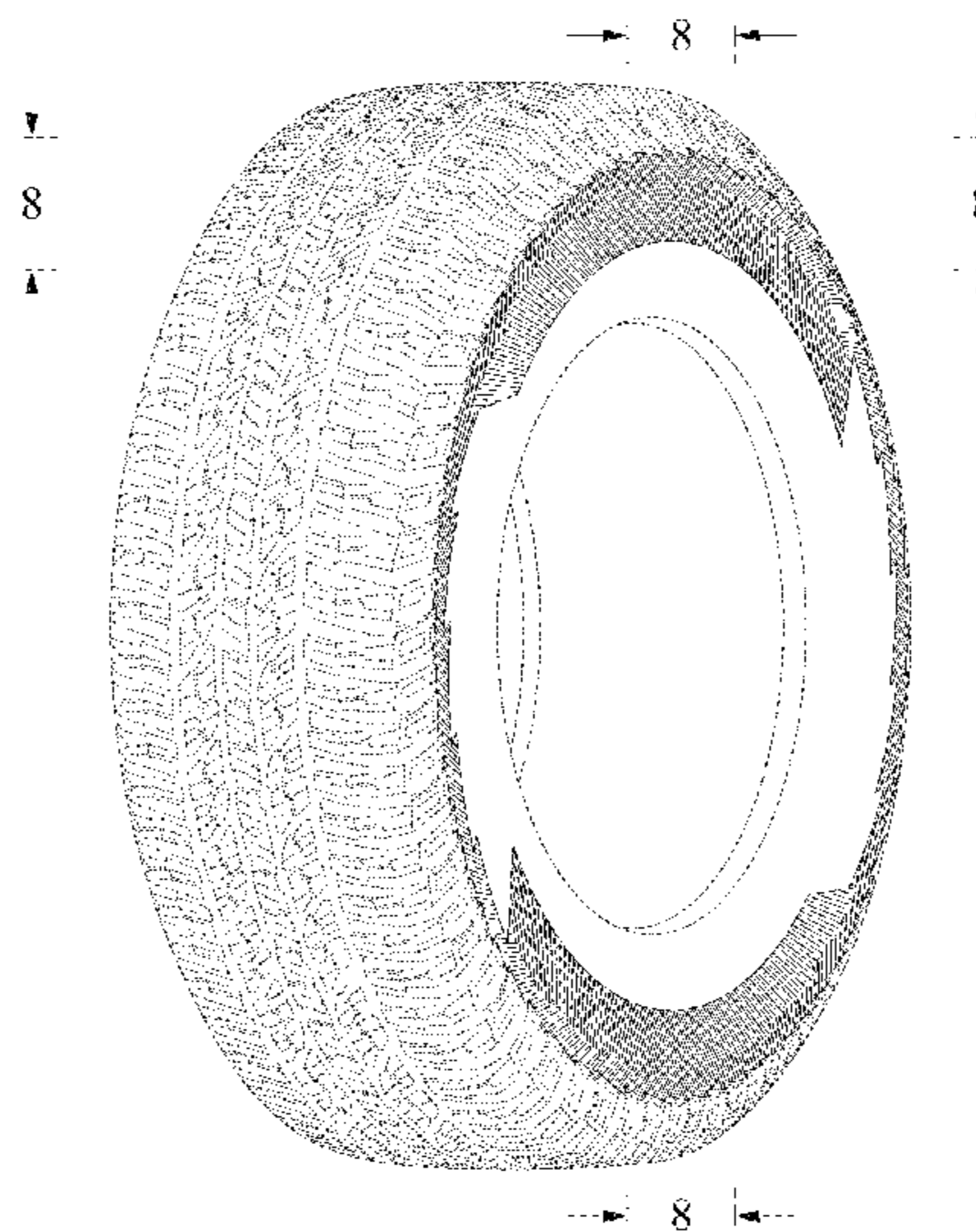
(Continued)

*Primary Examiner* — George D. Kirschbaum  
*Assistant Examiner* — Clese Moore, Jr.  
(74) *Attorney, Agent, or Firm* — Banner & Witcoff, Ltd.

(57) **CLAIM**  
The ornamental design for an automobile tire, as shown and described.

**DESCRIPTION**  
FIG. 1 is a perspective view of an automobile tire showing our new design;  
FIG. 2 is a front view thereof;  
FIG. 3 is a rear view thereof;  
FIG. 4 is a right side view thereof;  
FIG. 5 is a left side view thereof;  
FIG. 6 is a top view thereof;  
FIG. 7 is a bottom view thereof;  
FIG. 8 is a partially enlarged view of a portion defined by lines 8-8 shown in FIG. 1;  
FIG. 9 is a partially enlarged view of a portion defined by lines 9-9 shown in FIG. 2; and,  
FIG. 10 is a cross sectional view of a portion defined by lines 10-10 shown in FIG. 9.  
In the drawings, the broken lines depict environmental subject matter only and form no part of the claimed design.

**1 Claim, 10 Drawing Sheets**



(56)

**References Cited**

U.S. PATENT DOCUMENTS

D707,621 S *	6/2014	Tokizaki .....	D12/605
D710,297 S *	8/2014	Itoi .....	D12/605
D739,344 S *	9/2015	Kuwano .....	D12/605
D740,220 S *	10/2015	Nakamura .....	D12/605
D740,747 S *	10/2015	Sato .....	D12/605
D754,595 S *	4/2016	Tokizaki .....	D12/605
D754,596 S *	4/2016	Tokizaki .....	D12/605
D777,094 S *	1/2017	Takahashi .....	D12/605

\* cited by examiner

**FIG. 1**

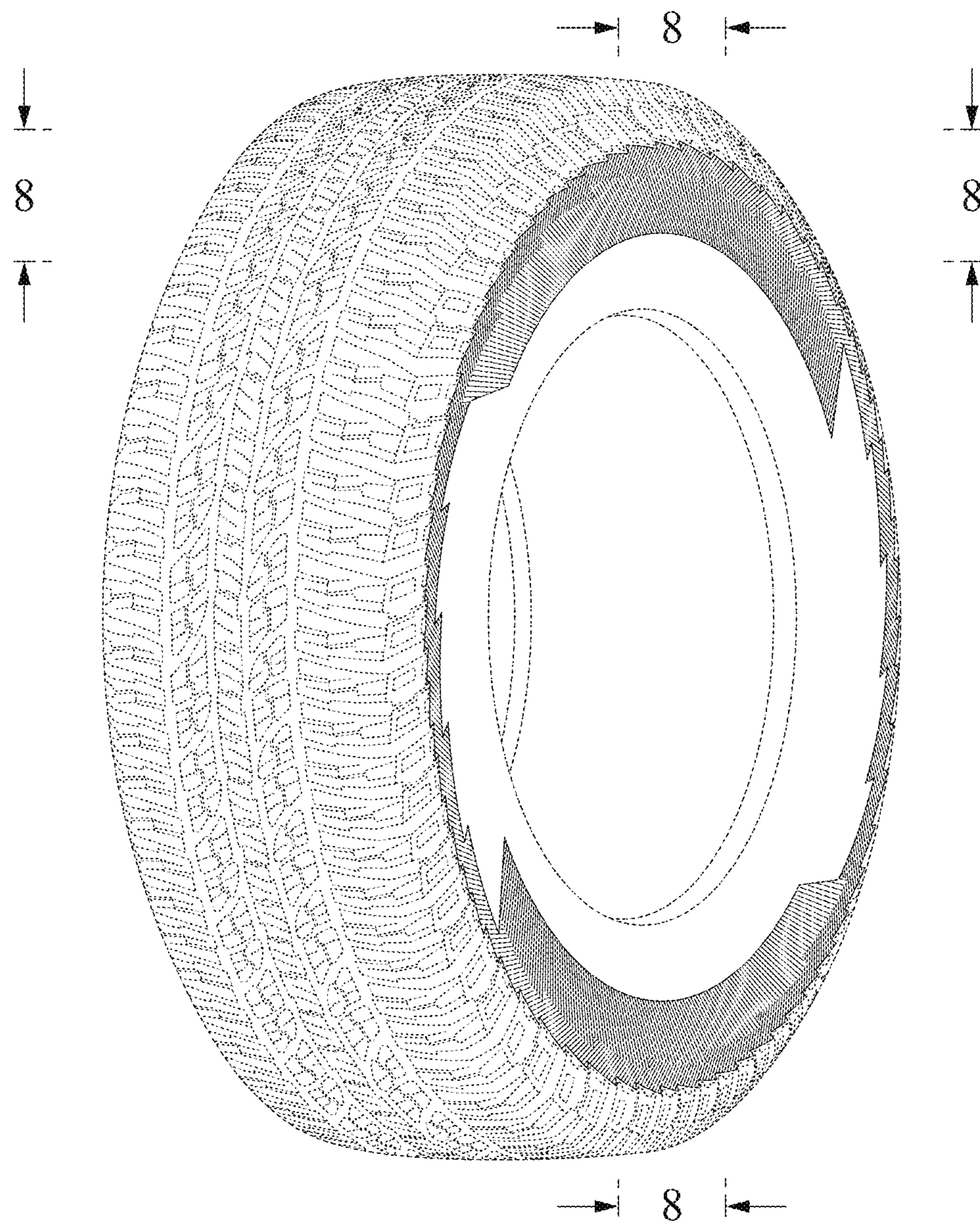
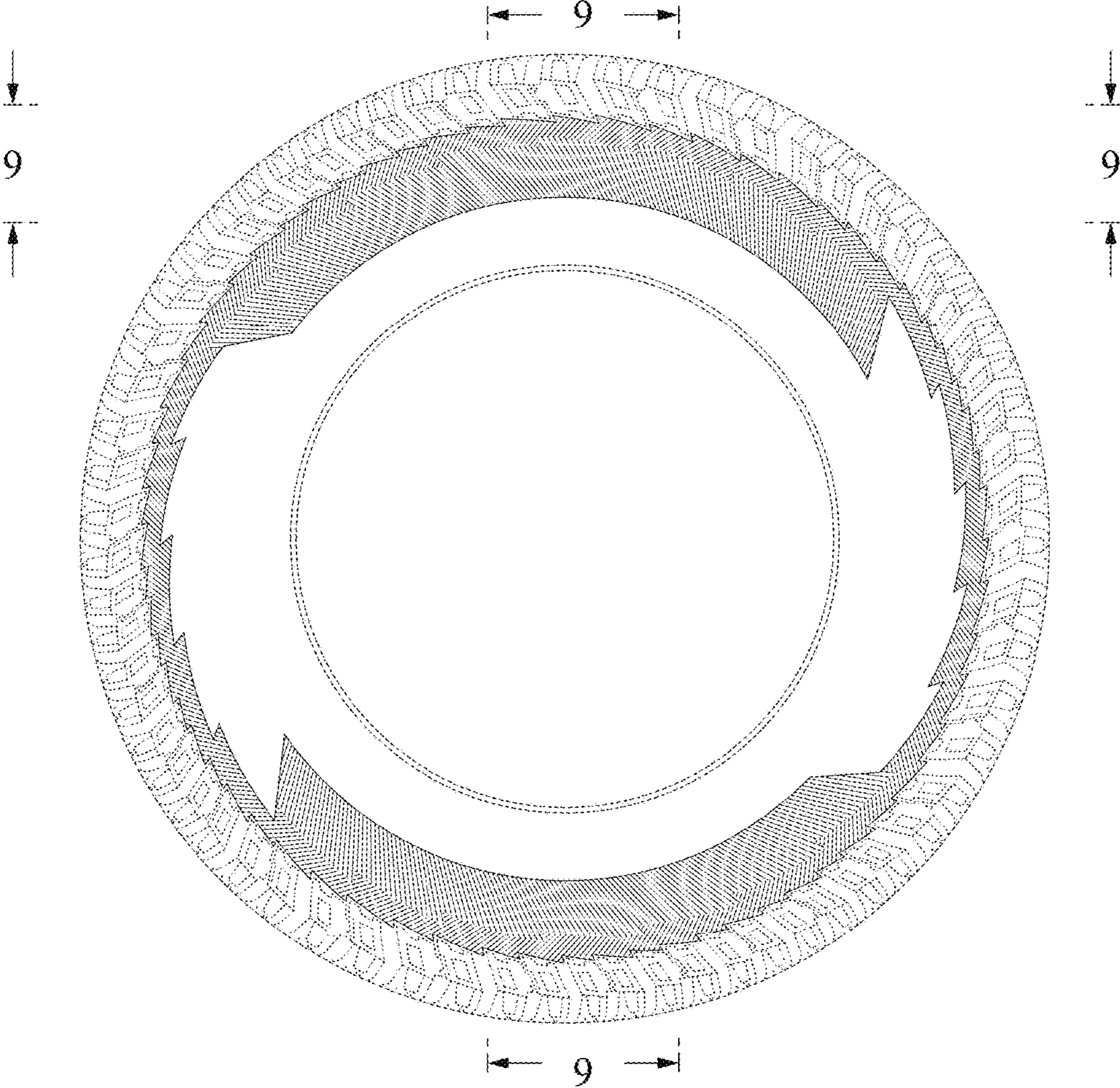
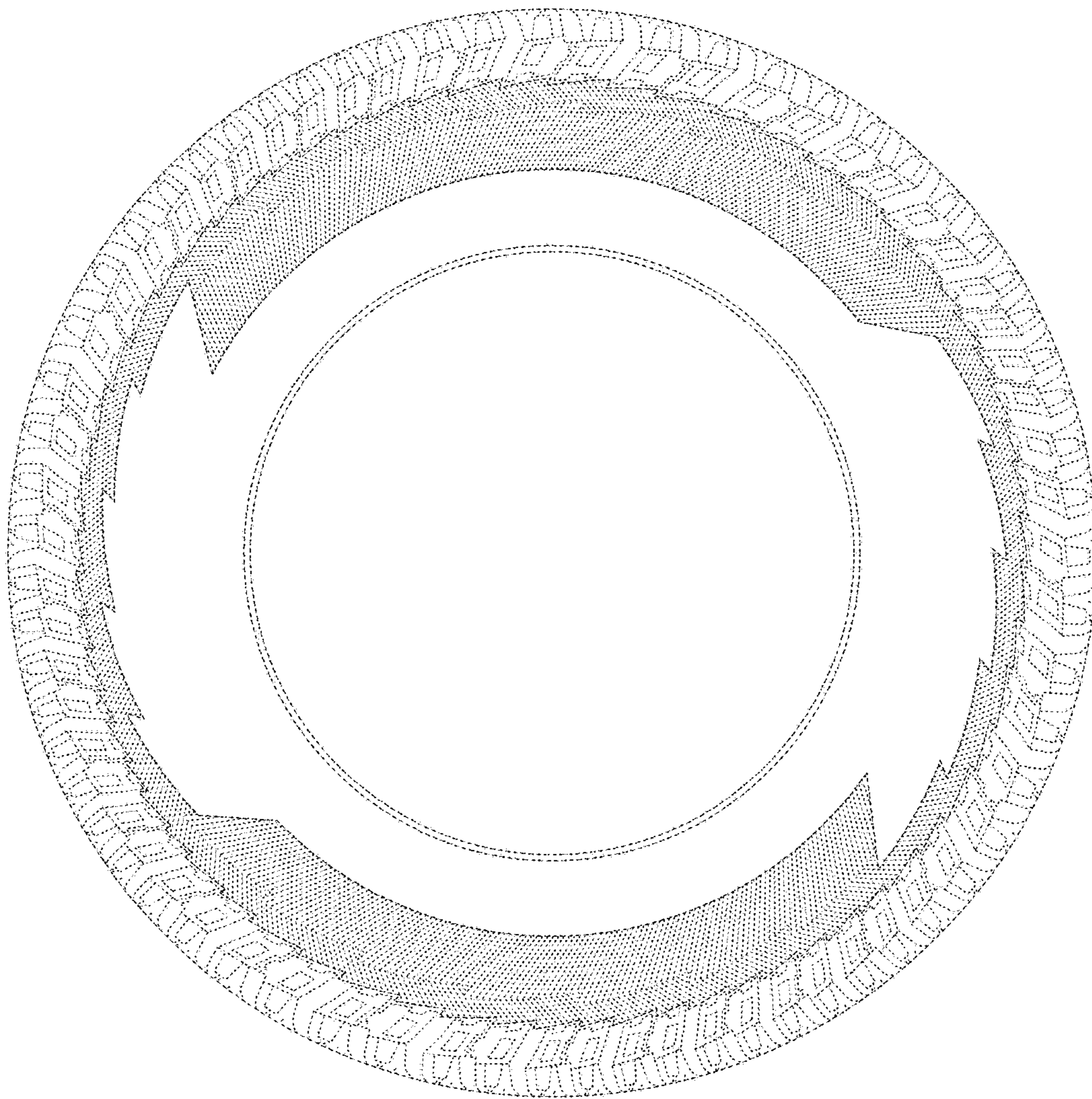


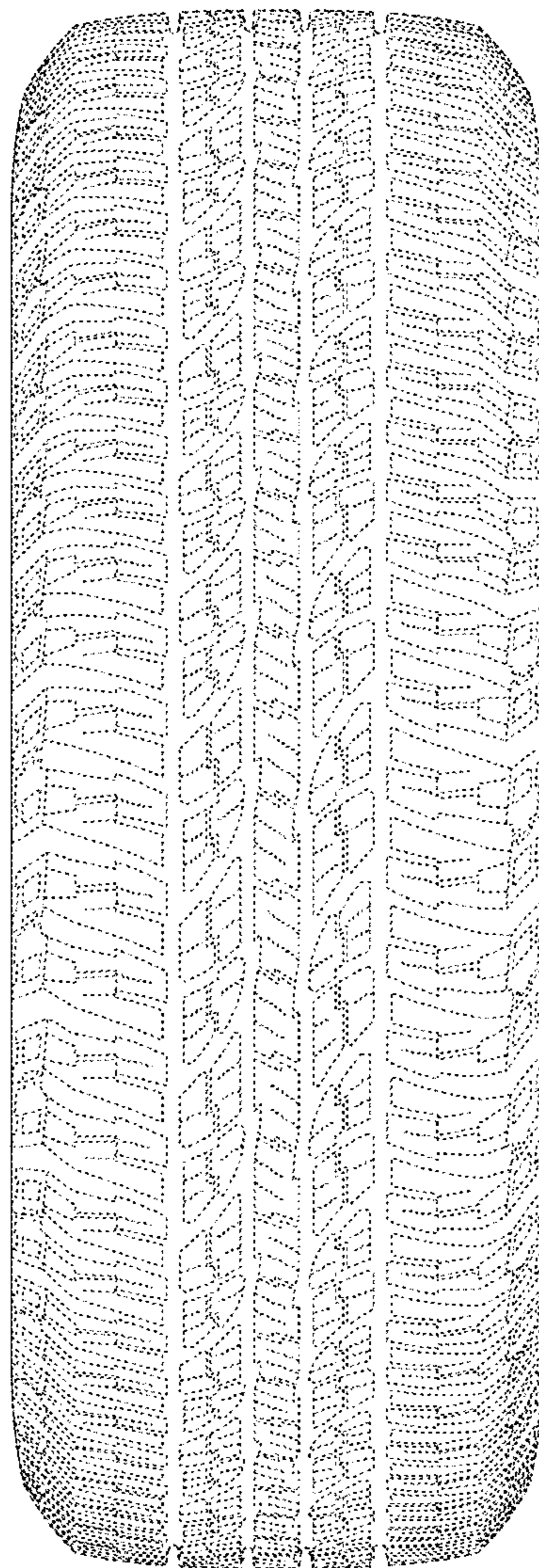
FIG. 2



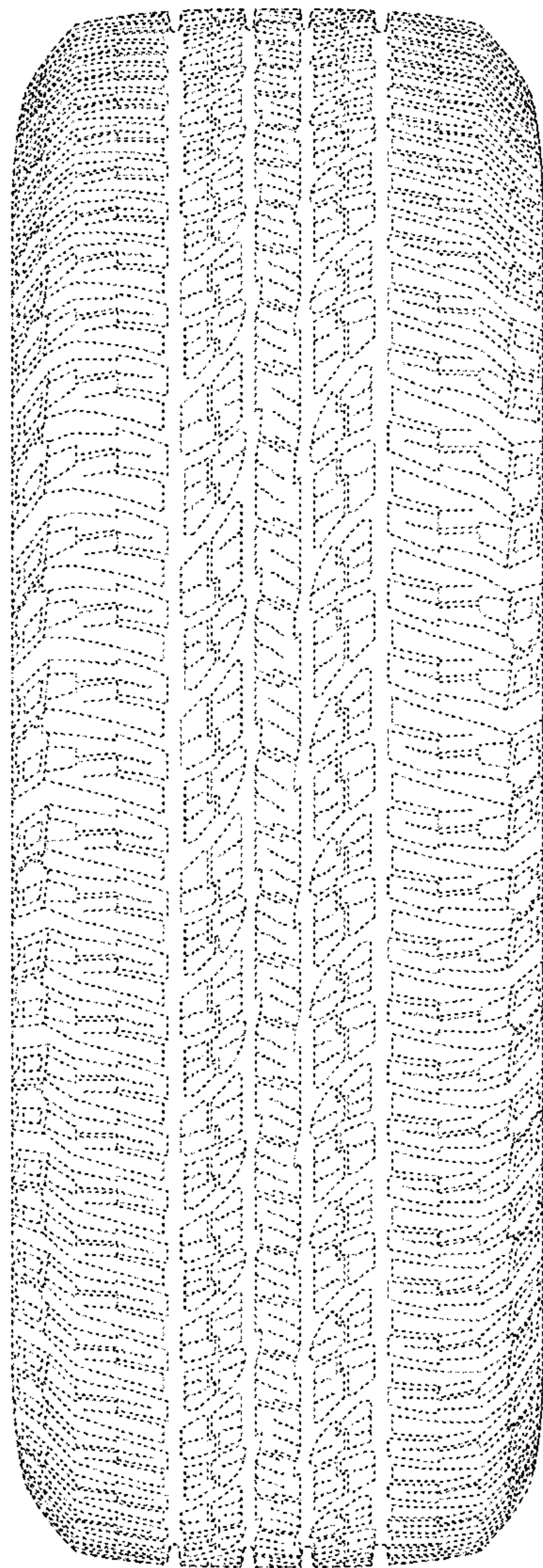
**FIG. 3**



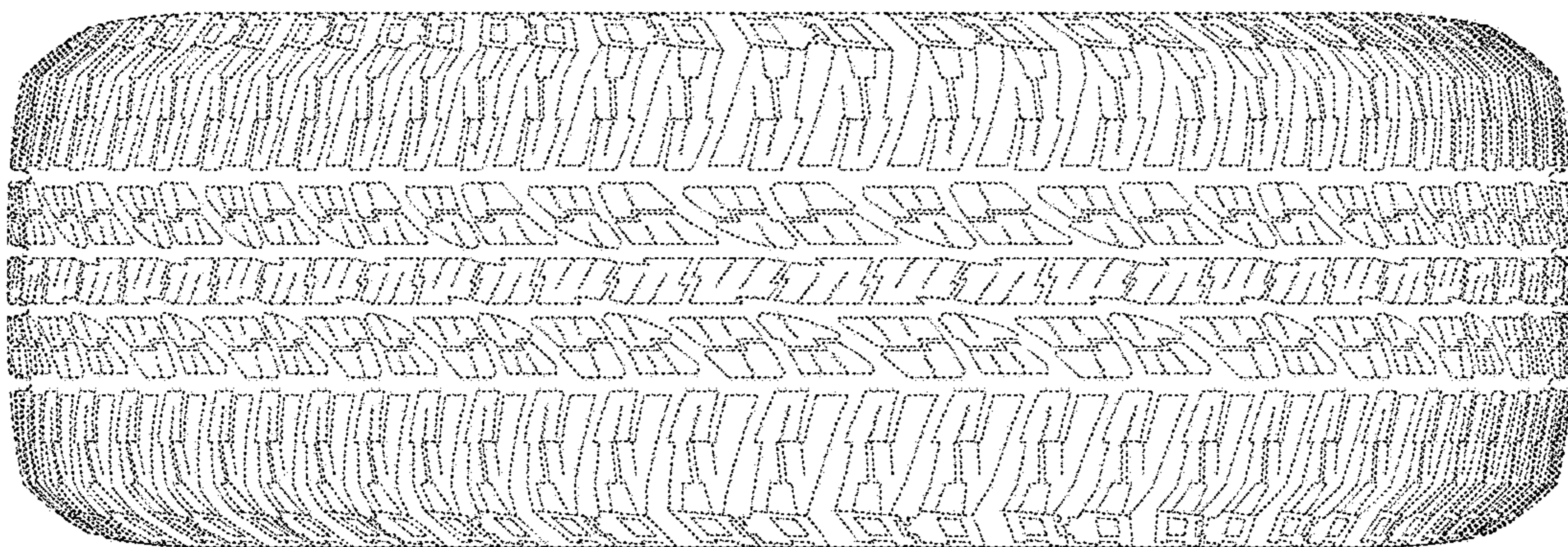
**FIG. 4**



**FIG. 5**

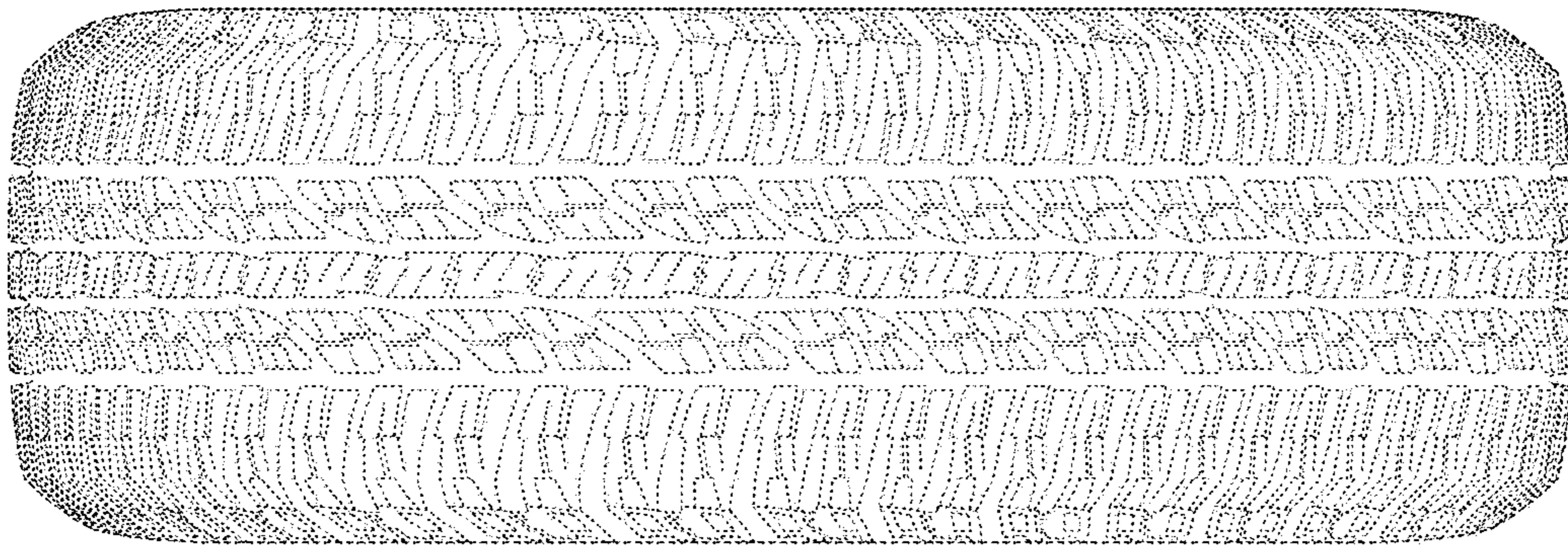


**FIG. 6**

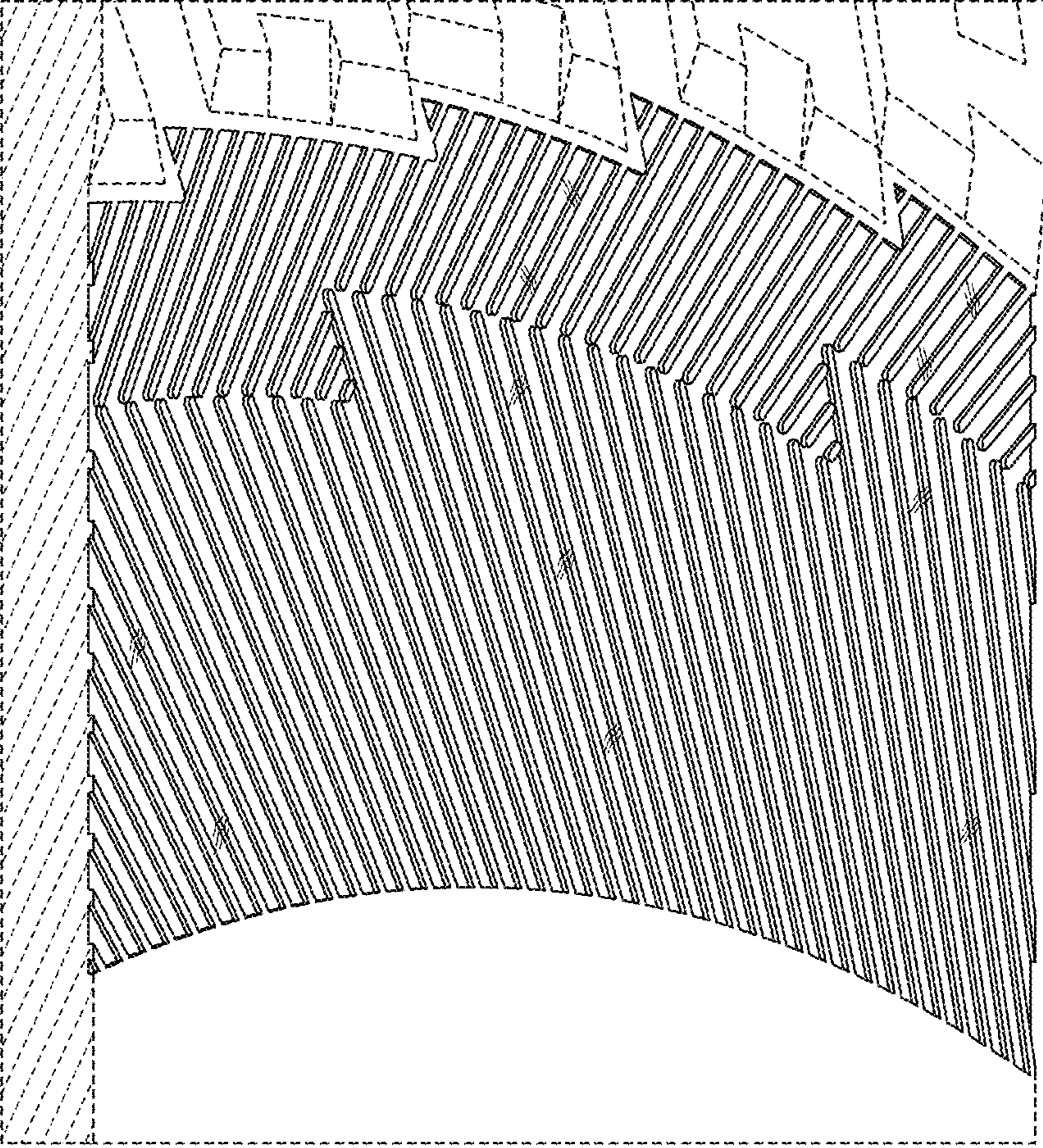




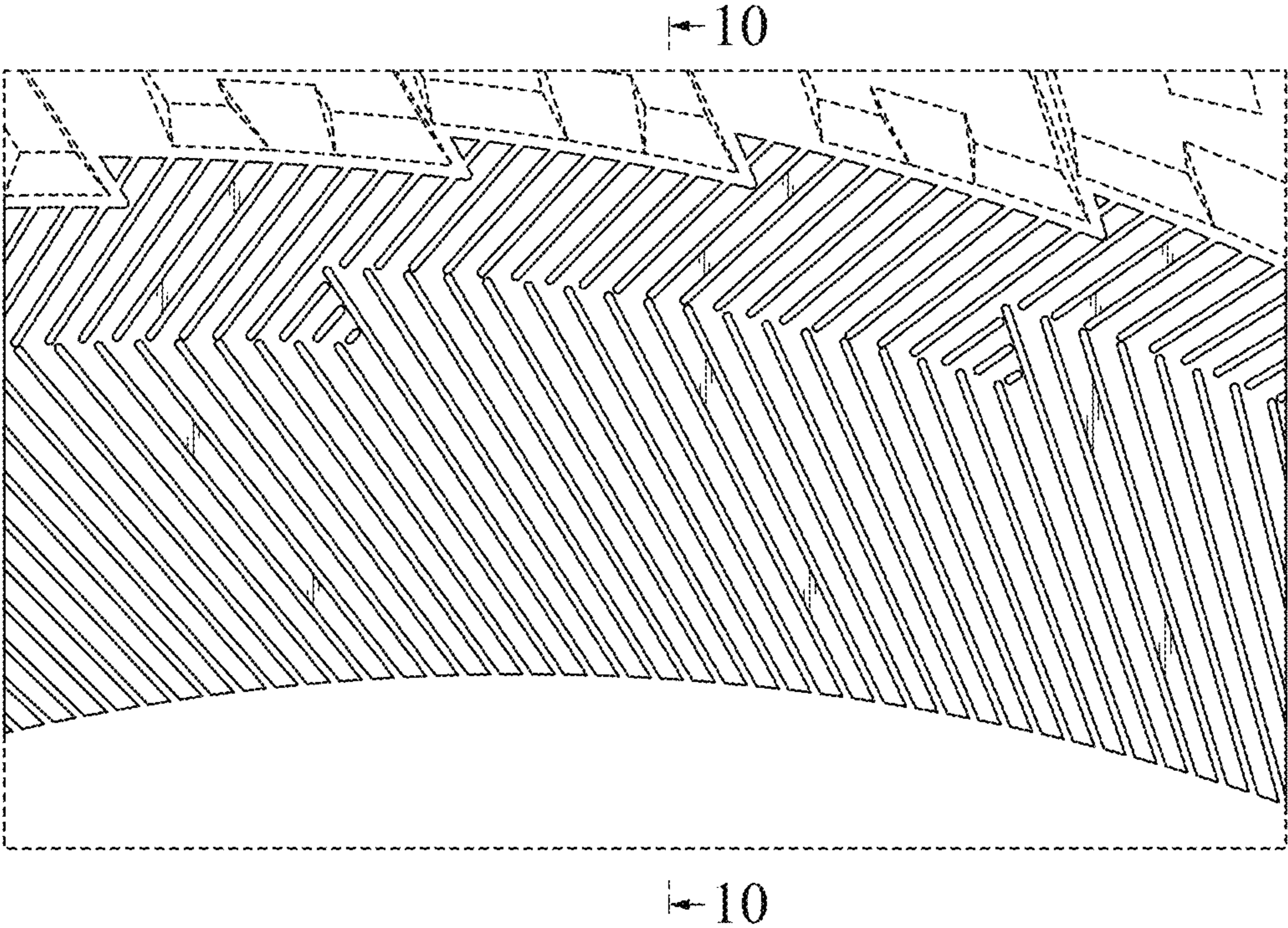
**FIG. 7**



**FIG. 8**



**FIG. 9**



**FIG. 10**

