



US00D800637S

(12) **United States Design Patent** (10) **Patent No.:** **US D800,637 S**
Nguyen et al. (45) **Date of Patent:** **** Oct. 24, 2017**

(54) **TIRE**

- (71) Applicant: **The Goodyear Tire & Rubber Company**, Akron, OH (US)
- (72) Inventors: **Lac An Nguyen**, Wadsworth, OH (US); **Micah Richard Irwin**, Hudson, OH (US); **Kevin Lee Burnworth**, Cuyahoga Falls, OH (US); **Kazunori Shinohara**, Copley, OH (US); **Kei Hayakawa**, Uniontown, OH (US)
- (73) Assignee: **The Goodyear Tire & Rubber Company**, Akron, OH (US)
- (**) Term: **15 Years**

- (21) Appl. No.: **29/575,889**
- (22) Filed: **Aug. 30, 2016**
- (51) **LOC (10) Cl.** **12-15**
- (52) **U.S. Cl.**
USPC **D12/521**
- (58) **Field of Classification Search**
USPC D12/505, 519, 521–523, 530, 531–532
CPC B60C 1/0016; B60C 3/06; B60C 9/17;
B60C 11/0306; B60C 11/0302; B60C 11/11; B60C 2011/0346; B60C 2011/0365; B60C 2011/0369; B60C 2011/0381
See application file for complete search history.

(56) **References Cited**

U.S. PATENT DOCUMENTS

D432,956 S	10/2000	Ricquet	D12/141
D489,318 S *	5/2004	Buresh	D12/601
D559,767 S	1/2008	Graas et al.	D12/521
D560,595 S	1/2008	Bindner et al.	D12/521
D560,600 S	1/2008	Dixon et al.	D12/588
D586,733 S *	2/2009	Shinohara	D12/588
D601,939 S	10/2009	Fontaine et al.	D12/519

(Continued)

OTHER PUBLICATIONS

Eagle LS-2—Size: 225/55R17, posted at Tirerack.com, posted on © 2017, site visited Jun. 21, 2017, <<https://www.tirerack.com/survey/SurveyComments.jsp?&category=tire&additionalComments=y&commentStatus=P&tireMake=Goodyear&tireModel=Eagle+LS-2&fromTireDetail=true&partnum=255HR7ELS2V2&tirePageLocQty=%26partnum%3D255HR7ELS2V2#>>>.*

Primary Examiner — Barbara Fox
Assistant Examiner — Messina L Smith
(74) *Attorney, Agent, or Firm* — Robert N. Lipsik

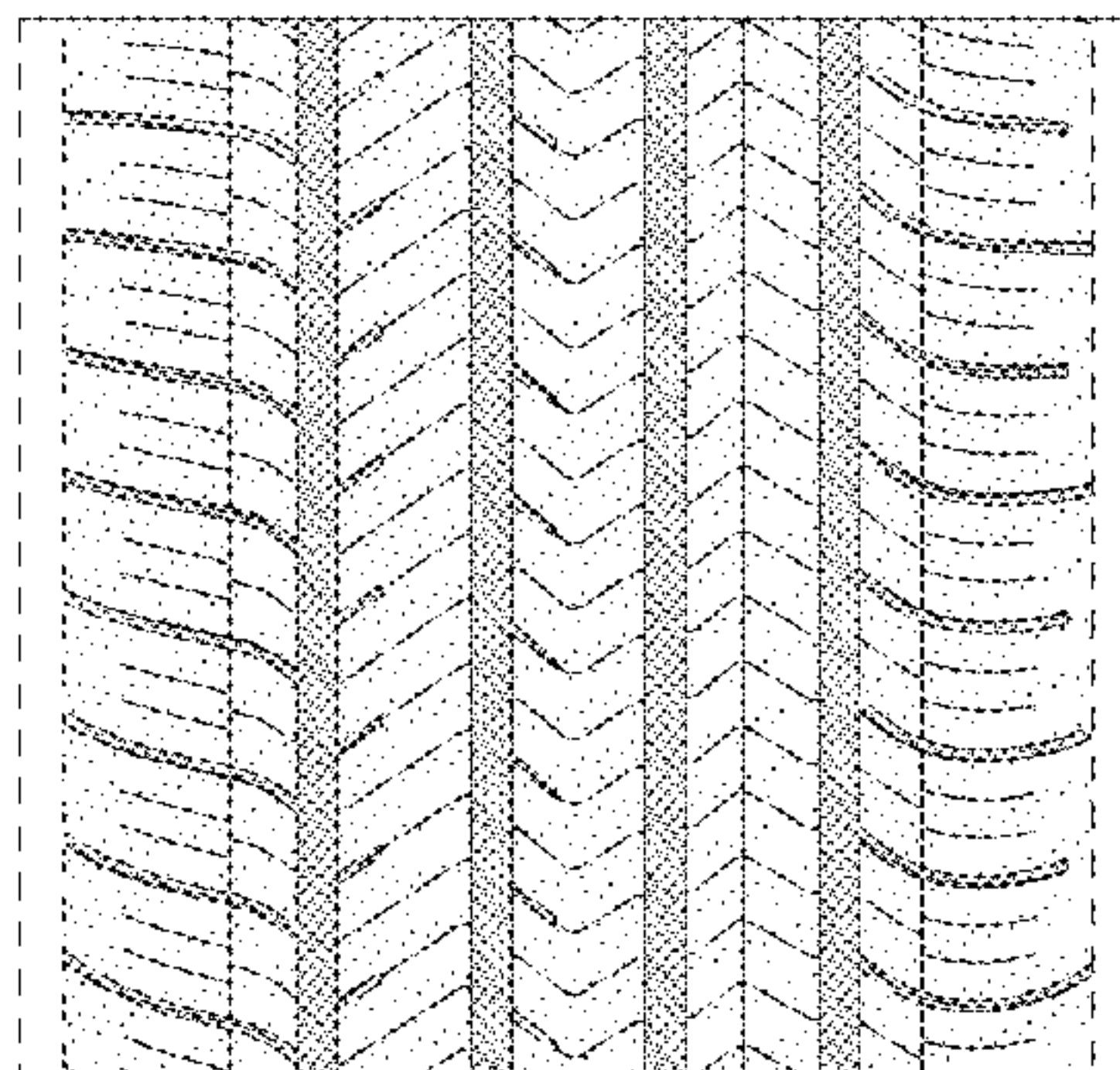
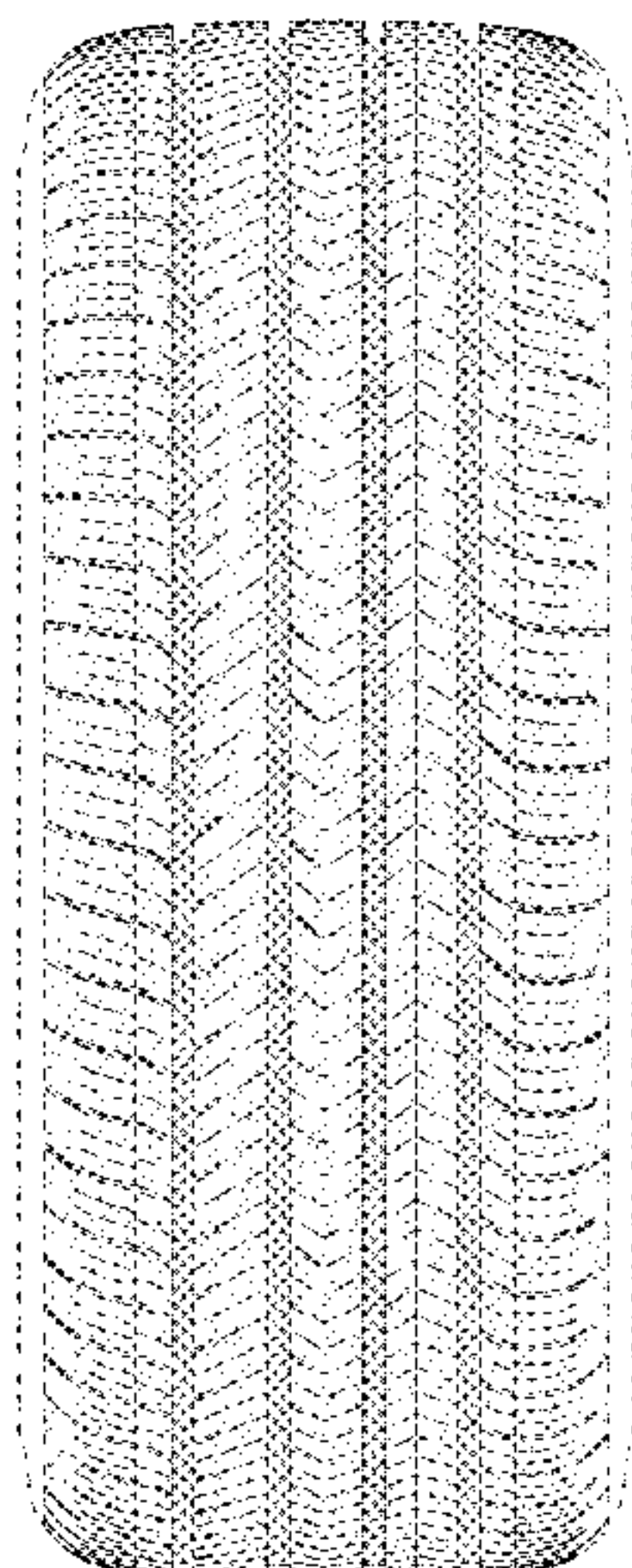
(57) **CLAIM**

The ornamental design for a tire, as shown and described.

DESCRIPTION

FIG. 1 is a right side perspective view of a tire showing our new design, it being understood that the pattern repeats uniformly throughout the circumference of the tread;
 FIG. 2 is a left side perspective view thereof;
 FIG. 3 is a front elevational view thereof;
 FIG. 4 is a right side elevational view thereof;
 FIG. 5 is a left side elevational view thereof;
 FIG. 6 is an enlarged fragmentary front elevational view thereof;
 FIG. 7 is a right side perspective view of a second embodiment of a tire showing our new design, it being understood that the pattern repeats uniformly throughout the circumference of the tread;
 FIG. 8 is a left side perspective view of a second embodiment; and,
 FIG. 9 is a front elevational view of a second embodiment, it being understood that an enlarged fragmentary view thereof would be identical to that shown in FIG. 6, with the exception of the inclusion of the sidewall in solid lines.
 In the drawings, the broken lines showing of the sidewall, inner bead and the peripheral boundary between the tire tread and the sidewall in FIGS. 1 through 6 depict environmental subject matter and form no part of the claimed design.

1 Claim, 9 Drawing Sheets



(56)

References Cited

U.S. PATENT DOCUMENTS

D609,161 S	2/2010	Fontaine et al.	D12/517
D634,699 S	3/2011	Fontaine et al.	D12/517
D644,593 S	9/2011	Fontaine et al.	D12/523
D659,633 S	5/2012	Bindner et al.	D12/521
D668,598 S	10/2012	Hughes et al.	D12/521
D673,894 S	1/2013	Hughes et al.	D12/521
D713,325 S	9/2014	Maxwell et al.	D12/521
D724,005 S	3/2015	Hughes et al.	D12/515
D735,637 S	8/2015	Hughes et al.	D12/521
D736,697 S	8/2015	Leocadio et al.	D12/601
D737,752 S	9/2015	Shondel et al.	D12/521
D737,754 S *	9/2015	Bourel	D12/594
D740,205 S	10/2015	Hughes et al.	D12/521
D752,504 S *	3/2016	Sareen	D12/521
D756,295 S	5/2016	Pingenat et al.	D12/588
D768,054 S *	10/2016	Wang	D12/523
D772,146 S *	11/2016	Tikka	D12/523
D785,544 S *	5/2017	Hayashi	D12/521
D789,278 S *	6/2017	Shondel	D12/519
D789,870 S *	6/2017	Dixon	D12/521

* cited by examiner

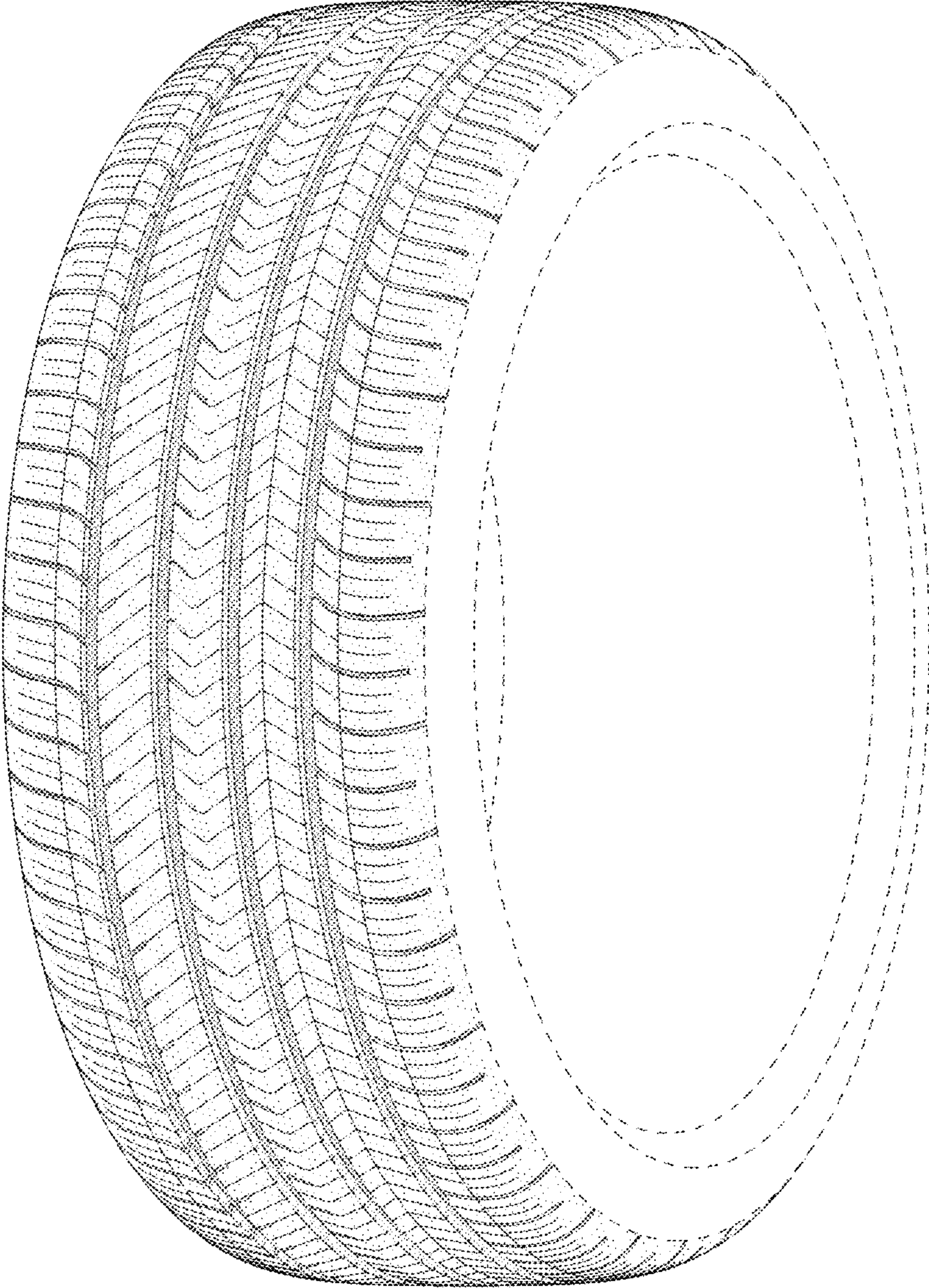


FIG - 1

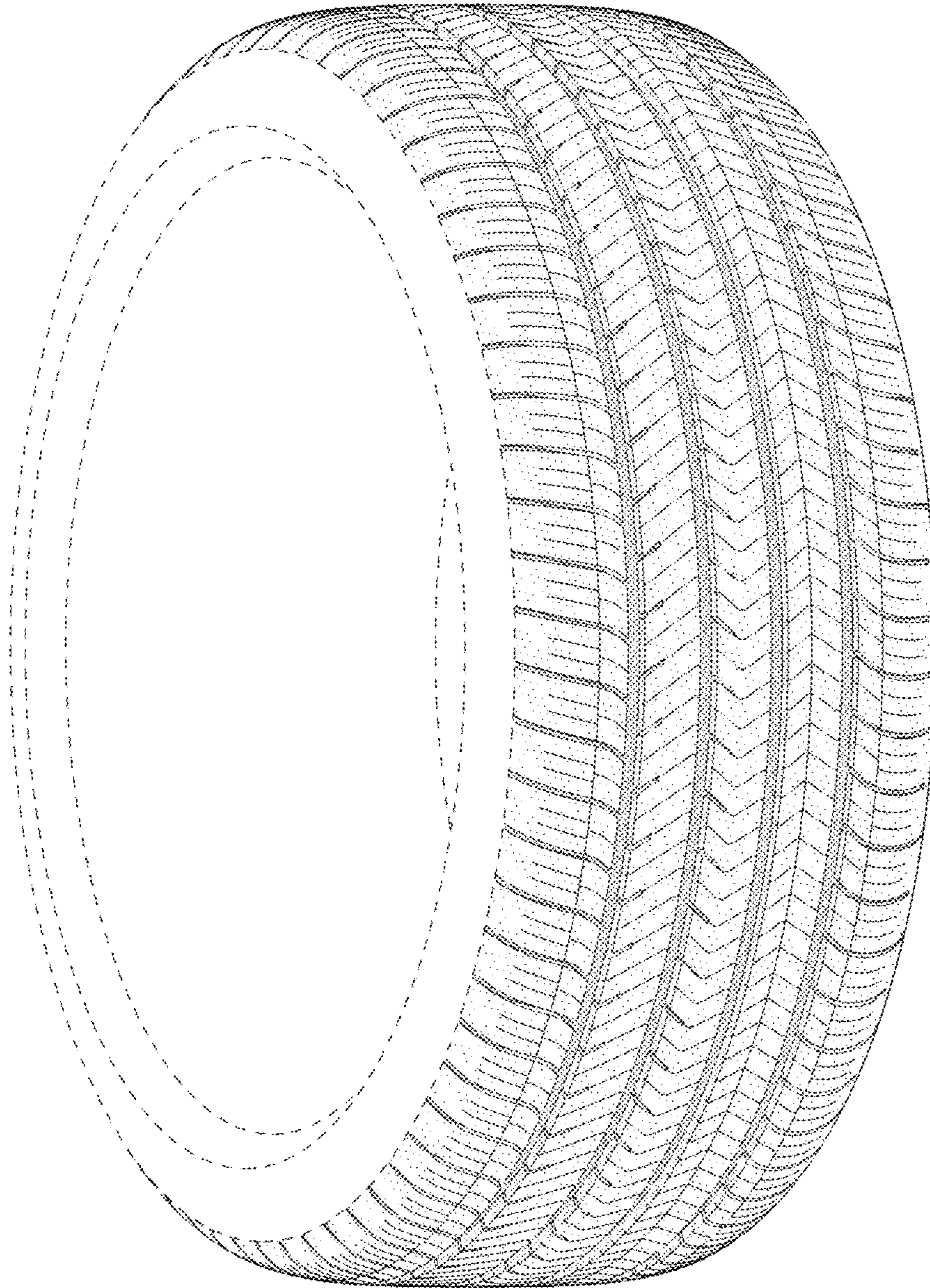


FIG - 2

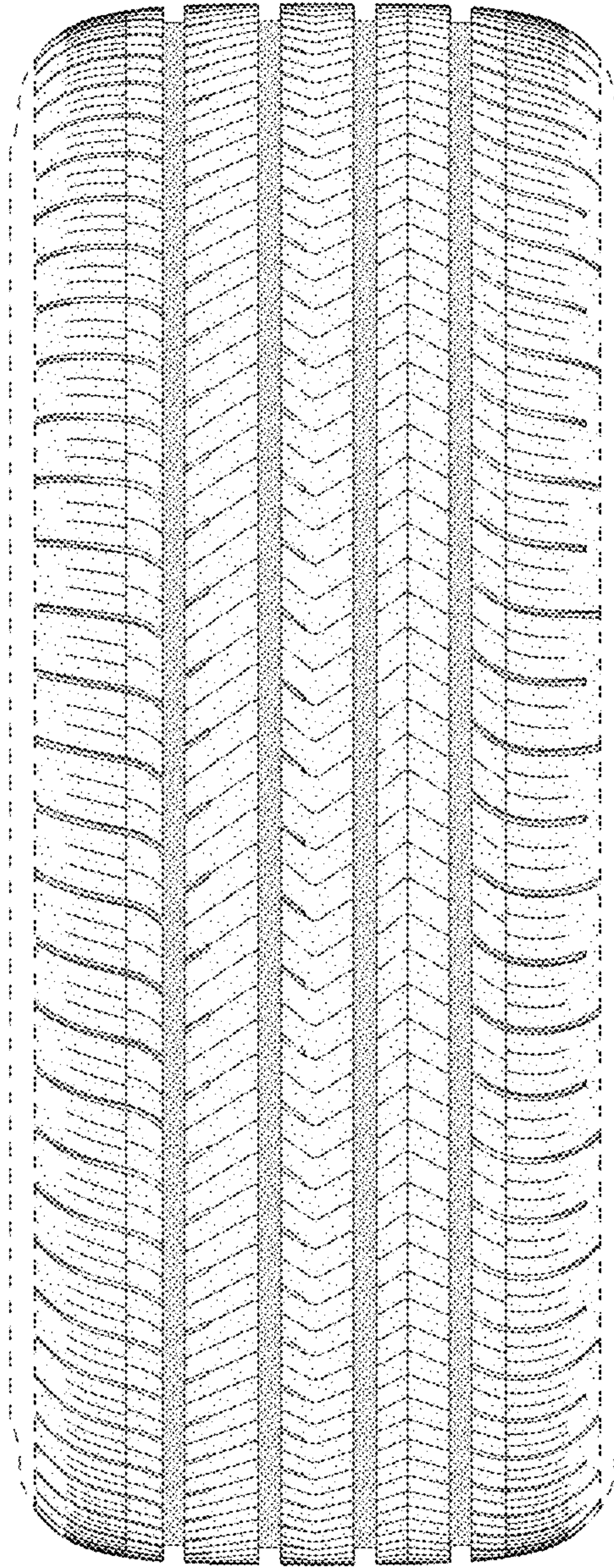


FIG - 3

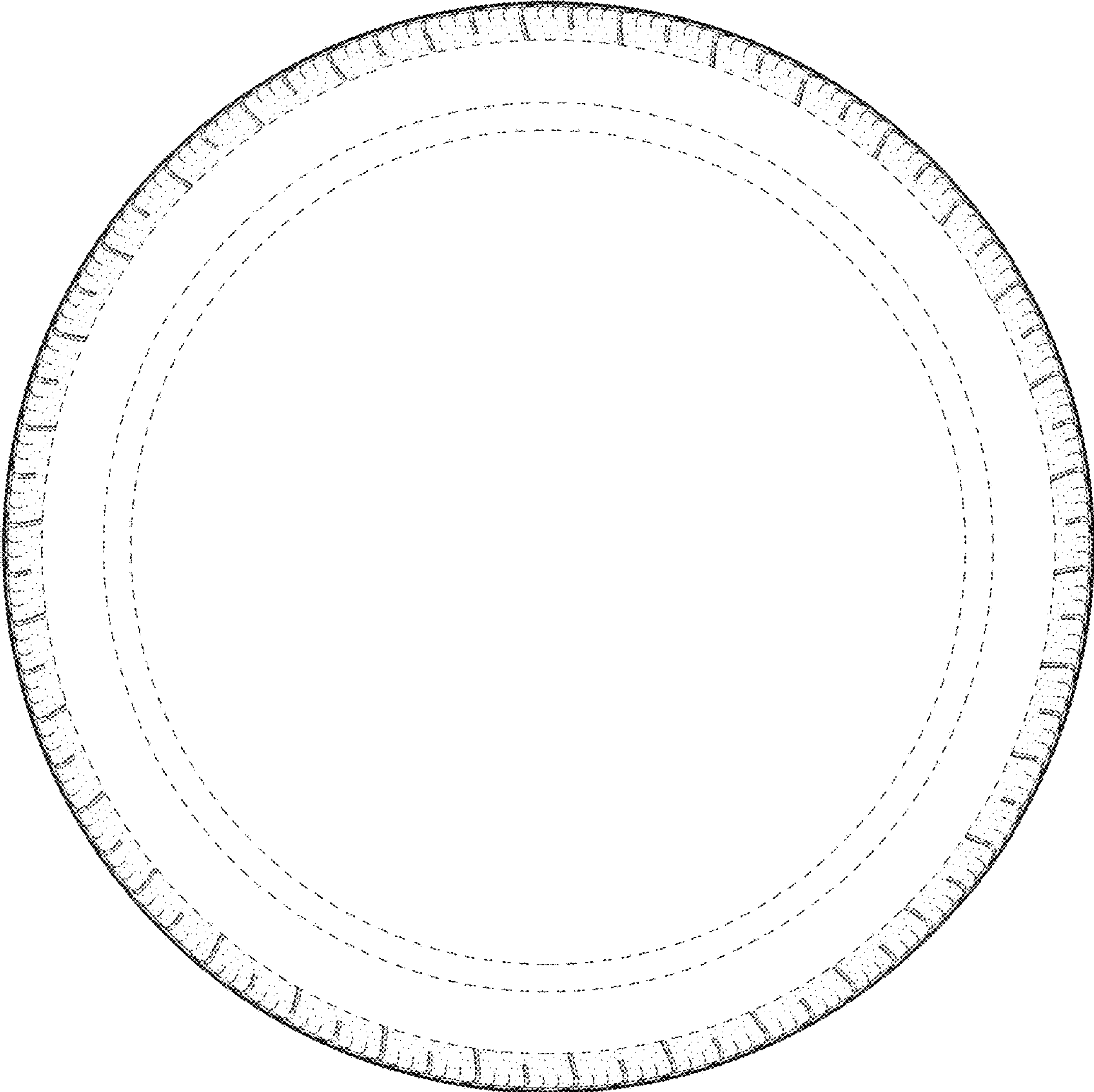


FIG - 4

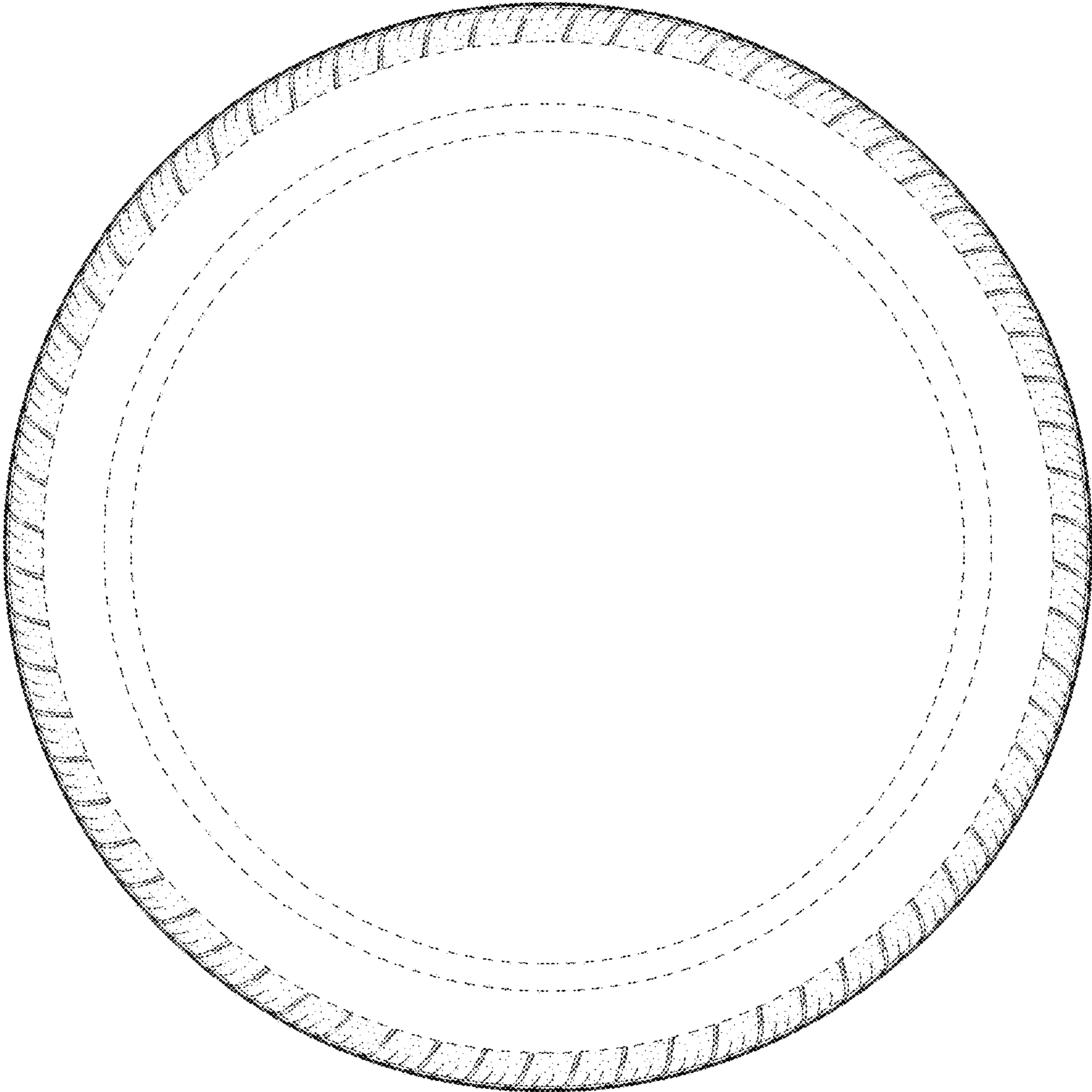


FIG - 5

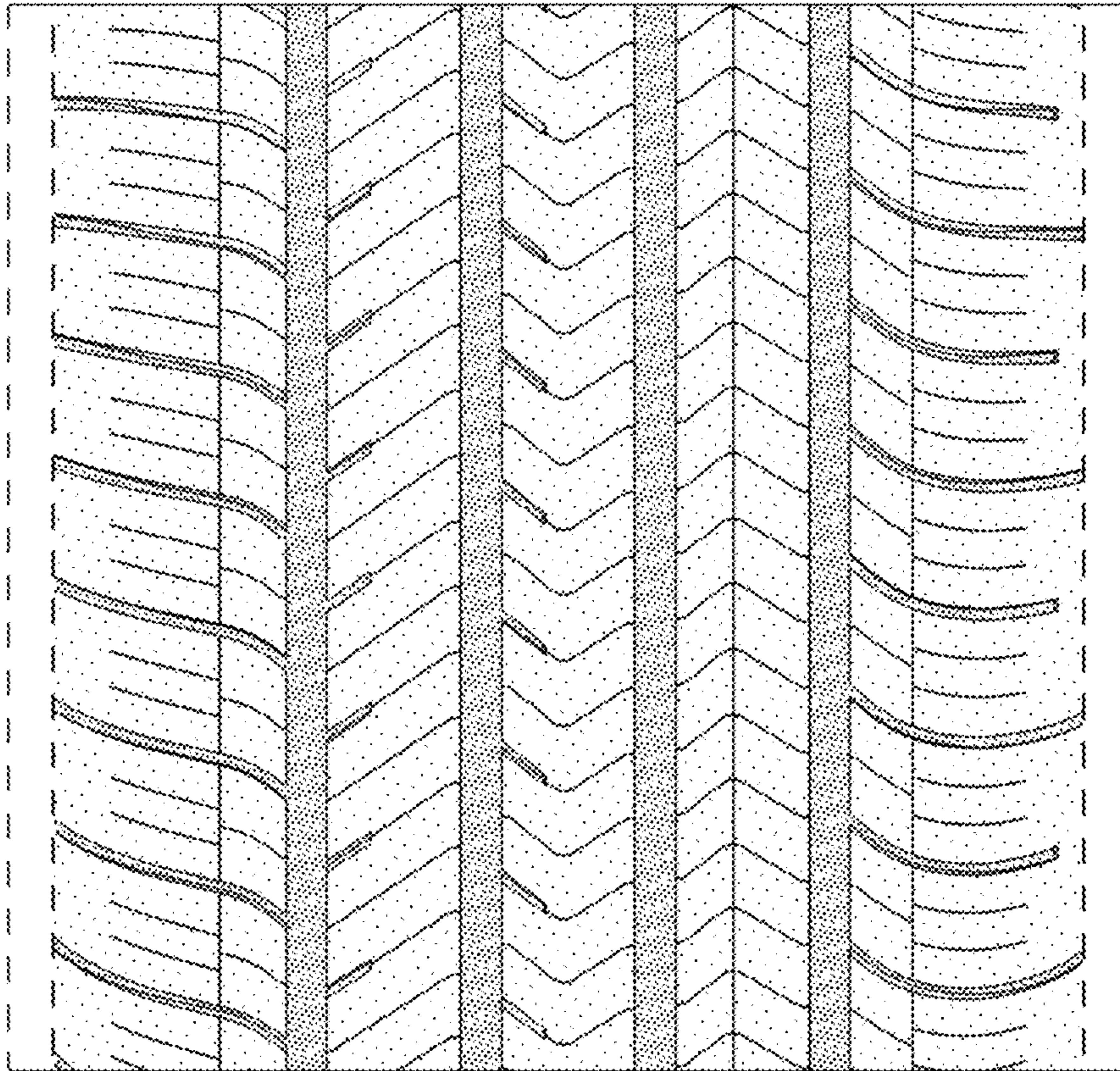


FIG - 6

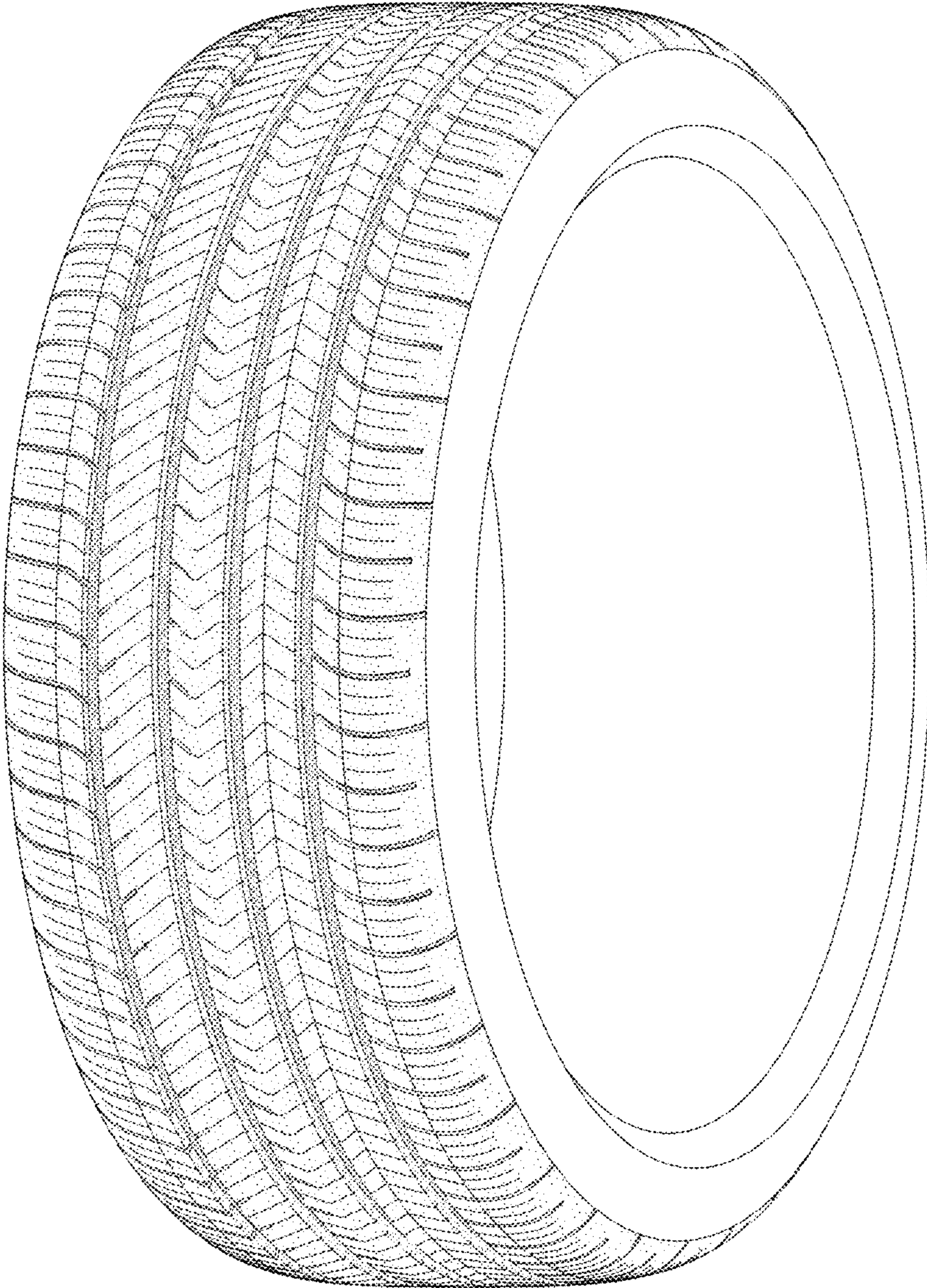


FIG - 7

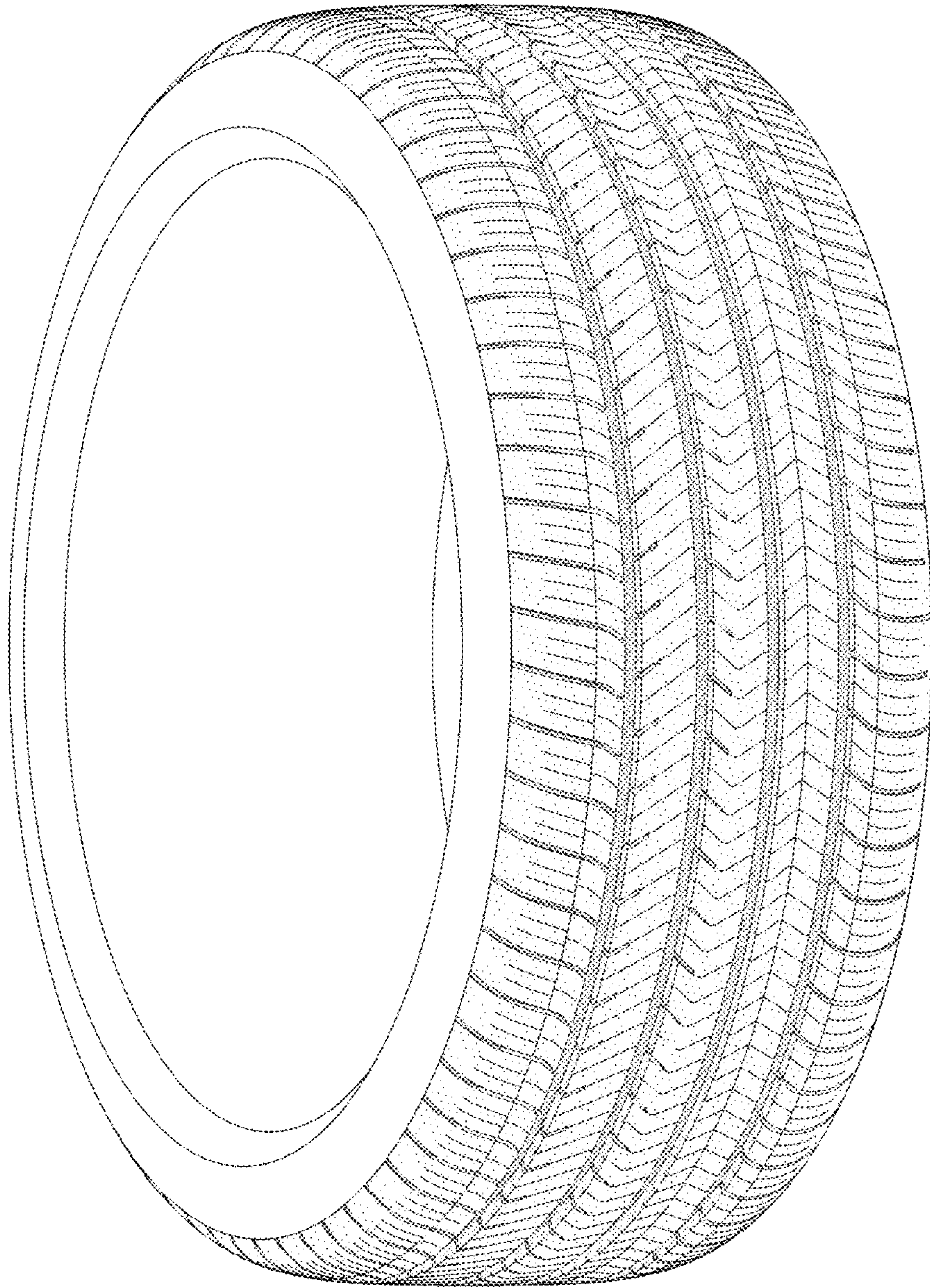


FIG - 8

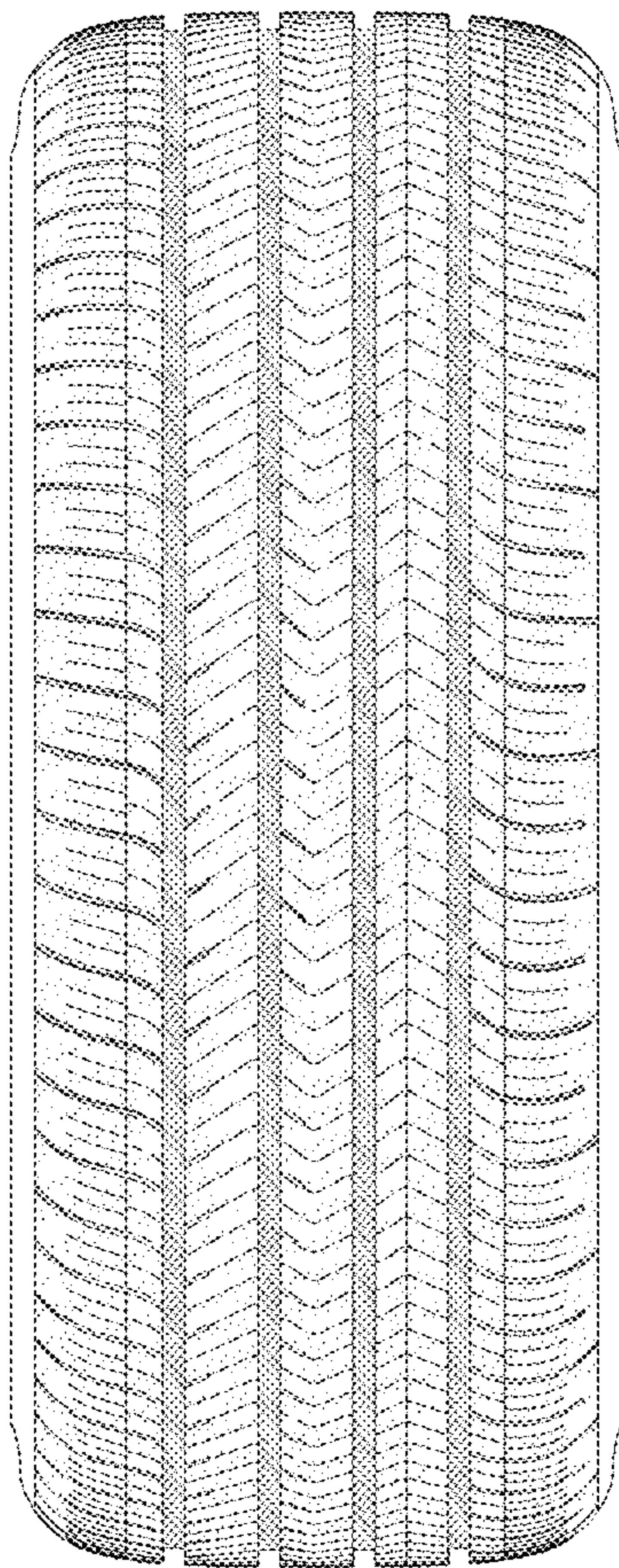


FIG - 9