



US00D800636S

(12) **United States Design Patent**
Morita

(10) **Patent No.:** **US D800,636 S**

(45) **Date of Patent:** **** Oct. 24, 2017**

(54) **AUTOMOBILE TIRE**

(71) Applicant: **THE YOKOHAMA RUBBER CO., LTD.**, Minato-ku, Tokyo (JP)

(72) Inventor: **Kenichi Morita**, Hiratsuka (JP)

(73) Assignee: **THE YOKOHAMA RUBBER CO., LTD.**, Minato-ku, Tokyo (JP)

(**) Term: **15 Years**

(21) Appl. No.: **29/577,864**

(22) Filed: **Sep. 16, 2016**

(30) **Foreign Application Priority Data**

Mar. 17, 2016 (JP) 2016-005950

(51) **LOC (10) Cl.** **12-15**

(52) **U.S. Cl.**
USPC **D12/516**

(58) **Field of Classification Search**

USPC D12/505, 519, 521-523, 531-532
CPC B60C 1/0016; B60C 3/06; B60C 9/17;
B60C 11/0306; B60C 11/0302; B60C
11/11; B60C 2011/0346; B60C
2011/0365; B60C 2011/0369; B60C
2011/0381

See application file for complete search history.

(56) **References Cited**

U.S. PATENT DOCUMENTS

D666,964 S *	9/2012	Ishida	D12/519
D684,919 S *	6/2013	Maxwell	D12/521
D696,182 S *	12/2013	Sakamoto	D12/519
D727,835 S *	4/2015	Murata	D12/519
D753,049 S *	4/2016	Koishikawa	D12/523
D769,792 S *	10/2016	Kimura	D12/521
D785,543 S *	5/2017	Suzuki	D12/520

D786,773 S *	5/2017	Raatikainen	D12/519
D786,778 S *	5/2017	Suzuki	D12/527
9,662,941 B2 *	5/2017	Yamakawa	B60C 11/1369

OTHER PUBLICATIONS

Yokohama Rubber to Release Tire with Chelsea Football Club Logo Commemorating Partnership, posted at Y-yokohama.com, posted on Oct. 29, 2015, site visited Jun. 20, 2017, <<http://www.yokohama.com/release/?id=2525&lang=en&category=0200>>.*

(Continued)

Primary Examiner — Barbara Fox

Assistant Examiner — Messina L Smith

(74) *Attorney, Agent, or Firm* — Banner & Witcoff, Ltd.

(57) **CLAIM**

The ornamental design for an automobile tire, as shown and described.

DESCRIPTION

FIG. 1 is a perspective view of an automobile tire showing my new design;

FIG. 2 is a front view thereof;

FIG. 3 is a rear view thereof;

FIG. 4 is a right side view thereof;

FIG. 5 is a left side view thereof;

FIG. 6 is a top view thereof;

FIG. 7 is a bottom view thereof;

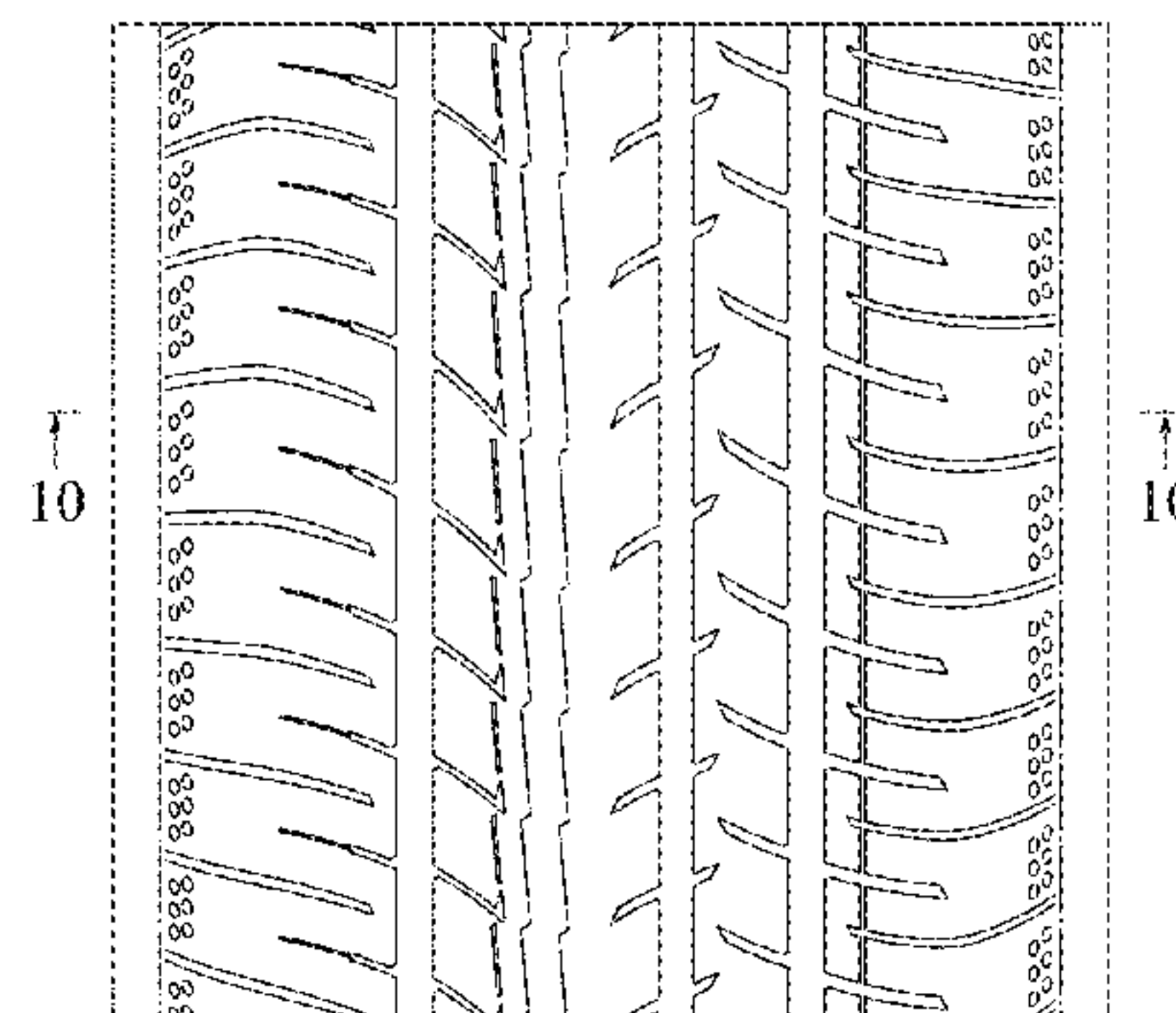
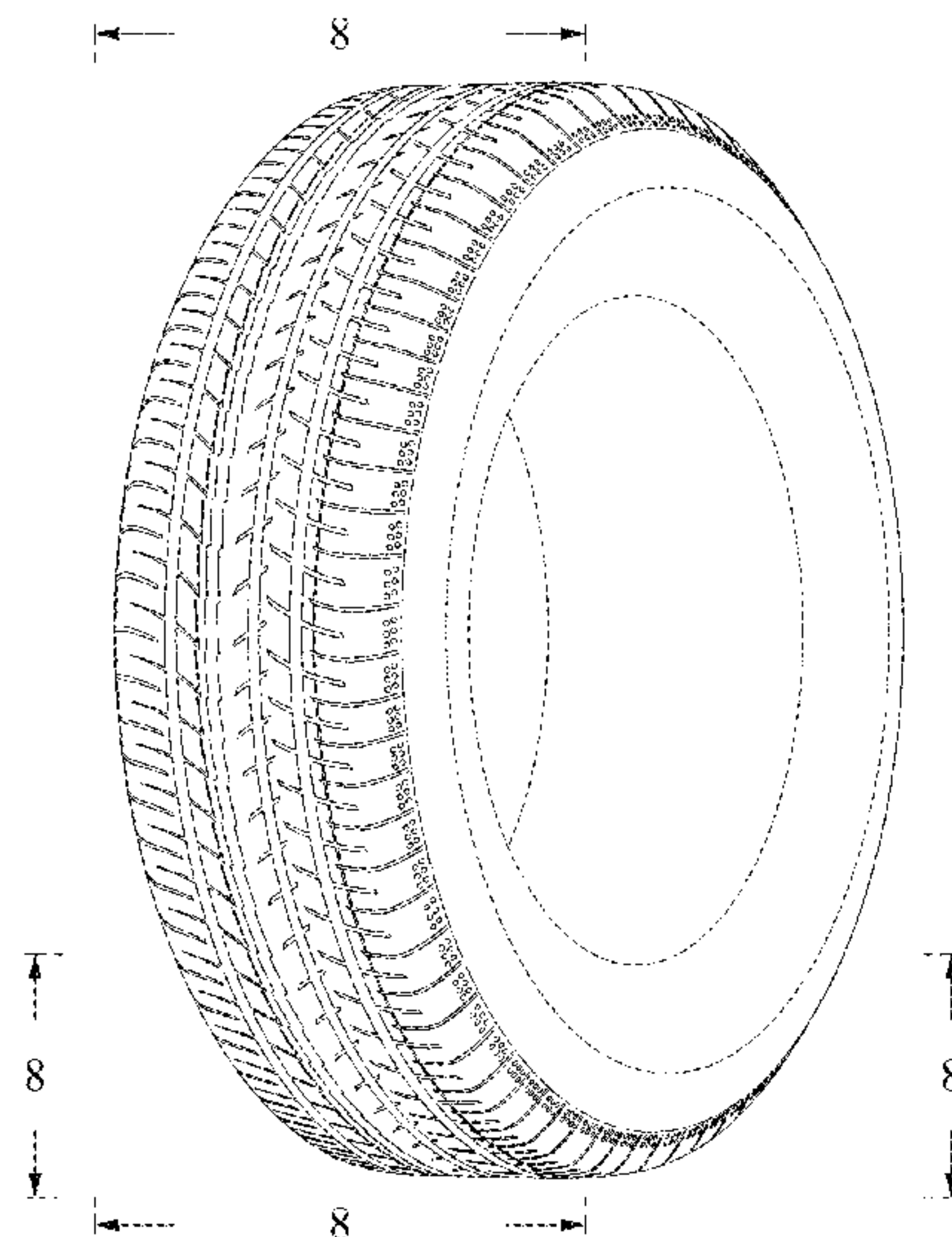
FIG. 8 is a partially enlarged view of a portion defined by lines 8-8 shown in FIG. 1;

FIG. 9 is a partially enlarged view of a portion defined by lines 9-9 shown in FIG. 2 and,

FIG. 10 is a cross sectional view of a portion defined by lines 10-10 shown in FIG. 9.

In the drawings, the broken lines depict environmental subject matter only and form no part of the claimed design. The dot and dashed lines represents a boundary between the claimed portion and the non-claimed portion.

1 Claim, 10 Drawing Sheets



(56)

References Cited

OTHER PUBLICATIONS

Yokohama Rubber Launches New Fuel-Efficient Global Standard Tire, Heavily Draws on Japanese Technologies, posted at Japanrubberweekly.com, posted on Mar. 8, 2017, site visited Jun. 20, 2017, <<https://www.japanrubberweekly.com/2017/03/yokohama-rubber-launches-new-fuel-efficient-global-standard-tire-heavily-draws-japanese-technologies/>>.*

* cited by examiner

FIG. 1

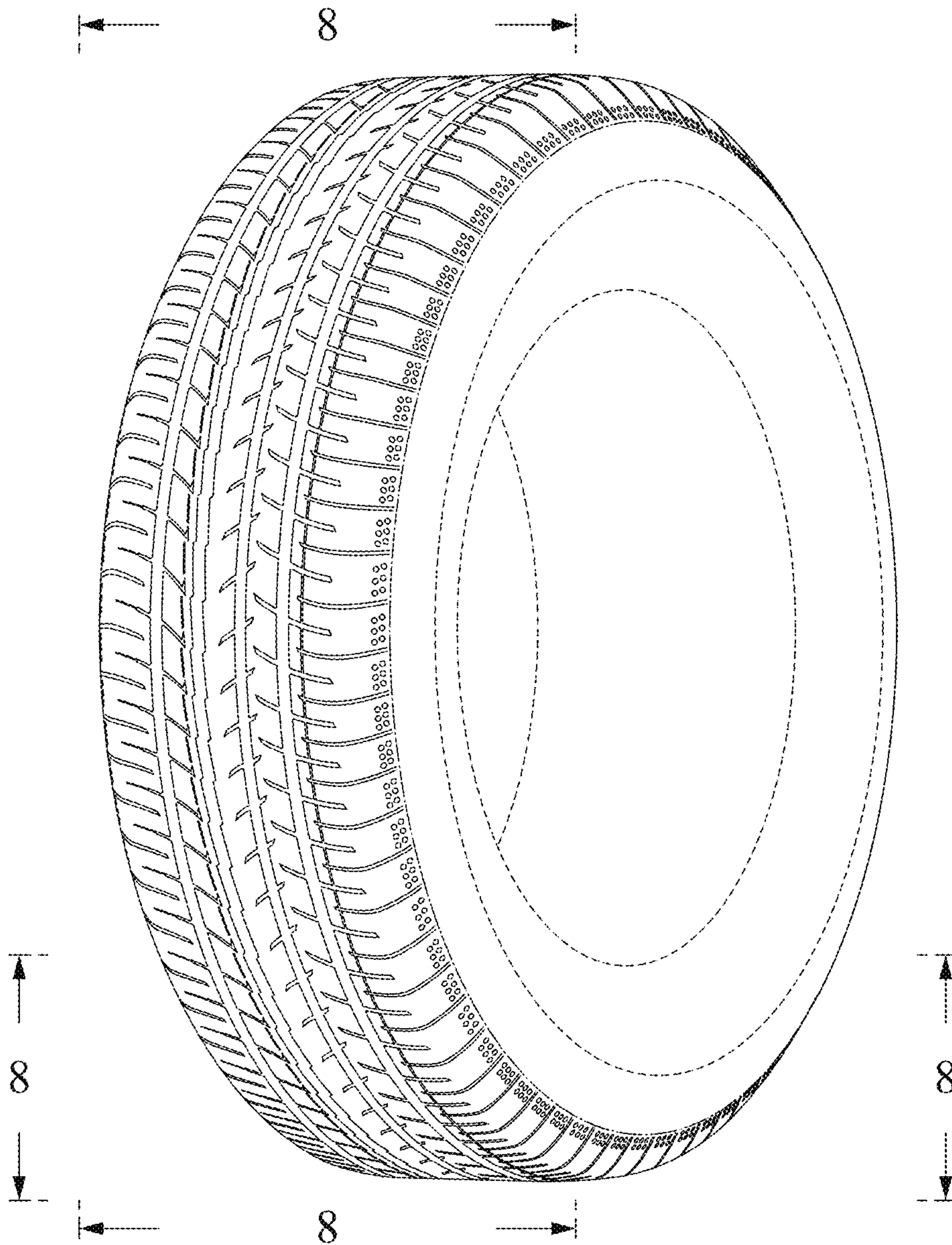


FIG. 2

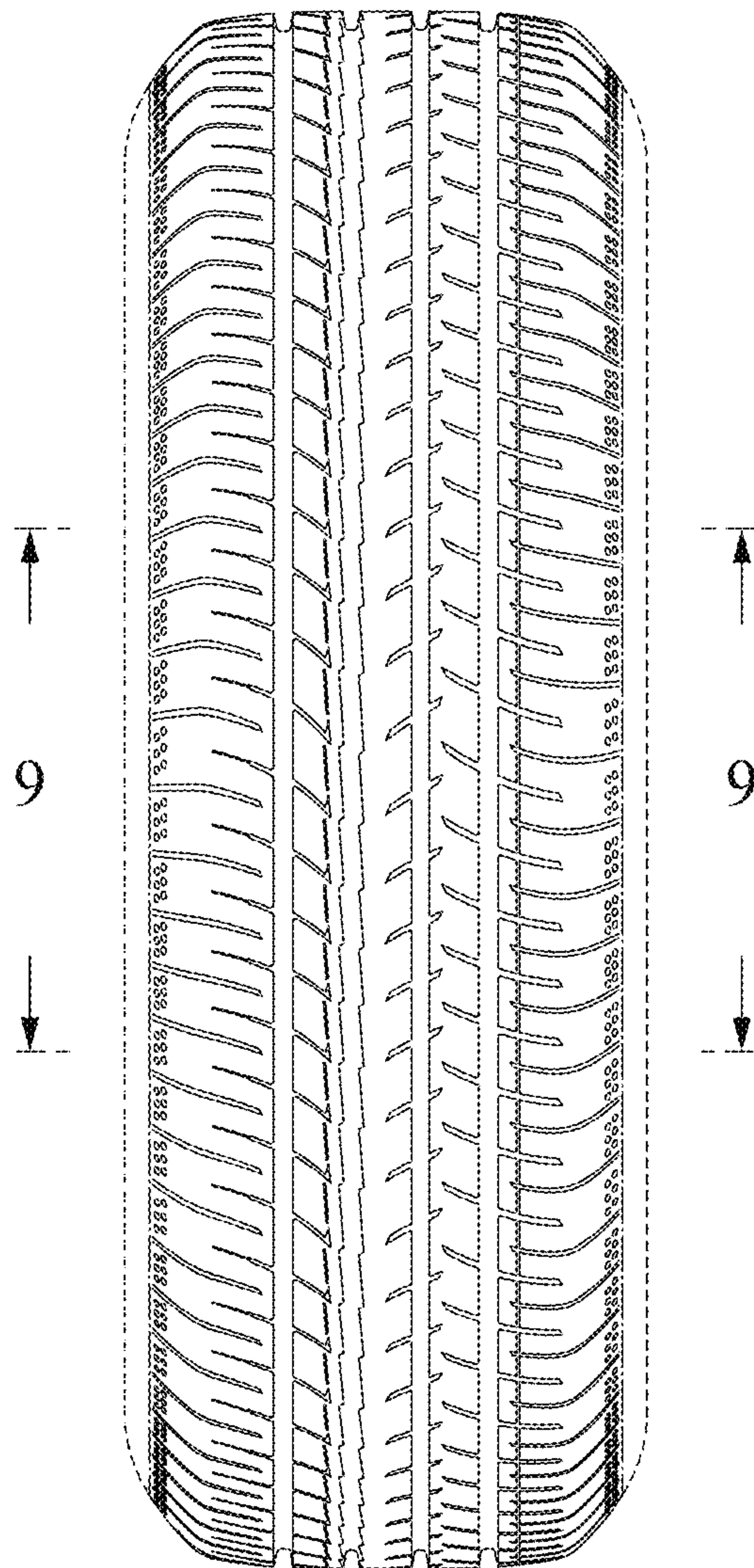


FIG. 3

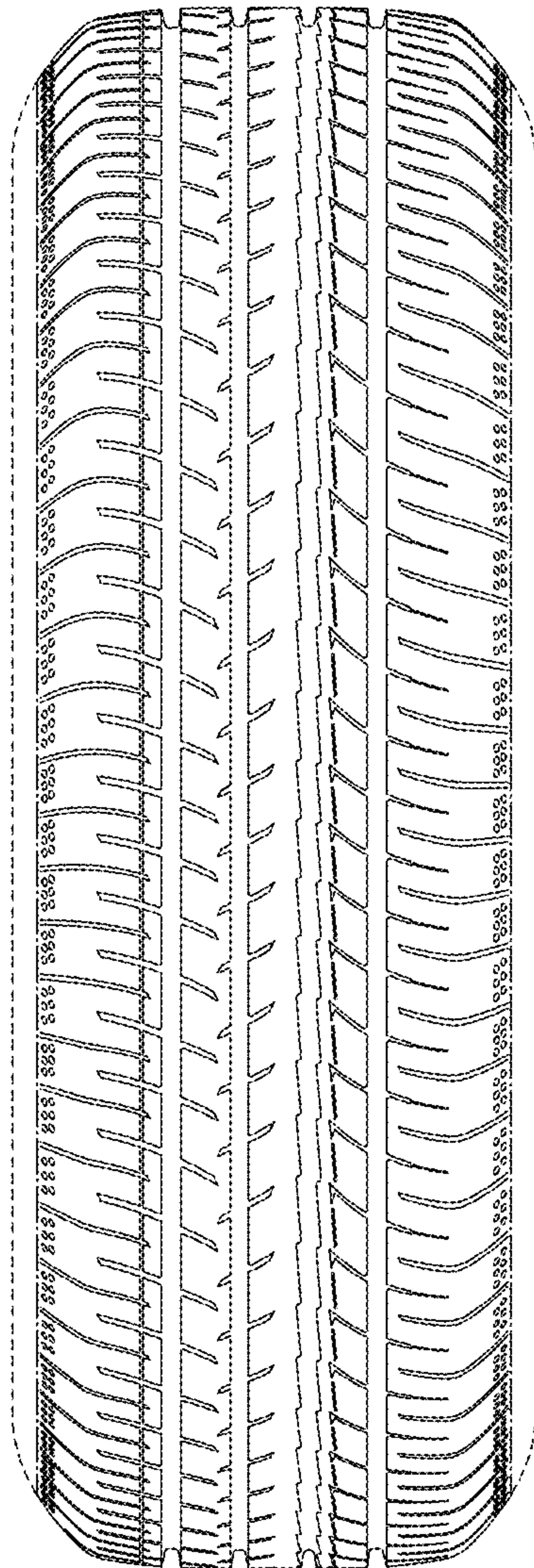


FIG. 4

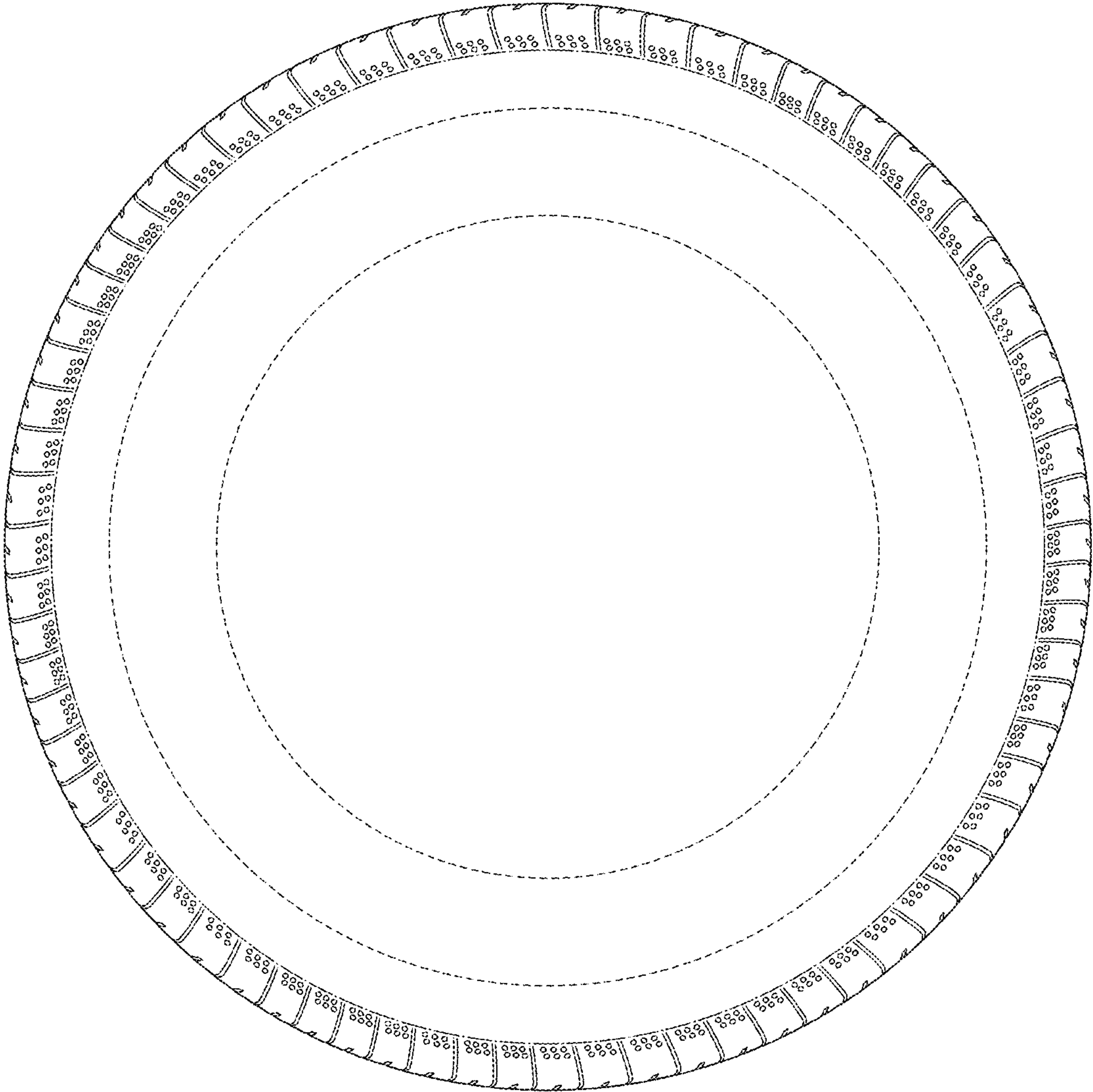


FIG. 5

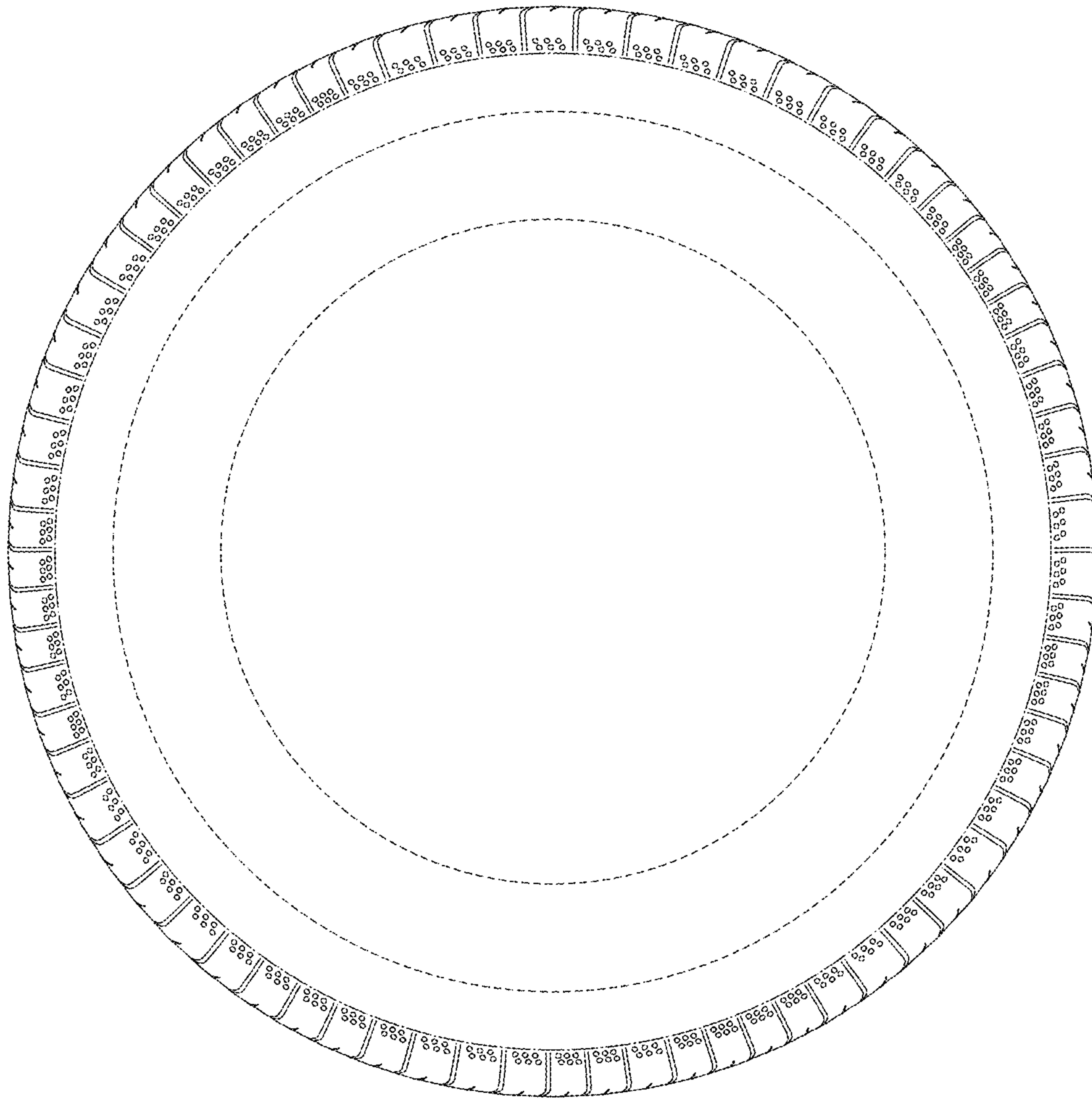


FIG. 6

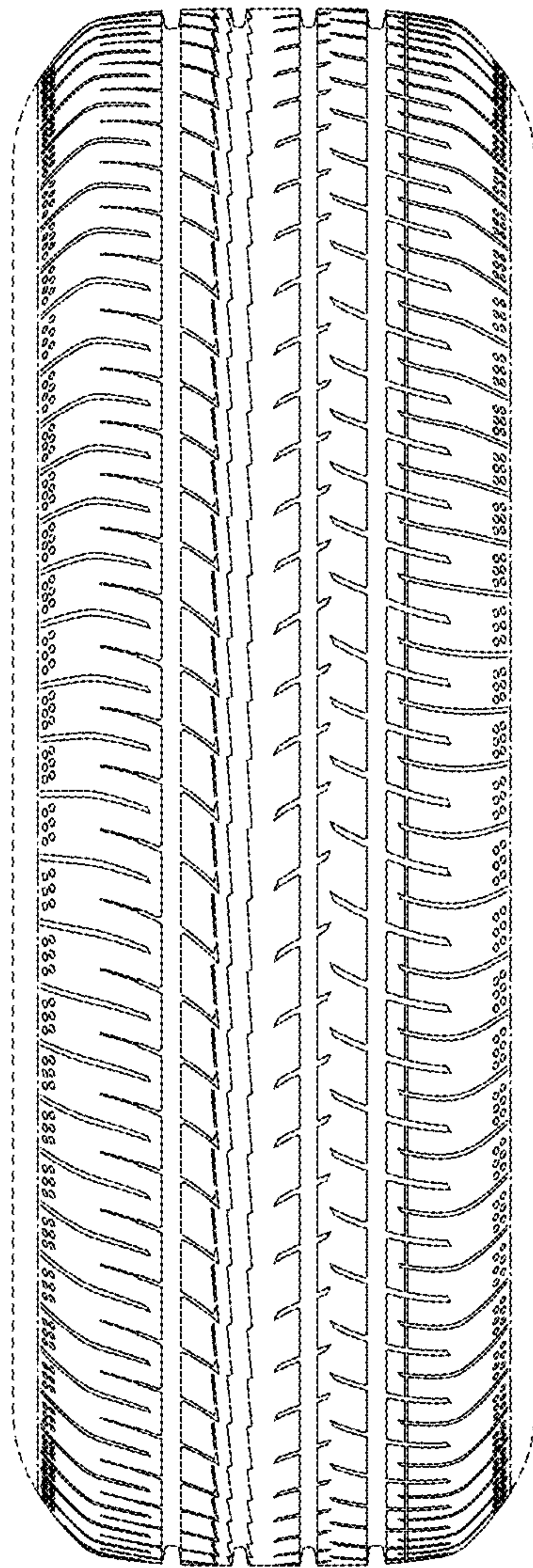


FIG. 7

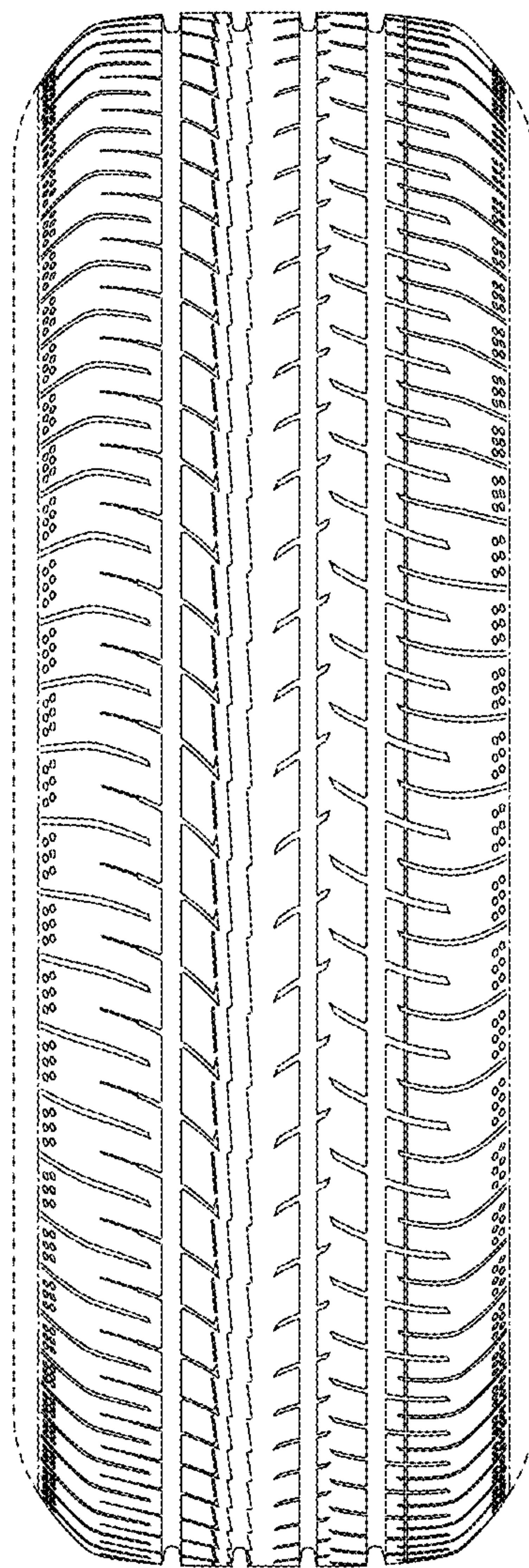


FIG. 8

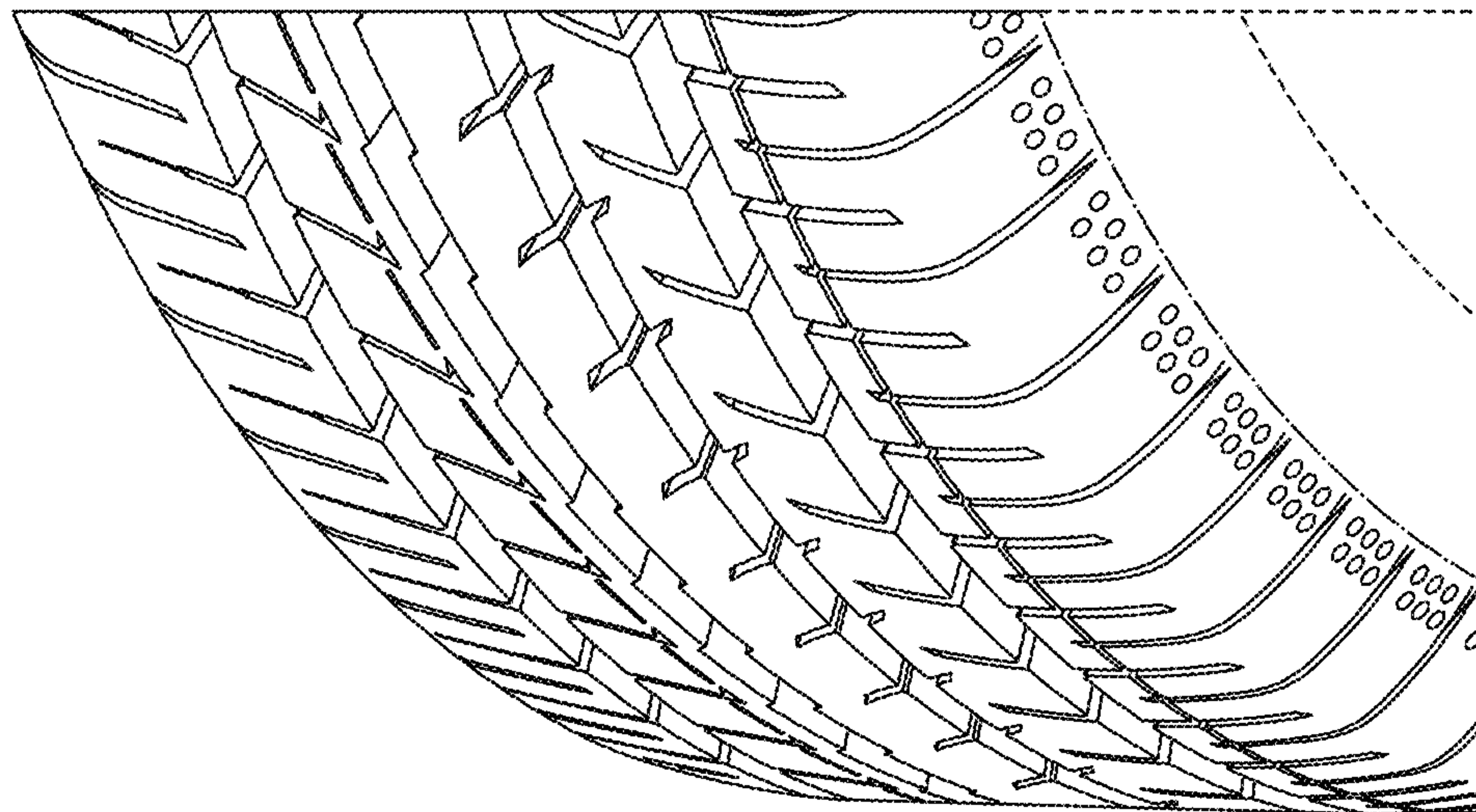


FIG. 9

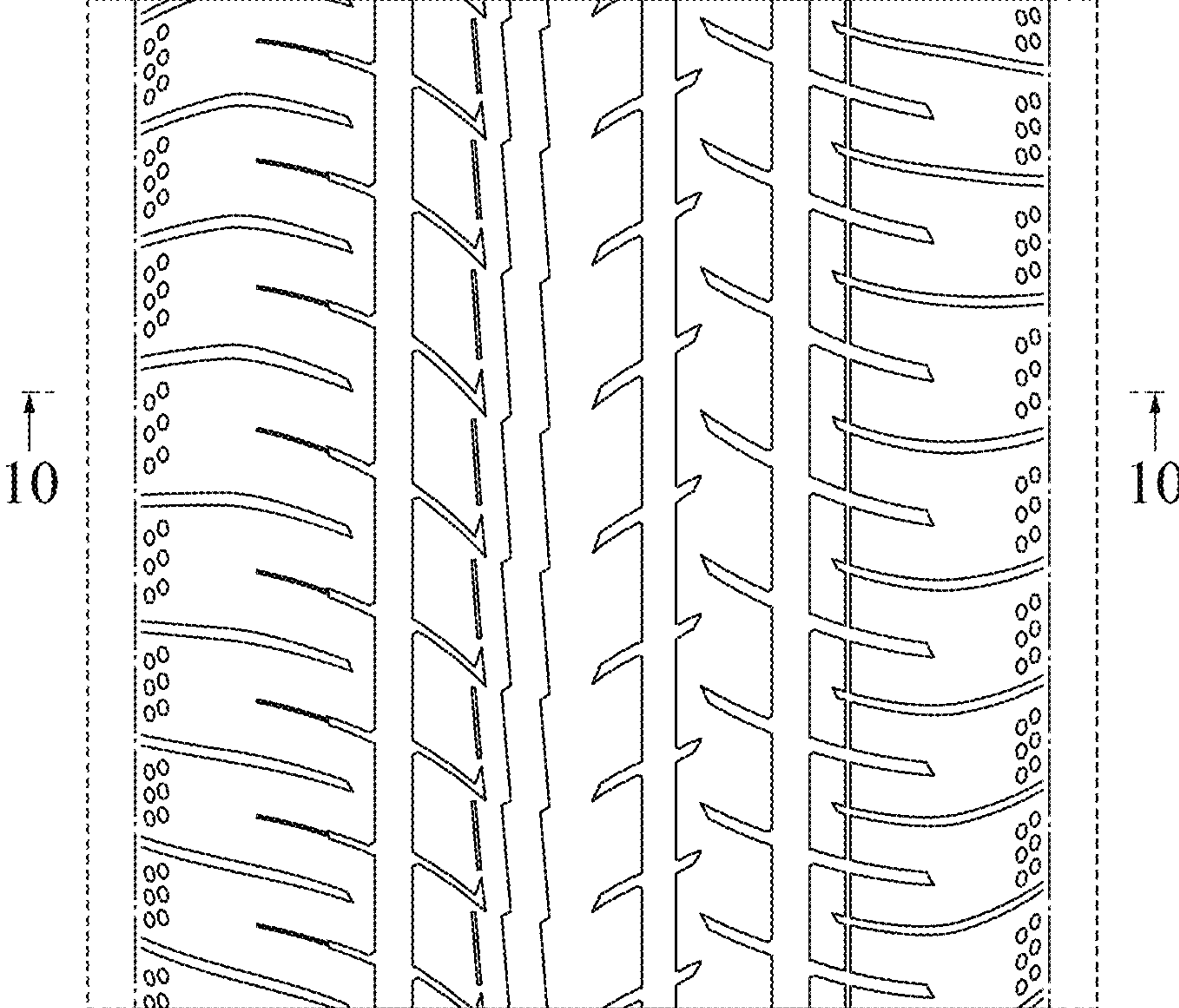


FIG. 10

