



US00D800633S

(12) **United States Design Patent**
Kong

(10) **Patent No.:** **US D800,633 S**

(45) **Date of Patent:** **** Oct. 24, 2017**

(54) **WHEEL**

(71) Applicant: **Wheel Pros, LLC**, Greenwood Village,
CO (US)

(72) Inventor: **Berky Kong**, Hong Kong (HK)

(**) Term: **15 Years**

(21) Appl. No.: **29/584,866**

(22) Filed: **Nov. 17, 2016**

(51) **LOC (10) Cl.** **12-16**

(52) **U.S. Cl.**
USPC **D12/211**

(58) **Field of Classification Search**
USPC D12/204–213
CPC B60B 7/00; B60B 7/02; B60B 7/04; B60B
7/01; B60B 7/06; B60B 3/02; B60B 3/04;
B60B 3/06; B60B 3/10; B60B 1/00;
B60B 1/08; B60B 1/10; B60B 1/12
See application file for complete search history.

(56) **References Cited**

U.S. PATENT DOCUMENTS

D464,009 S	*	10/2002	Laengerer	D12/211
D477,556 S	*	7/2003	Koch	D12/211
D508,007 S	*	8/2005	Koch	D12/211
D513,728 S	*	1/2006	Yazawa	D12/211
D538,726 S		3/2007	Wright		
D538,727 S		3/2007	Wright		
D567,166 S	*	4/2008	Bogani	D12/209
D583,290 S		12/2008	Wang		
D585,801 S		2/2009	Wang		

D622,197 S	*	8/2010	Zhao	D12/209
D627,697 S		11/2010	Wang		
D651,150 S		12/2011	Blewer		
D651,151 S		12/2011	Blewer		
D673,494 S	*	1/2013	Lemke	D12/209
D688,190 S	*	8/2013	Hodges	D12/211
D701,811 S	*	4/2014	Hale, Jr.	D12/211
D701,813 S	*	4/2014	Kern	D12/211
D717,711 S	*	11/2014	Kern	D12/211
D722,000 S	*	2/2015	Kern	D12/209
D726,089 S	*	4/2015	Hodges	D12/211
D737,189 S	*	8/2015	Claunch	D12/209
D739,329 S	*	9/2015	Watkin	D12/211
D756,877 S	*	5/2016	Huang	D12/209
D778,800 S	*	2/2017	Chung	D12/211
D781,205 S	*	3/2017	O'Neill	D12/211
D787,411 S	*	5/2017	Peat	D12/211
D789,866 S	*	6/2017	Giolito	D12/211

* cited by examiner

Primary Examiner — Stacia Cadmus

(74) *Attorney, Agent, or Firm* — Eric Hanscom

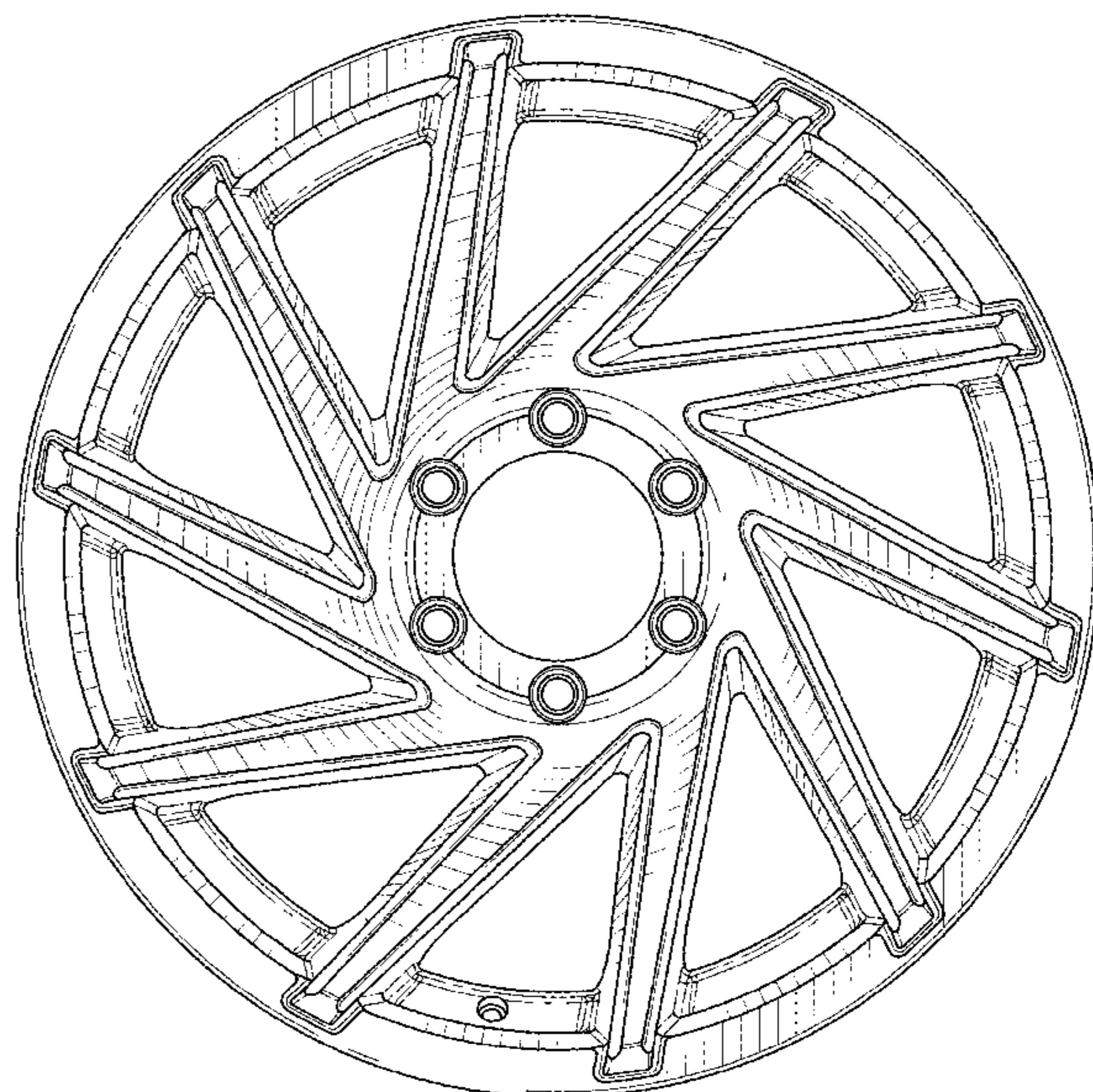
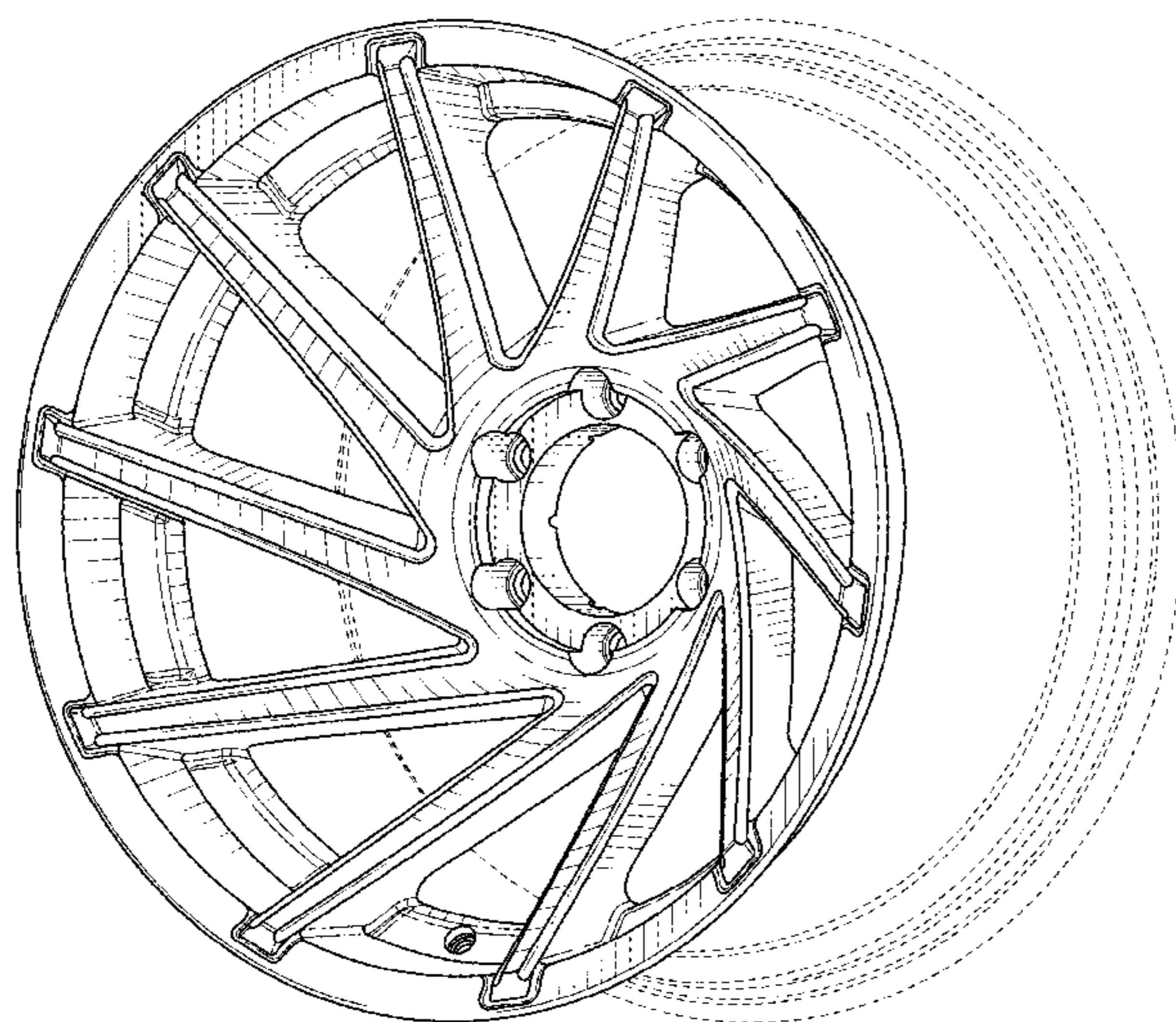
(57) **CLAIM**

The ornamental design for a wheel, as shown and described.

DESCRIPTION

FIG. 1 is a perspective view of a wheel showing my new design; and, FIG. 2 is a front view thereof. In the drawings, broken lines shown in the drawings depict environmental subject matter only and form no part of the claimed design.

1 Claim, 2 Drawing Sheets



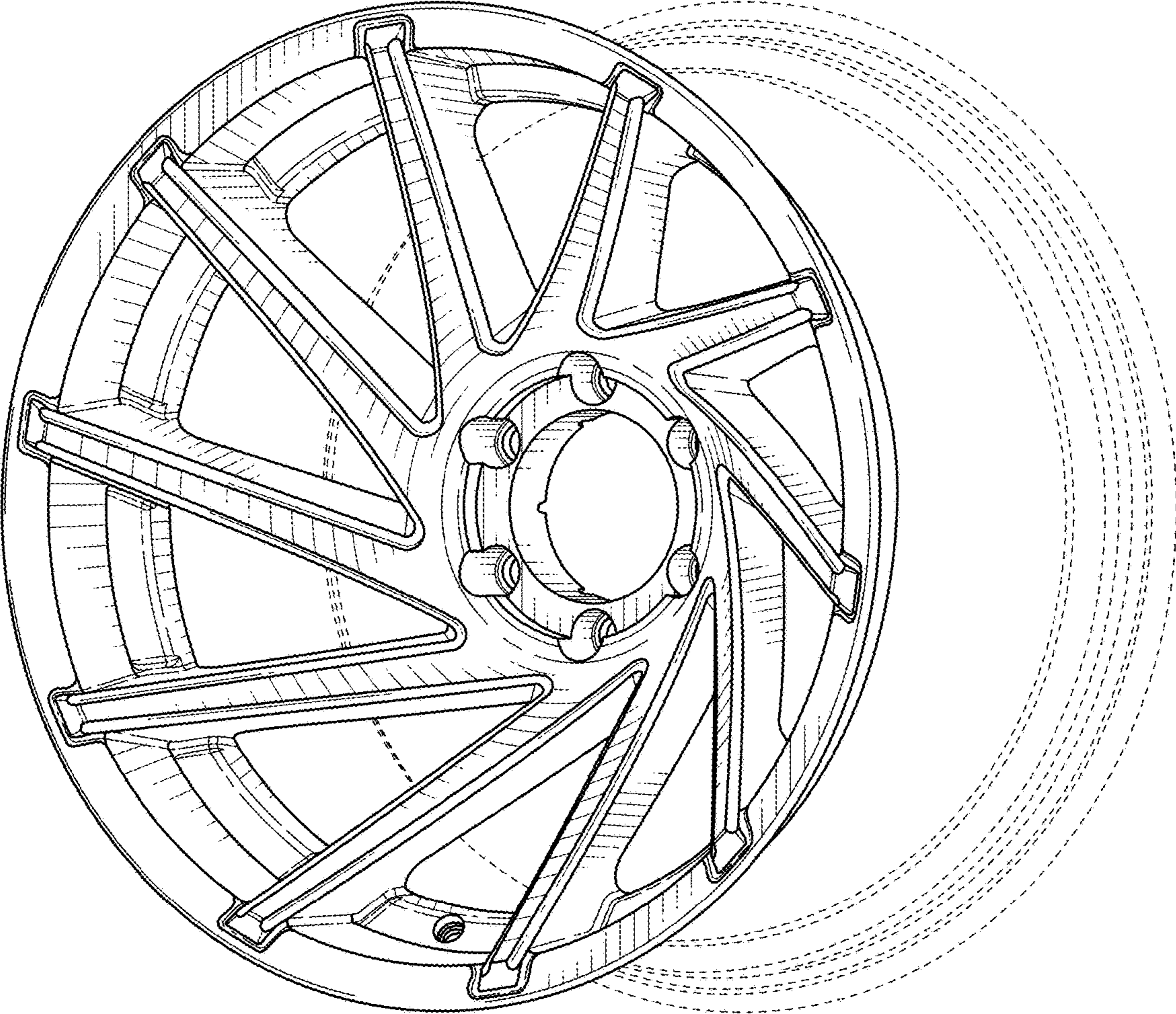


FIG. 1

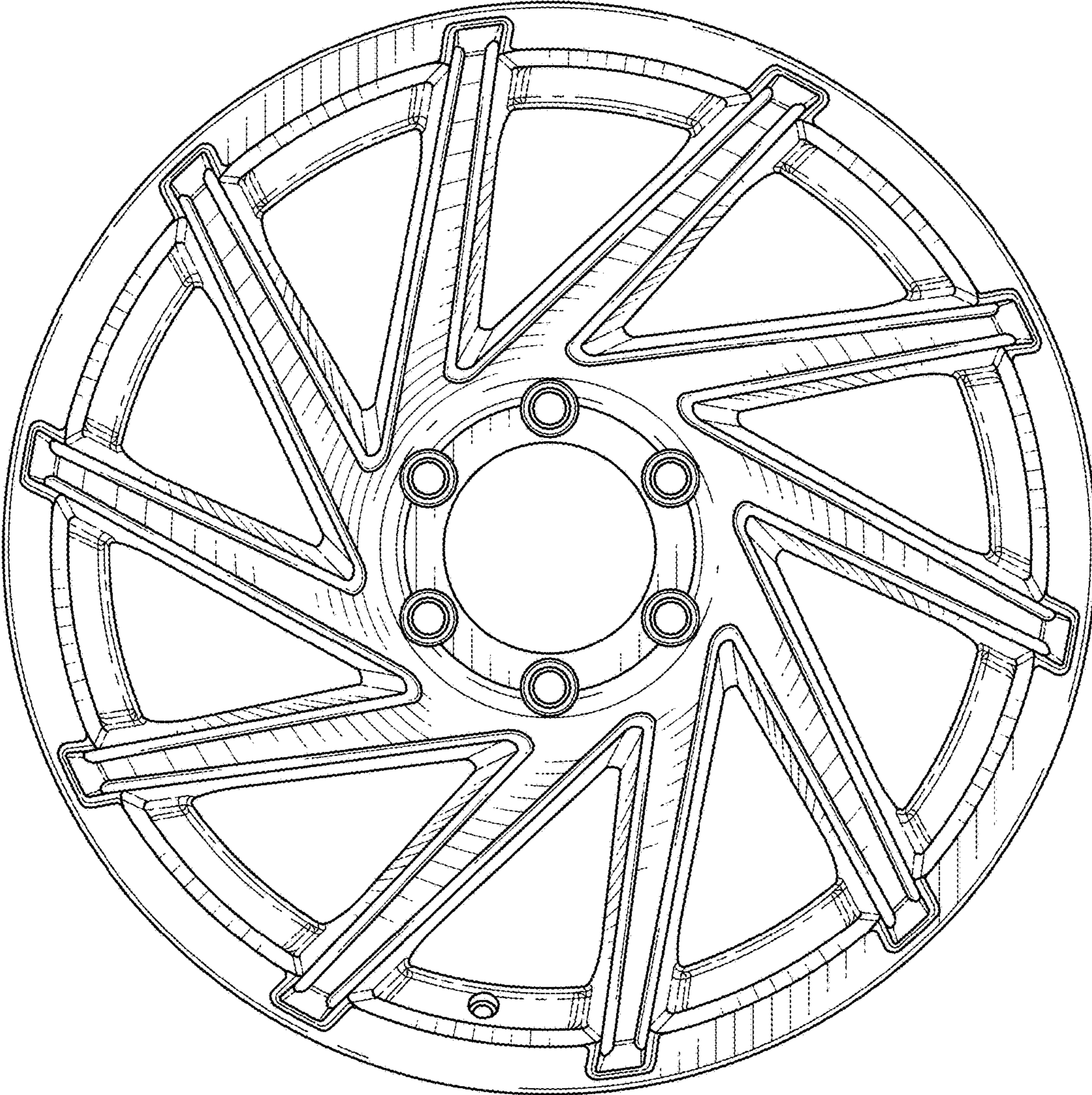


FIG. 2