



US00D800628S

(12) **United States Design Patent**  
**Tran**

(10) **Patent No.:** **US D800,628 S**

(45) **Date of Patent:** **\*\* Oct. 24, 2017**

(54) **WHEEL**

(71) Applicant: **Wheel Pros, LLC**, Greenwood Village, CO (US)

(72) Inventor: **Peter Tran**, Lake Hughes, CA (US)

(\*\*) Term: **15 Years**

(21) Appl. No.: **29/579,566**

(22) Filed: **Sep. 30, 2016**

(51) **LOC (10) Cl.** ..... **12-16**

(52) **U.S. Cl.**  
USPC ..... **D12/209**

(58) **Field of Classification Search**  
USPC ..... D12/204–213  
CPC .... B60B 7/00; B60B 7/02; B60B 7/04; B60B 7/01; B60B 7/06; B60B 3/02; B60B 3/04; B60B 3/06; B60B 3/10; B60B 1/00; B60B 1/08; B60B 1/10; B60B 1/12

See application file for complete search history.

(56) **References Cited**

**U.S. PATENT DOCUMENTS**

D273,102 S	3/1984	Woodward	
D291,796 S	9/1987	Reid	
D361,975 S	9/1995	Weld	
D368,884 S *	4/1996	Cole	D12/209
D391,216 S *	2/1998	Bollmann	D12/209
D392,930 S *	3/1998	Embrador	D12/209
D408,775 S	4/1999	Shikado	
D425,006 S *	5/2000	Harlessem	D12/209
D450,026 S *	11/2001	Donikoglu	D12/209
D453,492 S *	2/2002	Laengerer	D12/209
D453,724 S	2/2002	Hodges	
D455,692 S *	4/2002	Iguchi	D12/209
D455,698 S	4/2002	Chung	
D464,010 S	10/2002	Chung	
D467,212 S	12/2002	Noriega	

D470,812 S *	2/2003	Chu	D12/211
D478,542 S	8/2003	Sulahian	
D482,996 S	12/2003	Sulahian	
D486,110 S *	2/2004	Elmitt	D12/211
D492,925 S	7/2004	Fitzgerald	
D496,317 S	9/2004	Kataoka	
D501,440 S *	2/2005	Pfeiffer	D12/211
D522,429 S *	6/2006	Ishiwata	D12/209
D524,219 S *	7/2006	Scheu	D12/211
D569,777 S	5/2008	Chung	
D576,936 S	9/2008	Imai	
D578,457 S	10/2008	Guidry	
D580,335 S *	11/2008	Choi	D12/211
D598,357 S	8/2009	Chung	
D614,109 S *	4/2010	Tant	D12/211
D614,111 S *	4/2010	Tant	D12/211
D620,421 S *	7/2010	Lamm	D12/209
D620,864 S	8/2010	Groom	
D638,767 S	5/2011	Groom	
D668,196 S *	10/2012	Tant	D12/209
D669,009 S	10/2012	Chung	
D680,938 S	4/2013	Hale	
D688,195 S *	8/2013	Robinson	D12/409
D695,193 S	12/2013	Kong	
D698,298 S	1/2014	Cortes	
D698,300 S	1/2014	Chung	

(Continued)

*Primary Examiner* — Stacia Cadmus

(74) *Attorney, Agent, or Firm* — Eric Hanscom

(57) **CLAIM**

The ornamental design for a wheel, as shown and described.

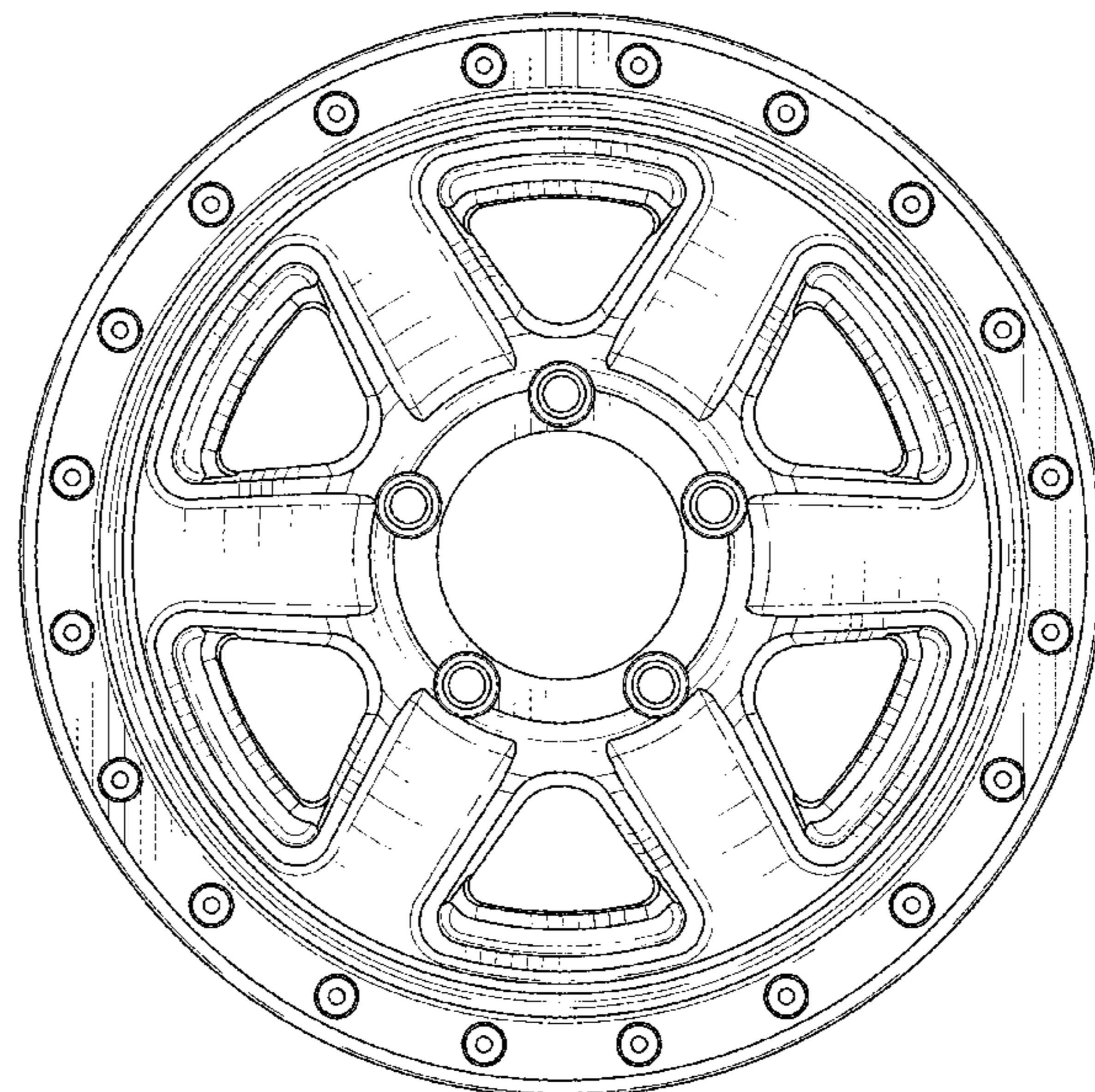
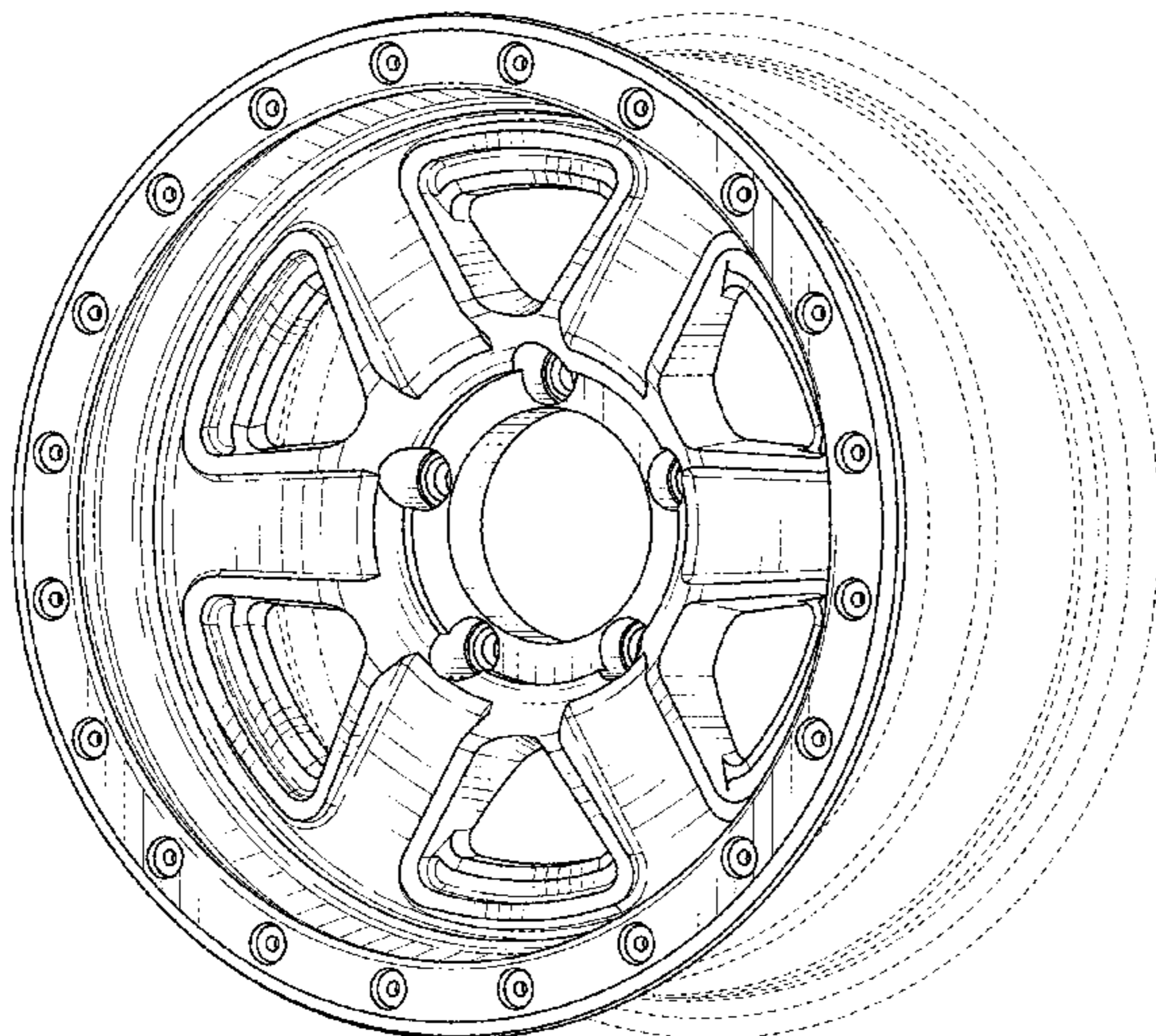
**DESCRIPTION**

FIG. 1 is a perspective view of a wheel showing my new design; and,

FIG. 2 is a front view thereof.

In the drawings, broken lines shown in the drawings depict environmental subject matter only and form no part of the claimed design.

**1 Claim, 2 Drawing Sheets**



(56)

**References Cited**

U.S. PATENT DOCUMENTS

D706,695 S *	6/2014	Platto .....	D12/209
D706,699 S *	6/2014	Platto .....	D12/211
D708,108 S *	7/2014	Wheel .....	D12/209
D708,111 S *	7/2014	Platto .....	D12/211
D711,304 S	8/2014	Chung	
D715,211 S	10/2014	Gotschke	
D719,889 S *	12/2014	Hodges .....	D12/209
D723,994 S *	3/2015	Chung .....	D12/211
D726,628 S	4/2015	Kong	
D736,132 S *	8/2015	Platto .....	D12/209
D782,950 S *	4/2017	Hatton .....	D12/209

\* cited by examiner

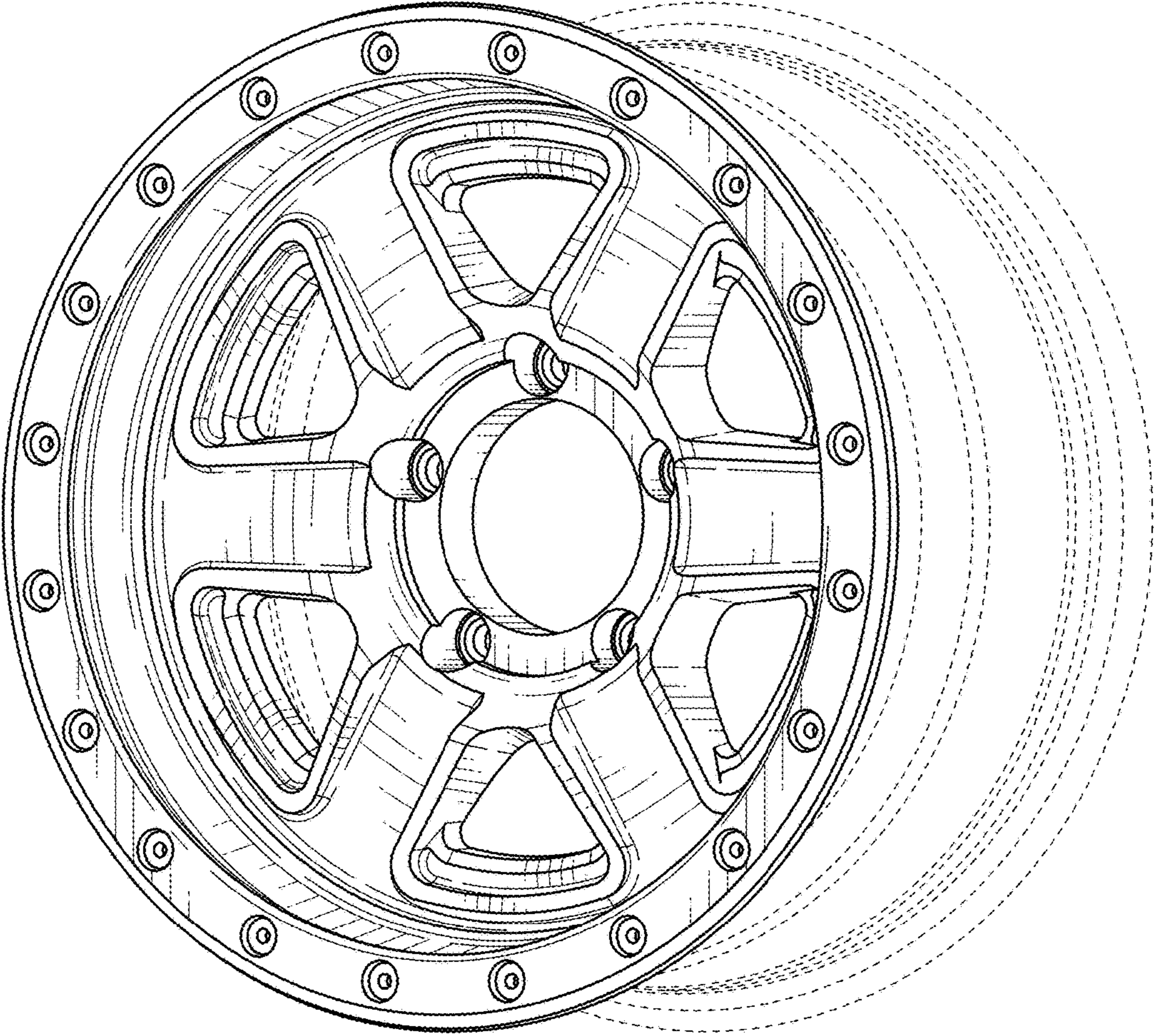


FIG. 1

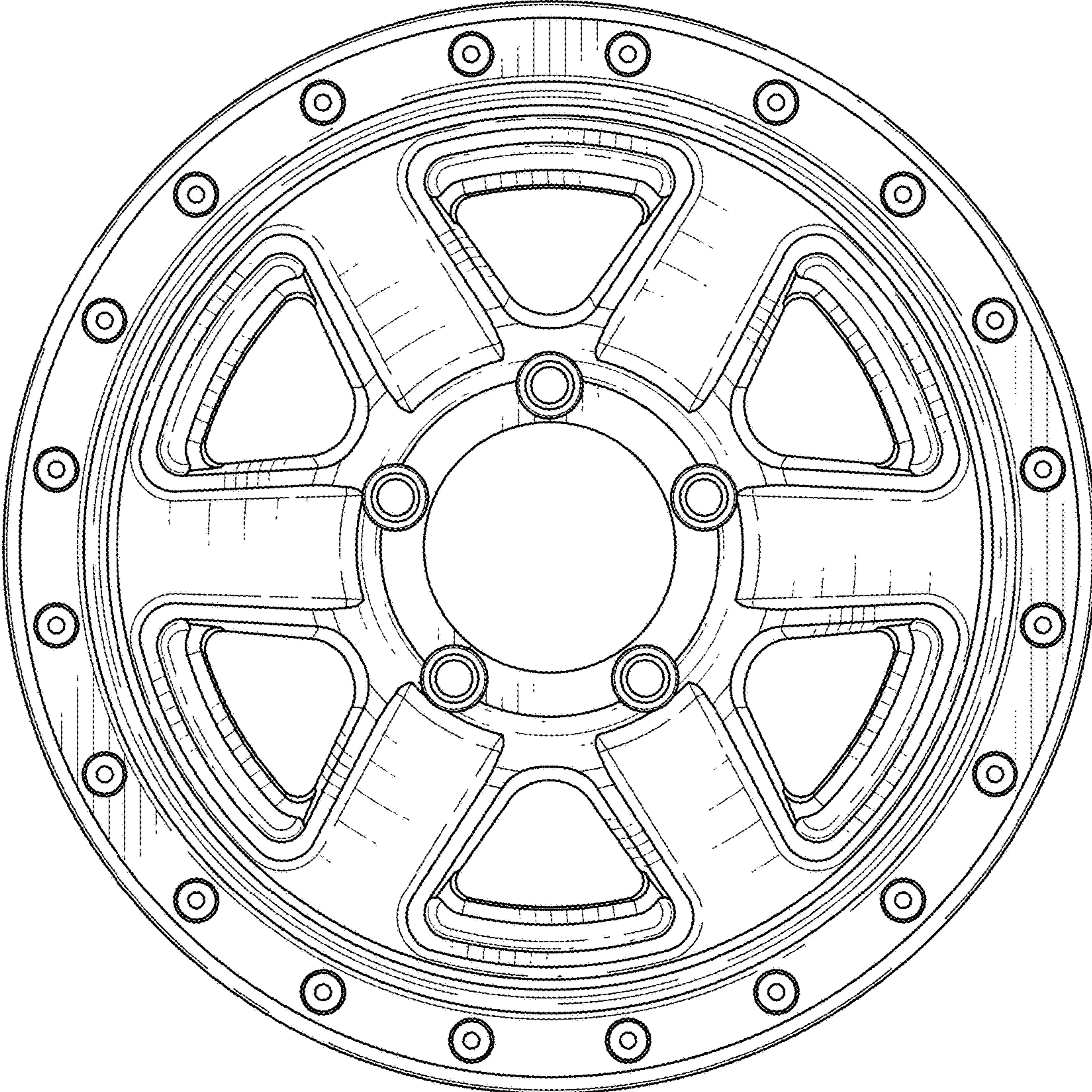


FIG. 2