



US00D800626S

(12) **United States Design Patent**  
**Sempek**

(10) **Patent No.:** **US D800,626 S**

(45) **Date of Patent:** **\*\* Oct. 24, 2017**

(54) **WHEEL RIM**

(71) Applicant: **Allied Wheel Components**, Garden Grove, CA (US)

(72) Inventor: **Christopher Sean Sempek**, Long Beach, CA (US)

(73) Assignee: **ALLIED WHEEL COMPONENTS**, Garden Grove, CA (US)

(\*\*) Term: **15 Years**

(21) Appl. No.: **29/556,262**

(22) Filed: **Feb. 29, 2016**

(51) **LOC (10) Cl.** ..... **12-16**

(52) **U.S. Cl.**  
USPC ..... **D12/209**

(58) **Field of Classification Search**  
USPC ..... D12/204–213  
CPC .... B60B 7/00; B60B 7/02; B60B 7/04; B60B 7/01; B60B 7/06; B60B 3/02; B60B 3/04; B60B 3/06; B60B 3/10; B60B 1/00; B60B 1/08; B60B 1/10; B60B 1/12  
See application file for complete search history.

(56) **References Cited**

**U.S. PATENT DOCUMENTS**

D58,279 S	*	6/1921	West	.....	D12/211
D504,101 S	*	4/2005	Pfeiffer	.....	D12/211
D543,922 S	*	6/2007	Young	.....	D12/209
D639,222 S		6/2011	Johnson		
D660,220 S	*	5/2012	Chan	.....	D12/211
D691,542 S	*	10/2013	Chan	.....	D12/209

D702,173 S	*	4/2014	Perini	.....	D12/211
D706,196 S	*	6/2014	Lee	.....	D12/211
D715,722 S	*	10/2014	Johnson	.....	D12/211
D717,224 S	*	11/2014	Kim	.....	D12/211
D720,271 S	*	12/2014	Mielke	.....	D12/209
D722,937 S	*	2/2015	Johnson	.....	D12/209
D724,515 S	*	3/2015	Chung	.....	D12/209
D751,481 S	*	3/2016	Chung	.....	D12/209
D751,966 S	*	3/2016	Zhao	.....	D12/211
D780,662 S	*	3/2017	Zhao	.....	D12/211
D791,051 S	*	7/2017	Johnson	.....	D12/211

**OTHER PUBLICATIONS**

Raceline Wheels Catalog, Apr. 8, 2015, vol. 22.

\* cited by examiner

*Primary Examiner* — Stacia Cadmus

(74) *Attorney, Agent, or Firm* — Joseph A. Andelin; Fish IP Law, LLC

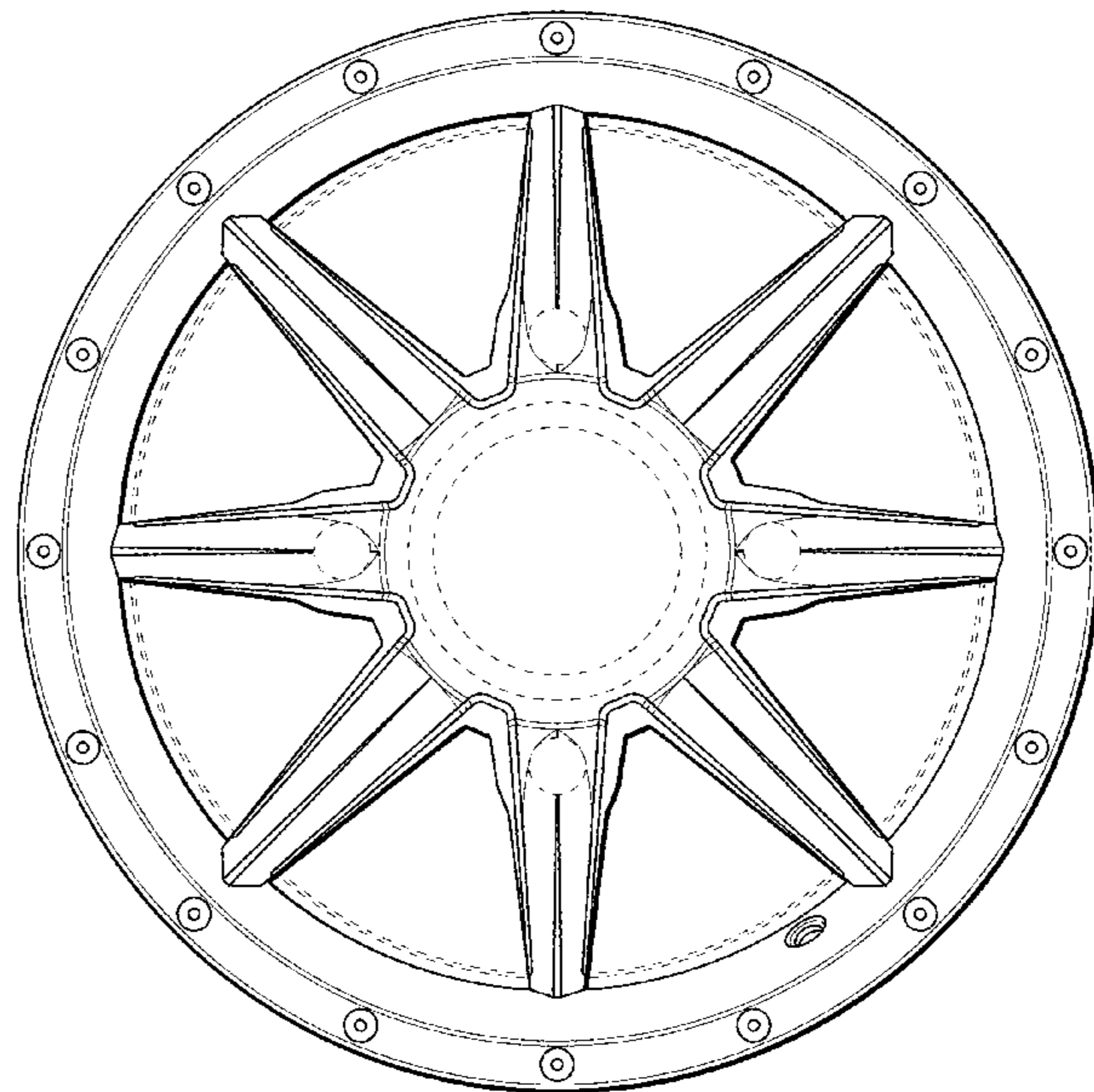
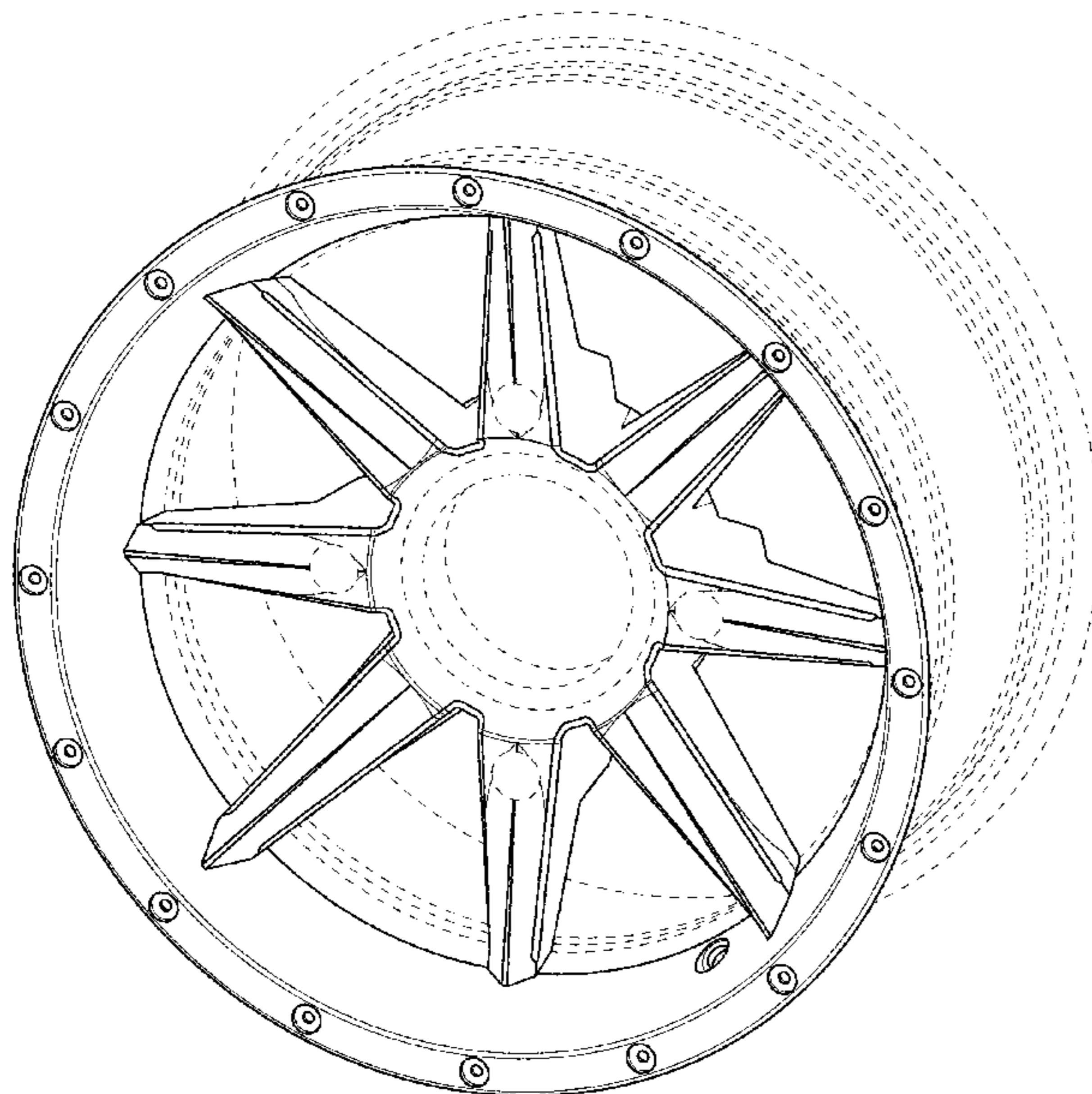
(57) **CLAIM**

I claim the ornamental design for a wheel rim, as shown and described.

**DESCRIPTION**

FIG. 1 is a top, front, right side perspective view of a wheel rim of the new design; and, FIG. 2 is a front elevation view thereof. In the drawings, the broken lines depict environmental subject matter only and form no part of the claimed design.

**1 Claim, 2 Drawing Sheets**



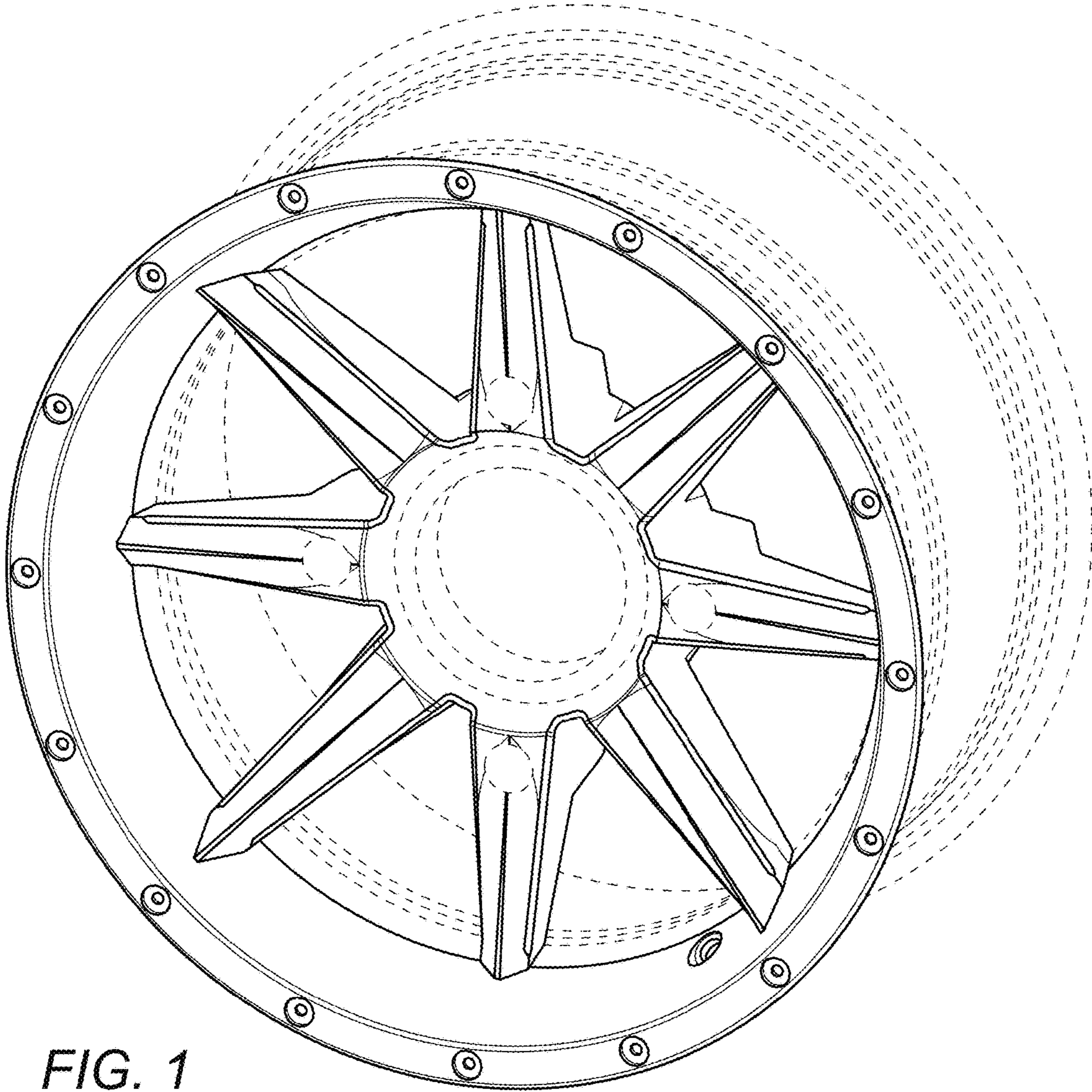


FIG. 1

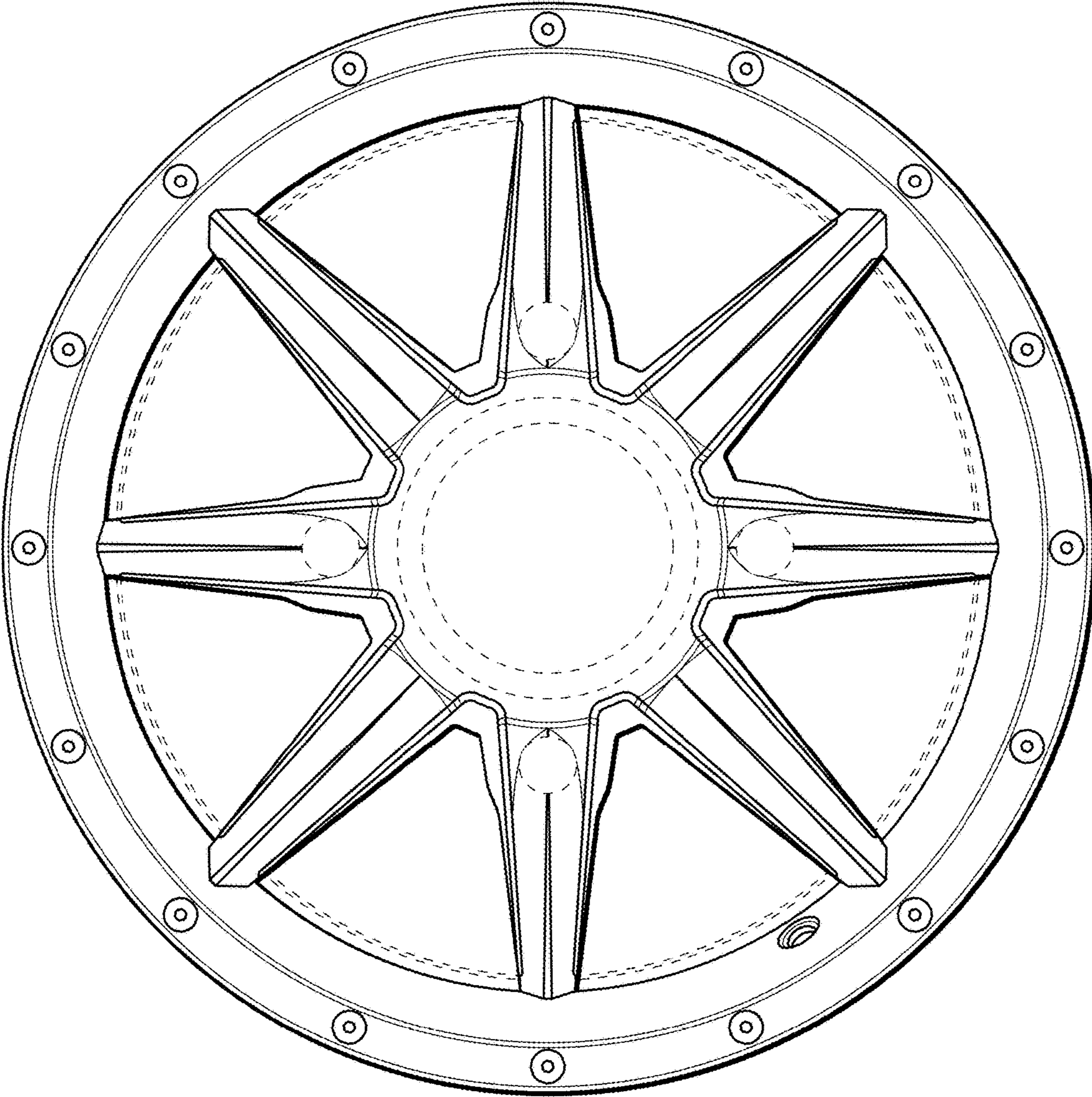


FIG. 2