



US00D800617S

(12) **United States Design Patent** (10) **Patent No.:** **US D800,617 S**  
**Jang** (45) **Date of Patent:** **\*\* Oct. 24, 2017**

(54) **FRONT BUMPER OF CAR**  
(71) Applicant: **GM GLOBAL TECHNOLOGY OPERATIONS LLC**, Detroit, MI (US)  
(72) Inventor: **Donghyun Jang**, Seoul (KR)  
(73) Assignee: **GM GLOBAL TECHNOLOGY OPERATIONS LLC**, Detroit, MI (US)  
(\*\*) Term: **15 Years**

D699,165 S \* 2/2014 Rupar ..... D12/169  
D711,796 S \* 8/2014 Futschik ..... D12/169  
D744,914 S \* 12/2015 Loeb ..... D12/169  
D751,954 S \* 3/2016 Choey ..... D12/169  
D770,950 S \* 11/2016 Bucher ..... D12/169  
D770,951 S \* 11/2016 Park ..... D12/169  
D771,532 S \* 11/2016 Kapitonov ..... D12/169  
D773,349 S \* 12/2016 Munakata ..... D12/169  
D775,560 S \* 1/2017 Choi ..... D12/169  
D783,473 S \* 4/2017 Lee ..... D12/169  
D787,990 S \* 5/2017 Kozub ..... D12/169  
D787,991 S \* 5/2017 Lee ..... D12/169

\* cited by examiner

(21) Appl. No.: **29/572,497**  
(22) Filed: **Jul. 28, 2016**

*Primary Examiner* — Melody N Brown  
(74) *Attorney, Agent, or Firm* — Browdy and Neimark, PLLC

(30) **Foreign Application Priority Data**  
Feb. 12, 2016 (KR) ..... 30-2016-0006603

(51) **LOC (10) Cl.** ..... **12-16**  
(52) **U.S. Cl.**  
USPC ..... **D12/169**

(57) **CLAIM**  
The ornamental design for a front bumper of car, as shown and described.

(58) **Field of Classification Search**  
USPC .... D12/169, 216, 90-92, 86, 171, 196, 163;  
293/102, 113, 115, 117, 120; 296/180.1,  
296/180.2  
CPC ..... B60R 19/02; B60R 19/04; B62D 25/08  
See application file for complete search history.

**DESCRIPTION**

FIG. 1 is a perspective view of a front bumper of car showing my new design;  
FIG. 2 is a front elevation view thereof;  
FIG. 3 is a rear elevation view thereof;  
FIG. 4 is a left side elevation view thereof;  
FIG. 5 is a right side elevation view thereof;  
FIG. 6 is a top plan view thereof; and,  
FIG. 7 is a bottom plan view thereof.

(56) **References Cited**  
U.S. PATENT DOCUMENTS  
D680,472 S \* 4/2013 Kido ..... D12/163  
D686,546 S \* 7/2013 Fetherston ..... D12/169

**1 Claim, 4 Drawing Sheets**

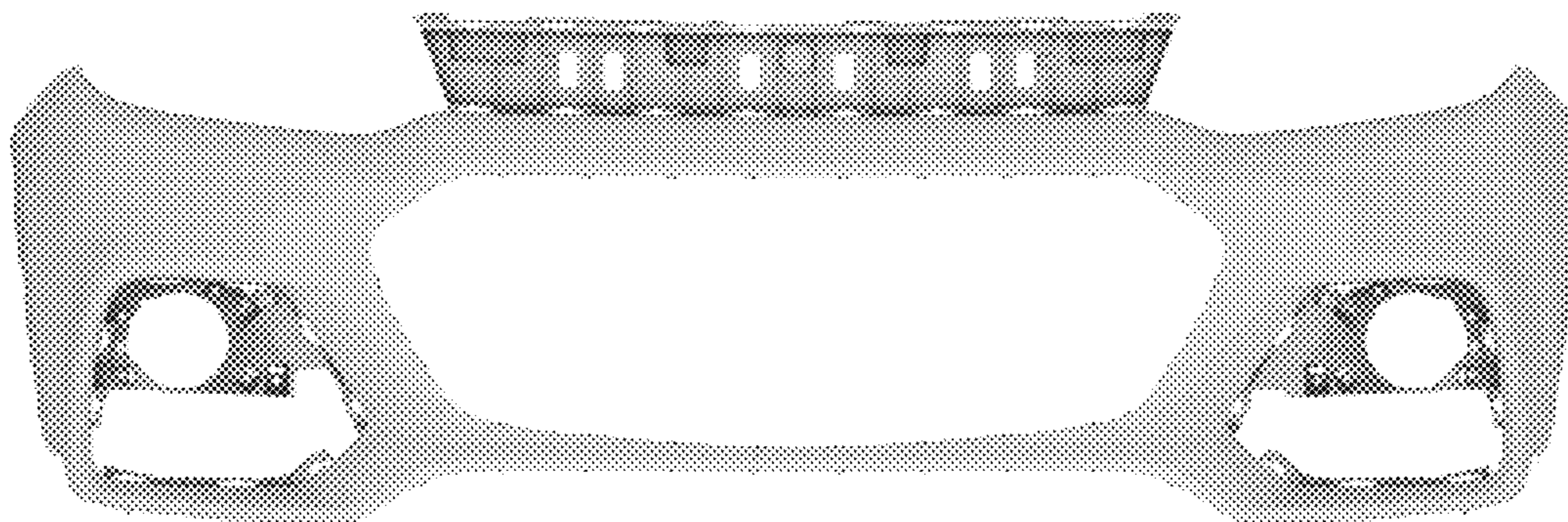


Fig. 1

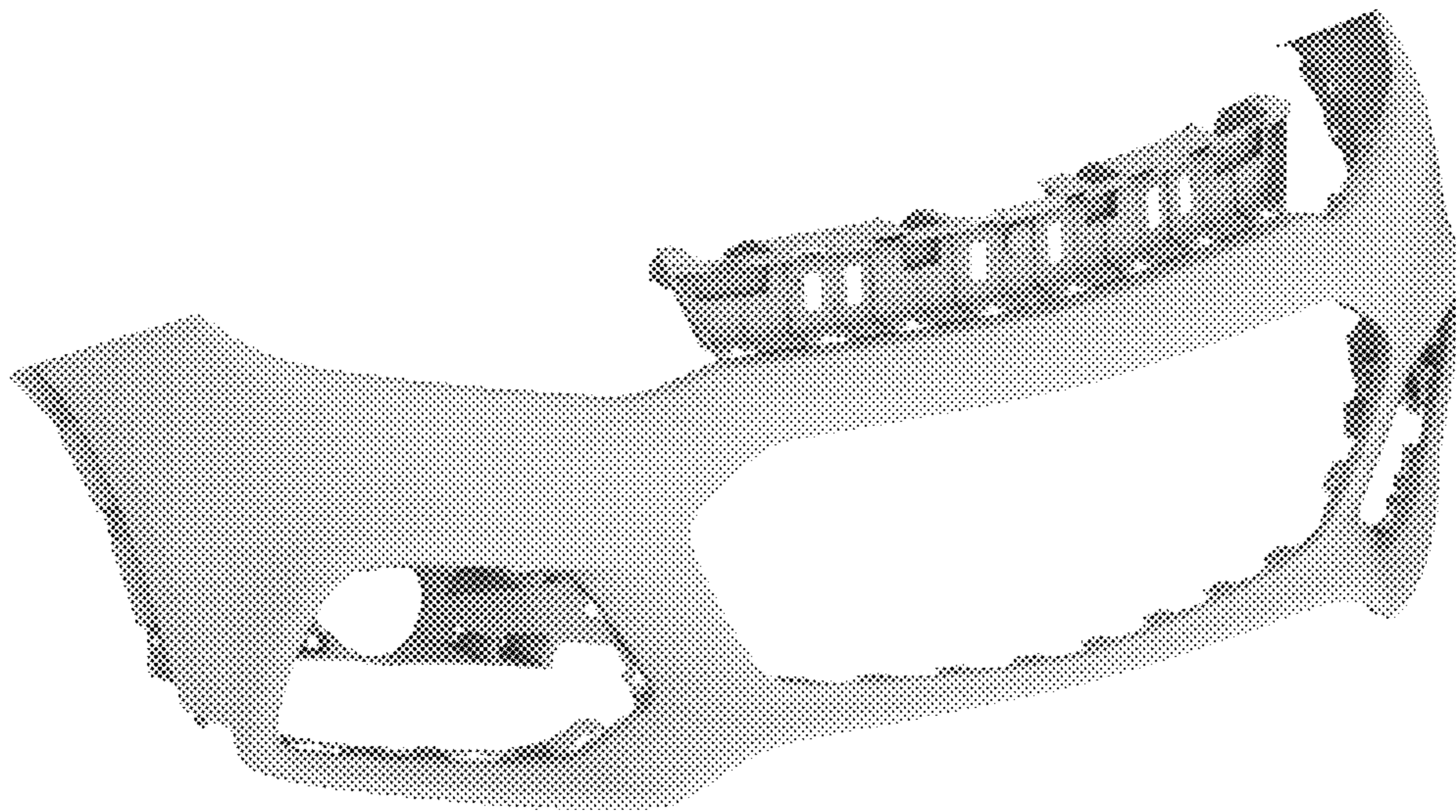


Fig. 2

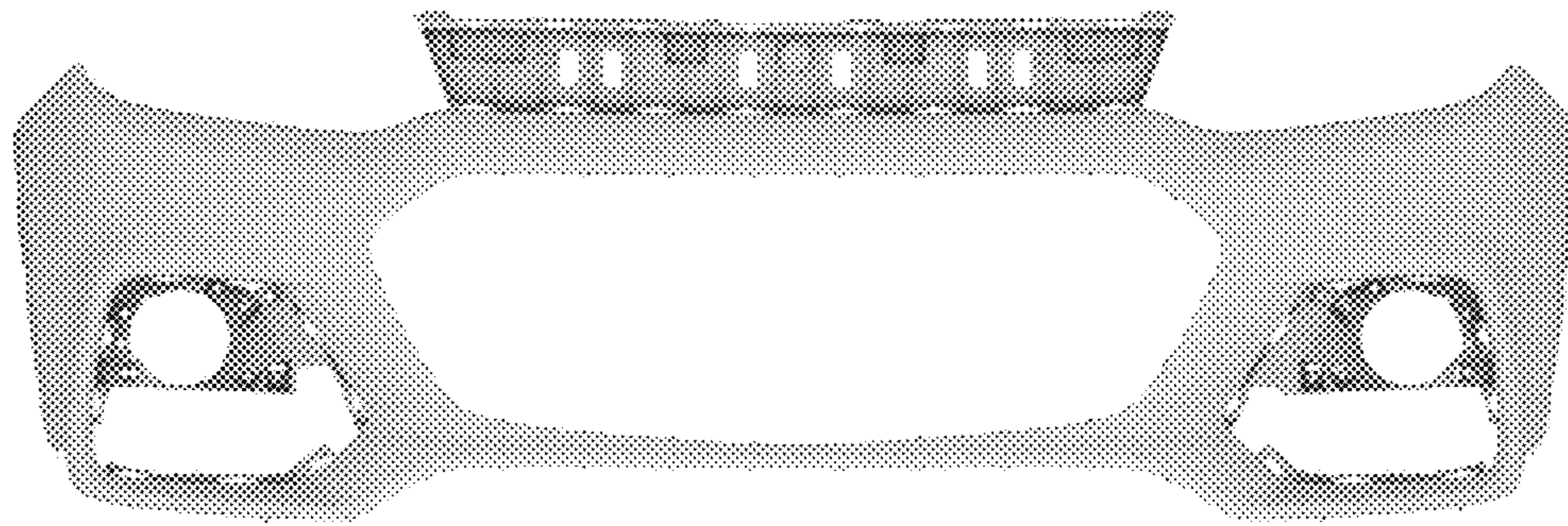


Fig. 3

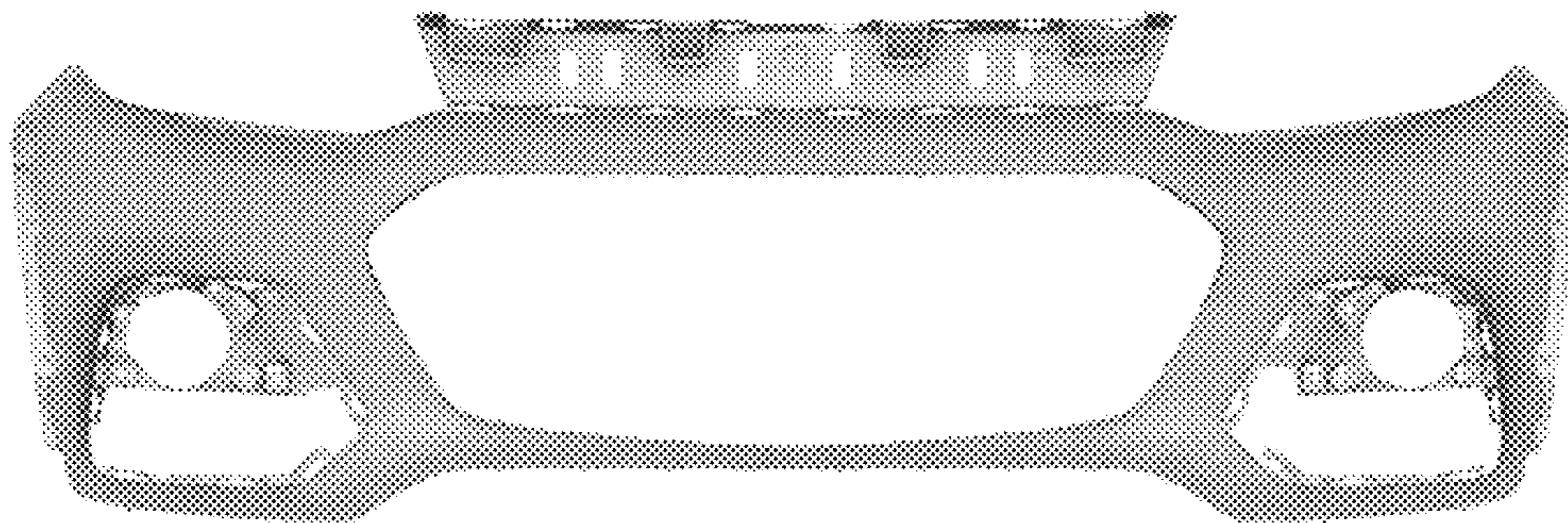


Fig. 4

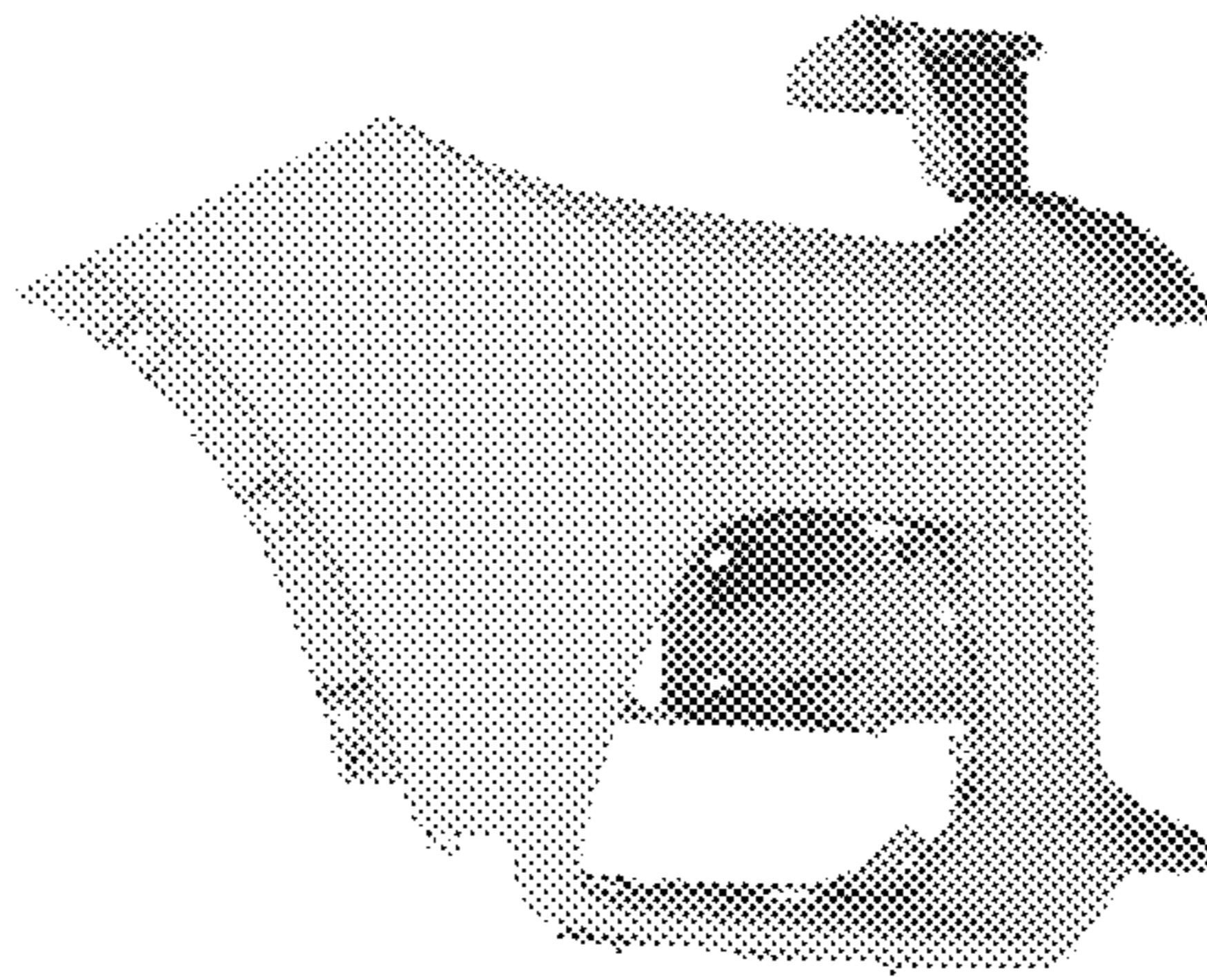


Fig. 5

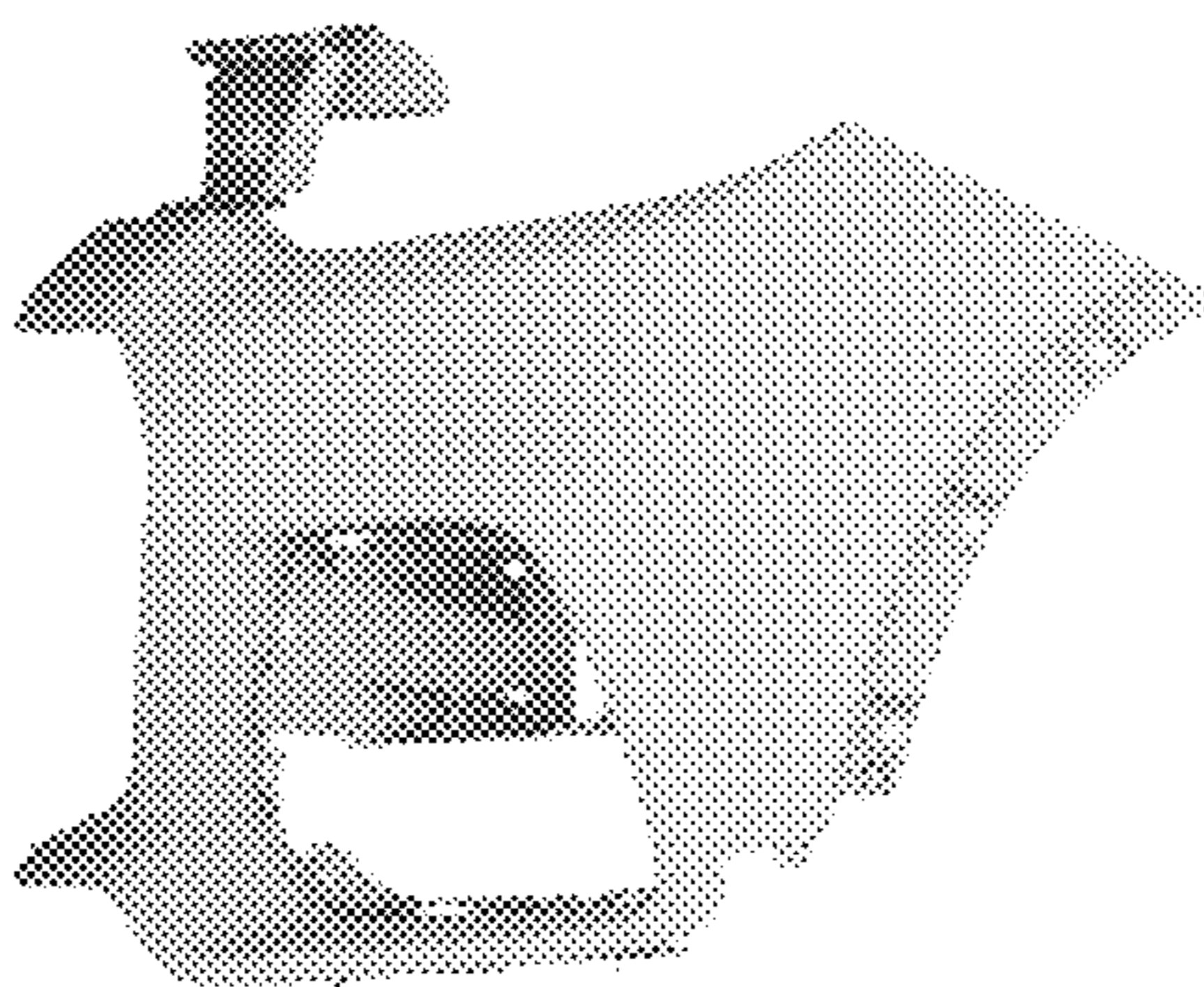


Fig. 6

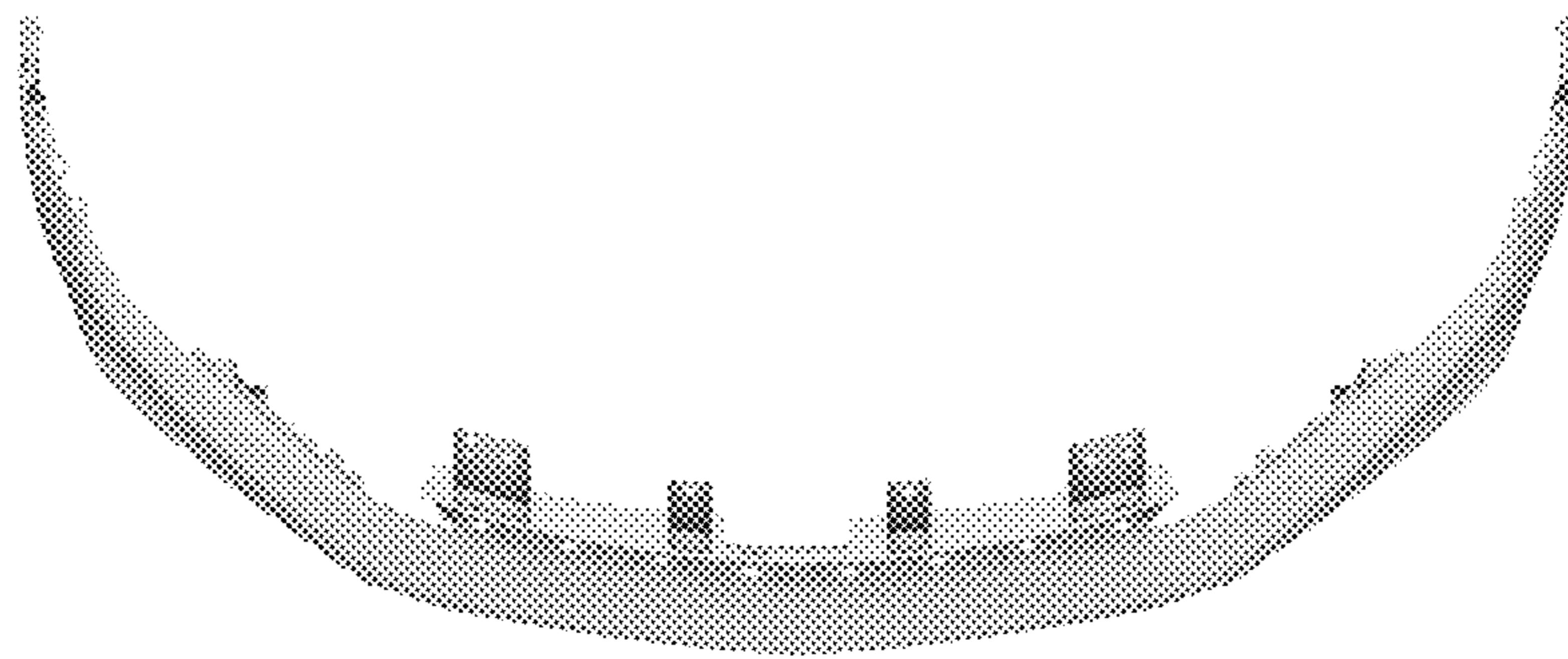


Fig. 7

