



US00D800611S

(12) **United States Design Patent** (10) **Patent No.:** **US D800,611 S**
Ramirez, Jr. (45) **Date of Patent:** **** Oct. 24, 2017**

(54) **TRAILER HITCH**
(71) Applicant: **Miguel Z. Ramirez, Jr.**, Uvalde, TX (US)
(72) Inventor: **Miguel Z. Ramirez, Jr.**, Uvalde, TX (US)
(**) Term: **15 Years**
(21) Appl. No.: **29/574,061**
(22) Filed: **Aug. 11, 2016**
(51) **LOC (10) Cl.** **12-16**
(52) **U.S. Cl.**
USPC **D12/162**
(58) **Field of Classification Search**
USPC D12/159, 160, 161, 162, 203, 223, 400
CPC . B60D 1/065; B60D 1/00; B60D 1/60; B60D 1/06
See application file for complete search history.

6,079,728 A * 6/2000 Miller B60D 1/00
280/402
D470,085 S * 2/2003 Newport B60D 1/485
D12/162
D470,444 S * 2/2003 Newport D12/162
6,764,092 B1 7/2004 Greaves, Jr.
7,021,646 B1 4/2006 Cheng et al.
7,156,411 B2* 1/2007 Jaekel B60D 1/54
280/479.1
D569,770 S * 5/2008 Biery, Jr. D12/162
8,534,695 B2 9/2013 Columbia
D692,802 S * 11/2013 Tollenaere D12/162
D747,240 S * 1/2016 Myers D12/162

* cited by examiner

Primary Examiner — Karen S Acker
Assistant Examiner — Jerry Hsu
(74) *Attorney, Agent, or Firm* — Robert C. Montgomery;
Montgomery Patent & Design, L.P.

(57) **CLAIM**

The ornamental design for a trailer hitch, as shown and described.

(56) **References Cited**

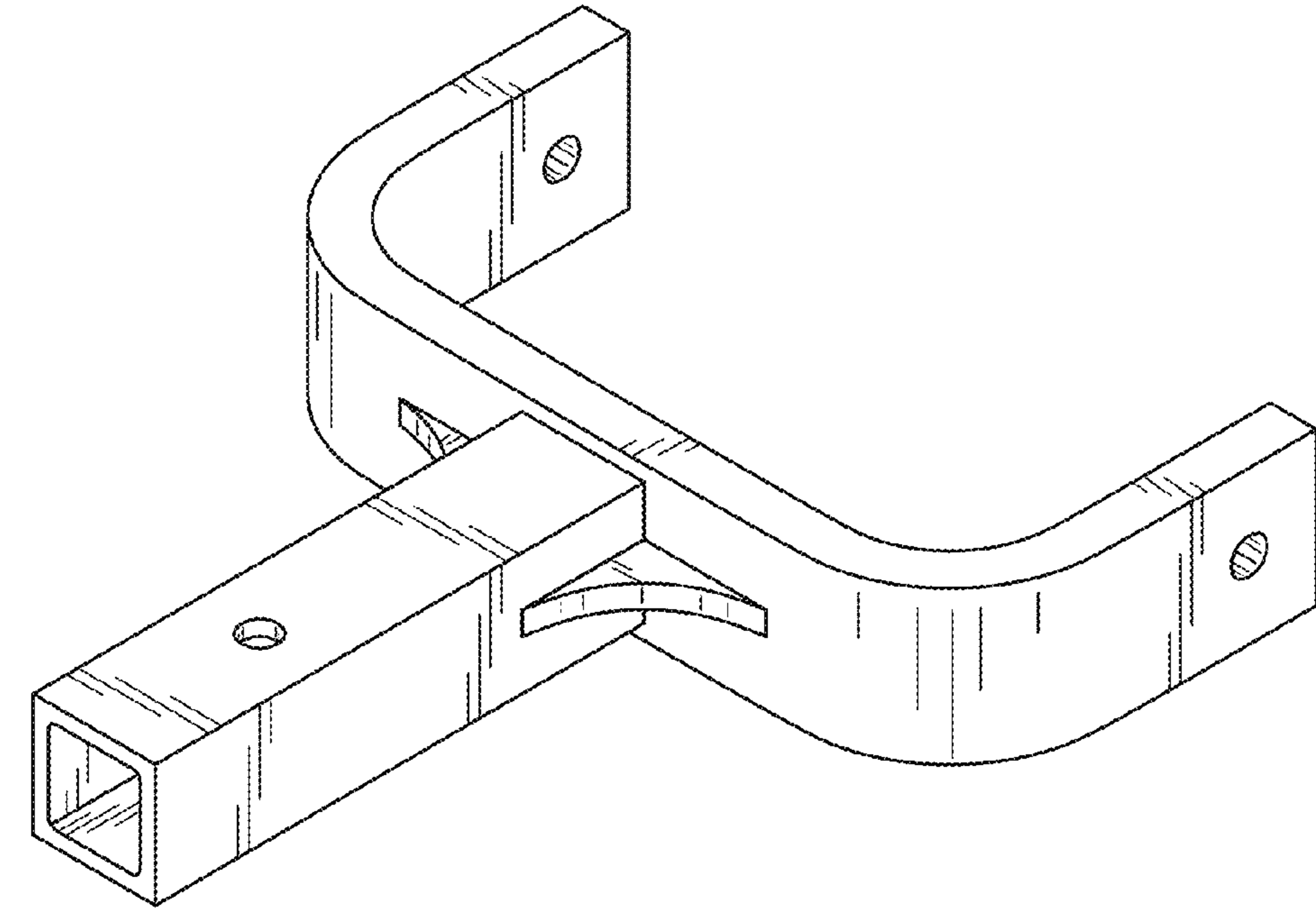
U.S. PATENT DOCUMENTS

3,393,924 A 7/1968 Silver
D214,787 S * 7/1969 Whisnand et al. D12/162
3,655,221 A 4/1972 Warner
3,664,686 A 5/1972 Anderson
3,963,264 A 6/1976 Down
5,348,333 A * 9/1994 Gee B60D 1/143
280/491.1
D358,570 S * 5/1995 Doherty D12/162
D373,104 S * 8/1996 Miller D12/162
D375,923 S * 11/1996 McCoy D12/162
5,685,554 A * 11/1997 Poxleitner B60D 1/48
280/491.2
5,915,714 A 6/1999 Bell et al.

DESCRIPTION

FIG. 1 is a front top side perspective view of a trailer hitch, showing my new design;
FIG. 2 is a rear bottom side perspective view thereof;
FIG. 3 is a rear side elevation view thereof;
FIG. 4 is a front side elevation view thereof;
FIG. 5 is a left side elevation view thereof;
FIG. 6 is a right side elevation view thereof; and,
FIG. 7 is a top side plan view with the bottom side plan view being a mirror image thereof.

1 Claim, 7 Drawing Sheets



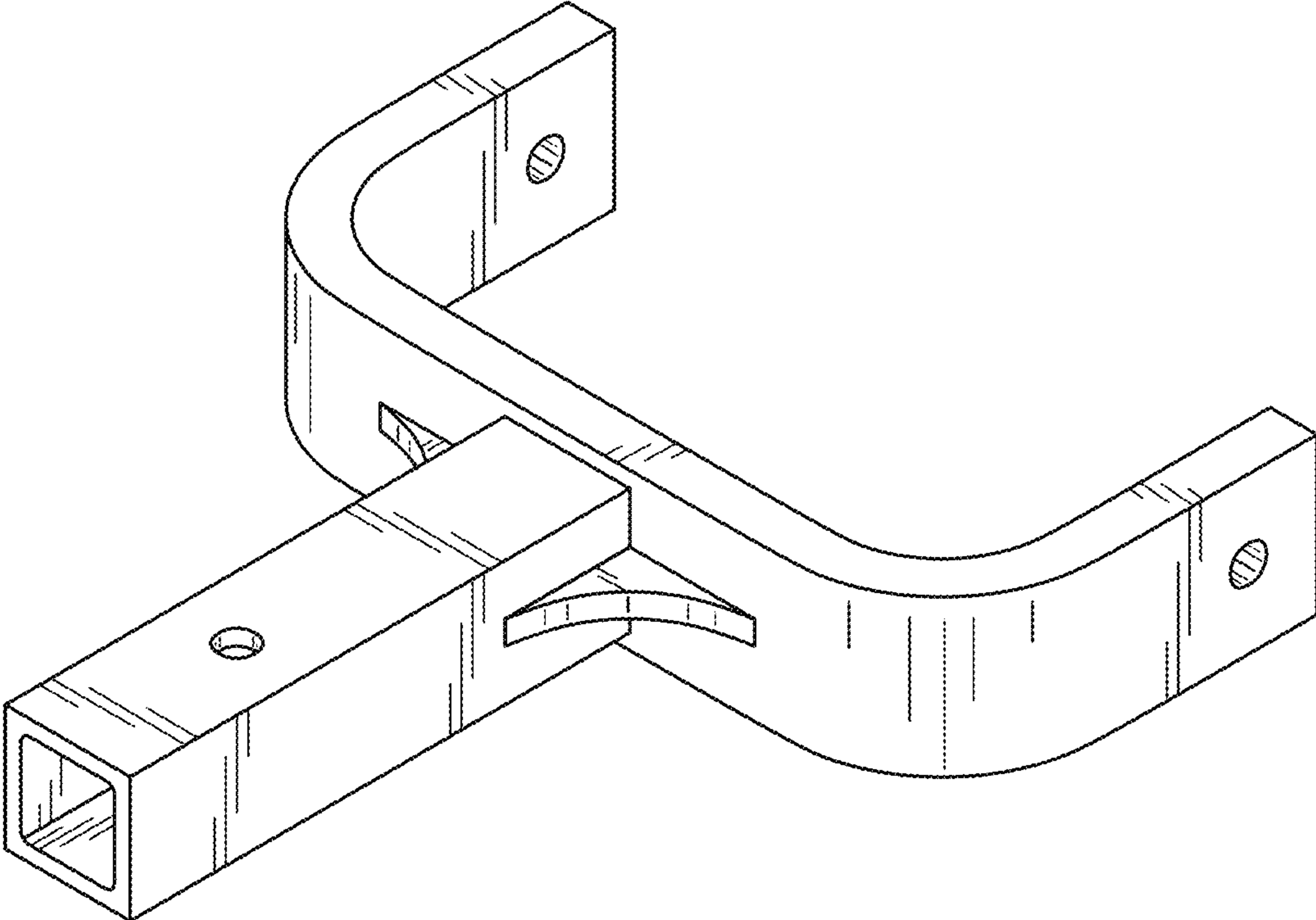


FIG. 1

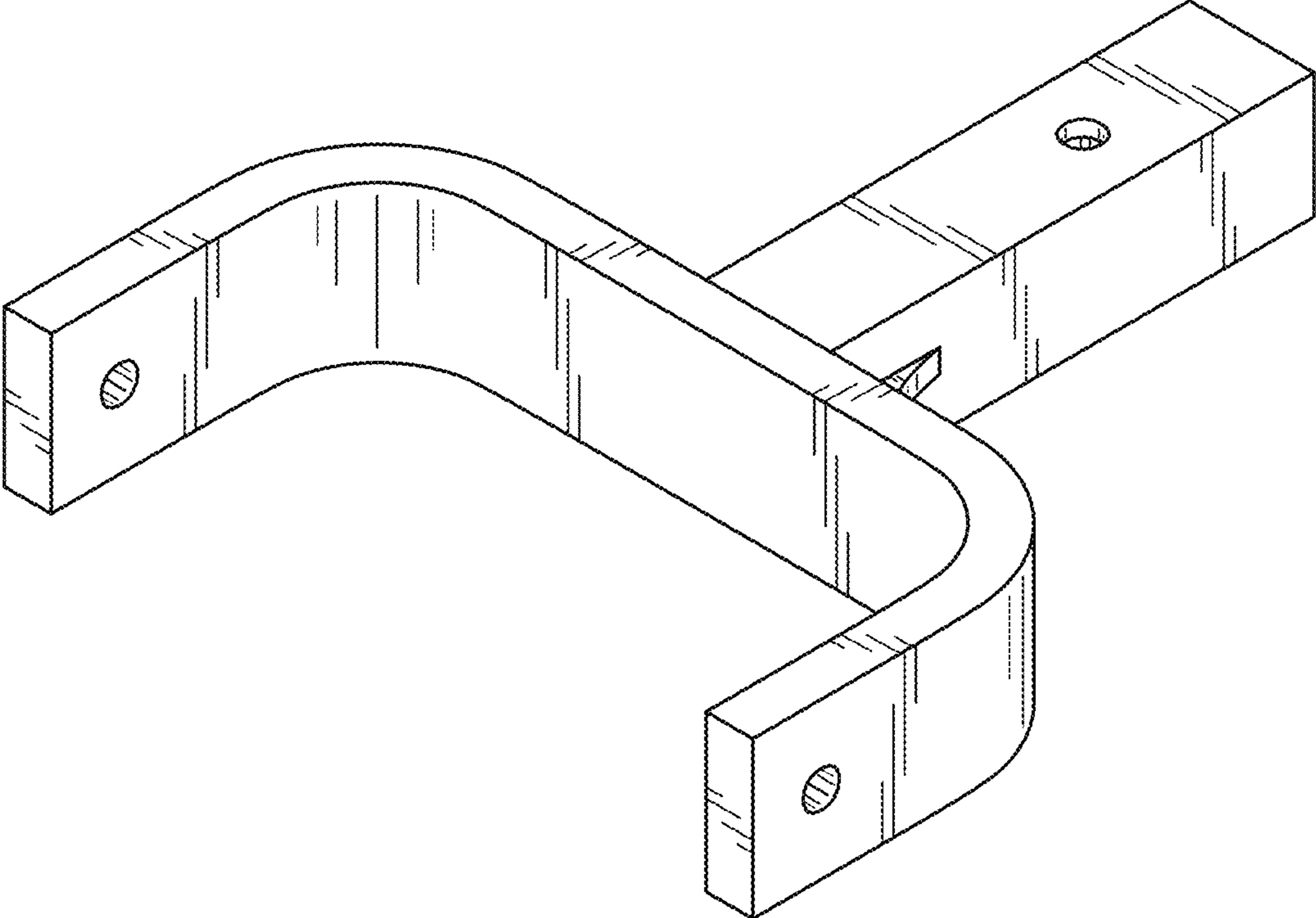


FIG. 2



FIG. 3

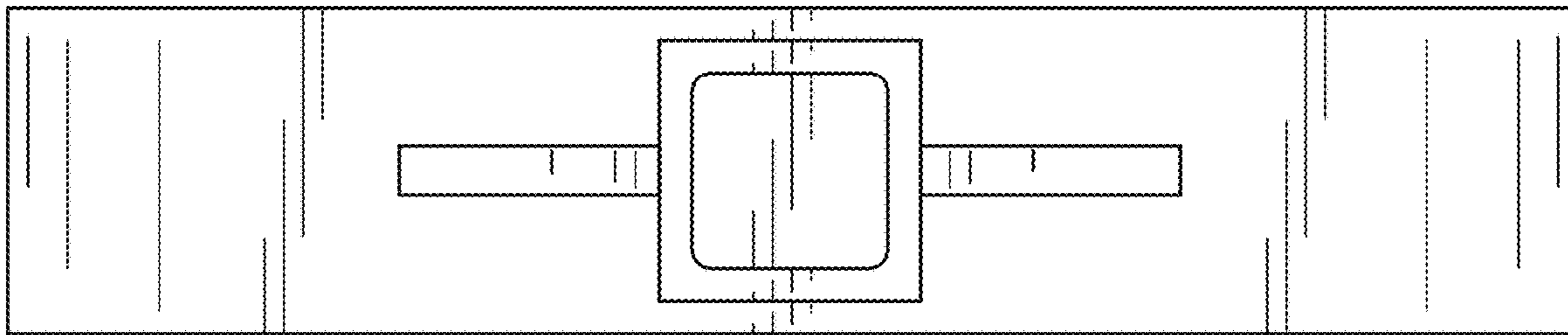


FIG. 4

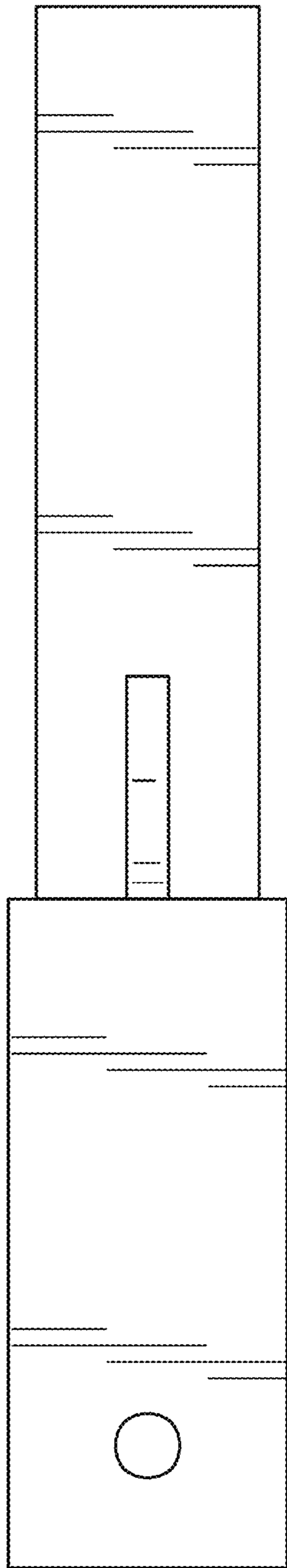


FIG. 5

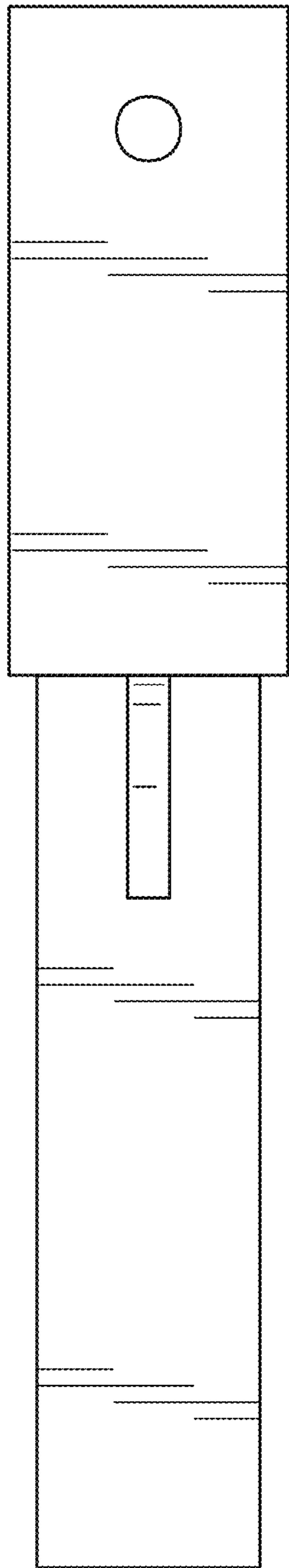


FIG. 6

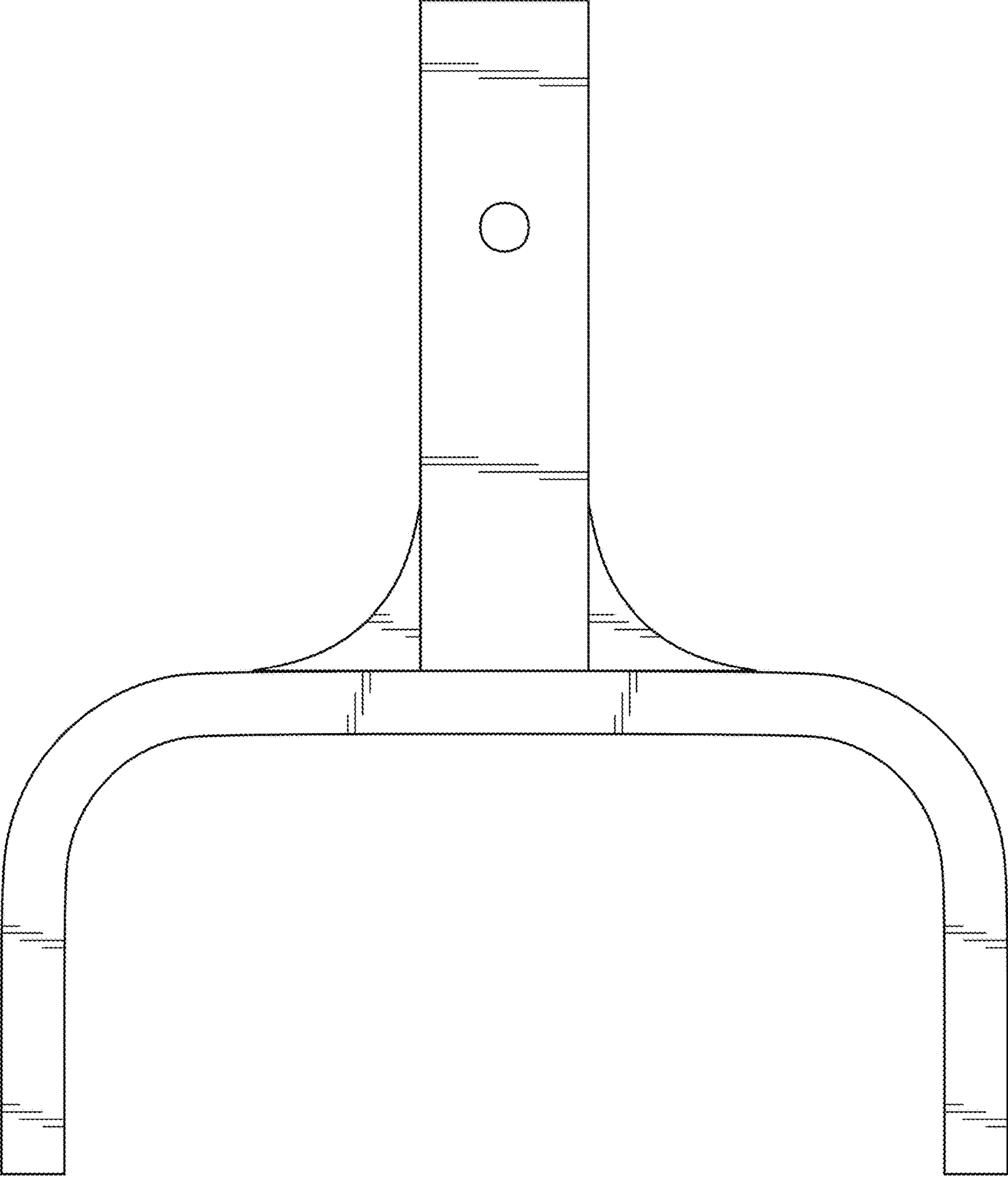


FIG. 7