



US00D800609S

(12) **United States Design Patent**
Trask

(10) **Patent No.:** **US D800,609 S**

(45) **Date of Patent:** **** Oct. 24, 2017**

(54) **MOTORCYCLE WITH AIR CLEANER**

(71) Applicant: **Nick Trask**, Phoenix, AZ (US)

(72) Inventor: **Nick Trask**, Phoenix, AZ (US)

(**) Term: **15 Years**

(21) Appl. No.: **29/562,232**

(22) Filed: **Apr. 23, 2016**

(51) **LOC (10) Cl.** **12-11**

(52) **U.S. Cl.**

USPC **D12/110**; D23/365

(58) **Field of Classification Search**

USPC D15/1-6; D12/110; D23/209, 303, 341,
D23/354, 358, 363, 364, 365, 386

CPC .. F02M 19/00; F02M 17/46; F02M 35/02416;
F02M 35/0201; F02M 35/02; F02M
35/024; B01D 46/0002; B01D 46/0004;
B01D 46/2422; B01D 2046/2488

See application file for complete search history.

(56) **References Cited**

U.S. PATENT DOCUMENTS

D400,323 S *	10/1998	Scanlon	D32/30
D401,684 S *	11/1998	Shelton	D23/365
D403,414 S *	12/1998	Shelton	D23/365
D438,214 S *	2/2001	Gieseke	D15/5
D449,678 S *	10/2001	Ng-Gee-Quan	D23/365
D470,216 S *	2/2003	Gustafson	D23/209
D471,623 S *	3/2003	Gieseke	D23/365
6,833,023 B1 *	12/2004	Vandenberghe	B01D 29/906 55/337
6,942,708 B2 *	9/2005	Peter	B01D 46/0024 55/282.2
D533,265 S *	12/2006	Fiello	D23/365
7,374,595 B2 *	5/2008	Gierer	A47L 9/127 55/498
7,964,011 B2 *	6/2011	DeLillo	B01D 46/001 55/498
D652,497 S *	1/2012	Troxell	D23/365

8,292,984 B2 *	10/2012	Baseotto	B01D 46/0024 55/498
D674,464 S *	1/2013	Wilder	D23/209
D691,252 S *	10/2013	Moredock	D23/365
8,752,533 B2 *	6/2014	Schultz	F02M 25/06 123/198 E
D713,023 S *	9/2014	Chen	D23/365
D717,420 S *	11/2014	Von Seggern	D23/365
8,960,171 B1 *	2/2015	Sinden	F02M 19/00 123/590
D736,263 S *	8/2015	Schultz	D15/5
D739,513 S *	9/2015	Williams	D23/365
D744,626 S *	12/2015	Leatzow	D23/365

(Continued)

Primary Examiner — Darlington Ly

(74) *Attorney, Agent, or Firm* — Ice Miller LLP

(57) **CLAIM**

The ornamental design for a motorcycle with air cleaner, as shown and described.

DESCRIPTION

FIG. 1 is a top perspective view of the motorcycle with air cleaner;

FIG. 2 is a left side elevation view of the motorcycle with air cleaner;

FIG. 3 is a right side elevation view of the motorcycle with air cleaner;

FIG. 4 is a rear elevation view of the motorcycle with air cleaner;

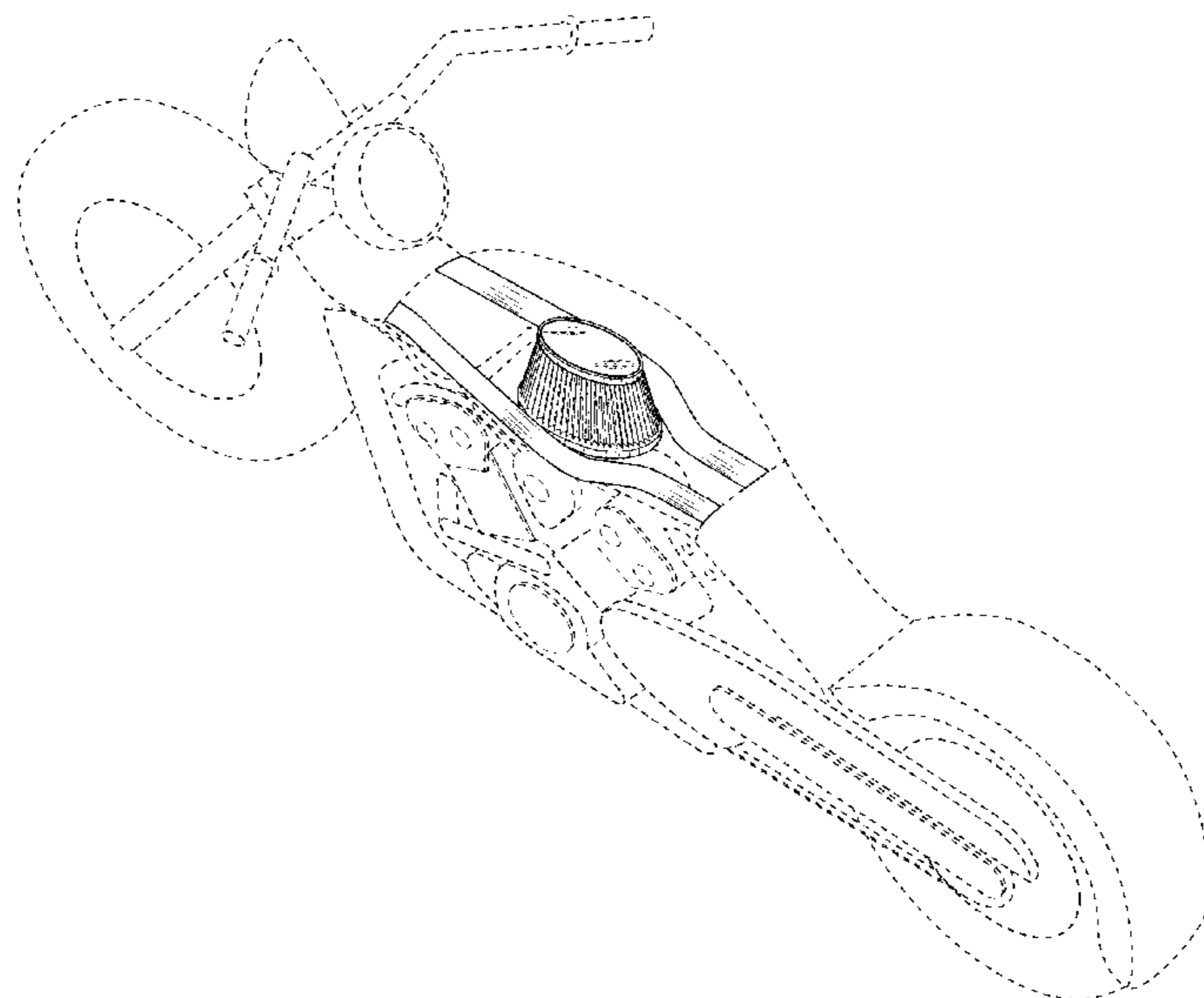
FIG. 5 is a front elevation view of the motorcycle with air cleaner;

FIG. 6 is a top plan view of the motorcycle with air cleaner; and,

FIG. 7 is a bottom plan view of the motorcycle with air cleaner.

The broken lines in the drawings illustrate portions of the motorcycle with air cleaner that form no part of the claimed design.

1 Claim, 6 Drawing Sheets



(56)

References Cited

U.S. PATENT DOCUMENTS

D746,969 S *	1/2016	Leatzow	D23/365
D761,946 S *	7/2016	Francis	D23/365
D766,135 S *	9/2016	Davidson	D12/110
D767,746 S *	9/2016	Moredock	D23/365
D768,277 S *	10/2016	Moredock	D23/365
D768,833 S *	10/2016	Moredock	D23/365
D770,026 S *	10/2016	Morgan	B01D 46/0005 D23/365
D774,964 S *	12/2016	Akashi	D12/110
D777,211 S *	1/2017	Wall	D15/5

* cited by examiner

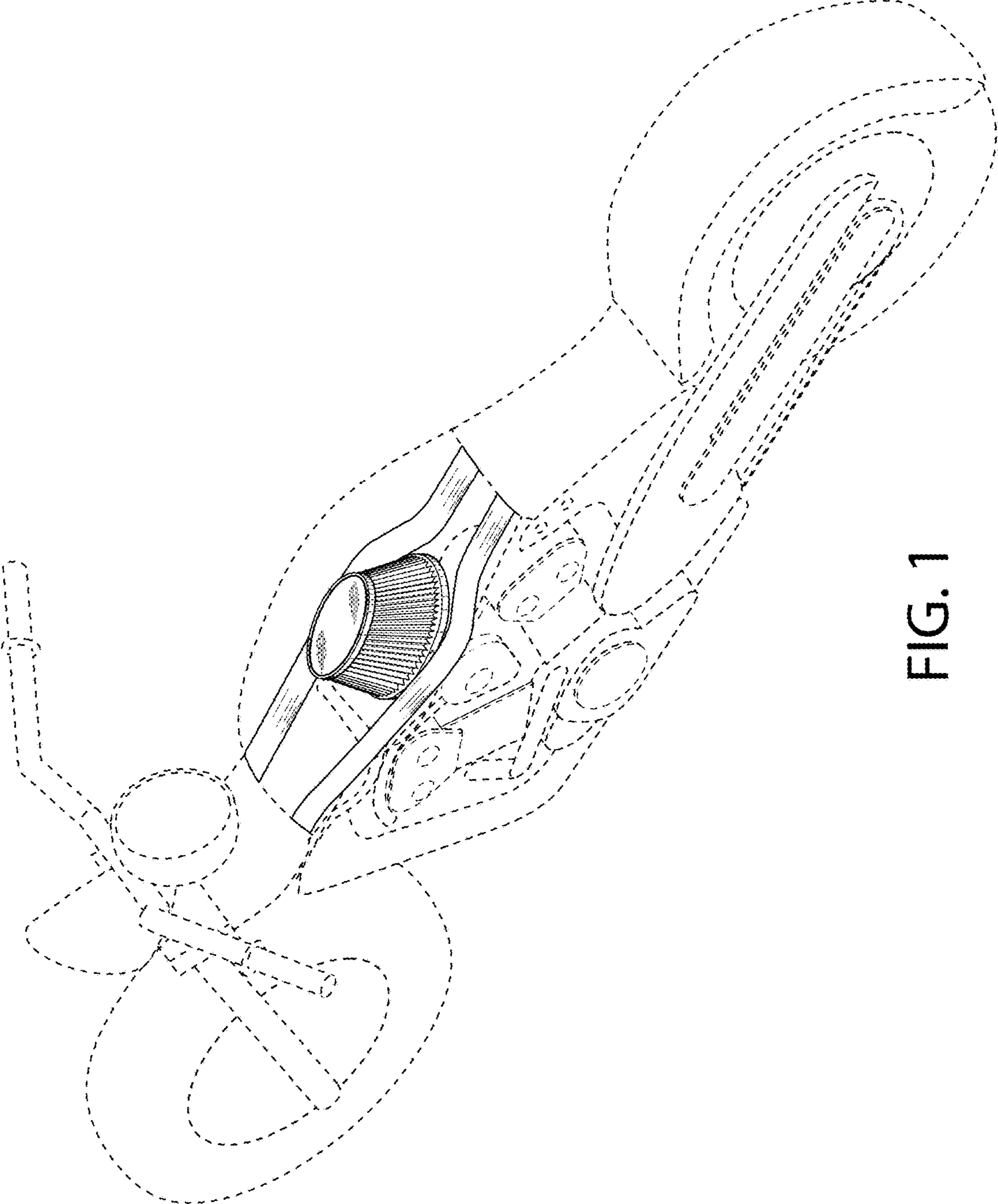


FIG. 1

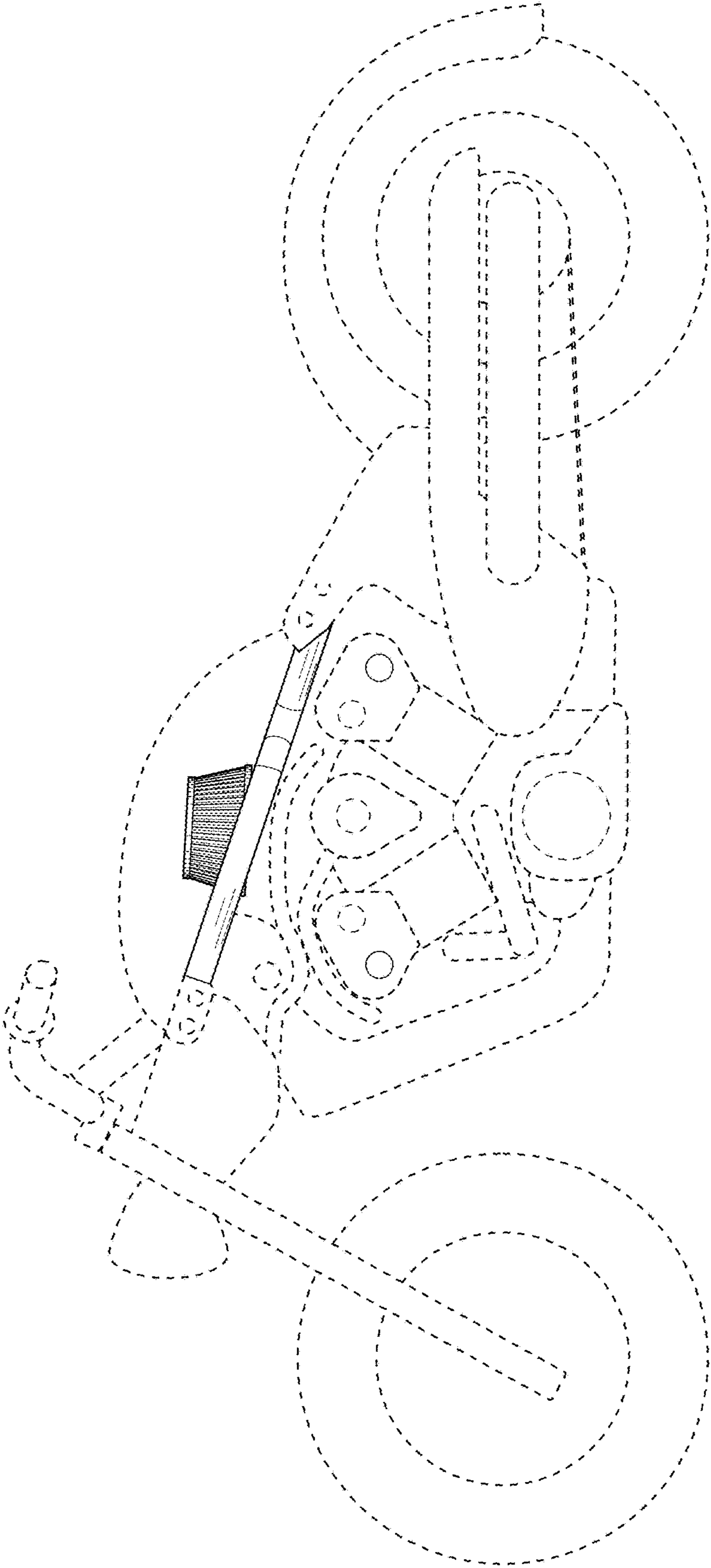


FIG. 2

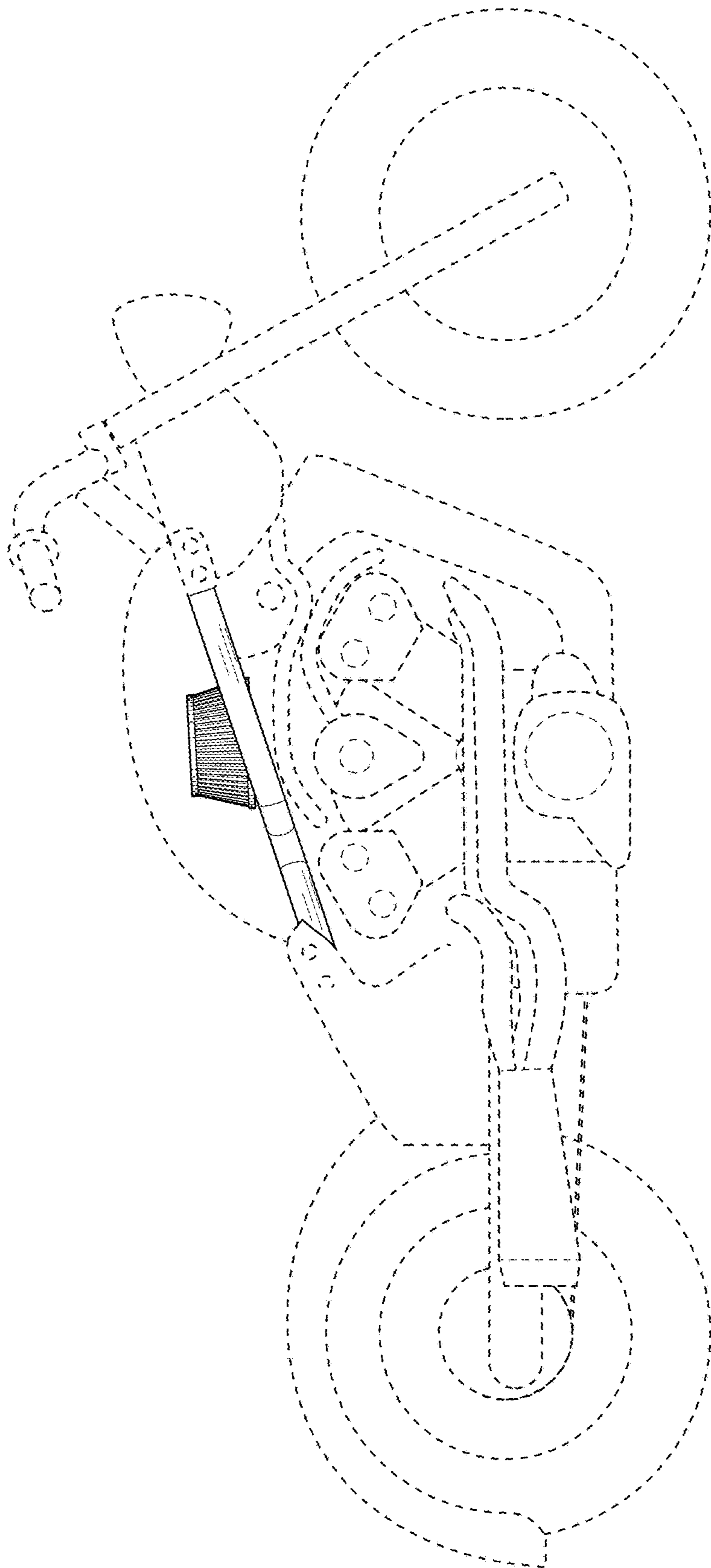


FIG. 3

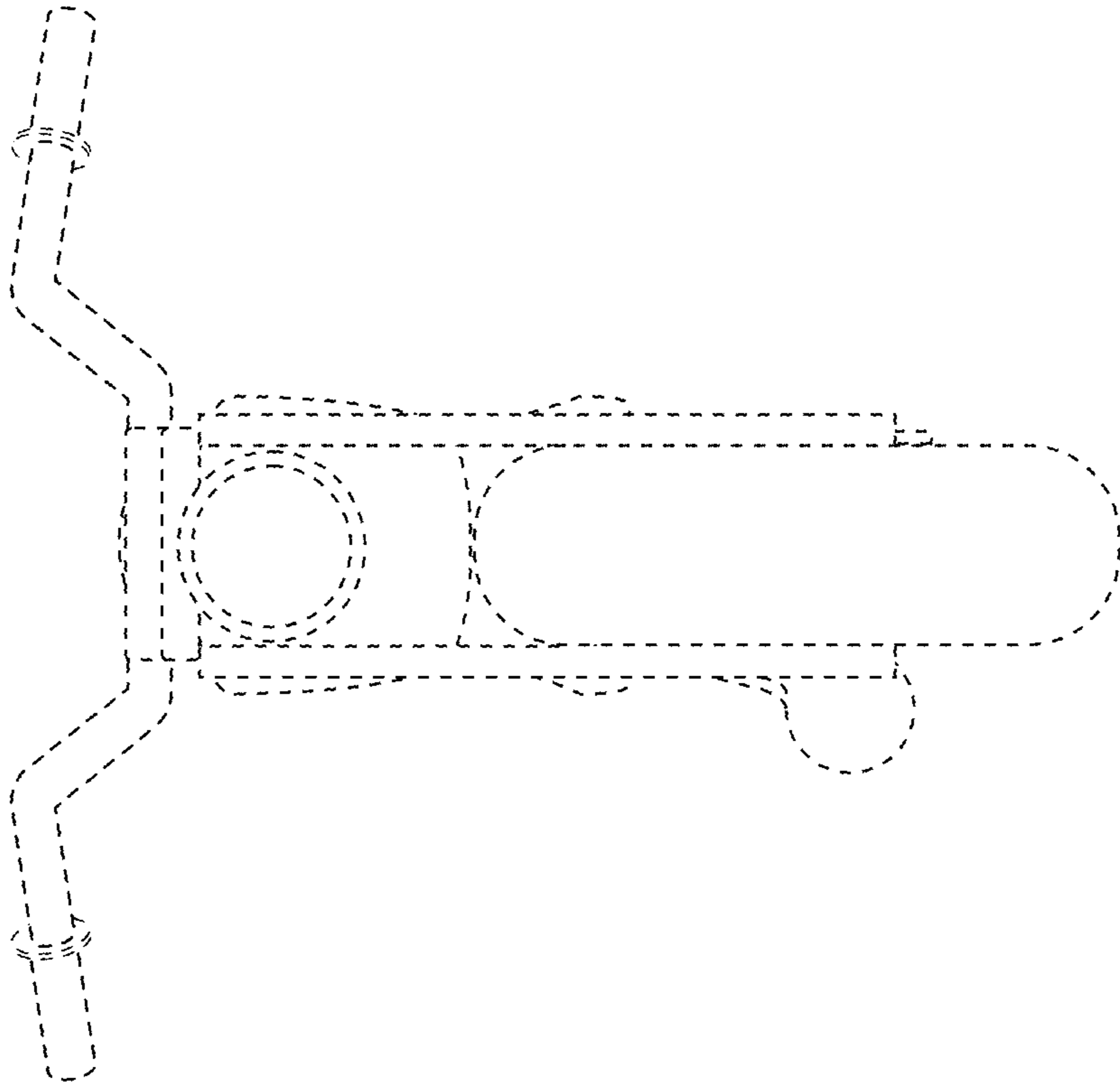


FIG. 4

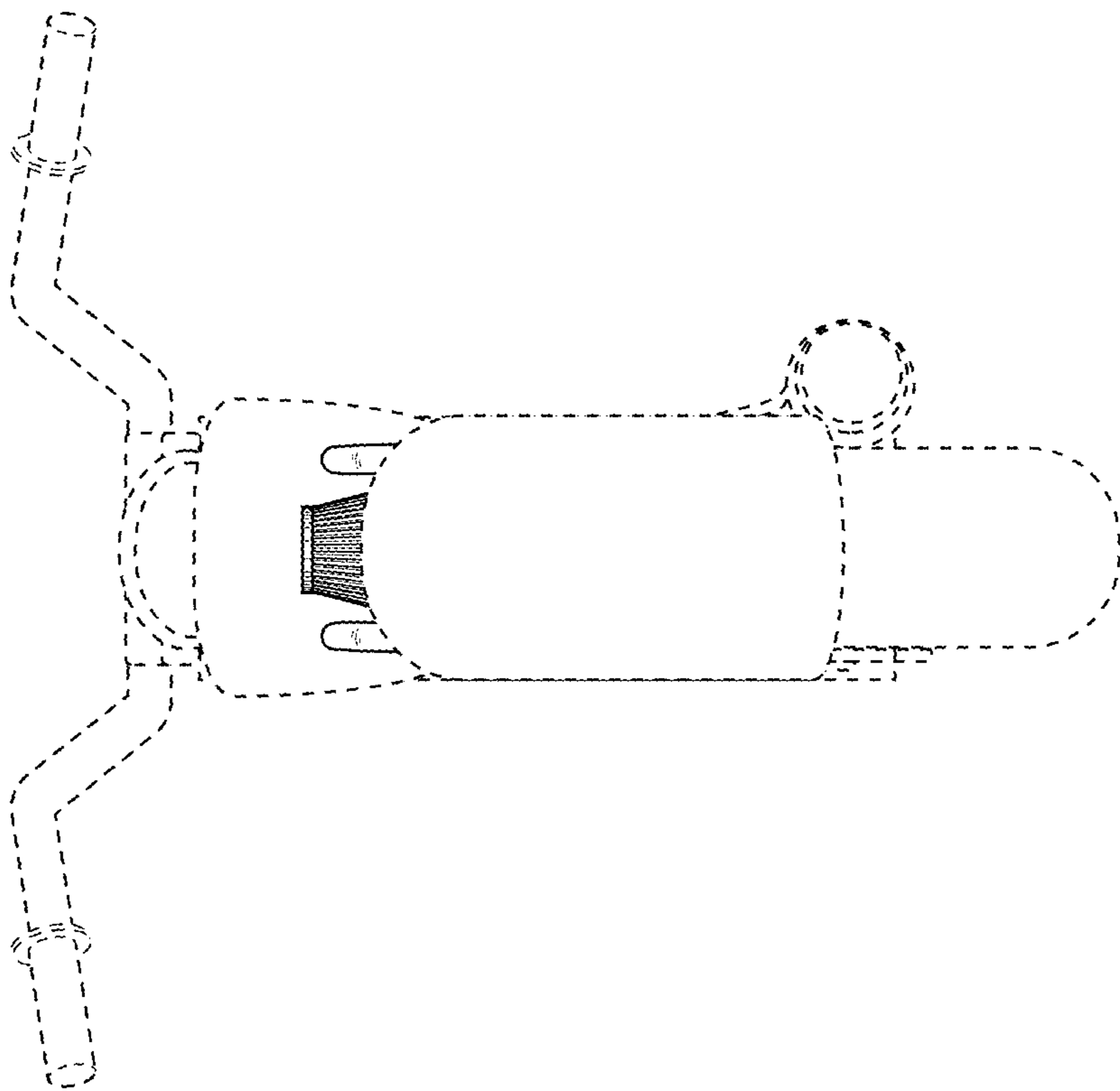


FIG. 5

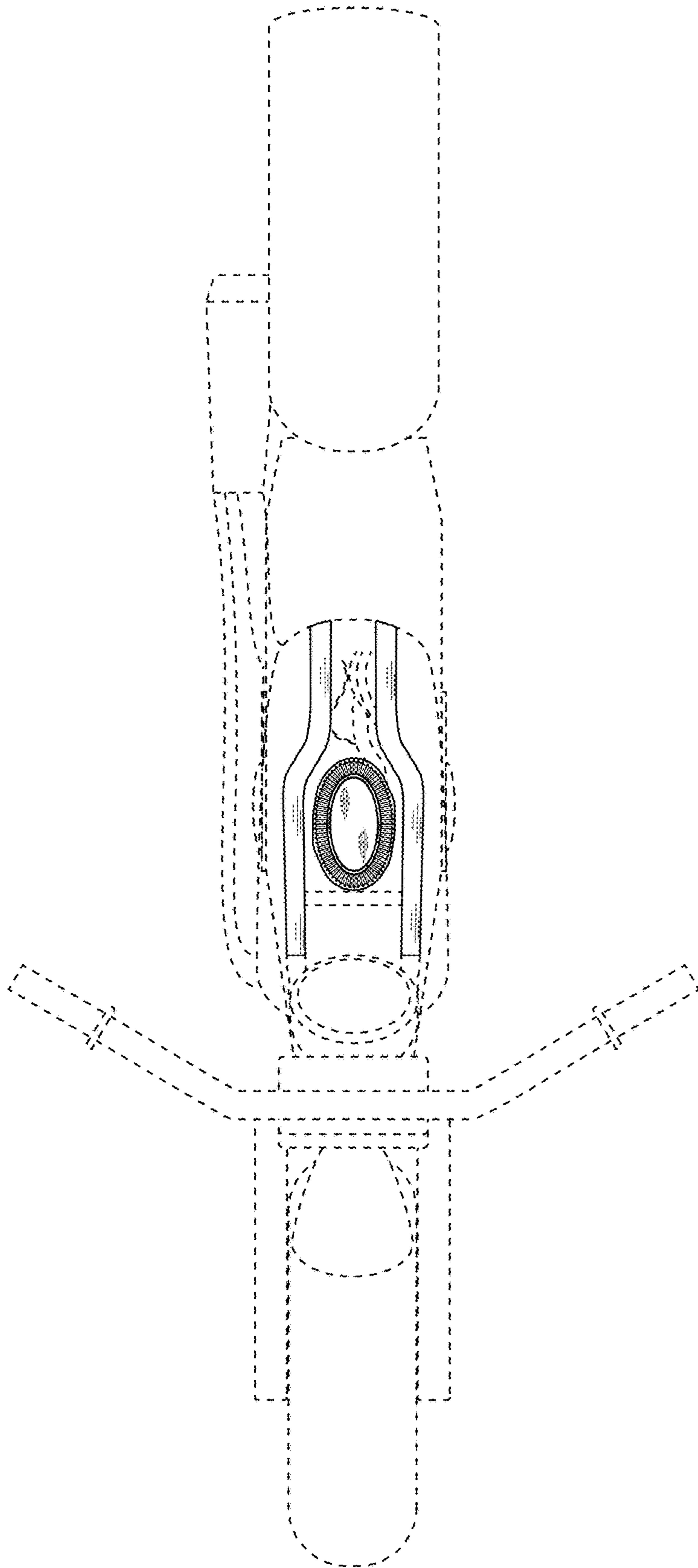


FIG. 6

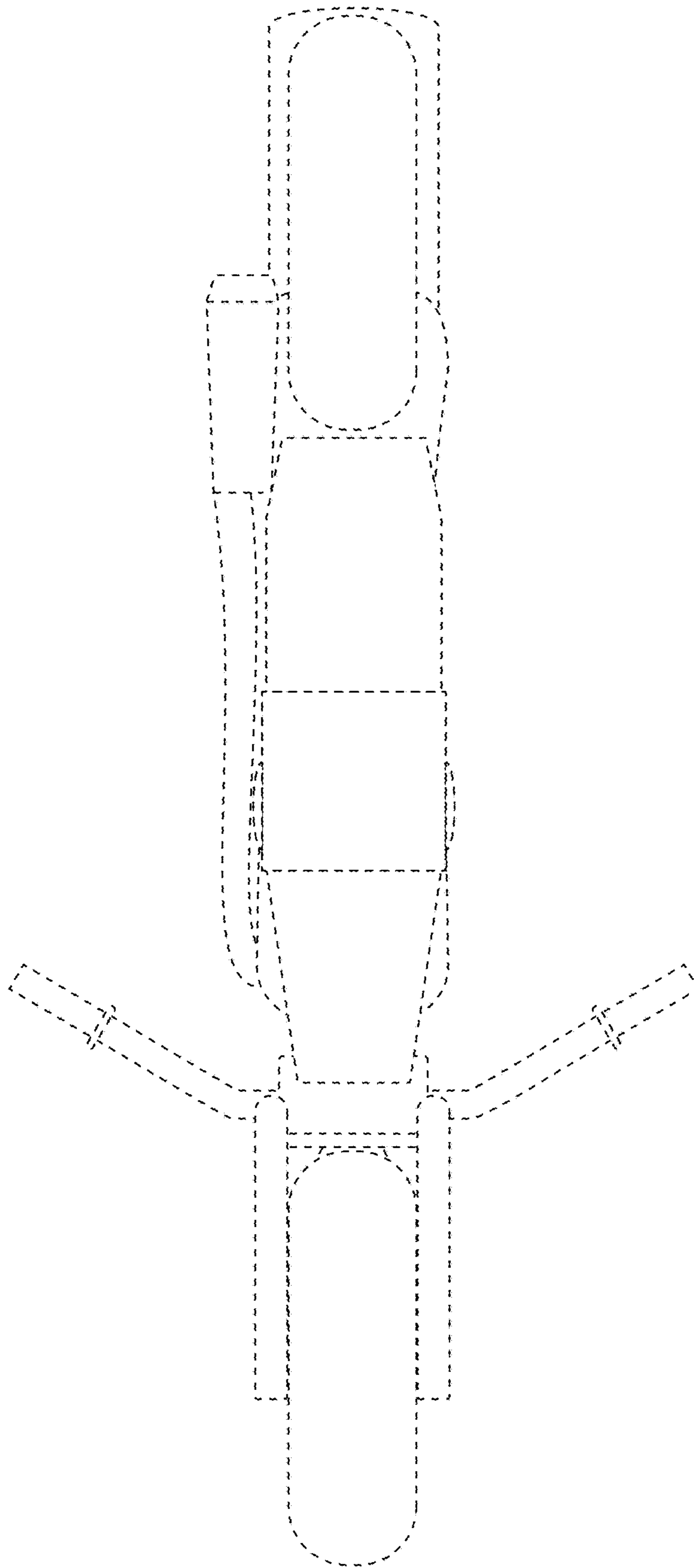


FIG. 7