



US00D800603S

(12) **United States Design Patent**
Curl

(10) **Patent No.: US D800,603 S**

(45) **Date of Patent: ** Oct. 24, 2017**

(54) **SANTA DRONE**

(71) Applicant: **Kelly Curl**, Ajax (CA)

(72) Inventor: **Kelly Curl**, Ajax (CA)

(**) Term: **15 Years**

(21) Appl. No.: **29/620,248**

(22) Filed: **Sep. 2, 2016**

(51) **LOC (10) Cl. 12-02**

(52) **U.S. Cl.**
USPC **D12/16.1; D21/441**

(58) **Field of Classification Search**
USPC D12/16.1, 319-345; D21/436, 441, 442,
D21/443, 446, 447, 448, 449, 450, 451,
D21/452, 453, 454
CPC ... B64C 27/20; B64C 27/08; B64C 2201/104;
B64C 2201/021; B64C 2201/128; B64C
2201/024; B64C 2201/141; B64C
2201/108; B64C 39/024

See application file for complete search history.

(56) **References Cited**

U.S. PATENT DOCUMENTS

D189,462 S	*	12/1960	Vogt	D12/329
D193,369 S	*	8/1962	Walker	D12/330
D196,213 S	*	9/1963	Paxhla	D12/330
D454,109 S	*	3/2002	Moshier	D12/319
D740,201 S	*	10/2015	Wang	D12/326
D741,751 S		10/2015	Klaptnocz et al.		
D760,624 S		7/2016	Balaresque		
D761,690 S	*	7/2016	Friesmuth	D12/16.1
D763,134 S		8/2016	Wang		
D772,756 S	*	11/2016	Gambus	D12/16.1

D779,595 S	*	2/2017	Xiao	D12/16.1
2004/0245374 A1	*	12/2004	Morgan	B64C 29/0025 244/12.3
2009/0008510 A1	*	1/2009	Posva	B64C 15/14 244/7 R
2017/0073070 A1	*	3/2017	Xing	B64C 39/024
2017/0097645 A1	*	4/2017	Garland	G05D 1/0094
2017/0113798 A1	*	4/2017	Lee	B64C 39/024

OTHER PUBLICATIONS

“Santa Claus Flies High anti Fast . . .”, Dec. 26, 2013 from <https://www.youtube.com/watch?v=nFY1ALT1pQc>; 2 pages.
“The Santa Claus Drone”, Michael Moffa, Oct. 11, 2014, 2 pages.

* cited by examiner

Primary Examiner — Robert M Spear
Assistant Examiner — Marissa J Cash

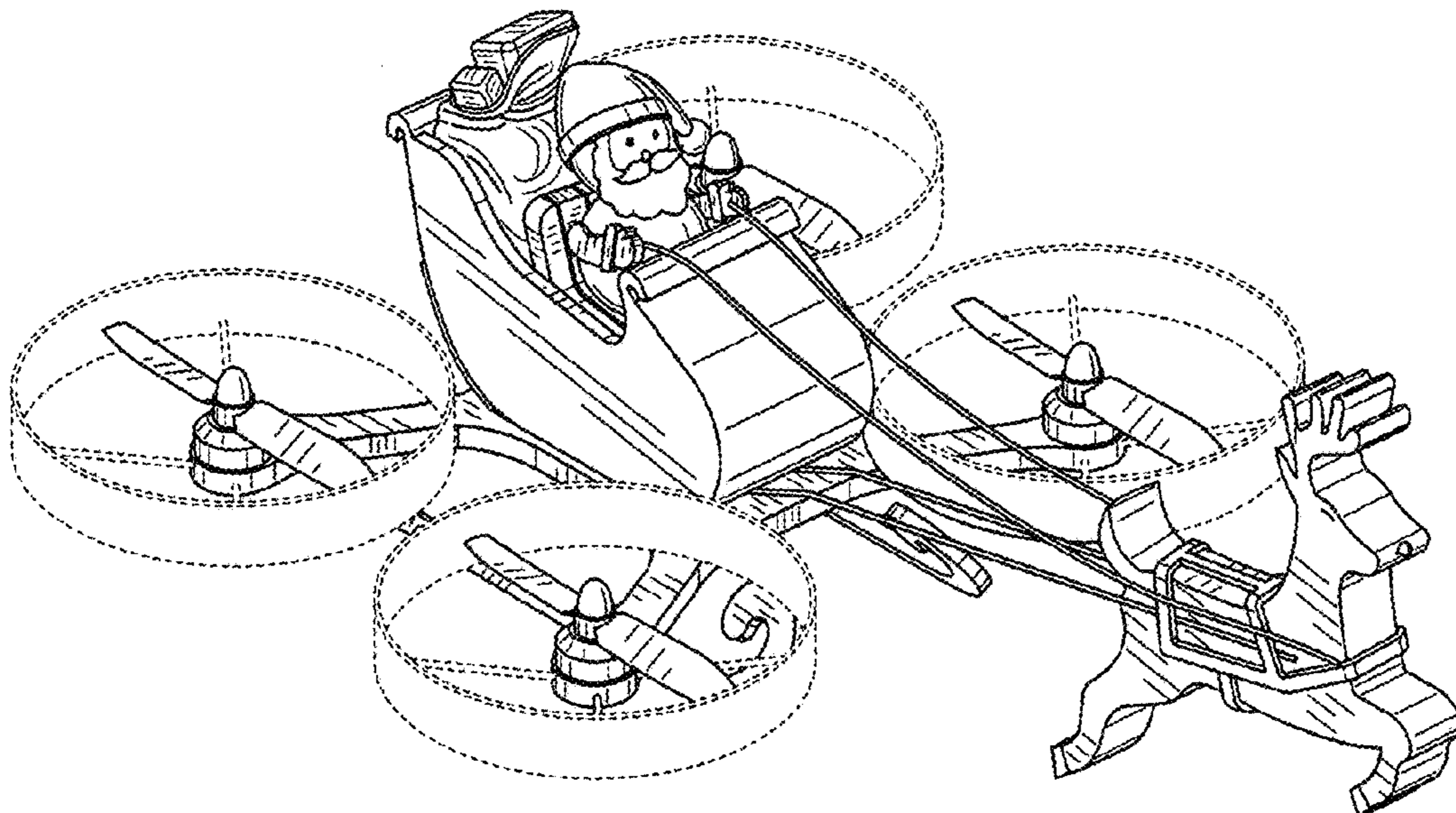
(57) **CLAIM**

I claim the ornamental design for a Santa drone, as shown and described.

DESCRIPTION

FIG. 1 is a top perspective view of a Santa drone showing my new design;
FIG. 2 is a bottom perspective view thereof;
FIG. 3 is a right side view thereof;
FIG. 4 is a front elevational view thereof;
FIG. 5 is a left side view thereof;
FIG. 6 is a rear elevational view thereof;
FIG. 7 is a top plan view thereof; and,
FIG. 8 is a bottom plan view thereof.
The broken lines in the drawings represent unclaimed environmental subject matter and form no part of the claim.

1 Claim, 8 Drawing Sheets



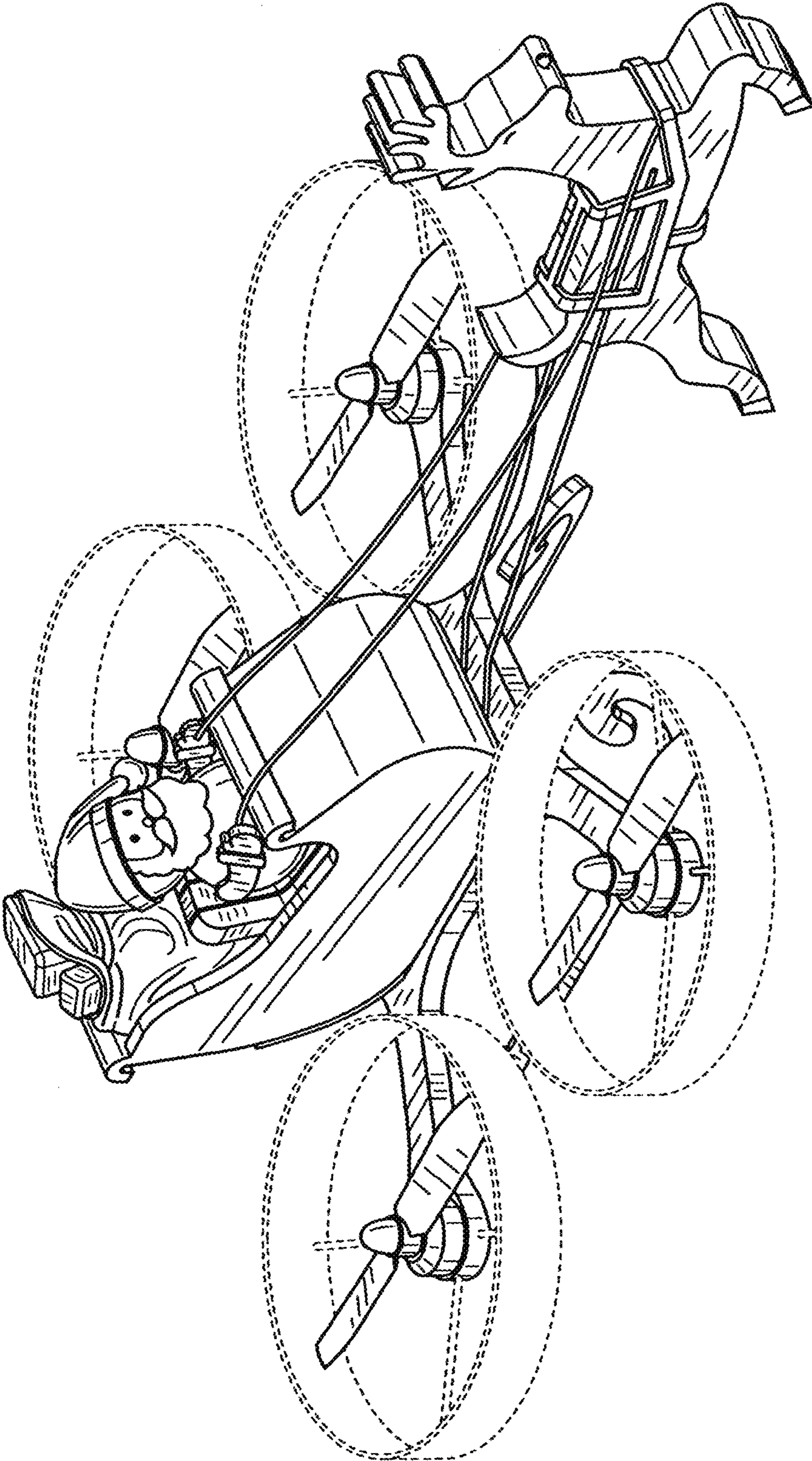


FIG. 1

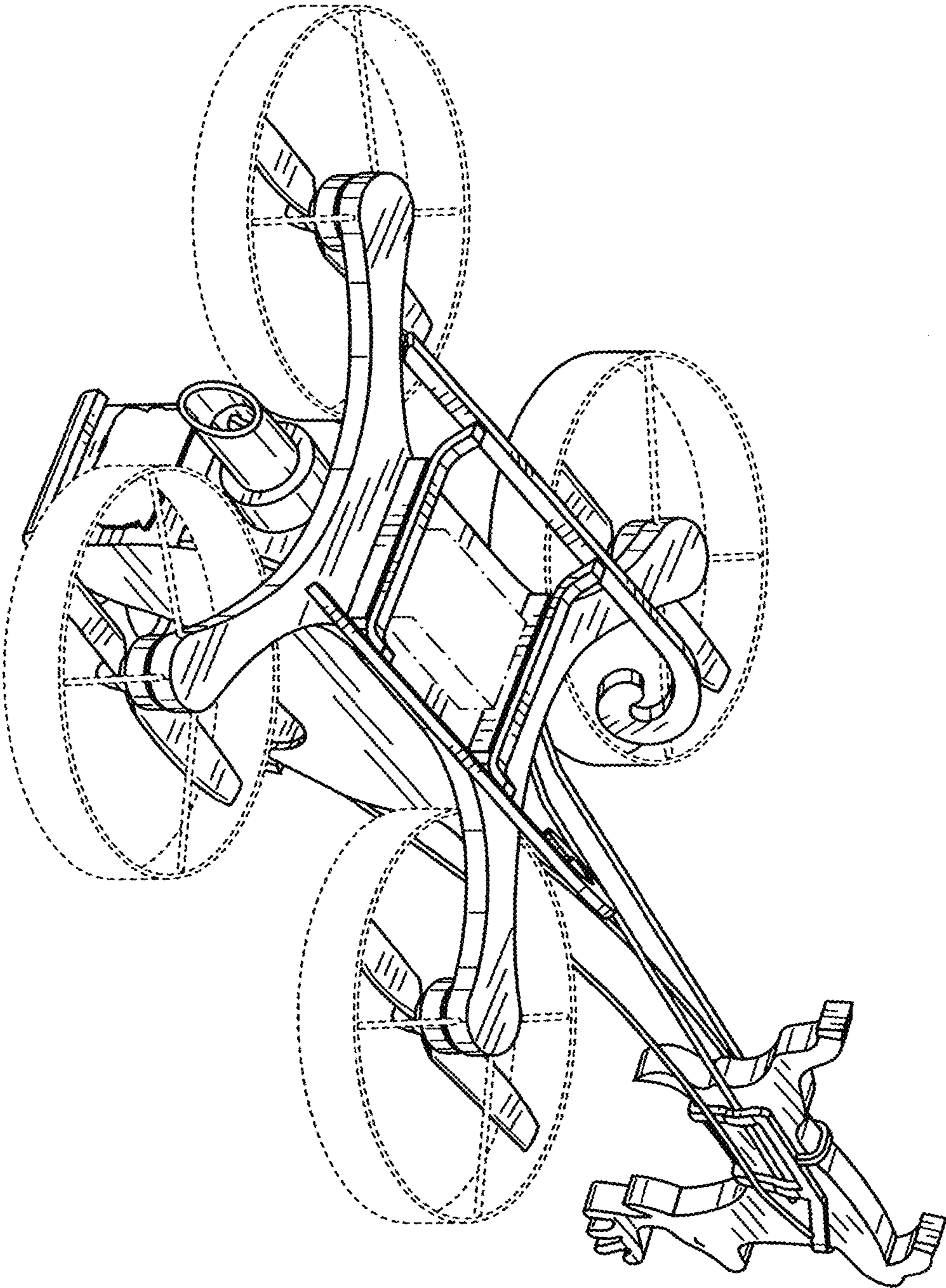


FIG. 2

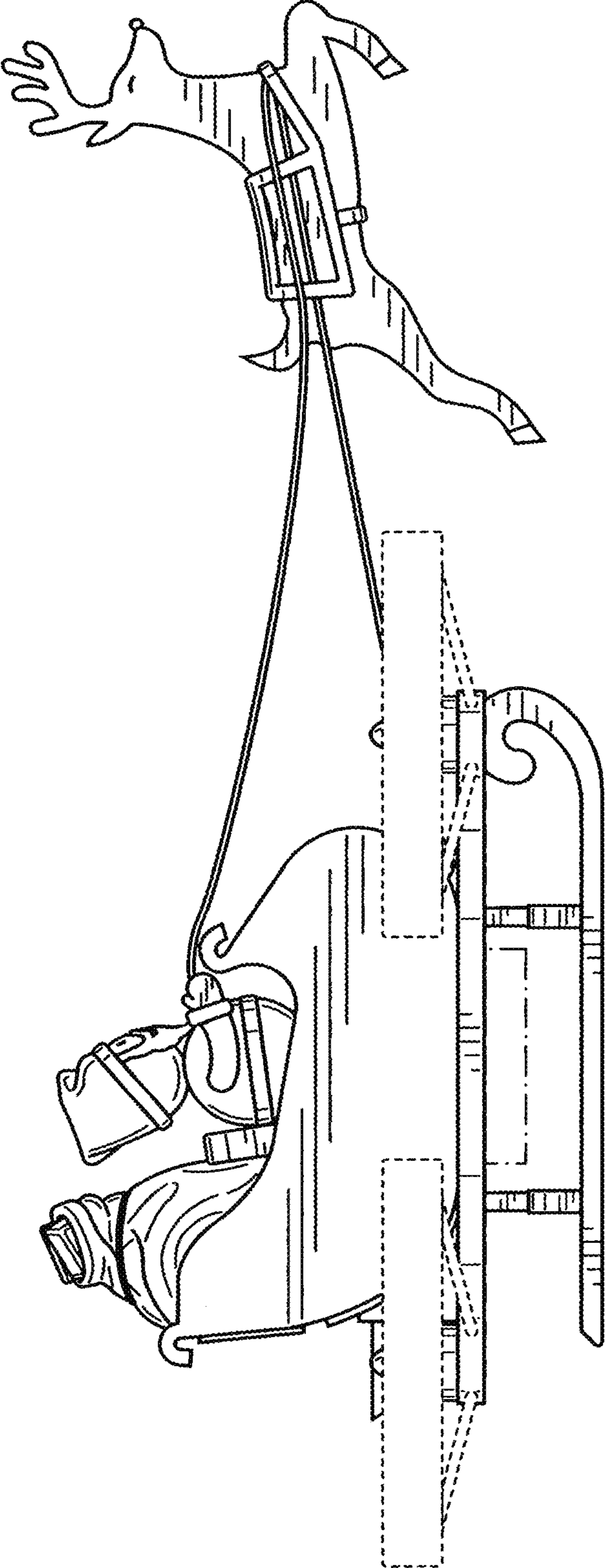


FIG. 3

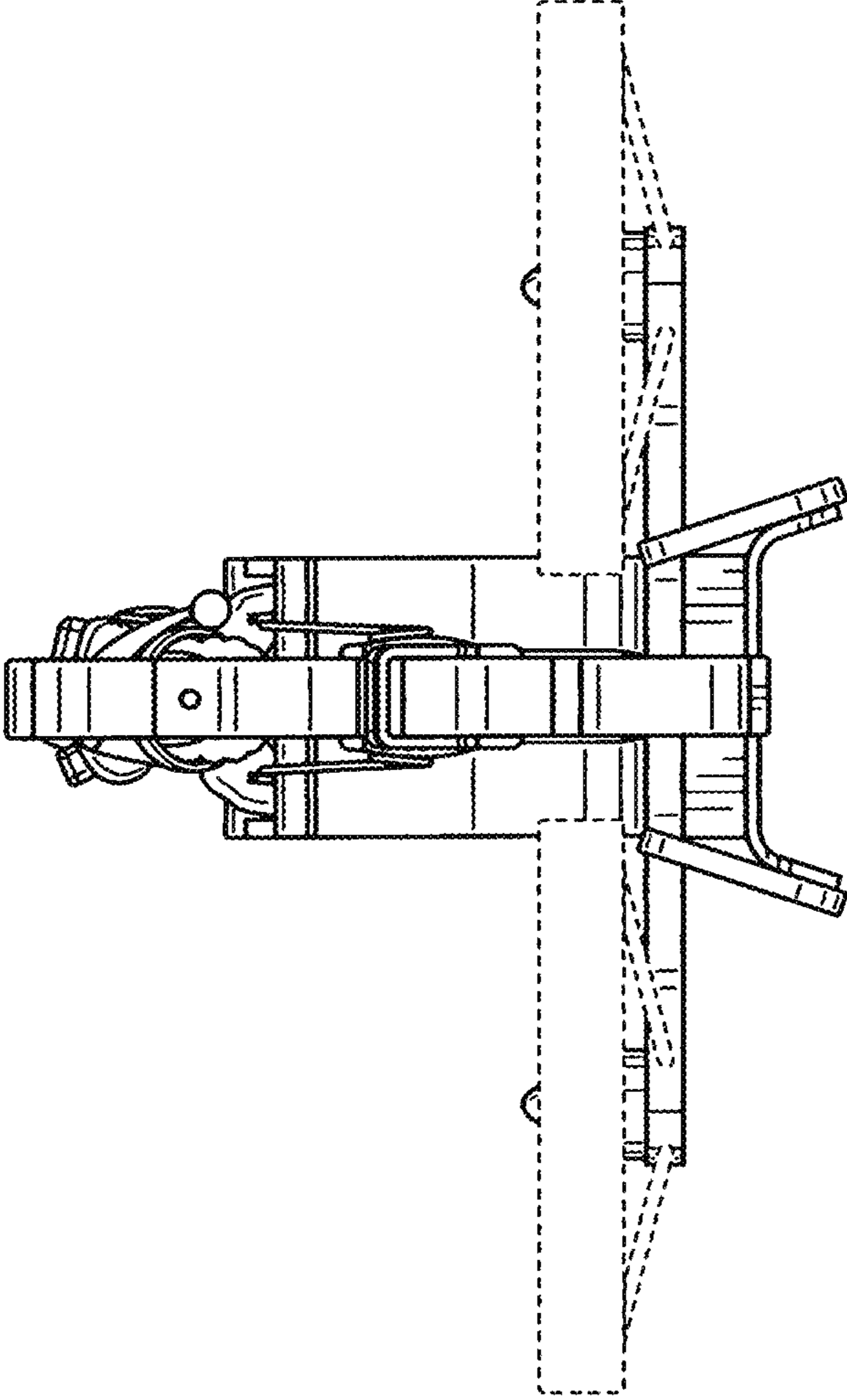


FIG. 4

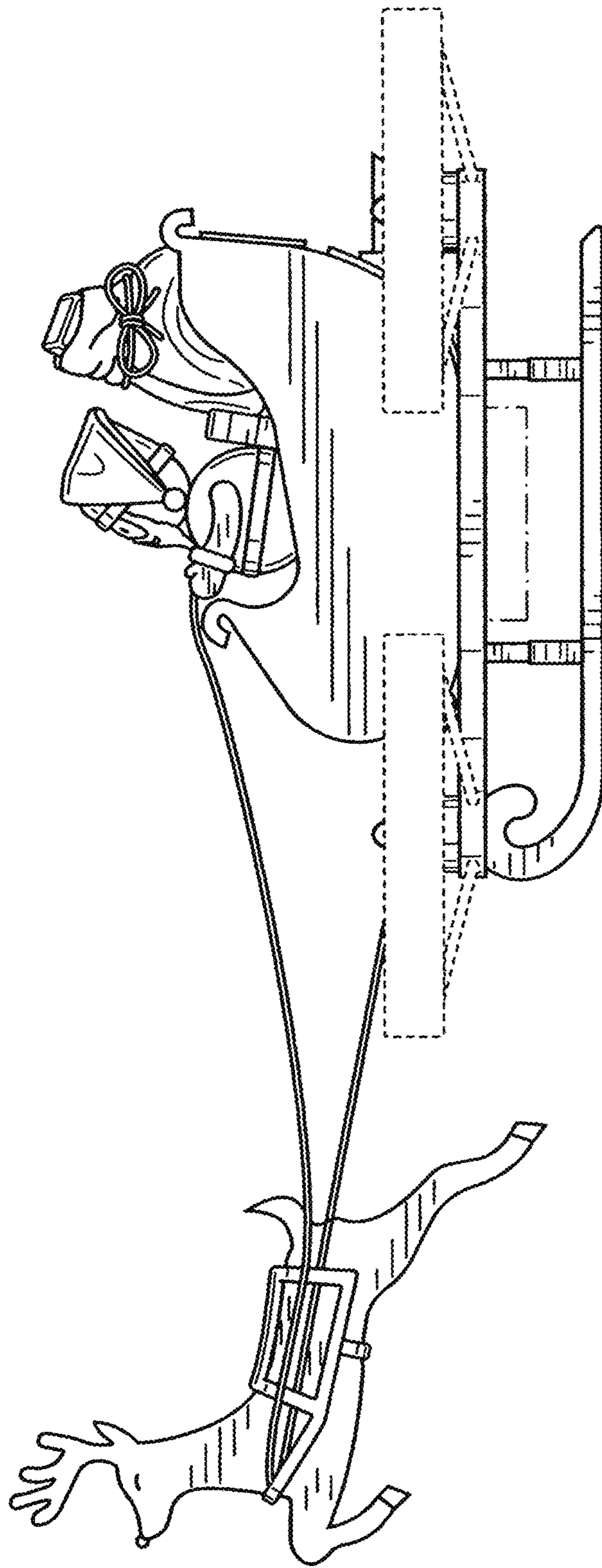


FIG. 5

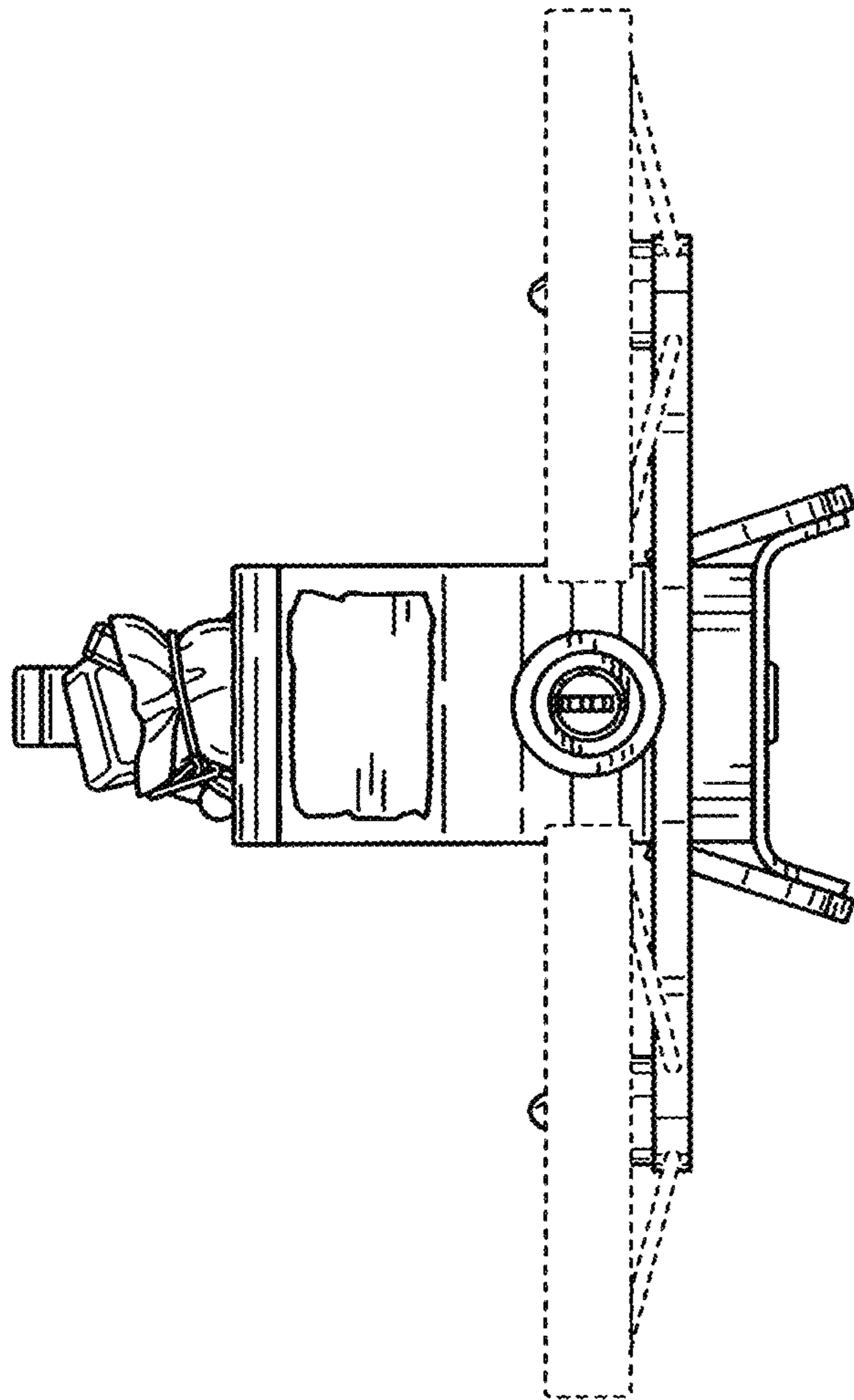


FIG. 6

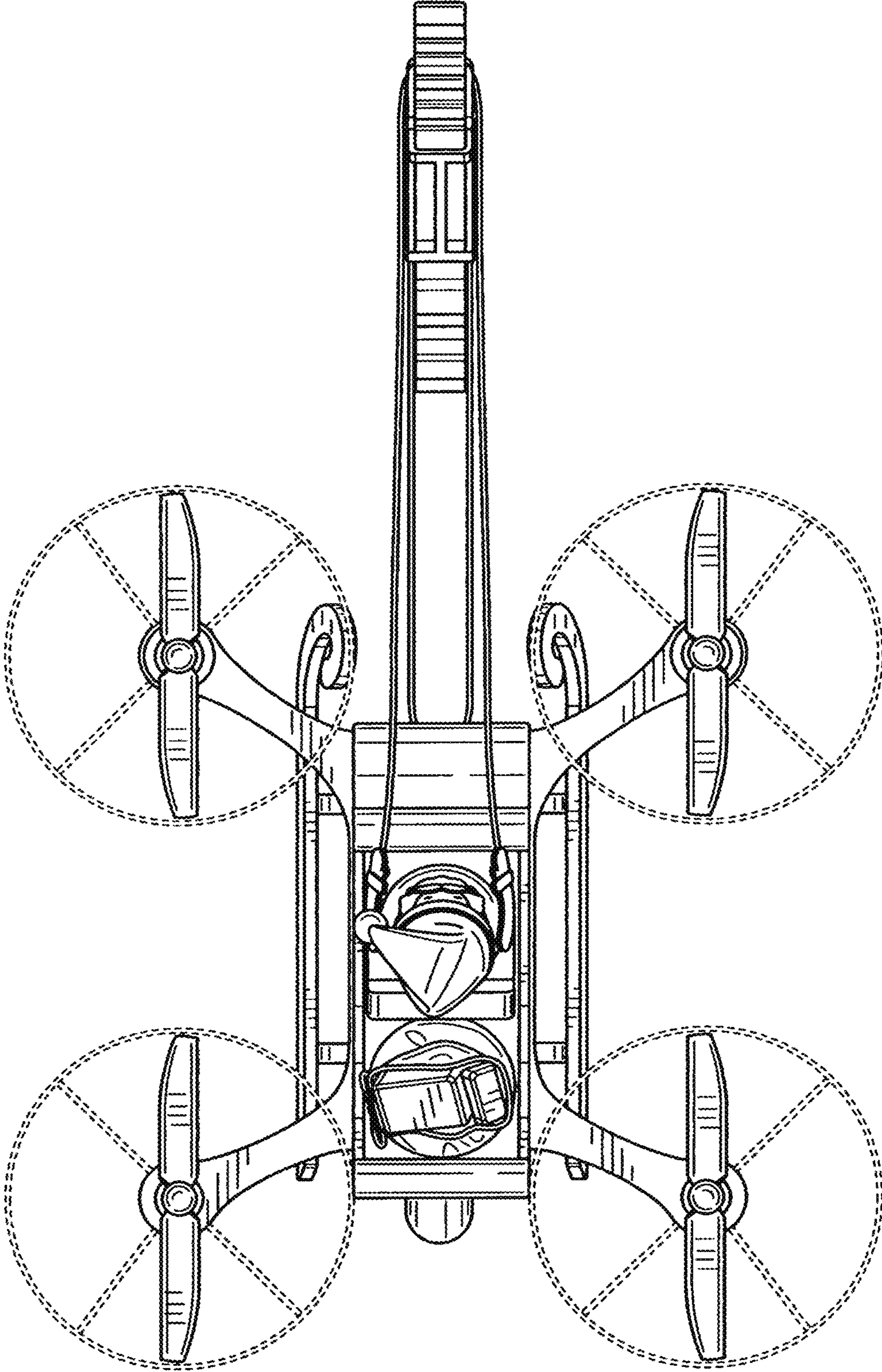


FIG. 7

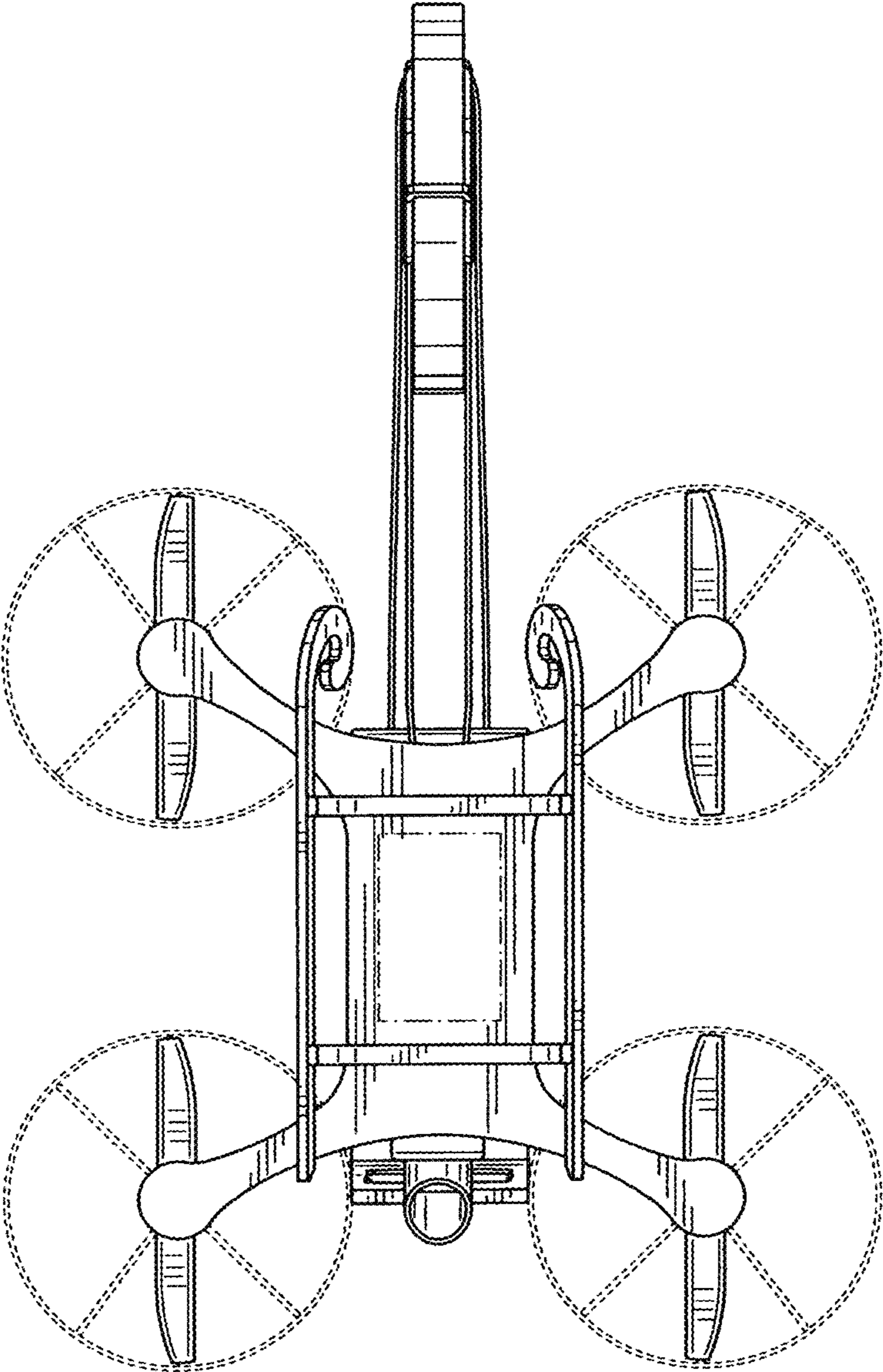


FIG. 8