



US00D800600S

(12) **United States Design Patent**
Fenn et al.

(10) **Patent No.:** **US D800,600 S**

(45) **Date of Patent:** **** Oct. 24, 2017**

(54) **WALL PLANTER**

(71) Applicant: **Glowpear Pty Ltd**, Essendon (AU)

(72) Inventors: **Lloyd Michael Fenn**, Middle Park (AU); **Simon David Lockrey**, Northcote (AU); **Joel David Anderson**, Essendon (AU); **Nathan Anderson Pollock**, Suffolk Park (AU)

(73) Assignee: **GLOWPEAR PTY LTD**, Essendon (AU)

(**) Term: **15 Years**

(21) Appl. No.: **29/544,326**

(22) Filed: **Nov. 2, 2015**

(30) **Foreign Application Priority Data**

May 5, 2015 (AU) 201512300

(51) **LOC (10) Cl.** **11-02**

(52) **U.S. Cl.**
USPC **D11/156**

(58) **Field of Classification Search**
USPC D11/143, 146, 152, 154, 155, 156;
D9/425, 428; D3/304, 306; D32/37;
D34/1
CPC ... A01G 9/00; A01G 9/02; A01G 9/04; A01G
9/10; A01G 9/12; A01G 9/14; A01G
9/16; B65D 33/02
See application file for complete search history.

(56) **References Cited**

U.S. PATENT DOCUMENTS

D245,684 S * 9/1977 Julinot D11/155
D256,344 S * 8/1980 Schneck D11/156

D259,867 S * 7/1981 Kenyon D11/155
D356,754 S * 3/1995 Schmidt D11/143
D385,507 S * 10/1997 Hulsebus D11/156
D530,918 S * 10/2006 Snell D3/304
D612,608 S * 3/2010 Snell D3/304
7,922,001 B2 * 4/2011 Meers B65D 21/045
206/505
D648,652 S * 11/2011 Hawkins D11/155
D688,940 S * 9/2013 Barratt D9/432
D714,184 S * 9/2014 Lucht D11/155
D740,716 S * 10/2015 Fenn D11/156
D748,916 S * 2/2016 Nilsson D3/302
D751,349 S * 3/2016 Carlson D7/629
2013/0232872 A1 * 9/2013 Bryan, III A01G 31/02
47/62 C

* cited by examiner

Primary Examiner — Rosemary K Tarcza

Assistant Examiner — Alison Ofstun

(74) *Attorney, Agent, or Firm* — Sheridan Ross PC

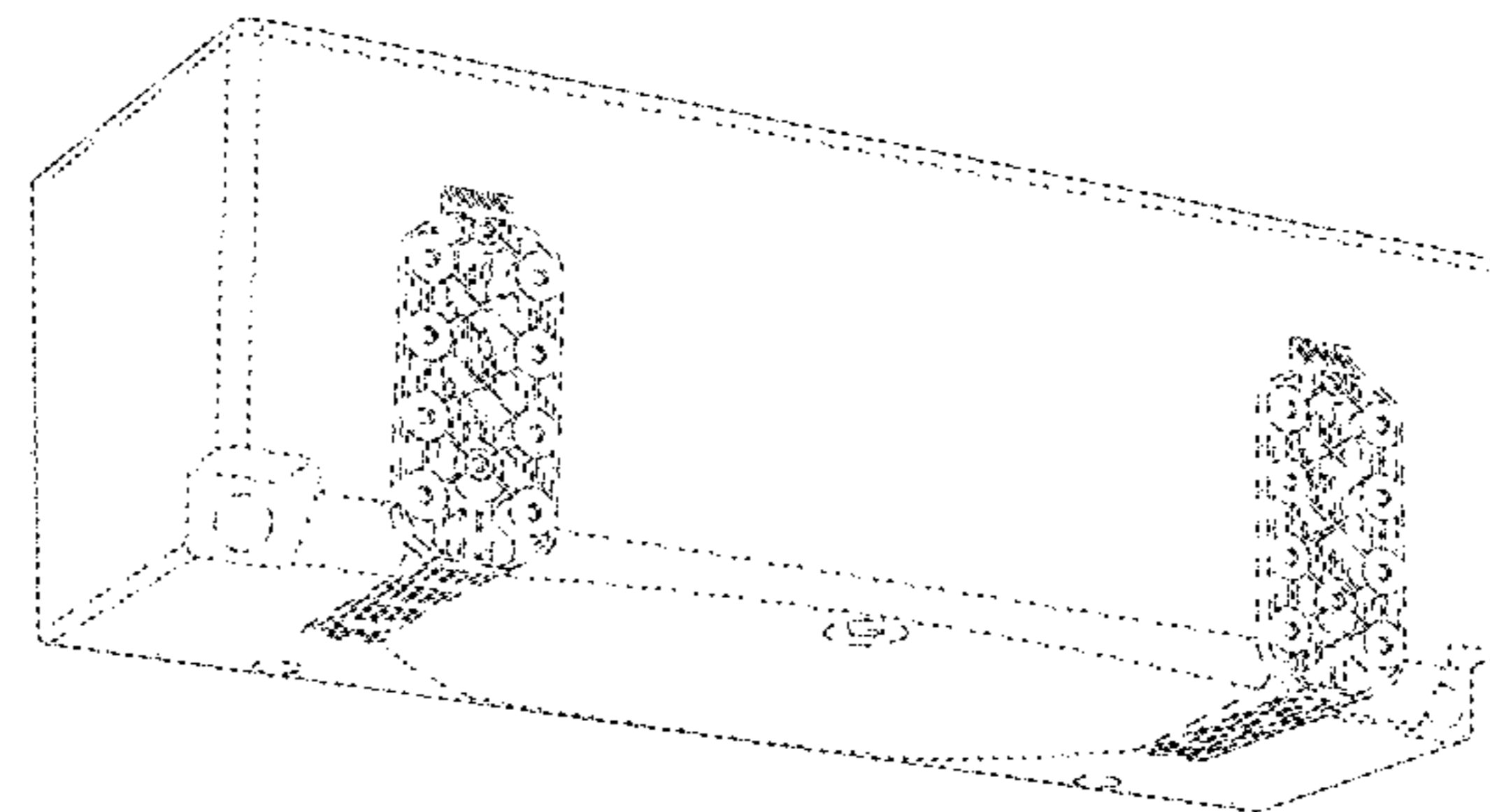
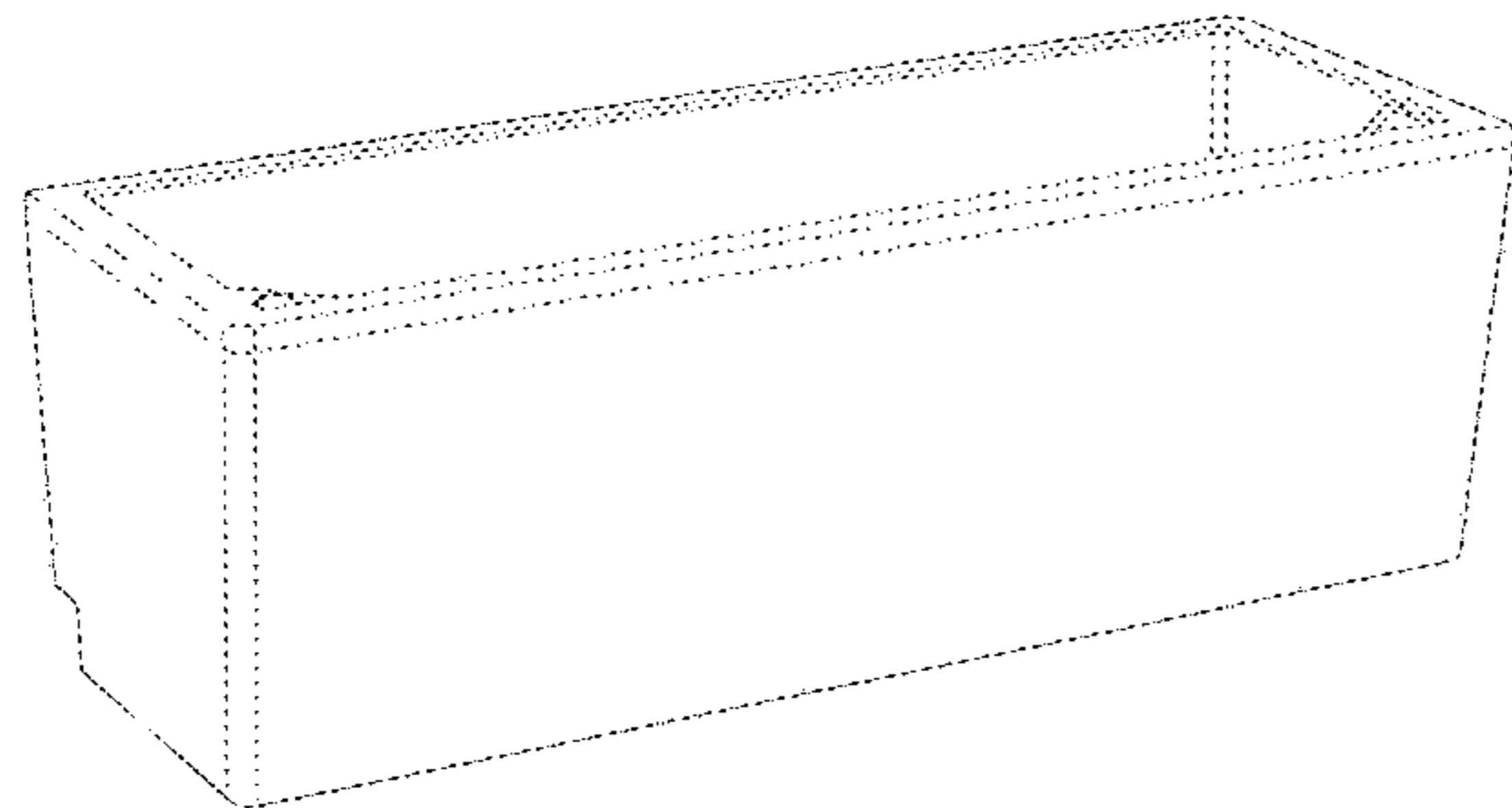
(57) **CLAIM**

The ornamental design for a wall planter, as shown and described.

DESCRIPTION

FIG. 1 is a front perspective view of a wall planter showing our new design;
FIG. 2 is rear perspective view of FIG. 1;
FIG. 3 is top perspective view of FIG. 1;
FIG. 4 is a front elevation view of FIG. 1;
FIG. 5 is top plan view of FIG. 1;
FIG. 6 is a bottom plan view of FIG. 1;
FIG. 7 is a right side view of FIG. 1; and,
FIG. 8 is a left side view of FIG. 1.
The broken lines shown in the figures illustrate environmental subject matter and portions of the article which form no part of the claimed design.

1 Claim, 5 Drawing Sheets



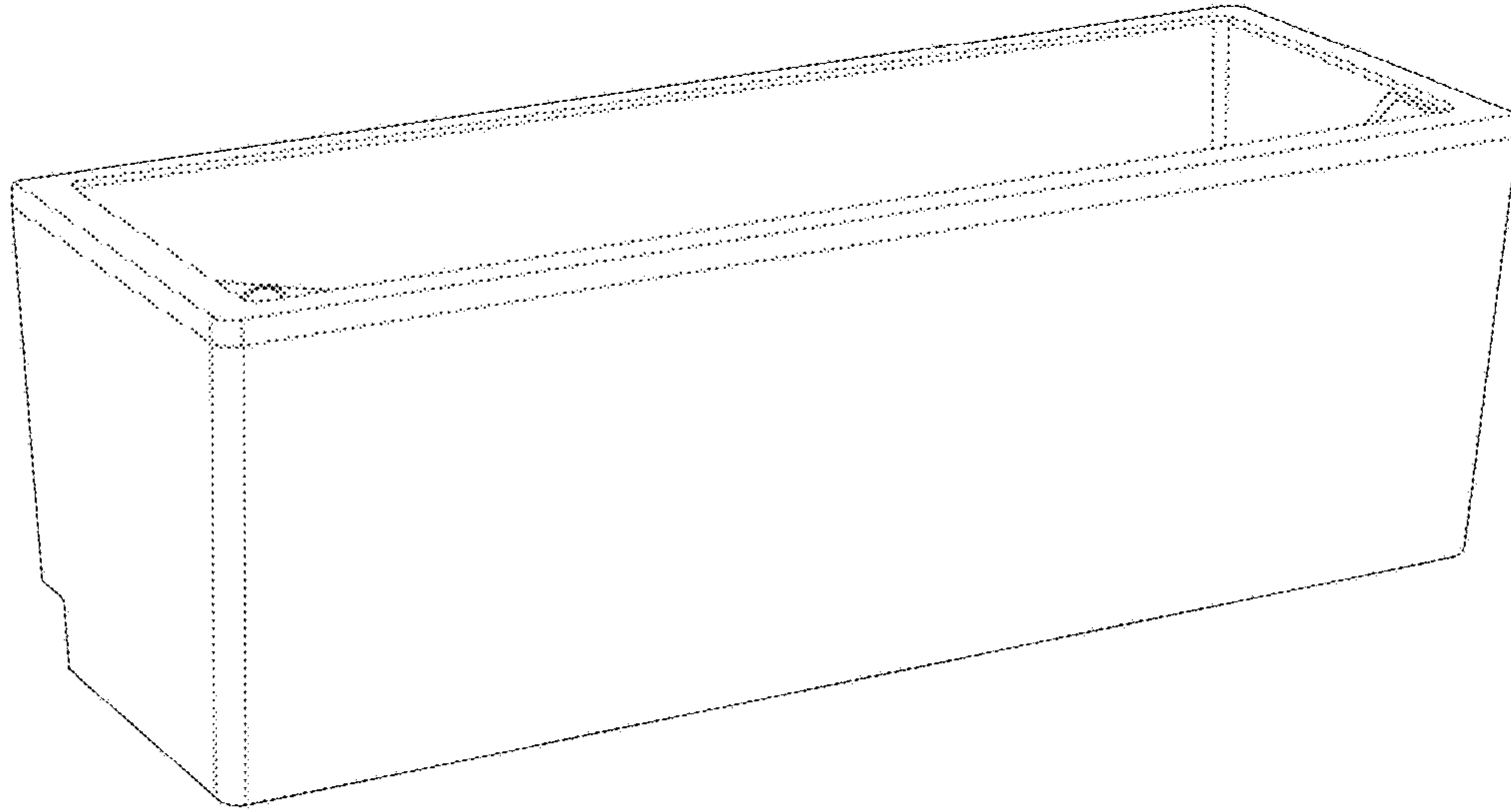


FIG. 1

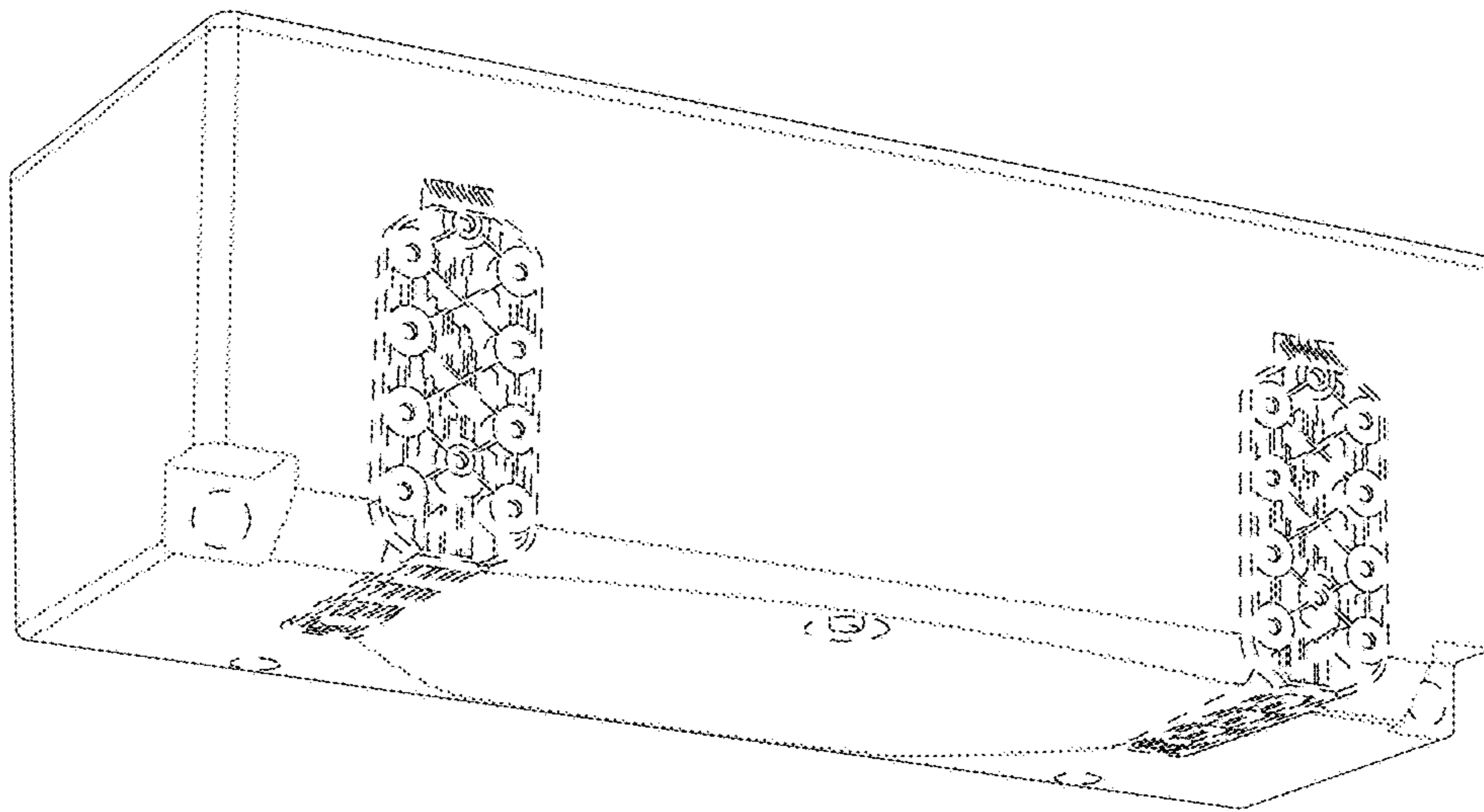


FIG. 2

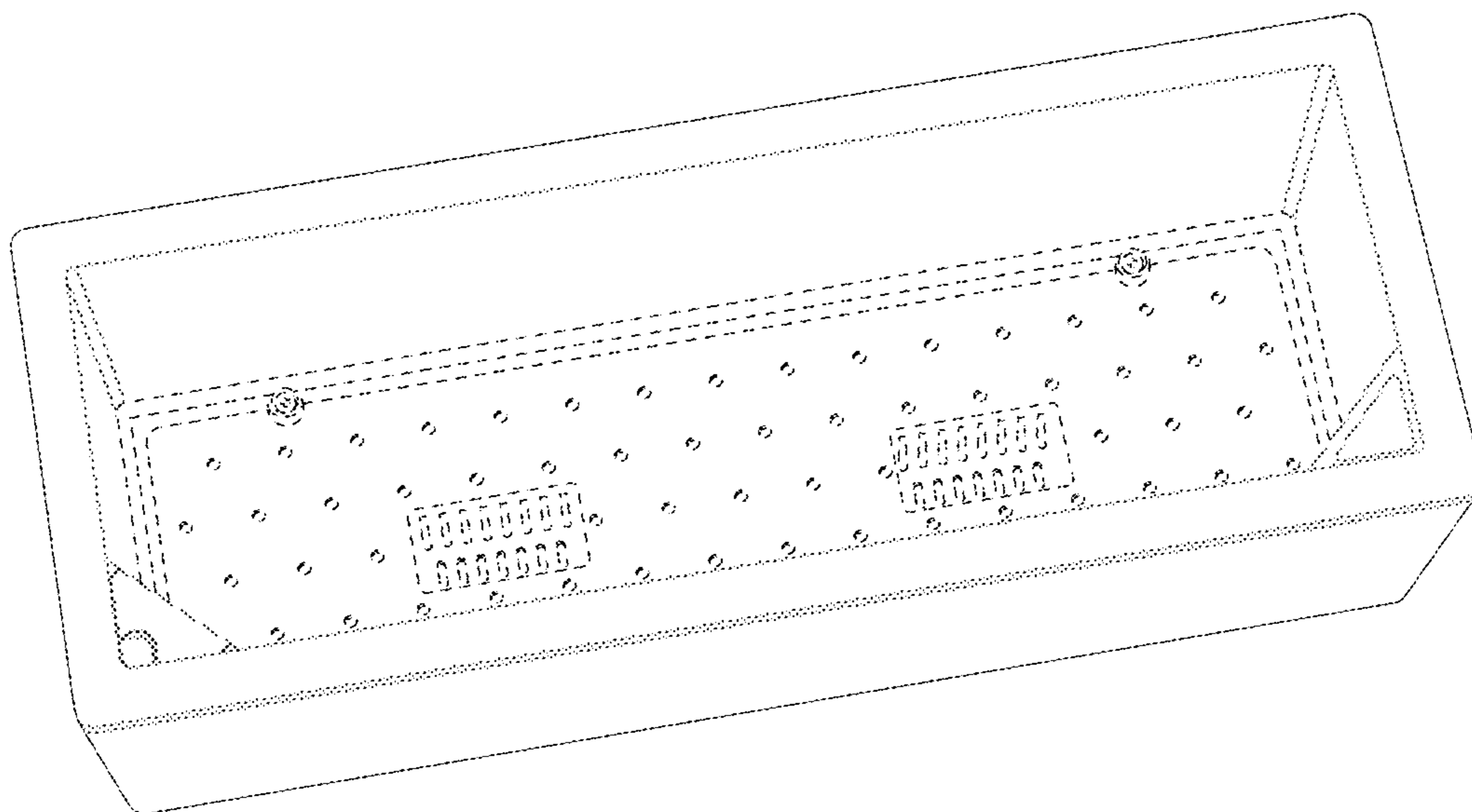


FIG.3



FIG. 4

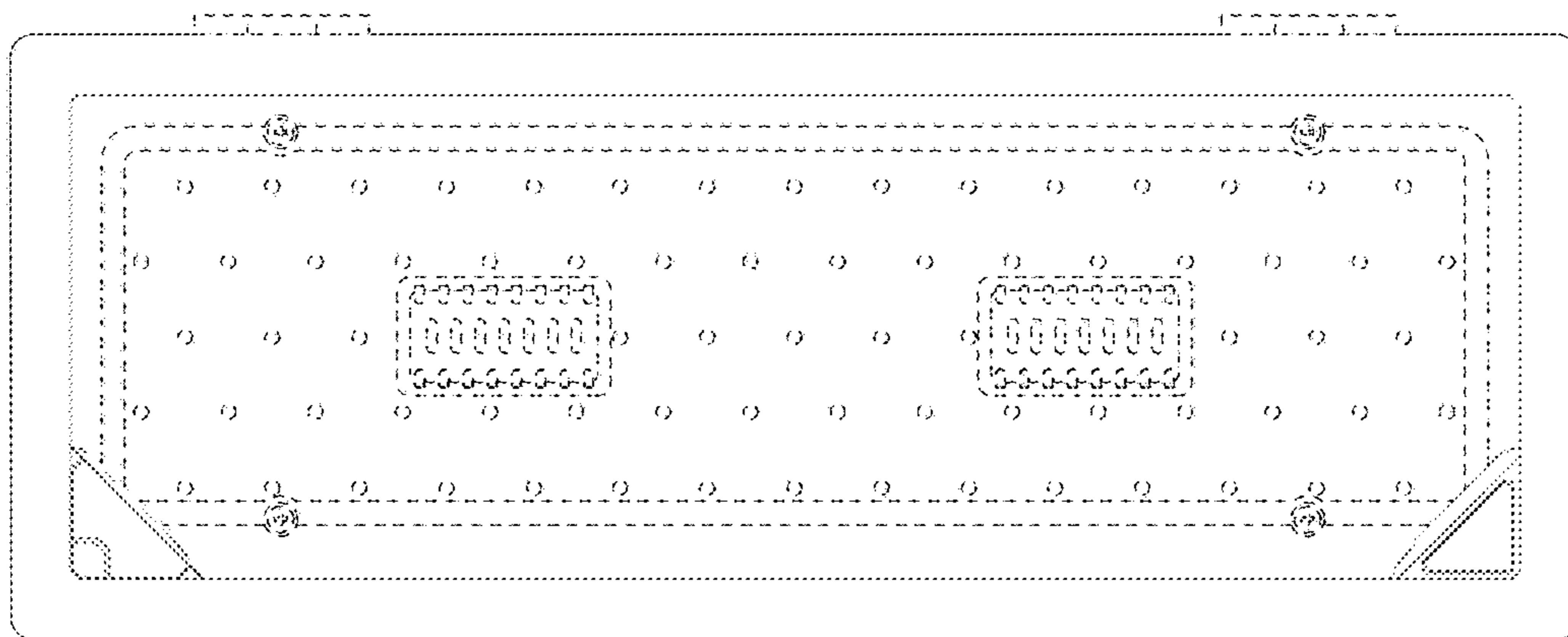


FIG. 5

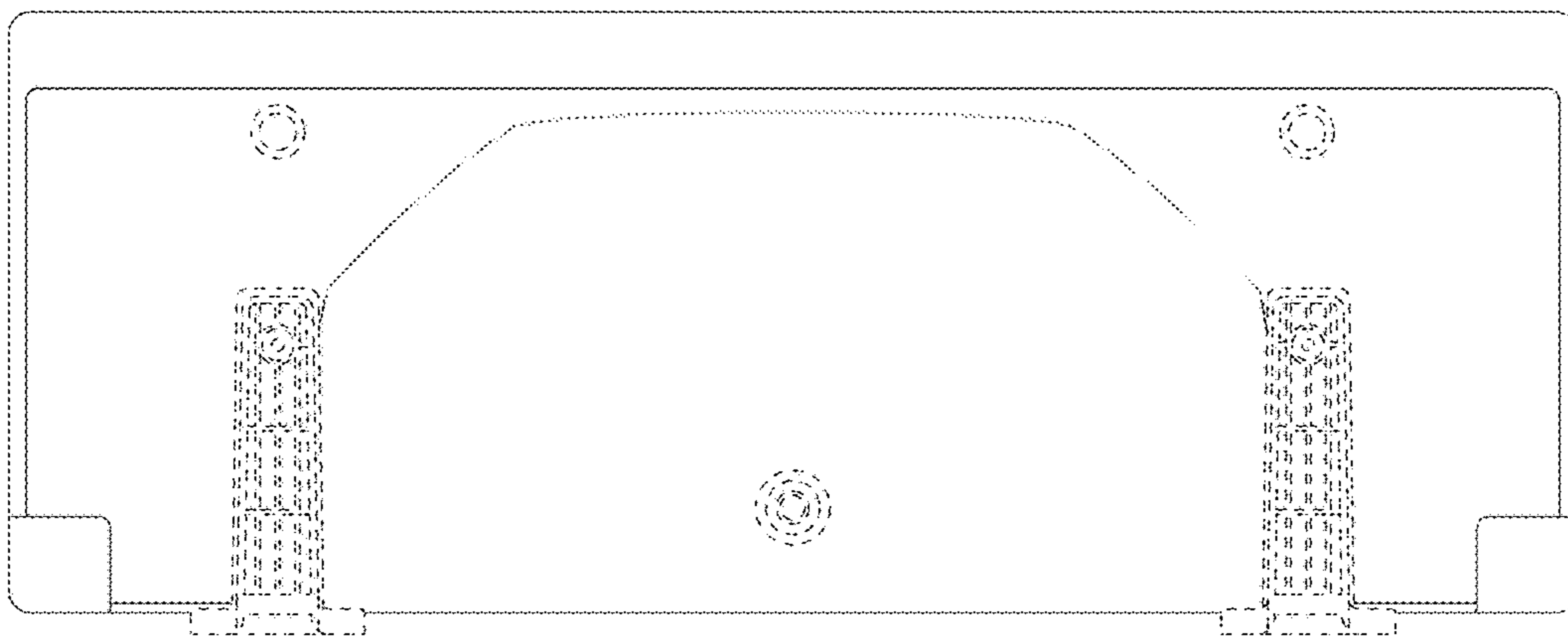


FIG.6

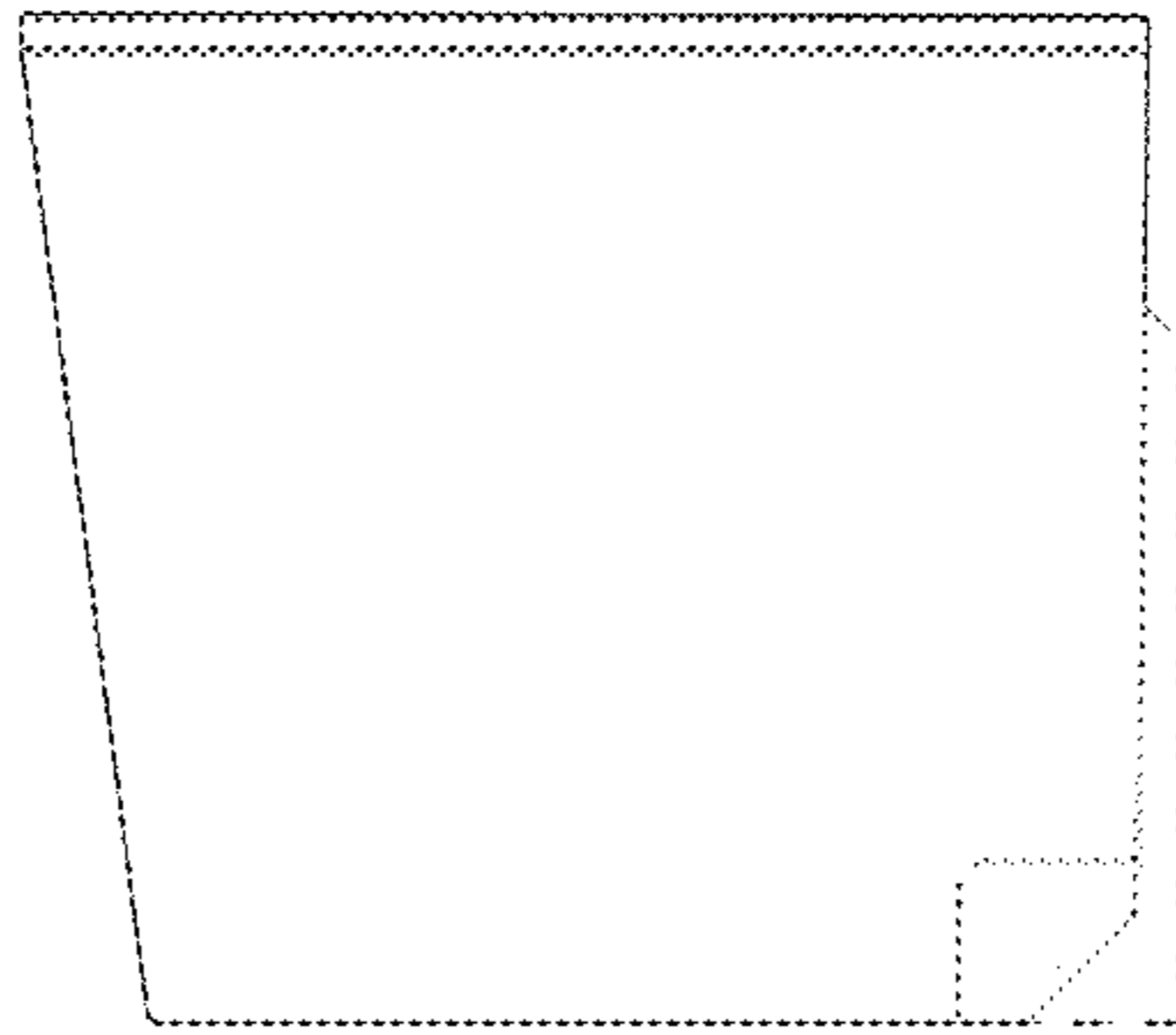


FIG. 7

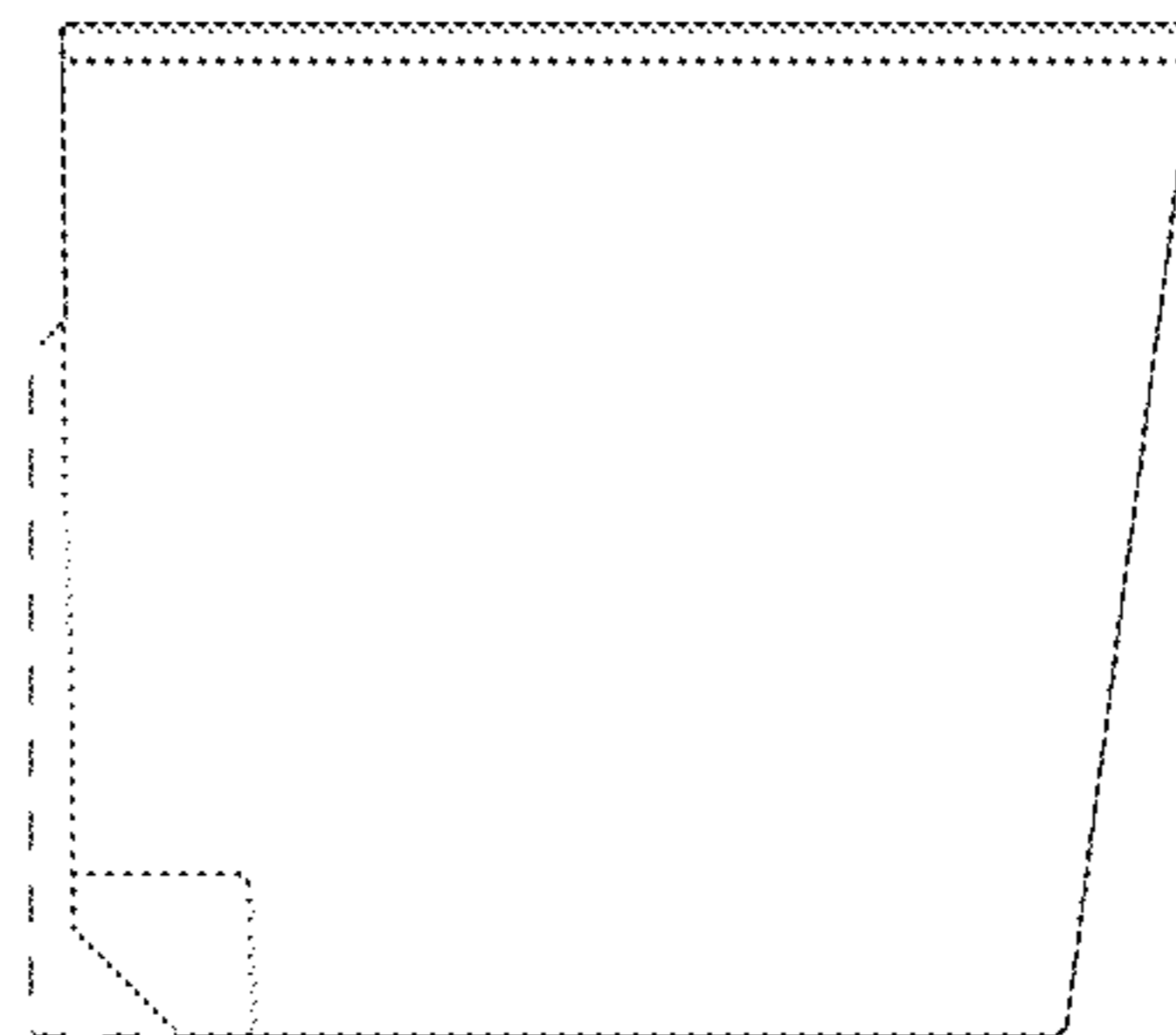


FIG. 8