



US00D800597S

(12) **United States Design Patent** (10) **Patent No.:** **US D800,597 S**
Dominguez (45) **Date of Patent:** **** Oct. 24, 2017**

(54) **WATCH HOLDER FOR PENDANT** 5,390,510 A * 2/1995 Tirio-Cloonan A44C 15/002
132/294
(71) Applicant: **HARRY WINSTON SA,** D363,537 S * 10/1995 Moody D11/103
Plan-les-Ouates (CH) D390,149 S * 2/1998 Shenhav D11/56
D397,307 S * 8/1998 Shenhav D11/79
(72) Inventor: **Emmanuelle Dominguez,** Viry (FR) D397,309 S * 8/1998 Shenhav D11/81
D397,638 S * 9/1998 Shenhav D11/81
(73) Assignee: **HARRY WINSTON SA,** D542,165 S * 5/2007 Ayr-Popowski D10/106.1
Plan-les-Ouates (CH) D575,666 S * 8/2008 Mudrick D11/103
D575,667 S * 8/2008 Mudrick D11/103
D592,408 S * 5/2009 Kuchinsky D6/308
D604,195 S * 11/2009 Overson D11/103
(**) Term: **15 Years**

(21) Appl. No.: **29/576,827**

(22) Filed: **Sep. 7, 2016**

(30) **Foreign Application Priority Data**

Mar. 7, 2016 (WO) DM/089 704

(51) **LOC (10) Cl.** **11-01**

(52) **U.S. Cl.**
USPC **D11/79**

(58) **Field of Classification Search**
USPC D11/1-26, 79-86; D10/32, 38, 30, 31,
D10/33, 37, 40
CPC A44C 5/00; A44C 5/0007; A44C 5/0015;
A44C 25/00; A44C 25/001; A44C
25/002; A44C 25/004; A44C 25/007;
A44C 1/00; A61B 5/02405
See application file for complete search history.

(56) **References Cited**

U.S. PATENT DOCUMENTS

D30,646 S * 5/1899 Graff D11/80
D81,830 S * 8/1930 Cohn D10/33
D217,783 S * 6/1970 Parrish D11/83
D263,571 S * 3/1982 Beier D11/103
5,383,343 A * 1/1995 Thach A44C 25/001
63/1.12

OTHER PUBLICATIONS

[Online] <http://housekihiroba.jp.e.nh.hp.transer.com/shop/g/gHW188/>. Retrieved Jul. 29, 2017.*

* cited by examiner

Primary Examiner — Melanie Pellegrini

(74) *Attorney, Agent, or Firm* — Donald J. Ranft; Collen

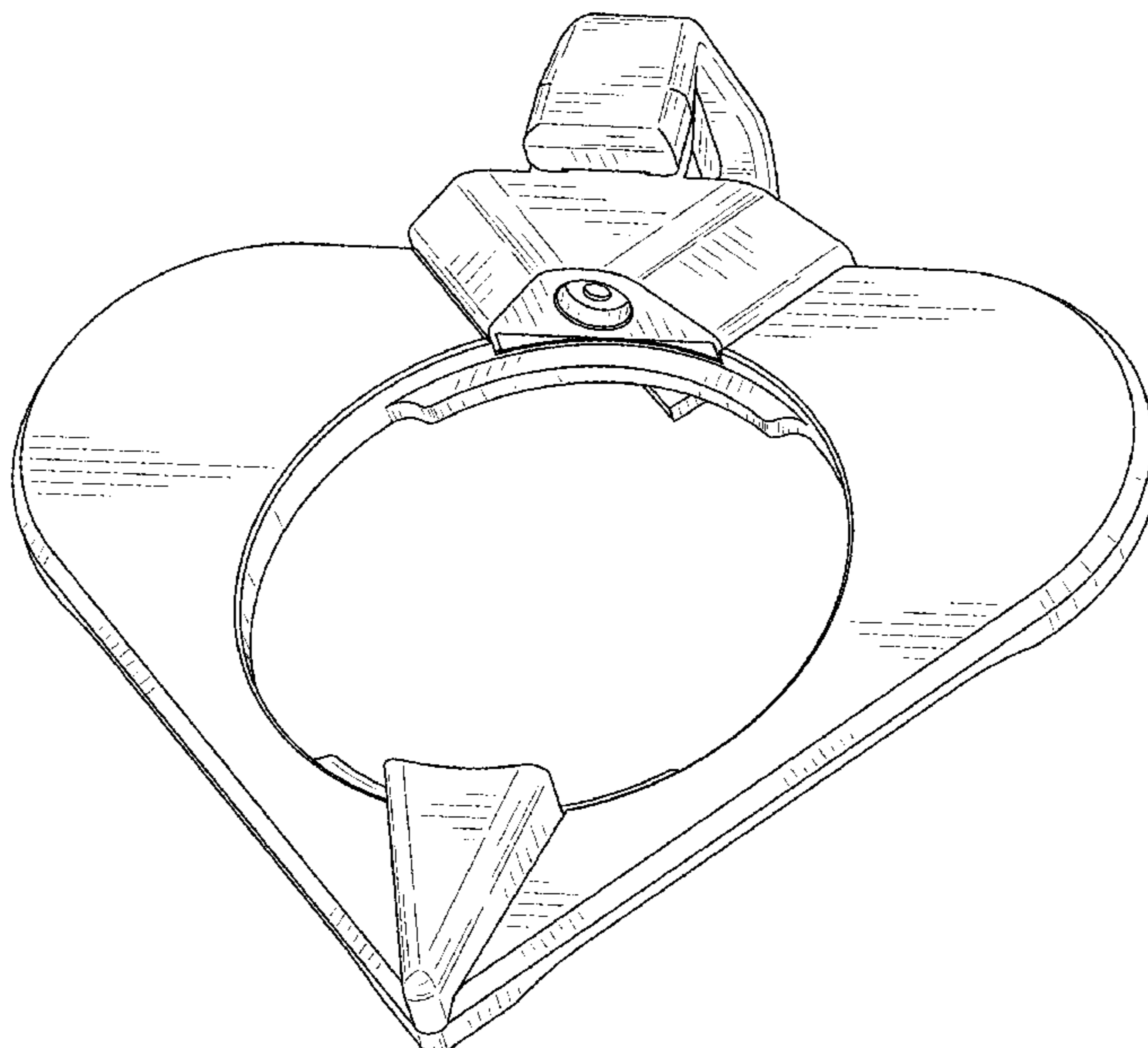
(57) **CLAIM**

The ornamental design for a watch holder for pendant, as shown.

DESCRIPTION

FIG. 1 is a front right perspective view of a watch holder for pendant showing my new design;
FIG. 2 is a front view thereof;
FIG. 3 is a rear view thereof;
FIG. 4 is a left side view thereof;
FIG. 5 is a right side view thereof;
FIG. 6 is a top view thereof;
FIG. 7 is a bottom view thereof; and,
FIG. 8 is a rear left perspective view thereof.

1 Claim, 6 Drawing Sheets



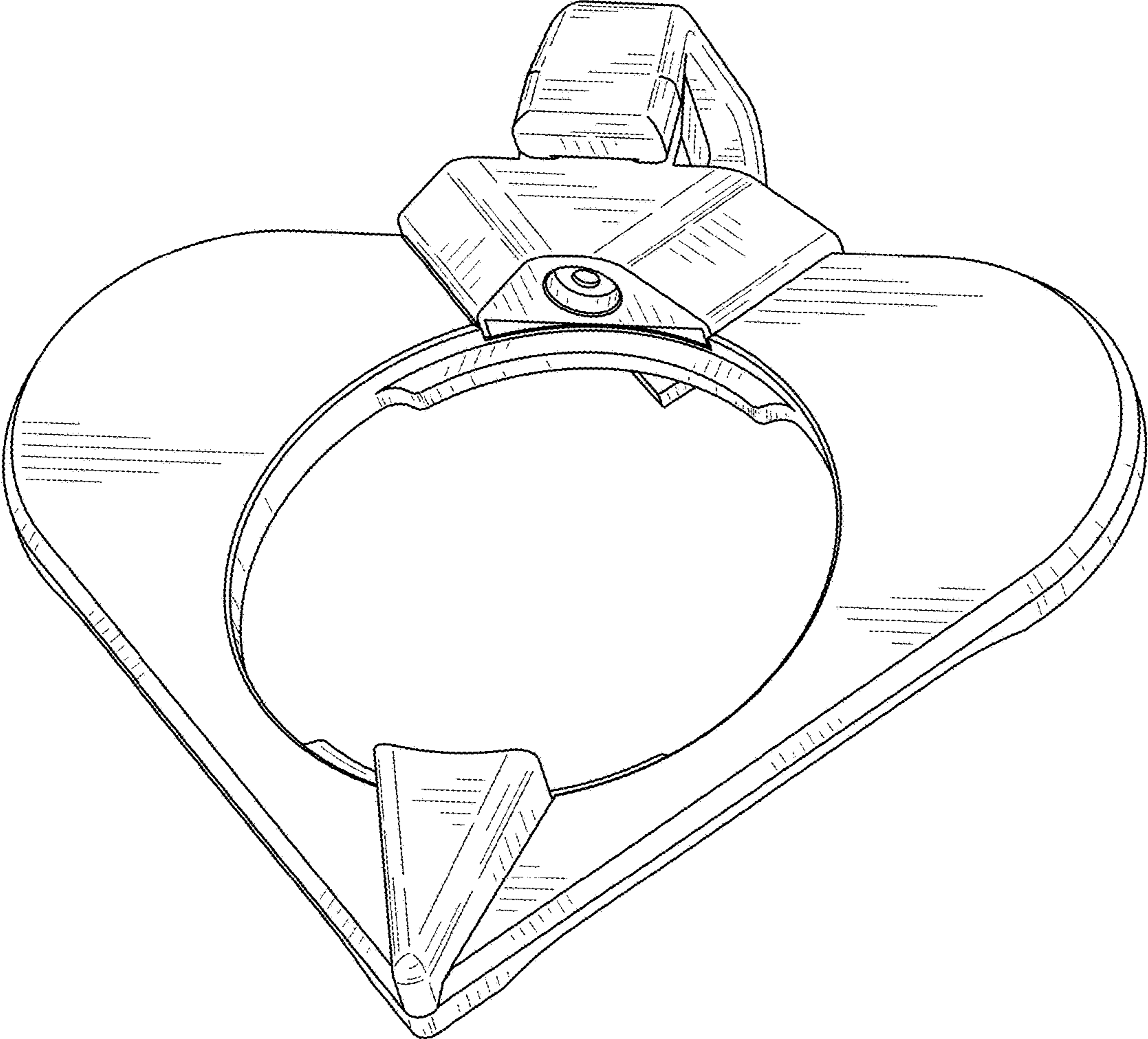


FIG. 1

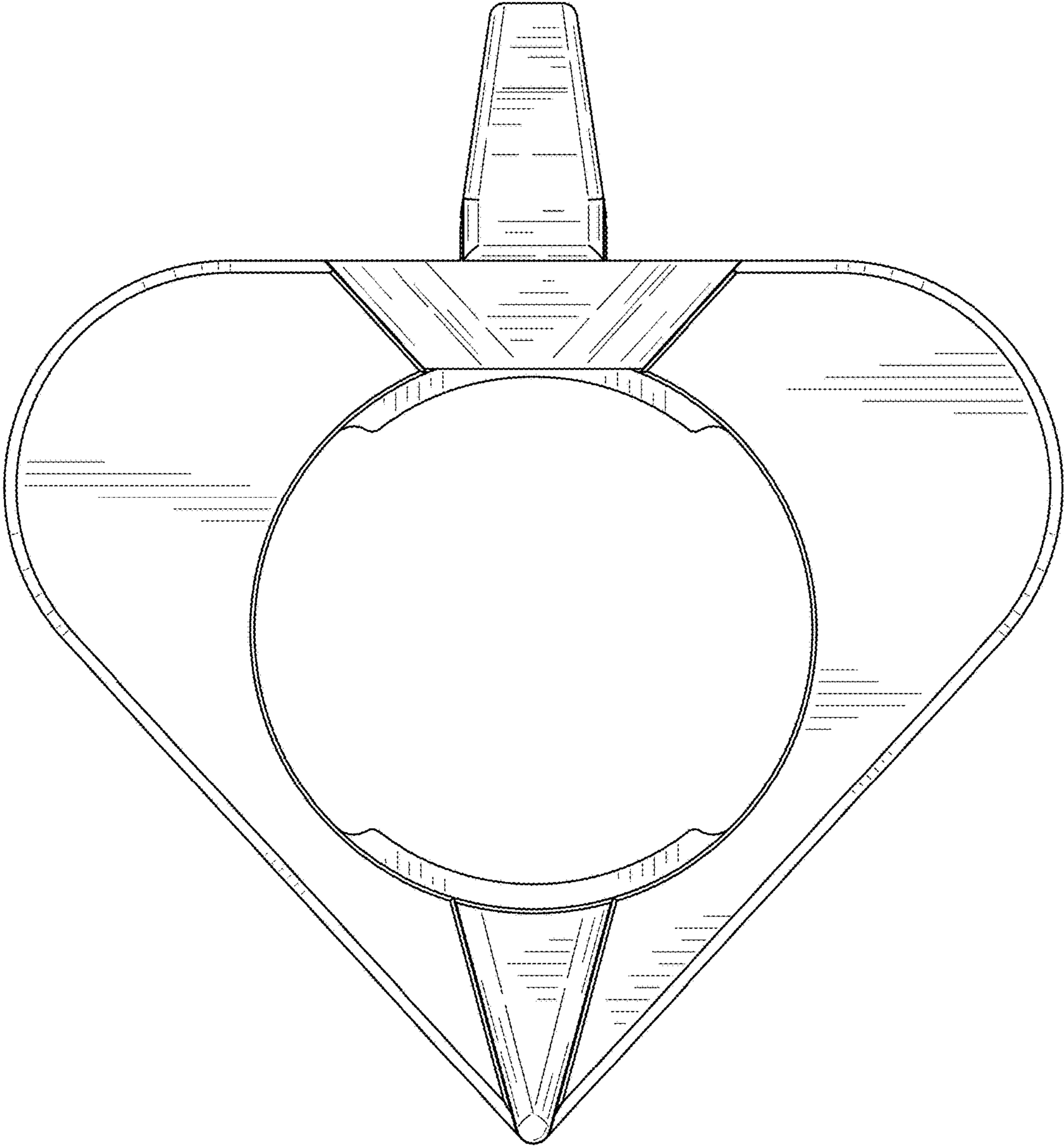


FIG. 2

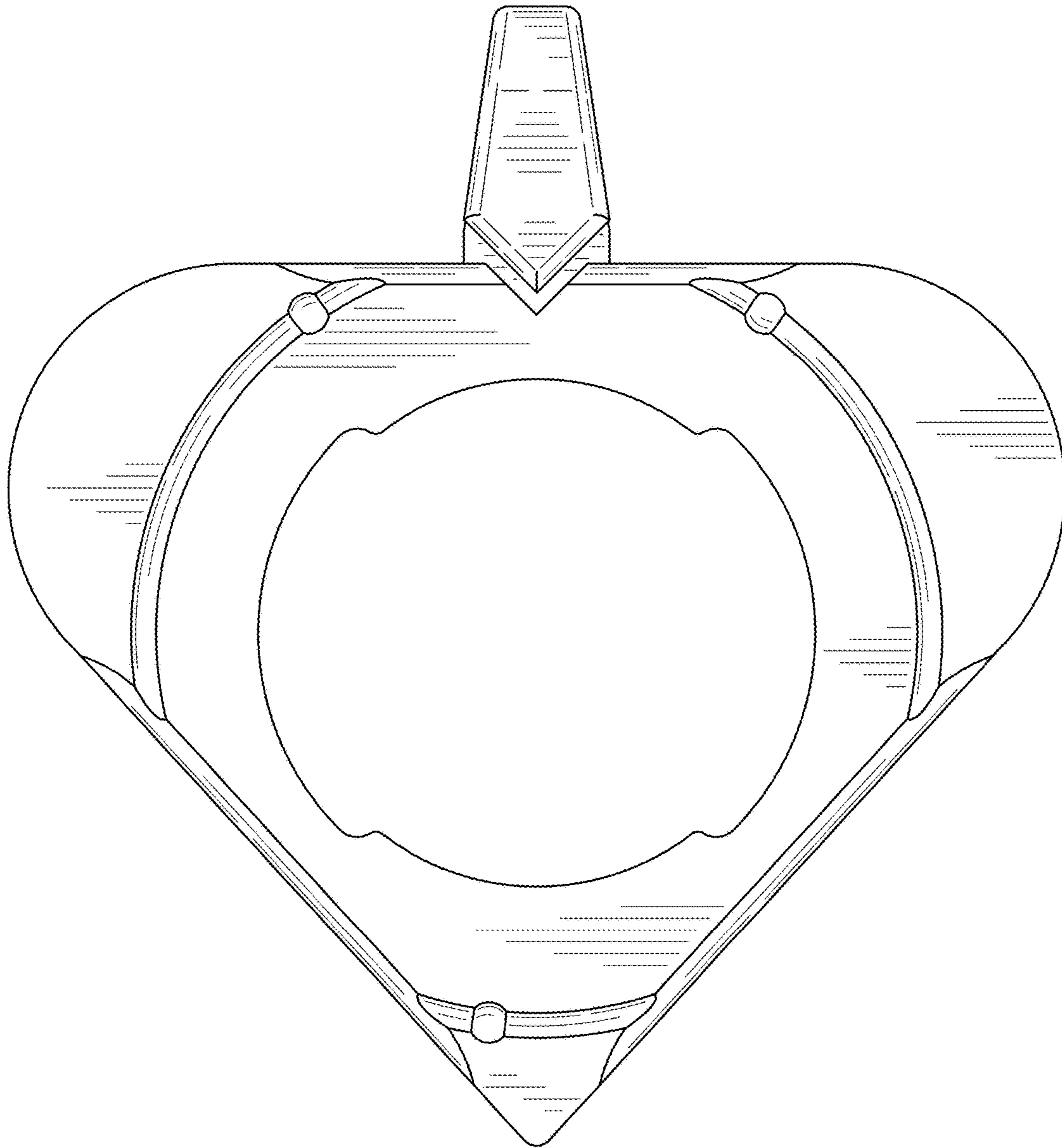


FIG. 3

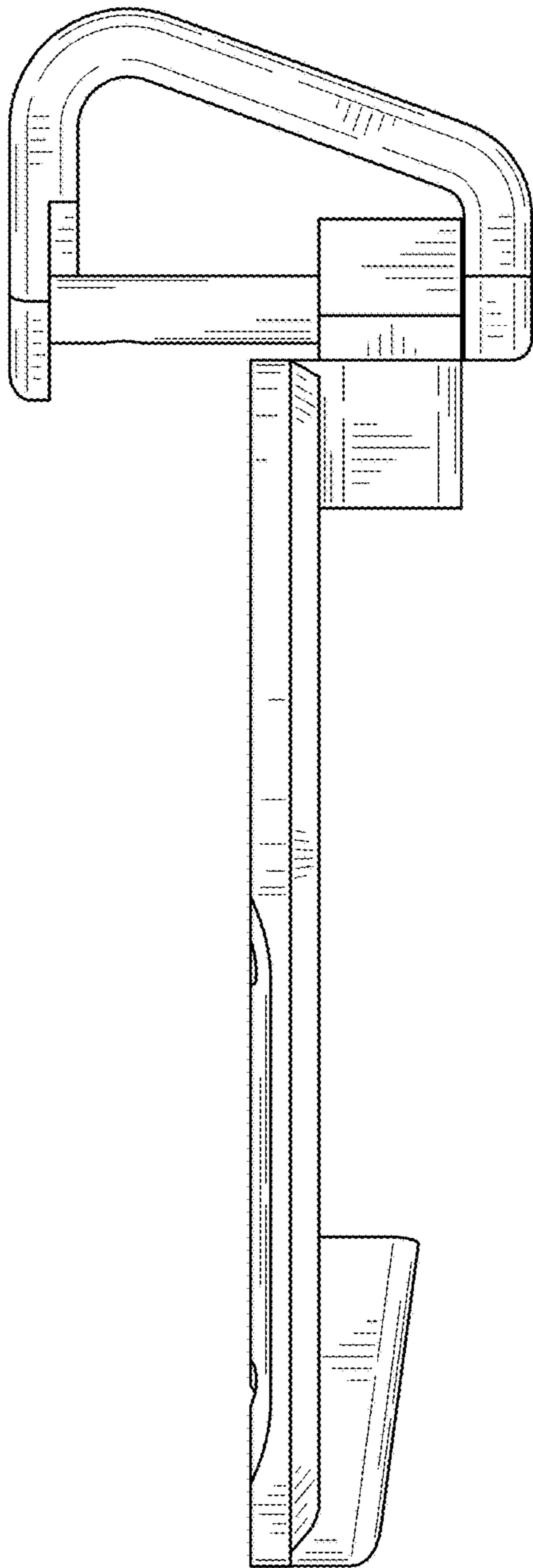


FIG. 4

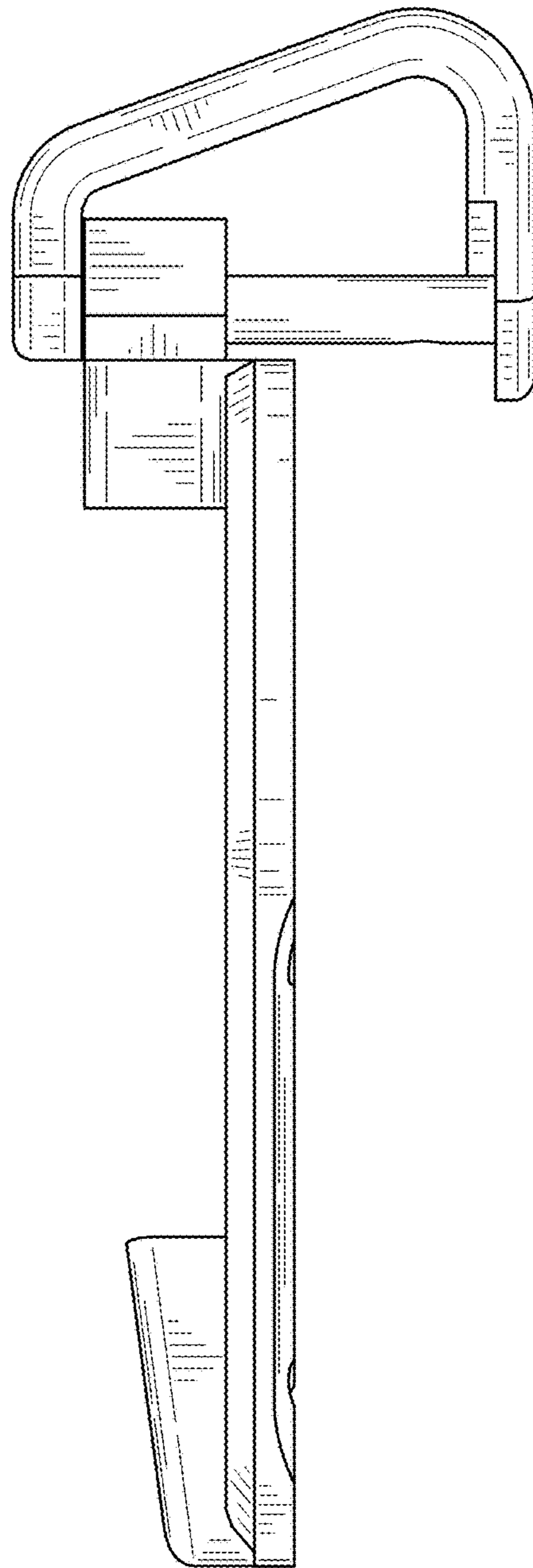


FIG. 5

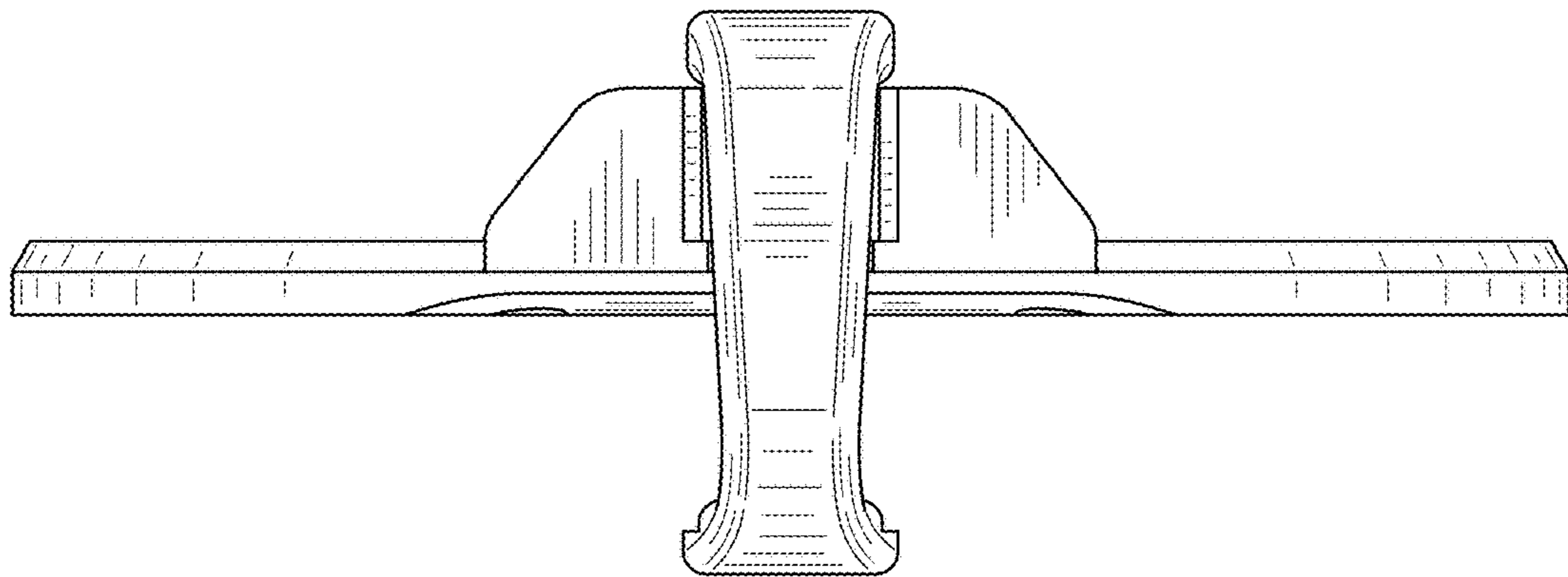


FIG. 6

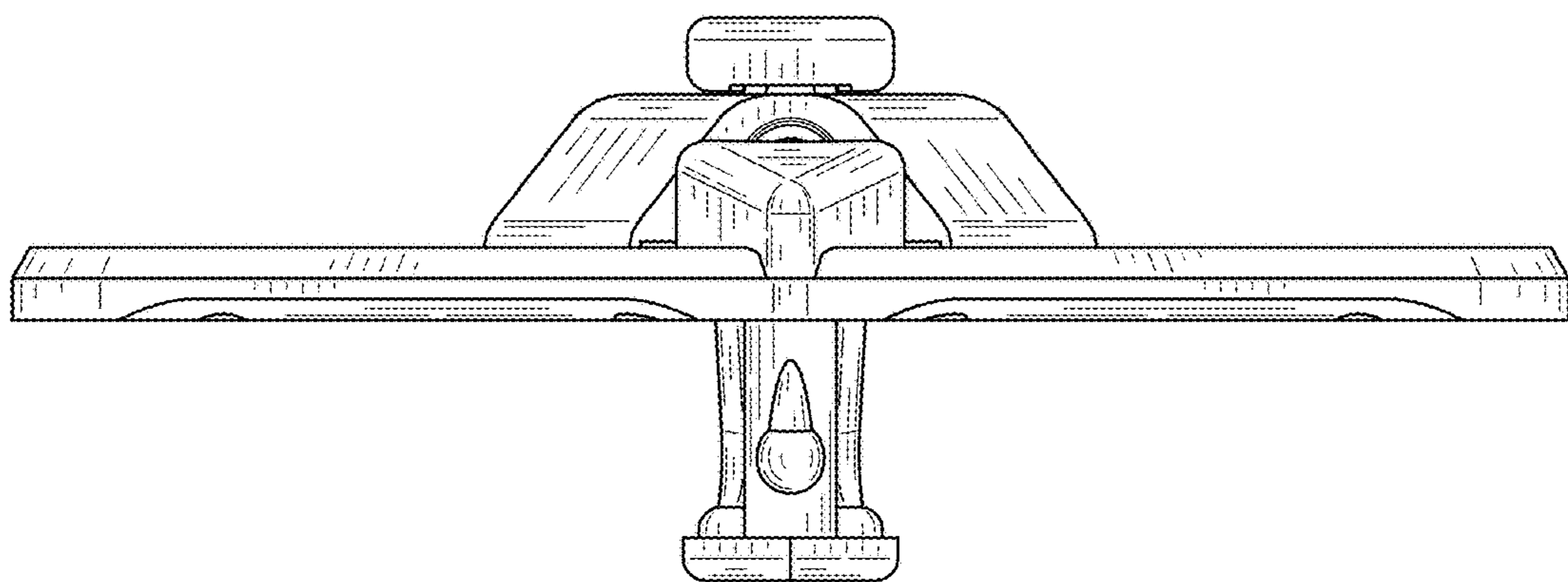


FIG. 7

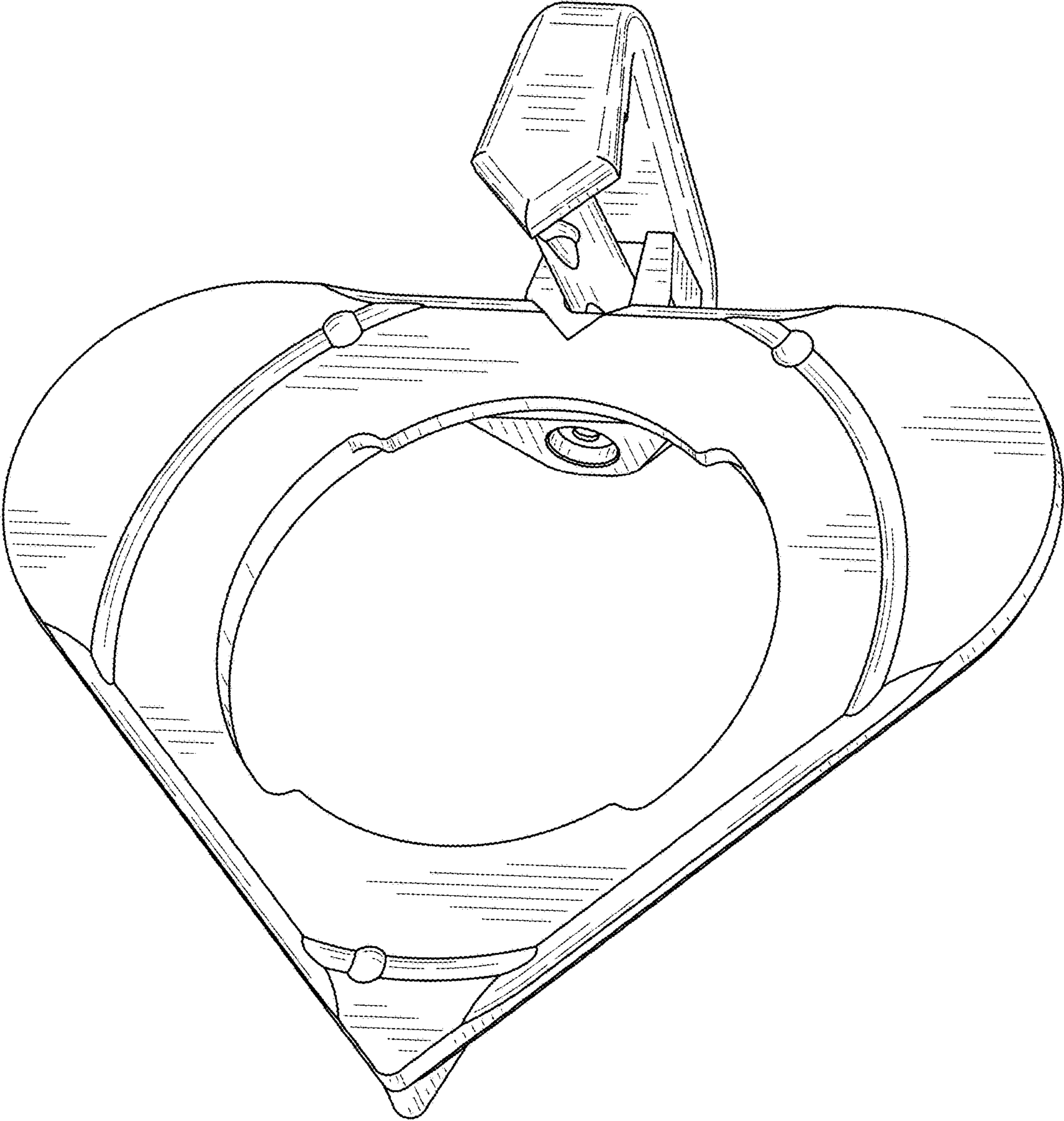


FIG. 8