



US00D800595S

(12) **United States Design Patent** (10) **Patent No.:** **US D800,595 S**
Amfitheatrof et al. (45) **Date of Patent:** **** *Oct. 24, 2017**

(54) **JEWELRY**

F16G 11/00; A63F 9/10; B05B 15/045;
B43L 13/208; G09B 1/30; B25H 1/08;
H01R 13/447

(71) Applicant: **Tiffany and Company**, New York, NY
(US)

See application file for complete search history.

(72) Inventors: **Francesca Amfitheatrof**, New York,
NY (US); **Michal Dayan**, Brooklyn,
NY (US); **Nina Martensson**, Juoksengi
(SE); **Emily Morrow**, New York, NY
(US); **Cary James**, Long Island City,
NY (US)

(56) **References Cited**

U.S. PATENT DOCUMENTS

4,888,797	A *	12/1989	Strait, Jr.	H01R 13/447 361/627
D372,879	S *	8/1996	Partridge	D11/4
D440,516	S *	4/2001	Siemon	D11/26
D479,488	S *	9/2003	Stewart-Stand	D11/226
D533,802	S *	12/2006	Thompson	D11/34
D561,643	S *	2/2008	Bruni	D11/222
D565,450	S *	4/2008	Lebail	D11/27

(Continued)

Primary Examiner — Ian Simmons

Assistant Examiner — Mark Cavanna

(74) *Attorney, Agent, or Firm* — Fross Zelnick Lehrmann
& Zissu P.C.; Charles T. J. Weigell

(73) Assignee: **Tiffany and Company**, New York, NY
(US)

(*) Notice: This patent is subject to a terminal dis-
claimer.

(**) Term: **15 Years**

(21) Appl. No.: **29/564,066**

(22) Filed: **May 10, 2016**

(57) **CLAIM**

The ornamental design for jewelry, as shown and described.

Related U.S. Application Data

(62) Division of application No. 29/502,725, filed on Sep.
18, 2014.

(51) **LOC (10) Cl.** **02-07**

(52) **U.S. Cl.**
USPC **D11/4; D11/229**

(58) **Field of Classification Search**
USPC D11/200–217, 222–230, 30, 3, 4, 26, 27,
D11/14, 34, 60–61, 90, 157, 101, 103;
24/41.1–48, 66.4–66.6, 97, 100, 101 R,
24/102 PL; 63/20; D8/382–383;
362/103; 361/627; 434/160; D19/59;
101/128.1, 127; 428/3; D34/35;
D21/479–480; 269/99

CPC A44C 1/00; A43B 1/0036; A44B 5/00;
A44B 19/24; A44B 5/02; A44B 6/00;
A44B 5/002; A44B 3/02; A41F 17/00;

DESCRIPTION

FIG. 1 is a front perspective view of jewelry showing our
new design;

FIG. 2 is a front view of the jewelry shown in FIG. 1;

FIG. 3 is a rear view of the jewelry shown in FIG. 1;

FIG. 4 is a left side view of the jewelry shown in FIG. 1;

FIG. 5 is a right side view of the jewelry shown in FIG. 1;

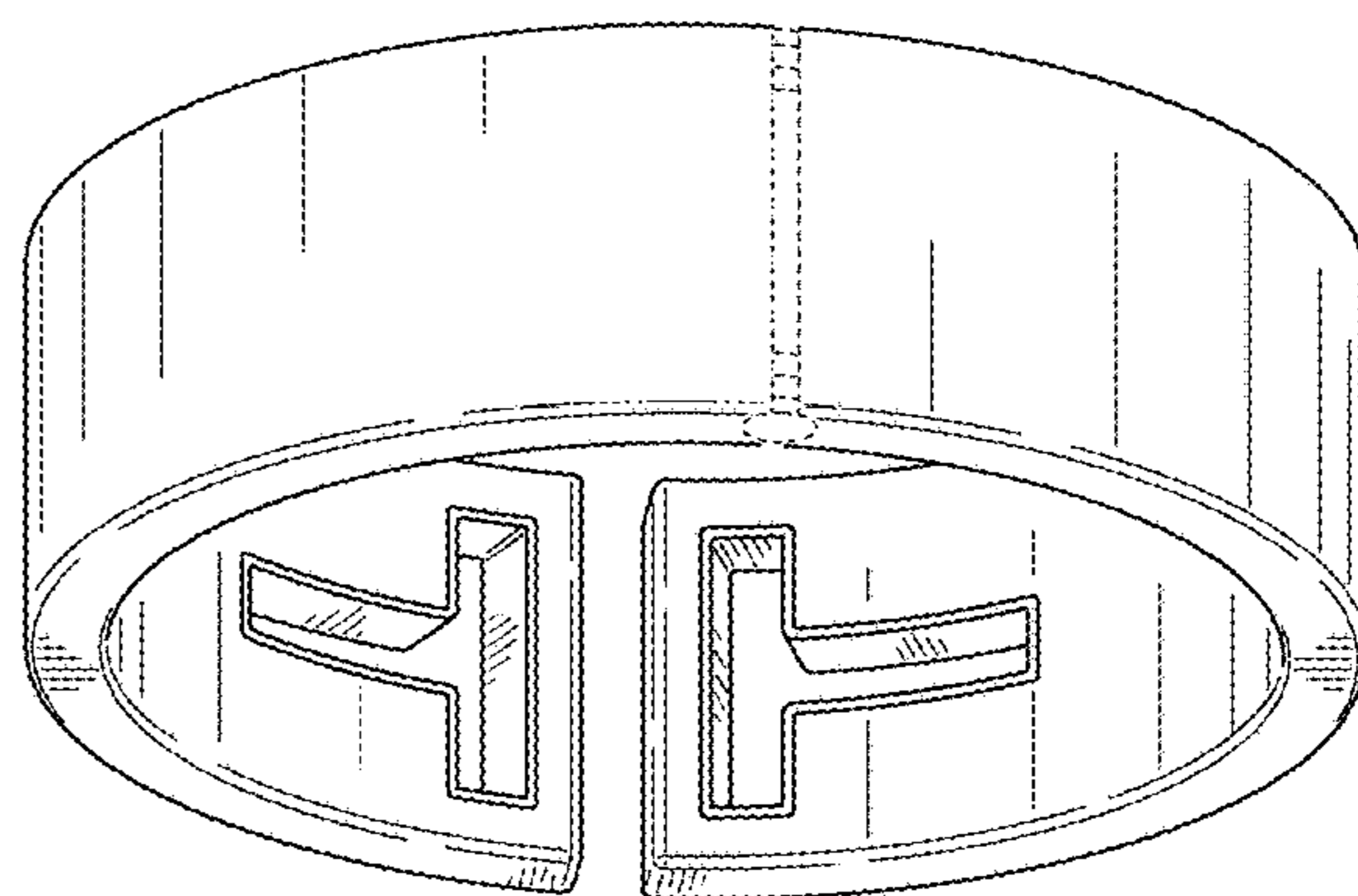
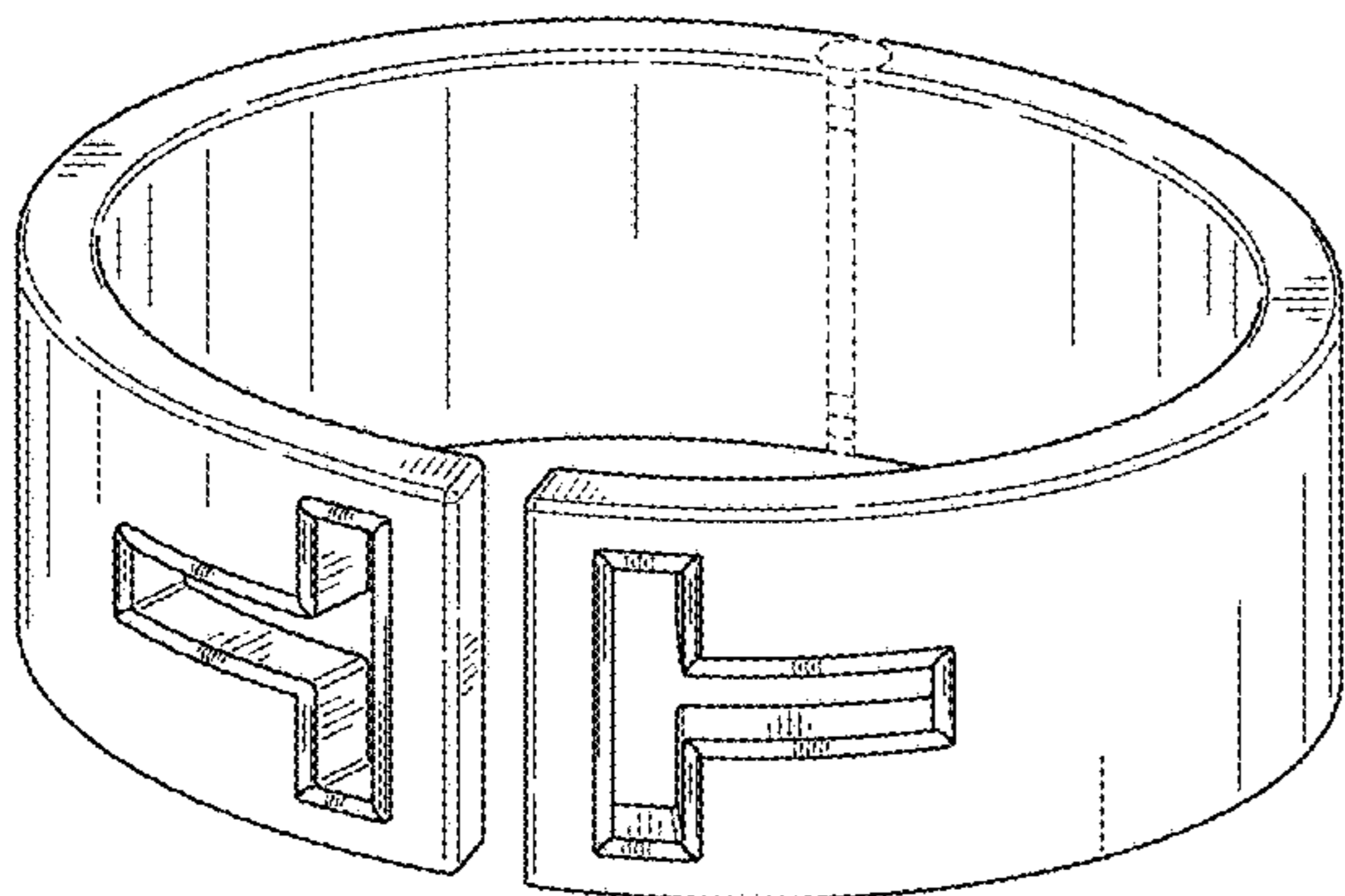
FIG. 6 is a top view of the jewelry shown in FIG. 1;

FIG. 7 is a bottom view of the jewelry shown in FIG. 1; and,

FIG. 8 is a bottom perspective view of the jewelry shown in
FIG. 1.

The broken line depicting the hinge, pin, and portions of the
jewelry shows unclaimed subject matter.

1 Claim, 6 Drawing Sheets



(56)

References Cited

U.S. PATENT DOCUMENTS

D567,143 S * 4/2008 Nicol D11/222
D704,088 S * 5/2014 Farris D11/26
D718,171 S * 11/2014 Fakesch D11/3

* cited by examiner

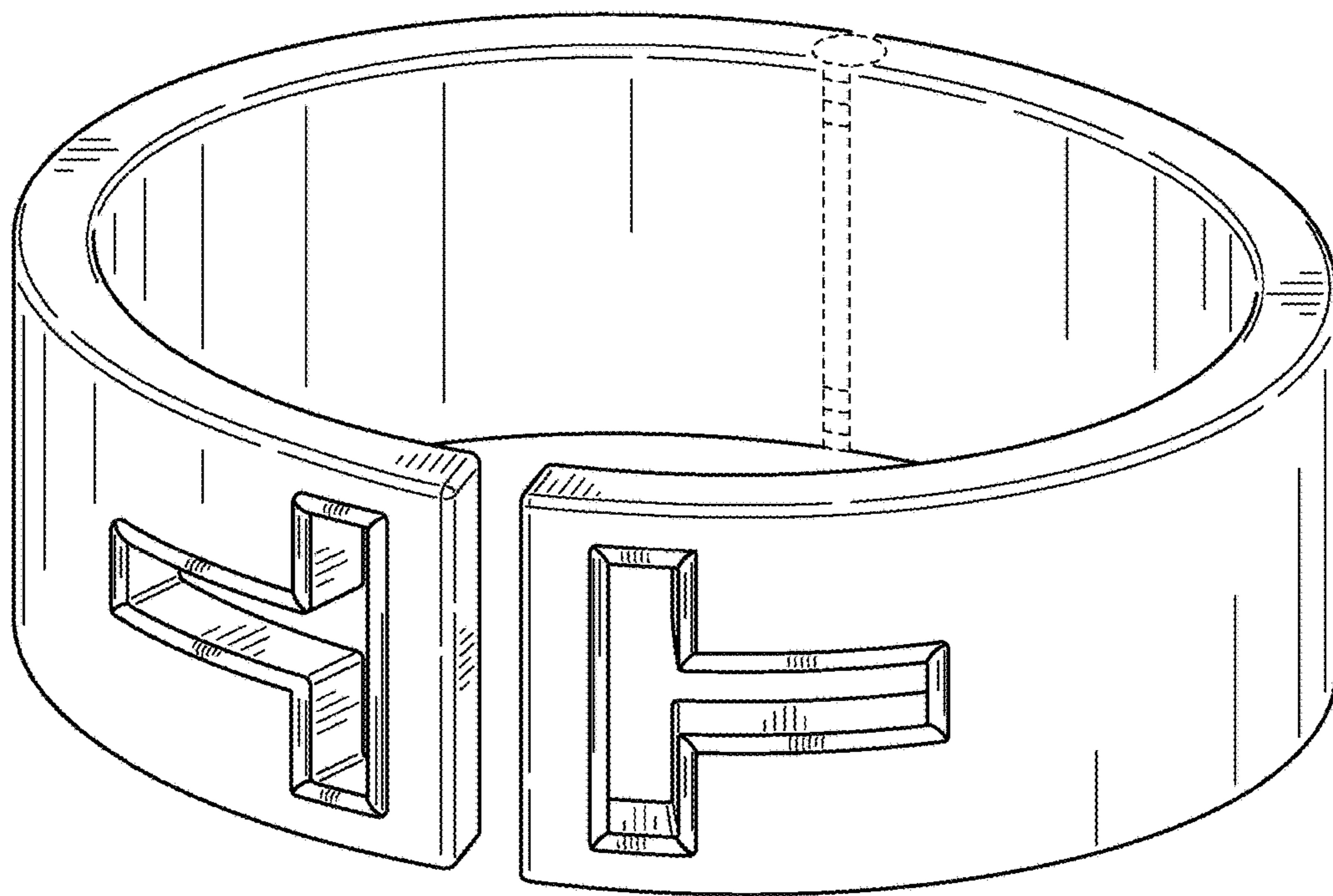


FIG. 1

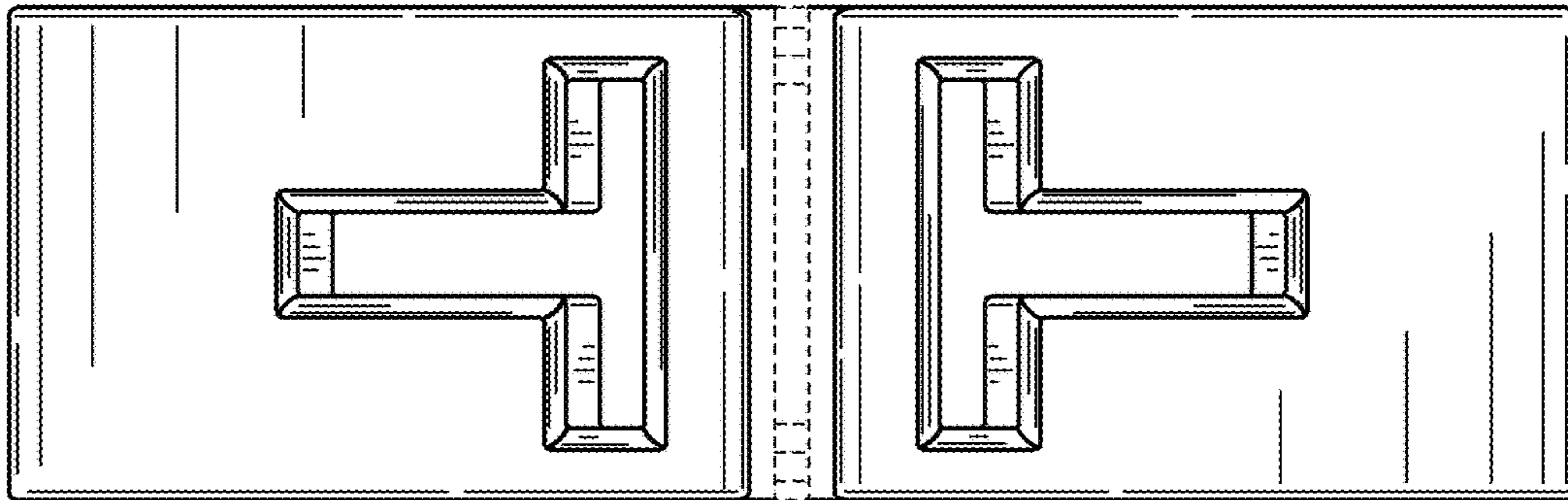


FIG. 2

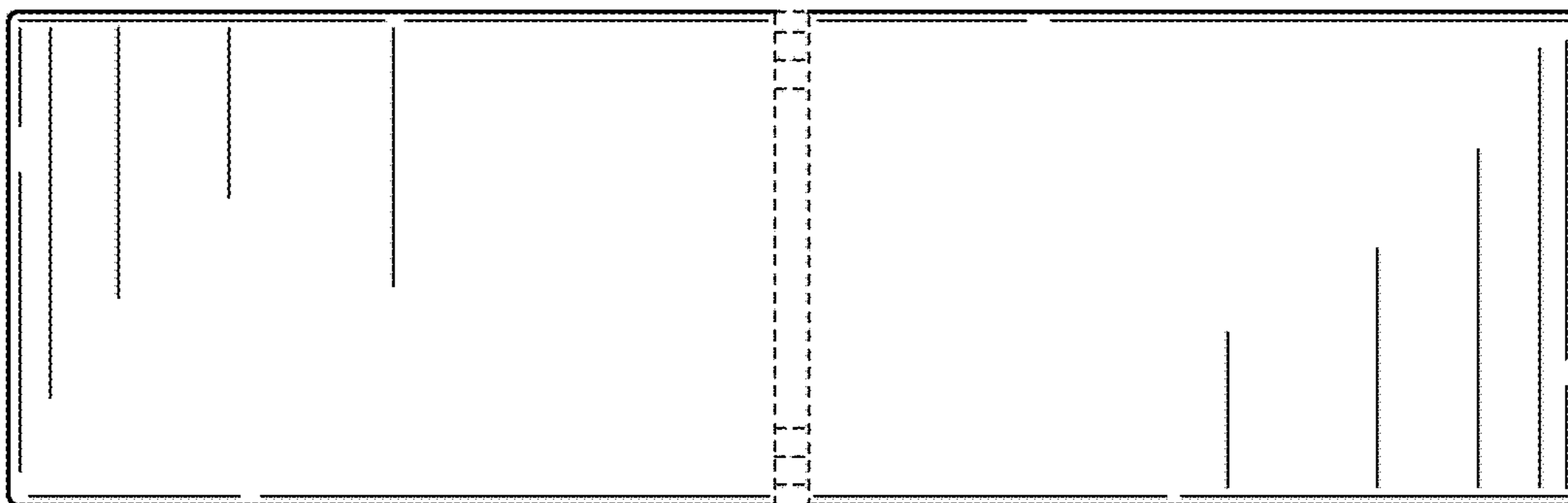


FIG. 3

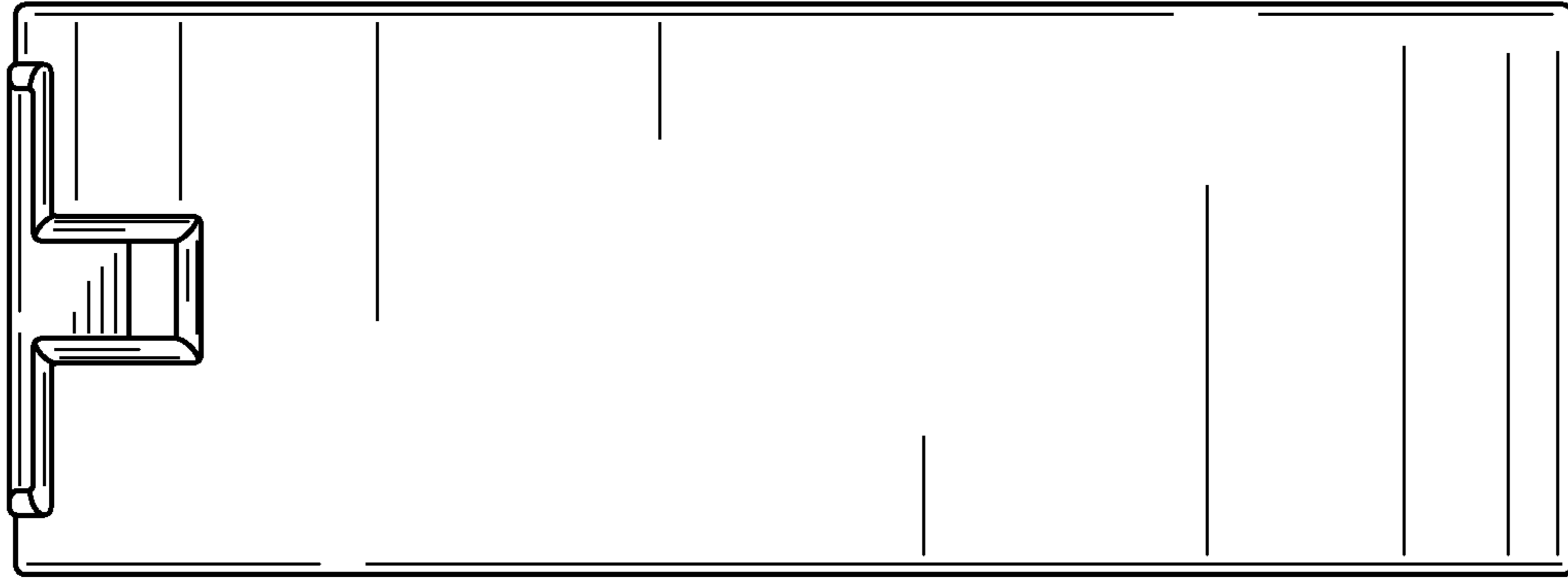


FIG. 4

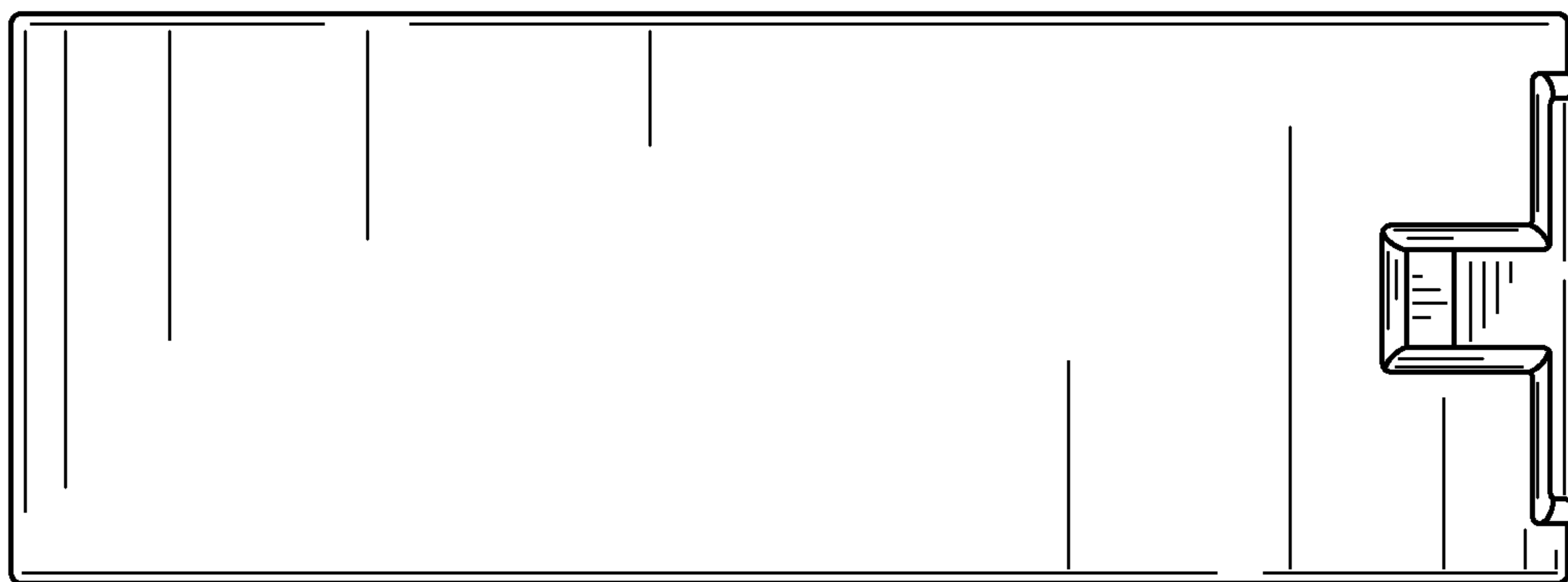


FIG. 5

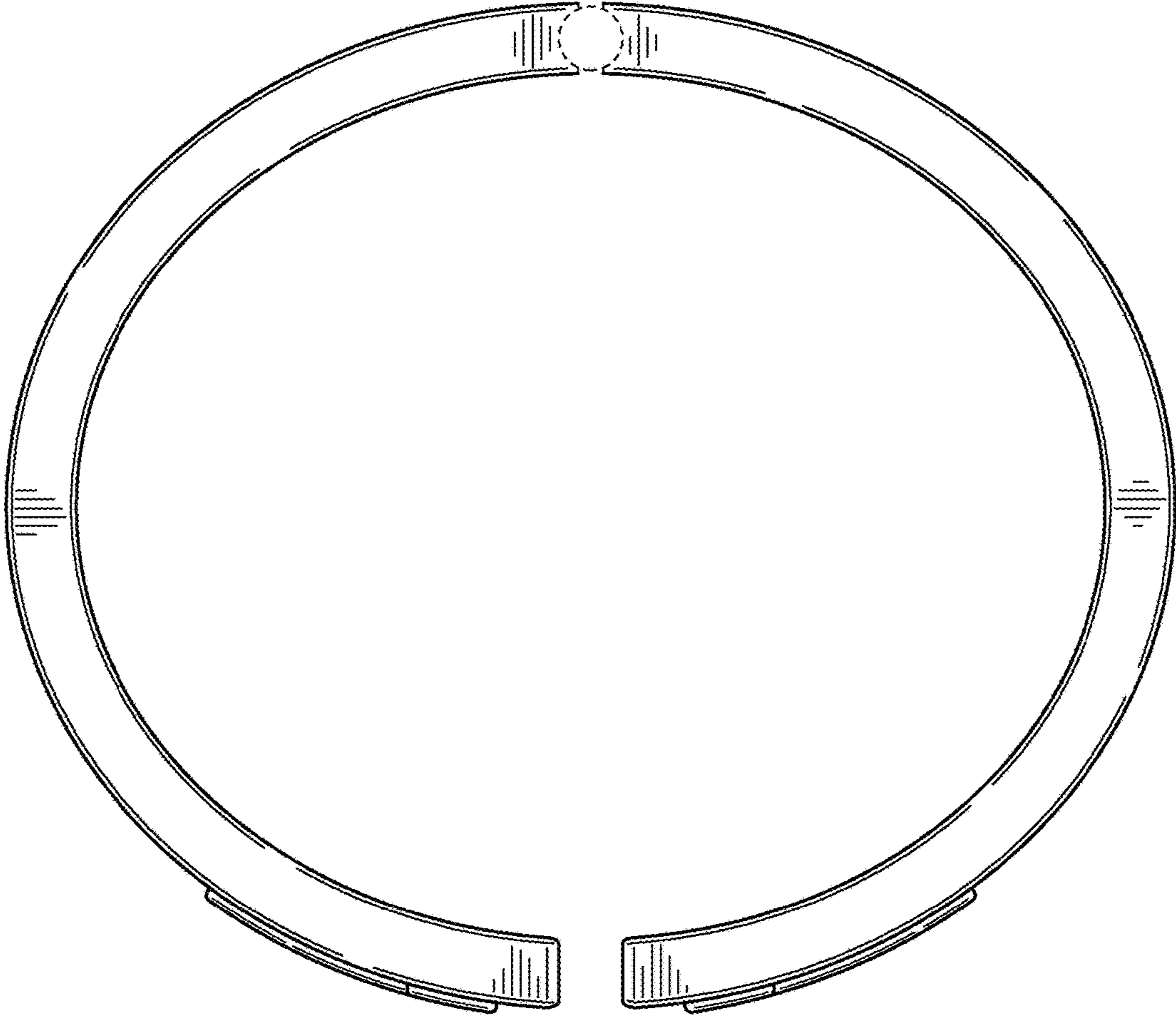


FIG. 6

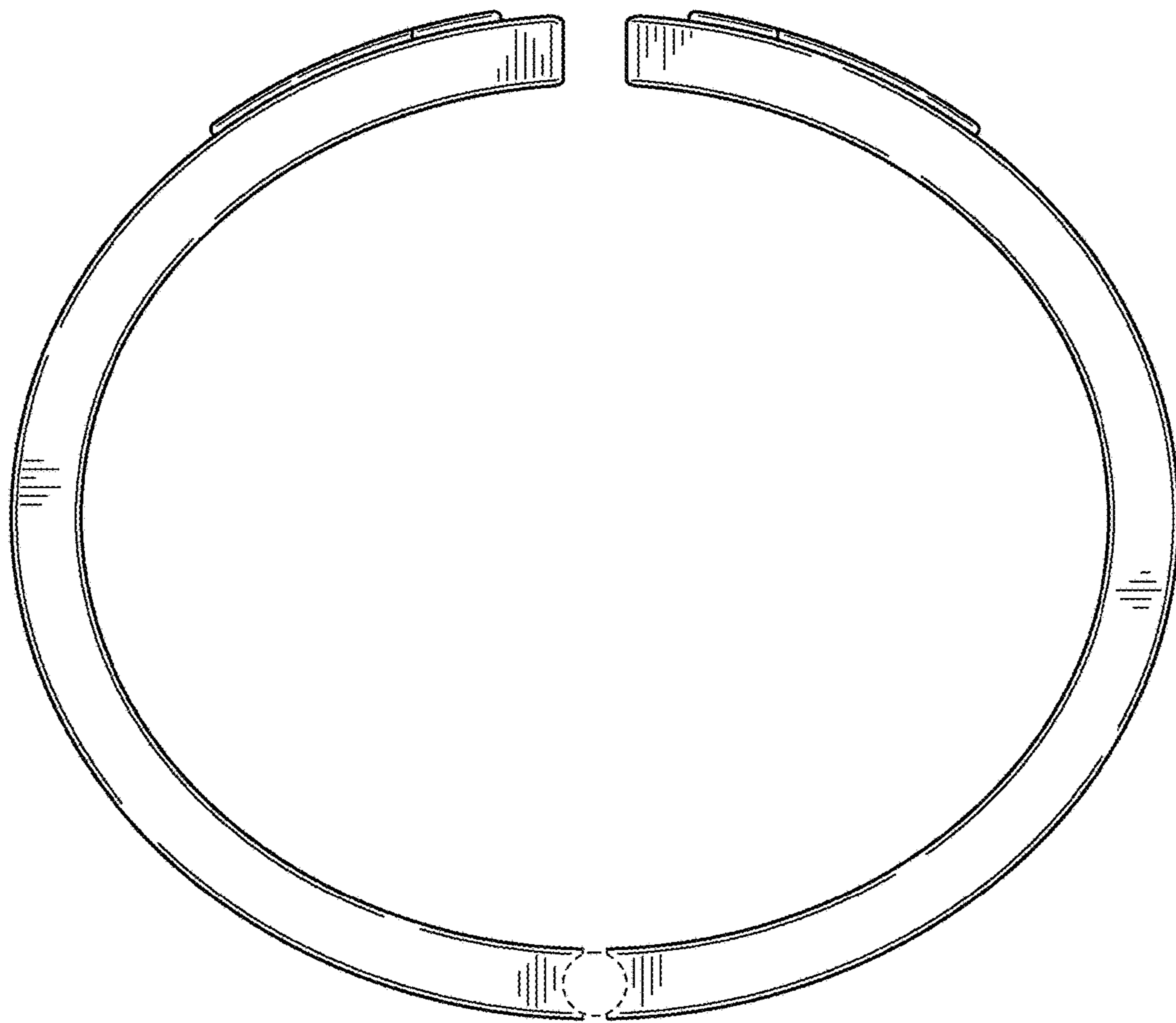


FIG. 7

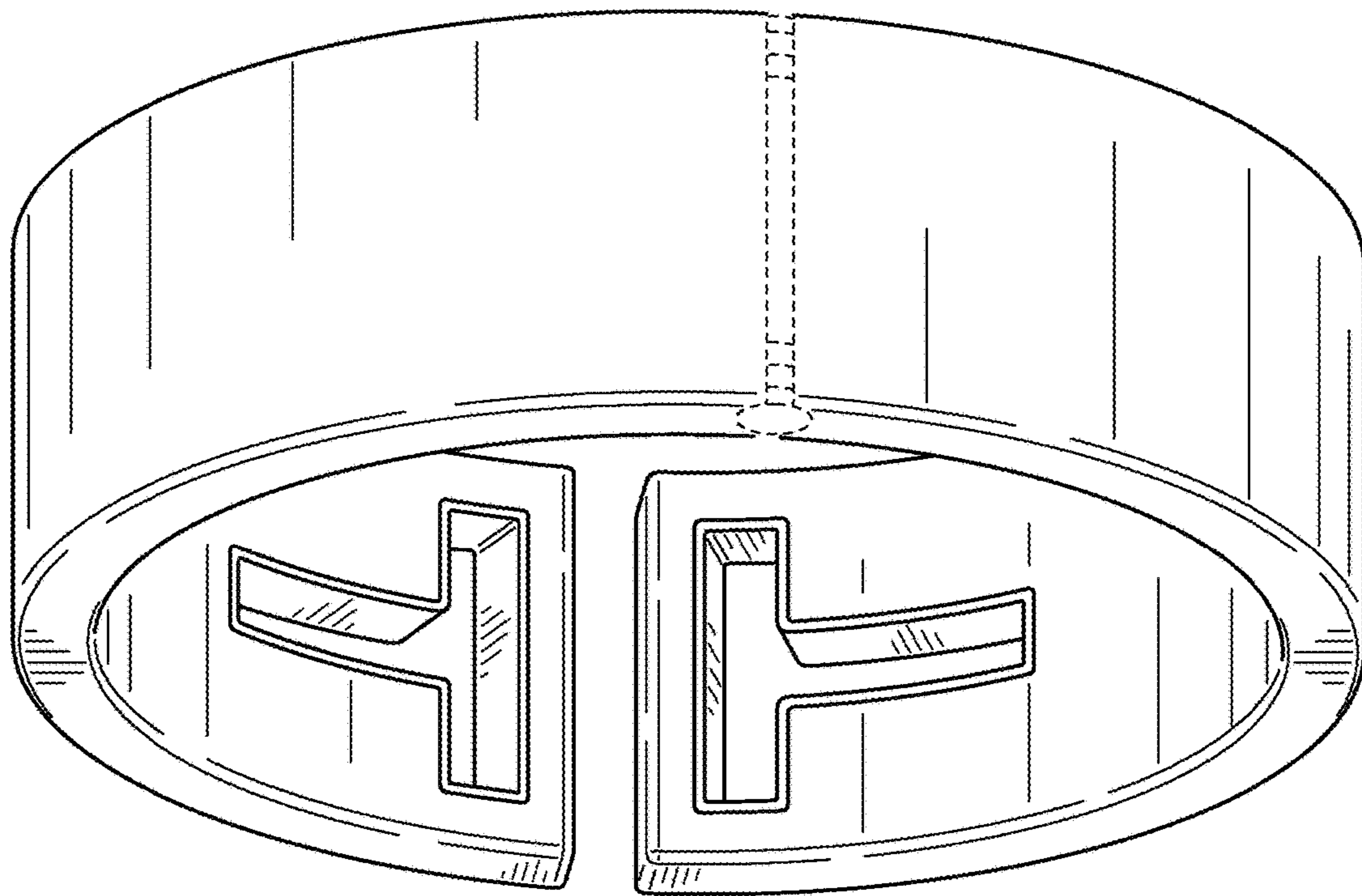


FIG. 8