



US00D800592S

(12) **United States Design Patent**
Jean et al.

(10) **Patent No.:** **US D800,592 S**
(45) **Date of Patent:** **** Oct. 24, 2017**

- (54) **SMART DOORBELL**
- (71) Applicant: **VIA TECHNOLOGIES, INC.**, New Taipei (TW)
- (72) Inventors: **Jui-Cheng Jean**, New Taipei (TW);
Ya-Ling Chen, New Taipei (TW)
- (73) Assignee: **VIA TECHNOLOGIES, INC.**, New Taipei (TW)
- (**) Term: **15 Years**
- (21) Appl. No.: **29/587,916**
- (22) Filed: **Dec. 16, 2016**
- (51) **LOC (10) Cl.** **10-05**
- (52) **U.S. Cl.**
USPC **D10/118.2**
- (58) **Field of Classification Search**
USPC ... D10/104.1, 108, 116.1, 118, 118.1, 118.2,
D10/121-126; D16/202, 203, 208, 209,
D16/215; D13/171
CPC ... G08B 3/00; G08B 3/10; G08B 7/00; G08B
7/06
See application file for complete search history.

- D741,930 S * 10/2015 Kwon D16/202
- D780,611 S * 3/2017 Studer D10/104.1
- D788,834 S * 6/2017 Bhattacharya D16/203
- D792,192 S * 7/2017 Huang D8/331
- D793,268 S * 8/2017 Ye D10/118.2

* cited by examiner

Primary Examiner — George D. Kirschbaum
Assistant Examiner — Joseph J Kukella
(74) *Attorney, Agent, or Firm* — McClure, Qualey & Rodack, LLP

(57) **CLAIM**

The design for smart doorbell, is as shown and described.

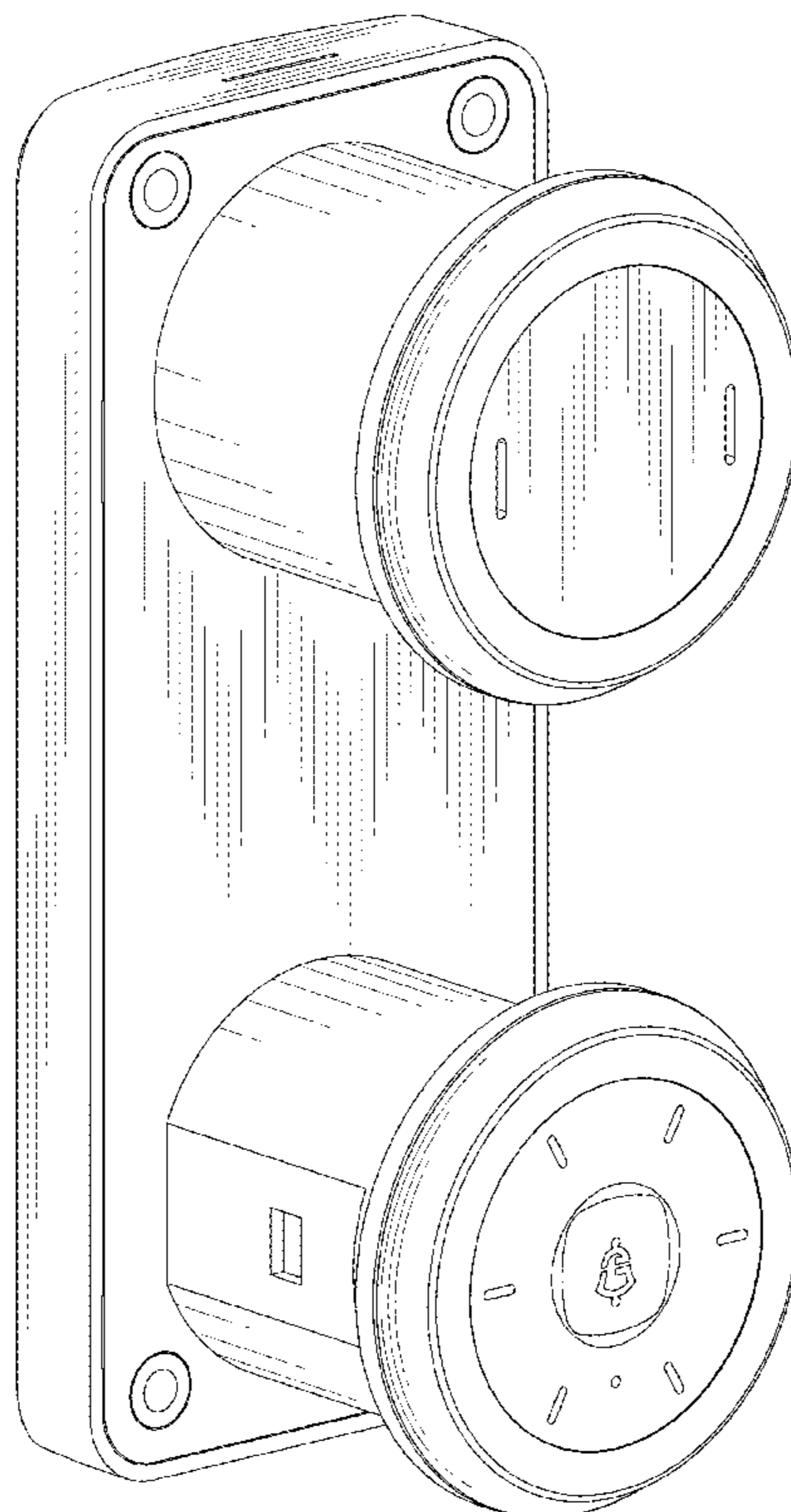
DESCRIPTION

FIG. 1 is a front perspective view thereof;
FIG. 2 is a front view thereof;
FIG. 3 is a rear view thereof;
FIG. 4 is a left side view thereof;
FIG. 5 is a right side view thereof;
FIG. 6 is a top view thereof;
FIG. 7 is a bottom view thereof;
FIG. 8 is rear perspective view thereof;
FIG. 9 is another front perspective view thereof;
FIG. 10 is a reference front perspective view showing the smart doorbell mounted on a door; and,
FIG. 11 is a reference rear perspective view showing the smart doorbell mounted on a door.
The broken lines represent the environmental structure that forms no part of the claimed design.

(56) **References Cited**
U.S. PATENT DOCUMENTS

- D527,667 S * 9/2006 Kim D10/116.1
- D547,223 S * 7/2007 Tal D10/106.1

1 Claim, 11 Drawing Sheets



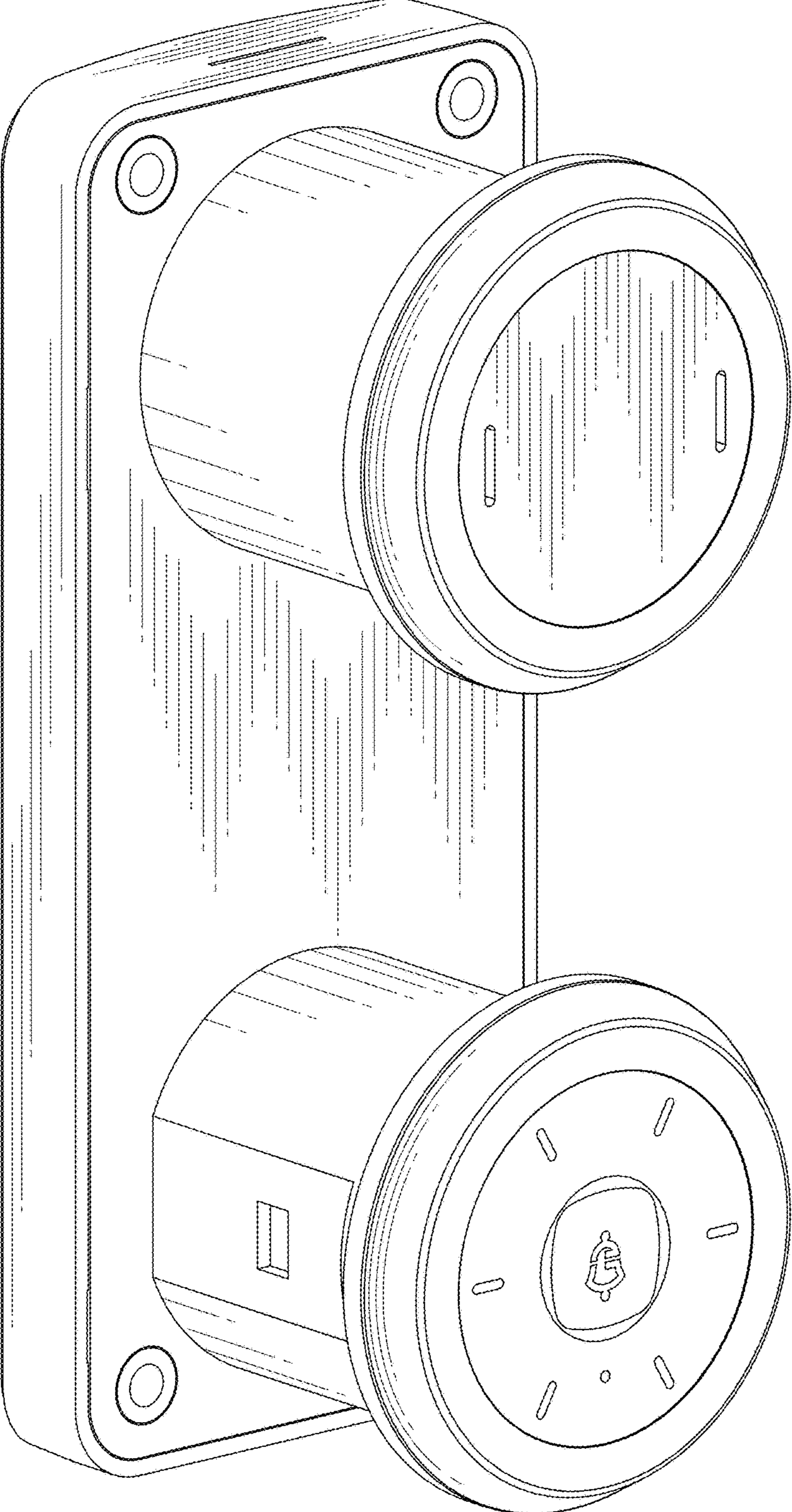


FIG. 1

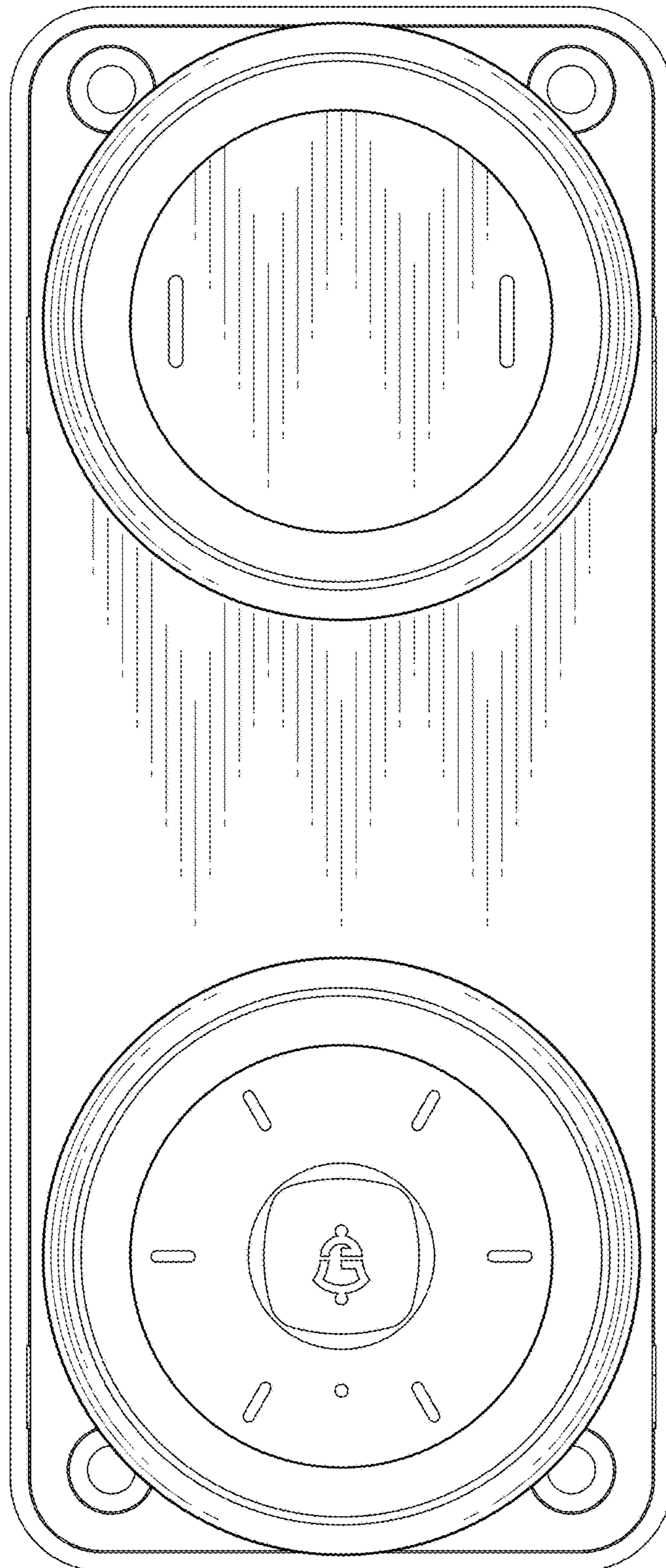


FIG. 2

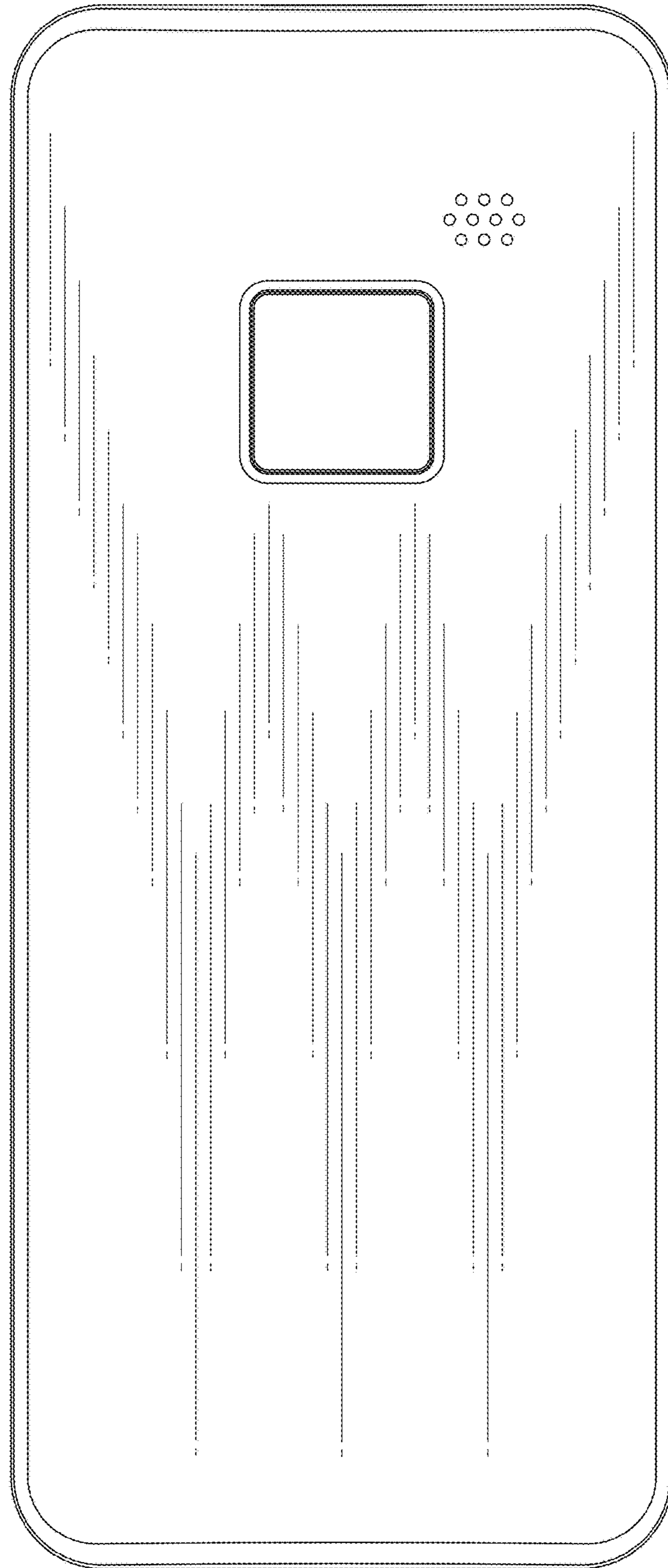


FIG. 3

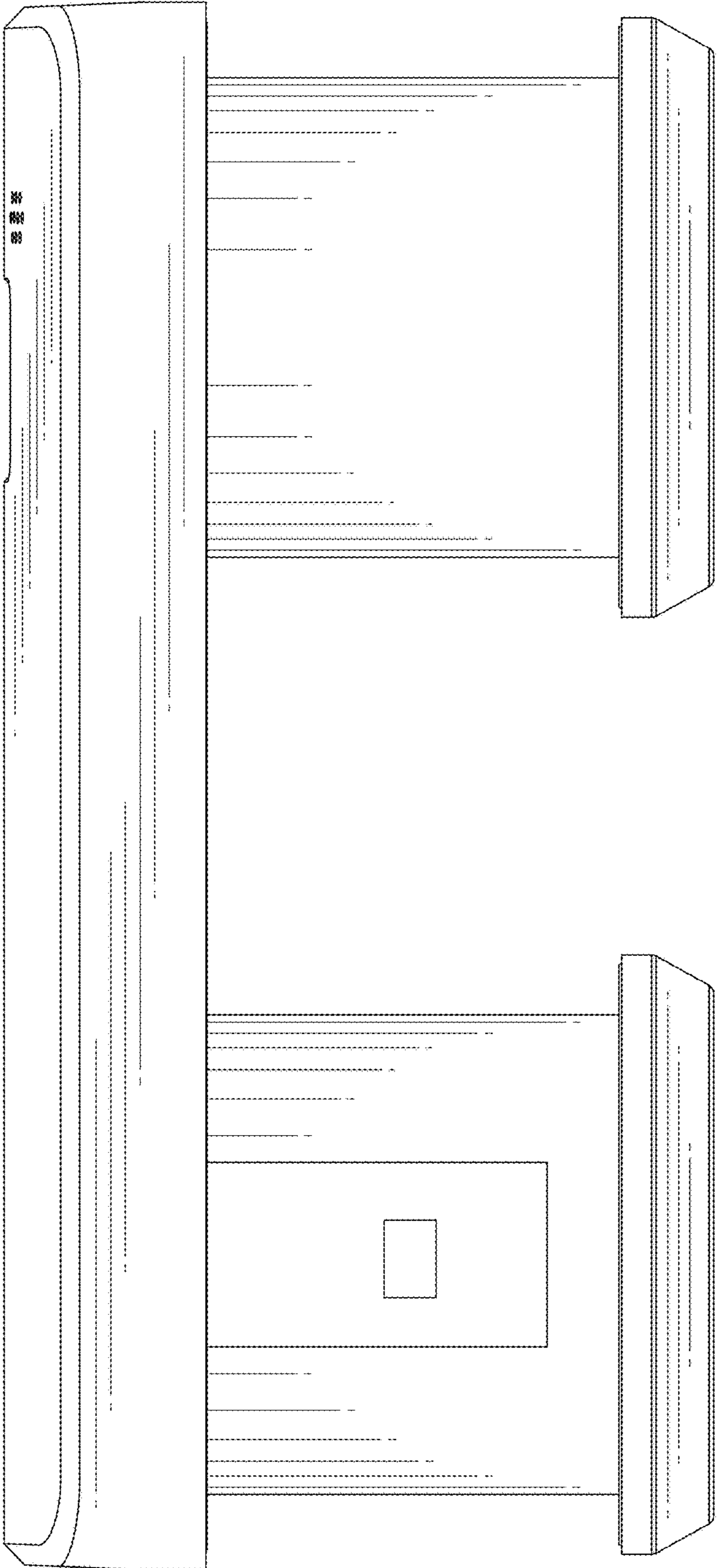


FIG. 4

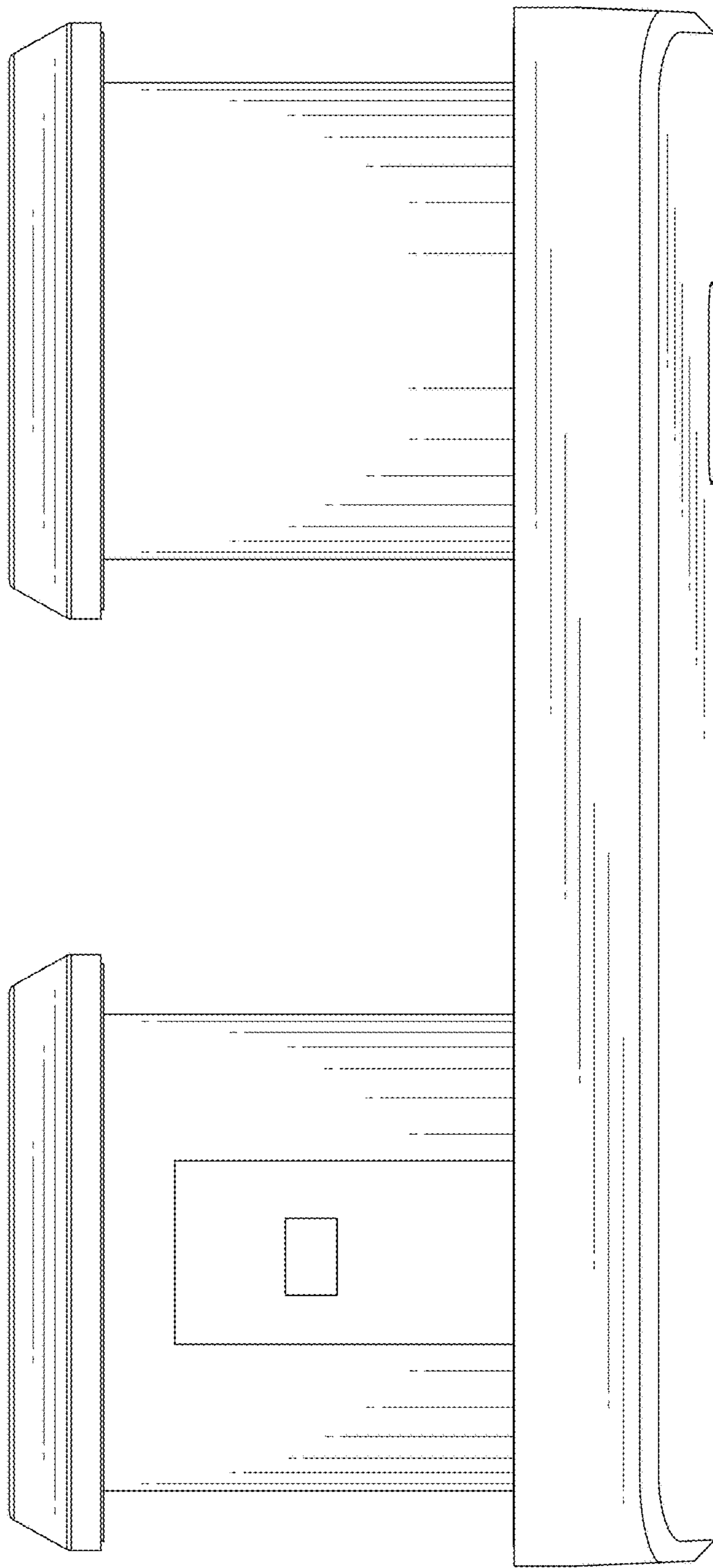


FIG. 5

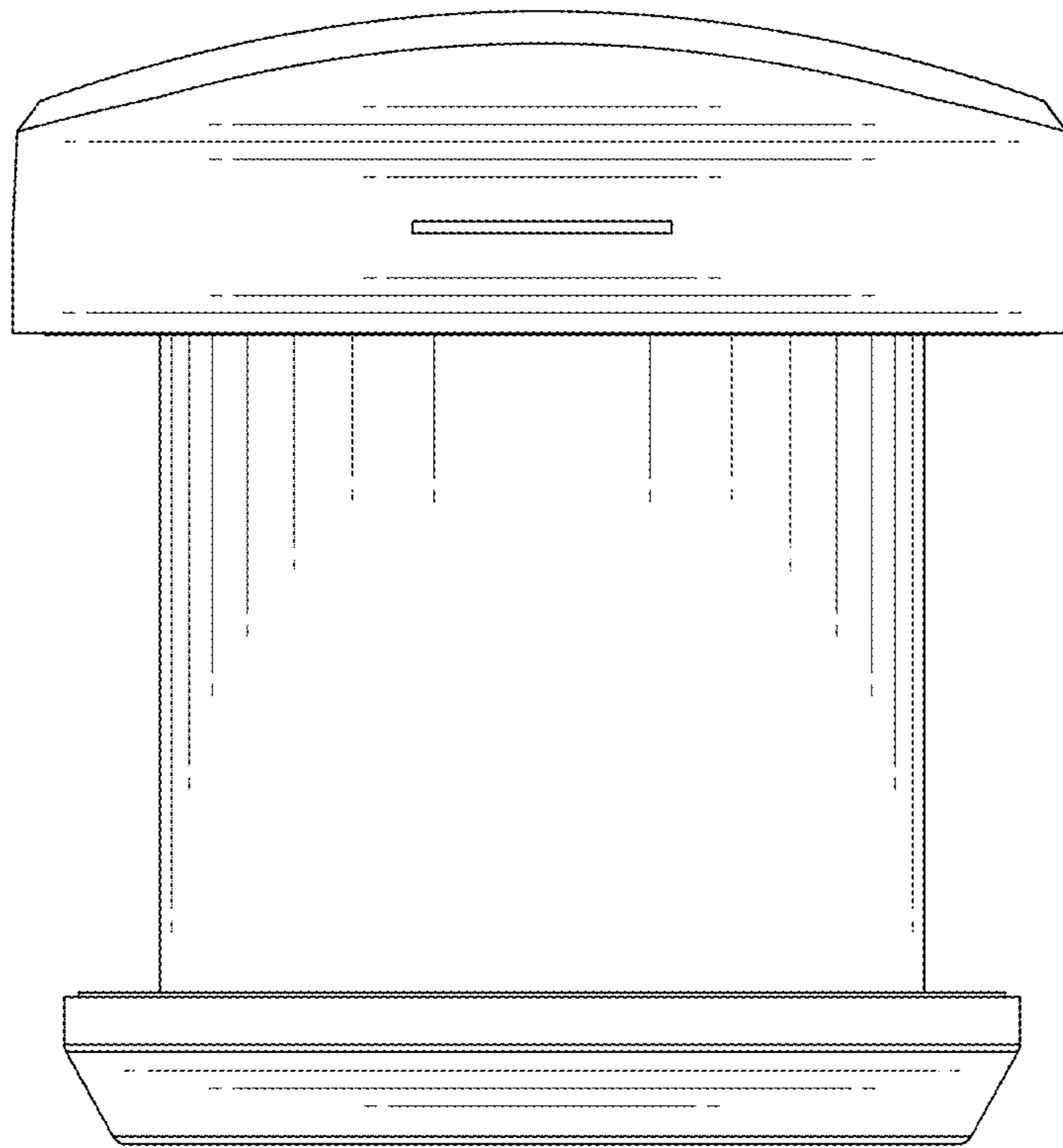


FIG. 6

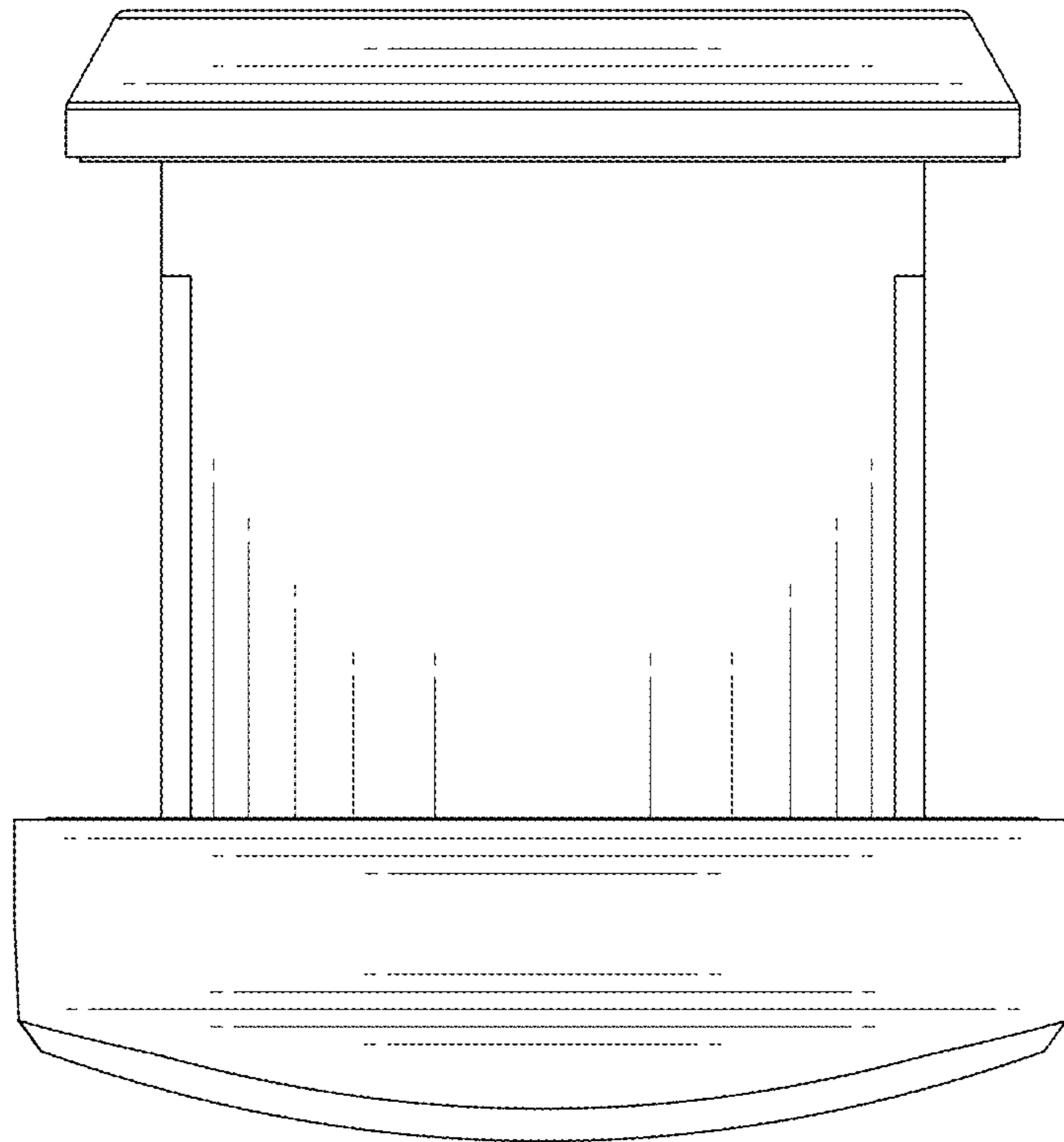


FIG. 7

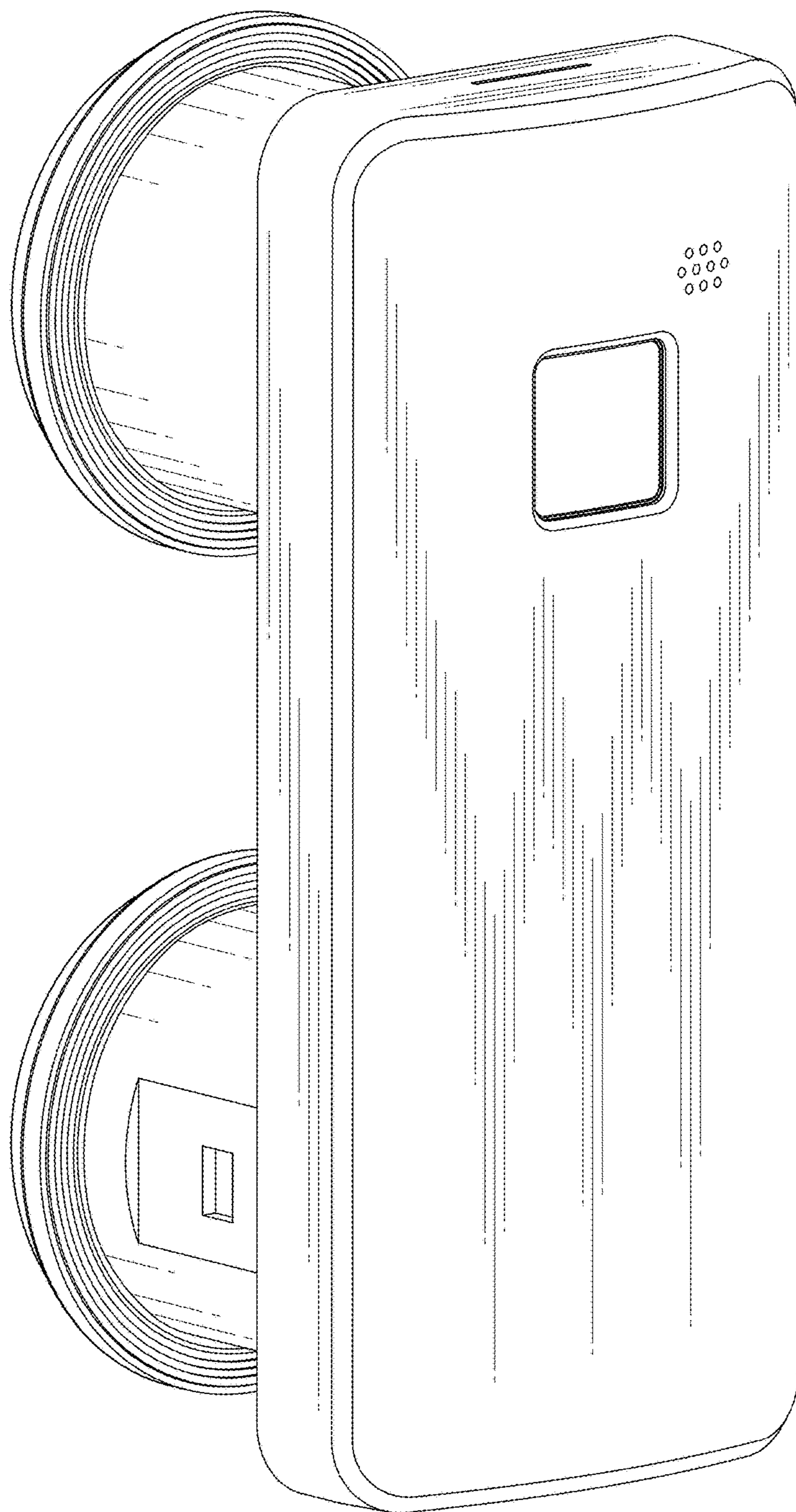


FIG. 8

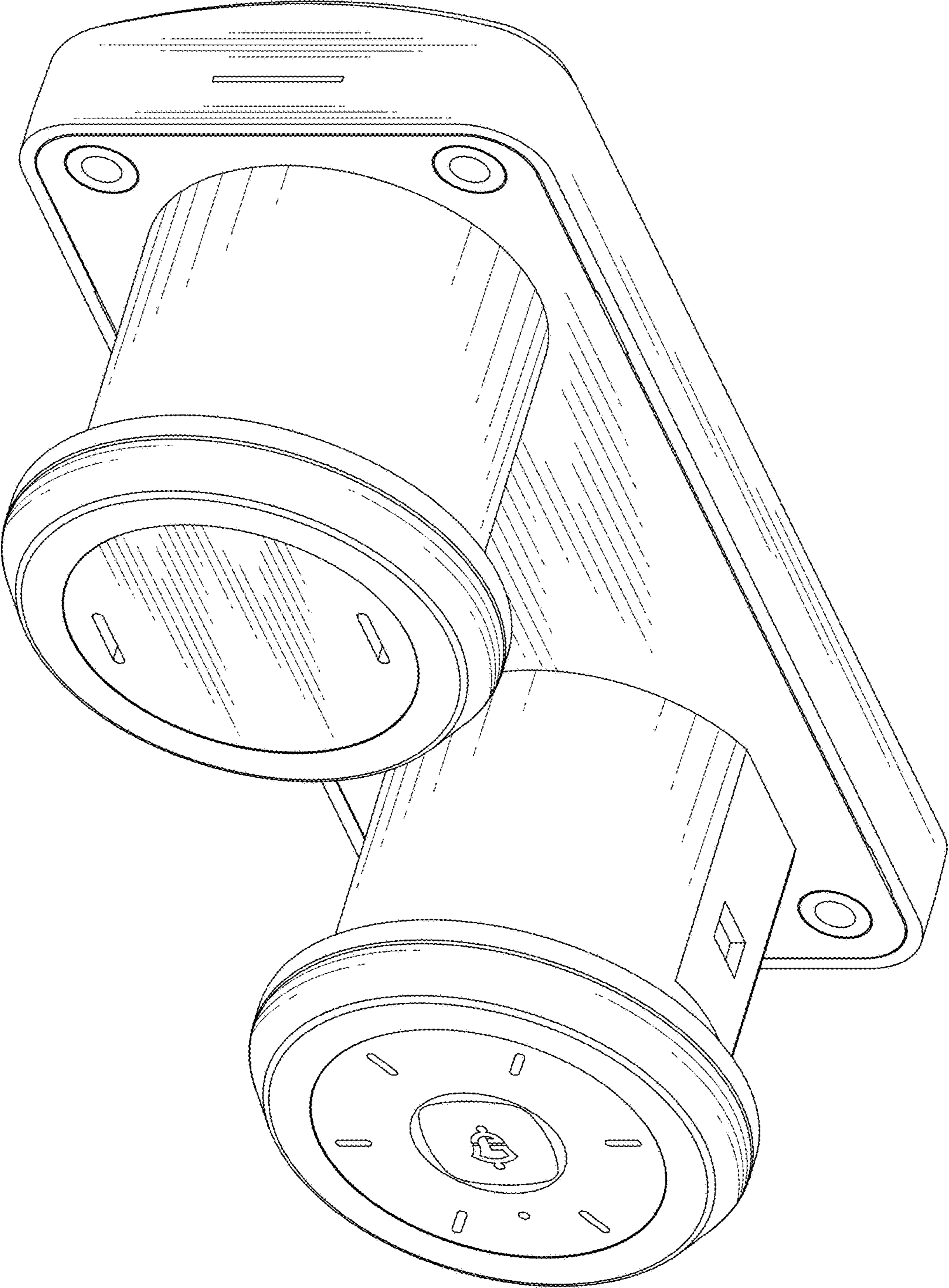


FIG. 9

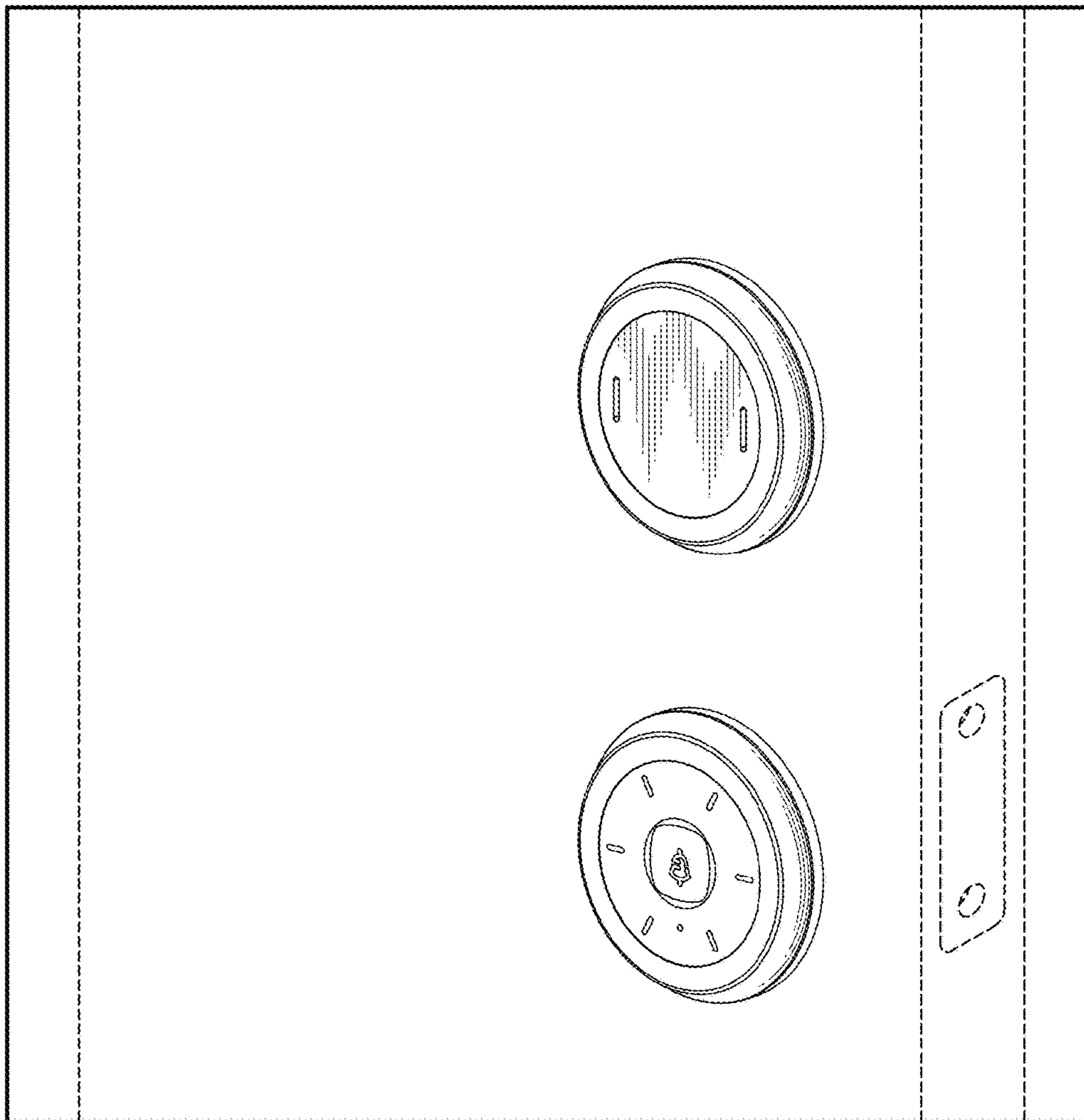


FIG. 10

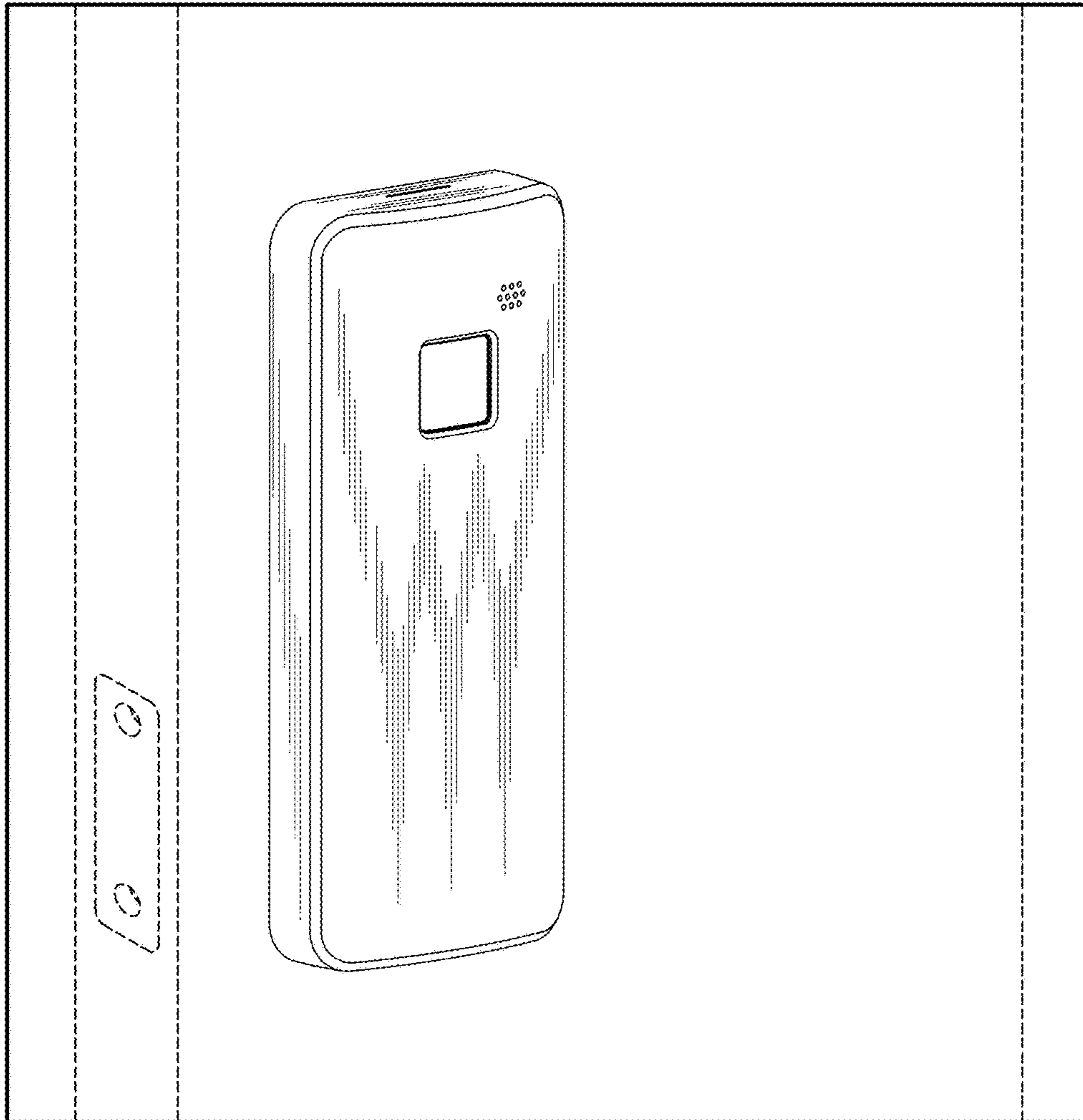


FIG. 11