

US00D800586S

(12) **United States Design Patent** (10) **Patent No.:** **US D800,586 S**
Parham et al. (45) **Date of Patent:** **** Oct. 24, 2017**

(54) **WEARABLE SENSING DEVICE**

(71) Applicant: **MUV INTERACTIVE LTD.**, Herzliya Pituach (IL)

(72) Inventors: **Rami Parham**, Beer Yaakov (IL); **Omri Barzeev**, Tel Aviv (IL); **Etay Amir**, Tel Aviv (IL)

(73) Assignee: **MUV INTERACTIVE LTD.**, Herzliya Pituach (IL)

(**) Term: **14 Years**

(21) Appl. No.: **29/521,579**

(22) Filed: **Mar. 25, 2015**

(51) **LOC (10) Cl.** **10-04**

(52) **U.S. Cl.**
 USPC **D10/70; D10/78; D14/218; D14/344**

(58) **Field of Classification Search**
 USPC D10/30, 31, 38, 52, 53, 54, 55, 56, 65, D10/70, 78, 98, 97, 123, 125, 126, 128; D14/218, 344, 138 R, 203.3, 203.4, 203.5, D14/203.6, 203.7, 226, 480.3; D11/2, 3, D11/4, 5, 22; D16/200; D18/2, 4.4; D24/167, 168
 CPC G06F 3/014; G06F 3/0304; G06F 3/03542; G06F 3/03547; G06F 3/0383; G06F 3/0386; G06F 220/0331; G06F 1/1684; G06F 1/169; G06F 1/1694; G06F 1/1696; G06F 1/1698; G06F 2200/1636; G06F 2203/0382; G06F 2203/0383

See application file for complete search history.

(56) **References Cited**

U.S. PATENT DOCUMENTS

9,110,505 B2 * 8/2015 Mastandrea, Jr. G06F 3/014
 9,218,063 B2 * 12/2015 Galor G06F 3/017

* cited by examiner

Primary Examiner — Antoine D Davis
 (74) *Attorney, Agent, or Firm* — Roach Brown McCarthy & Gruber, P.C.; Kevin D. McCarthy

(57) **CLAIM**

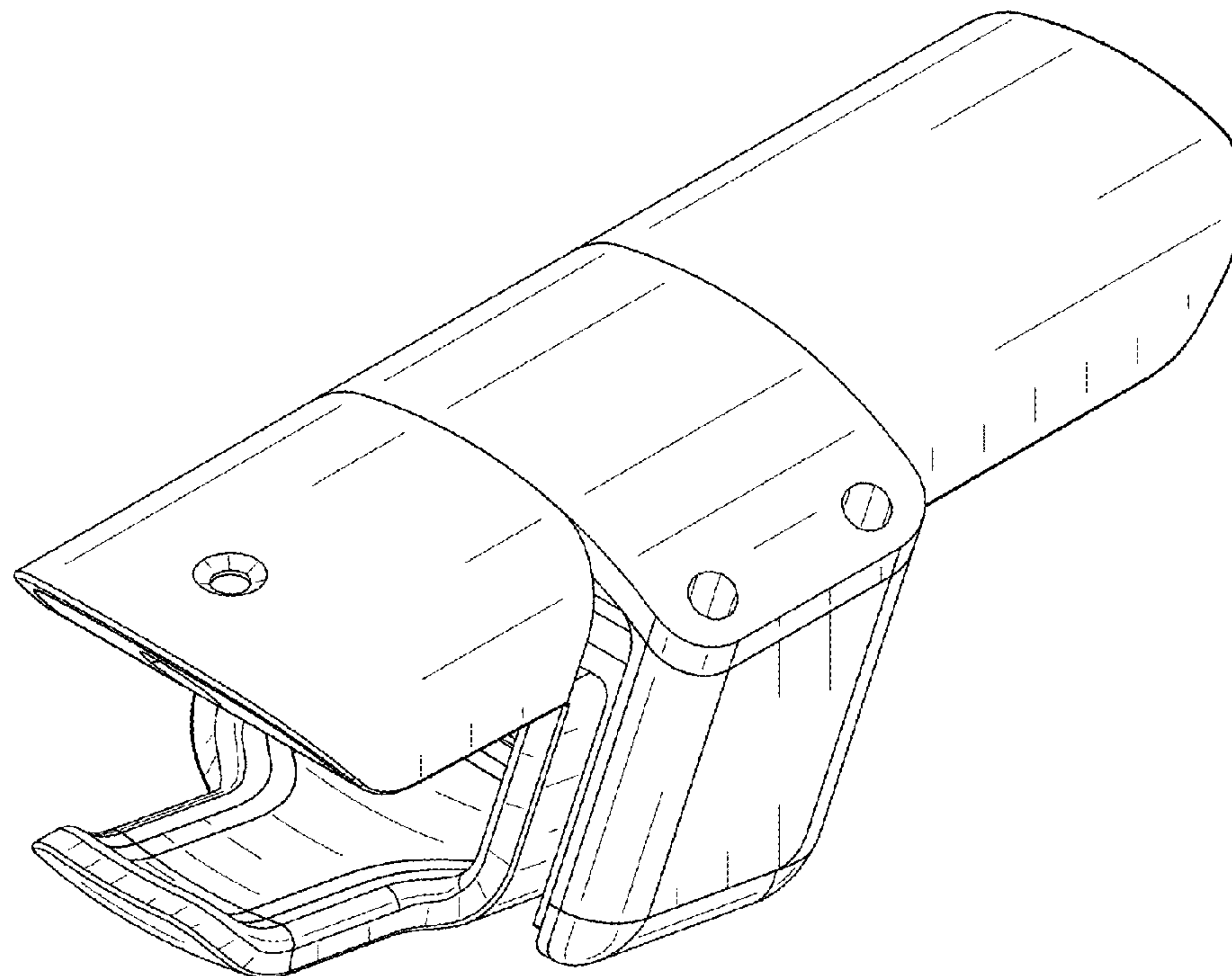
The ornamental design for a wearable sensing device, as shown and described.

DESCRIPTION

FIG. 1 is a perspective view of the front, the left side, and the top side of a wearable sensing device of the applicant's design;
 FIG. 2 is a front view thereof;
 FIG. 3 is a rear view thereof;
 FIG. 4 is a left side view thereof;
 FIG. 5 is a right side view thereof;
 FIG. 6 is a bottom side view thereof; and,
 FIG. 7 is a top side view thereof.

The broken lines are included to show a portion of the wearable sensing device that forms no part of the claimed design.

1 Claim, 4 Drawing Sheets



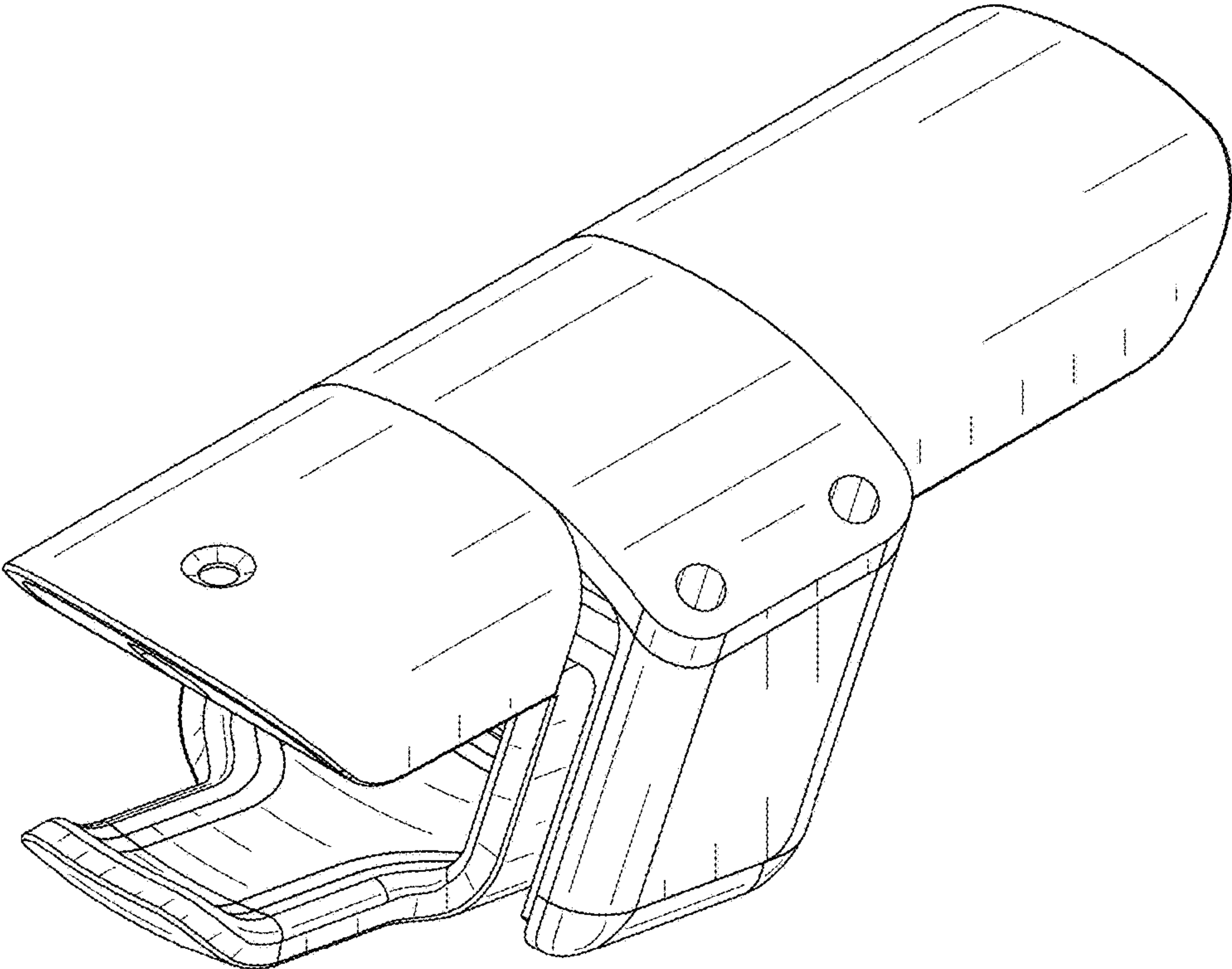


FIG.1

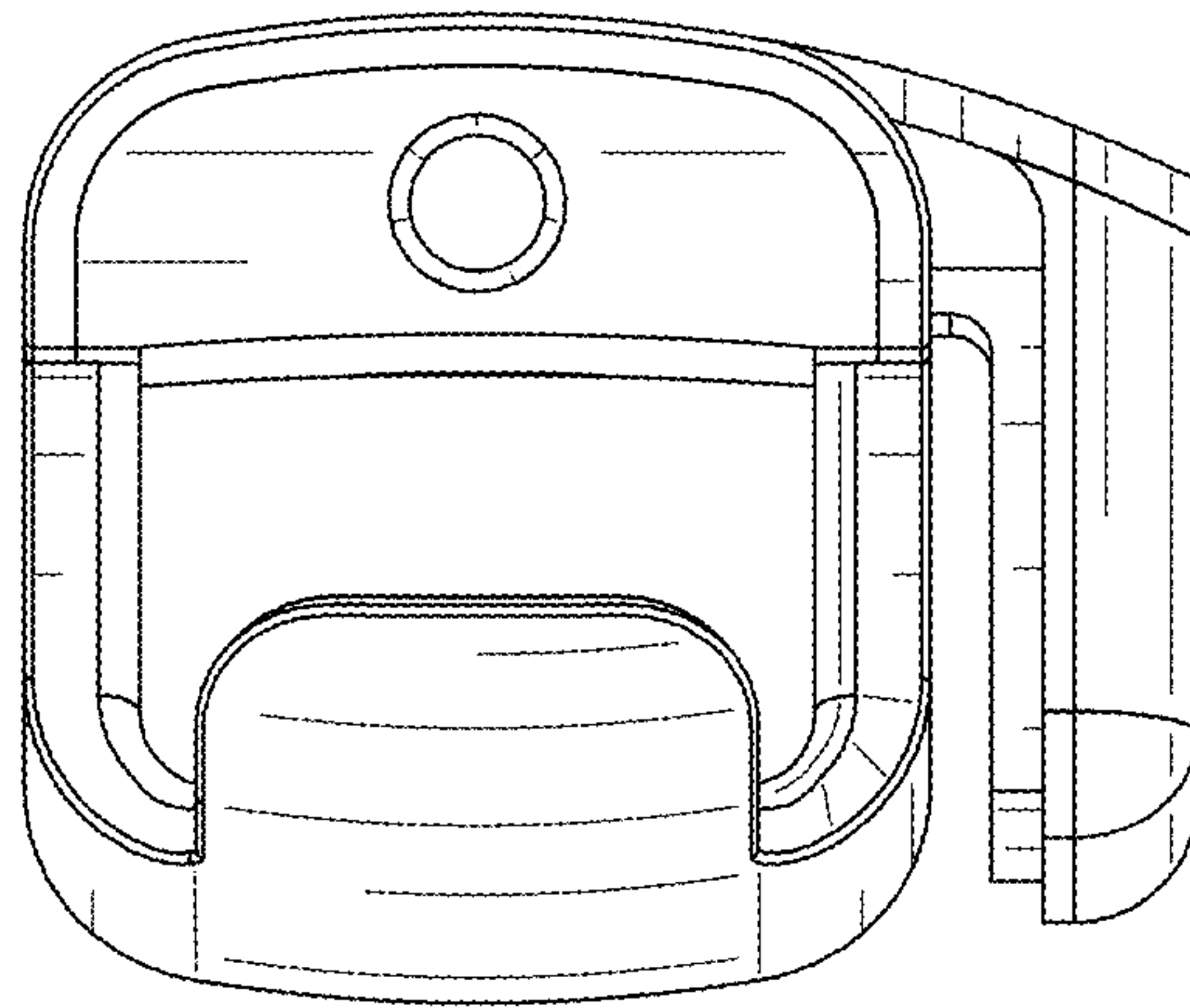


FIG. 2

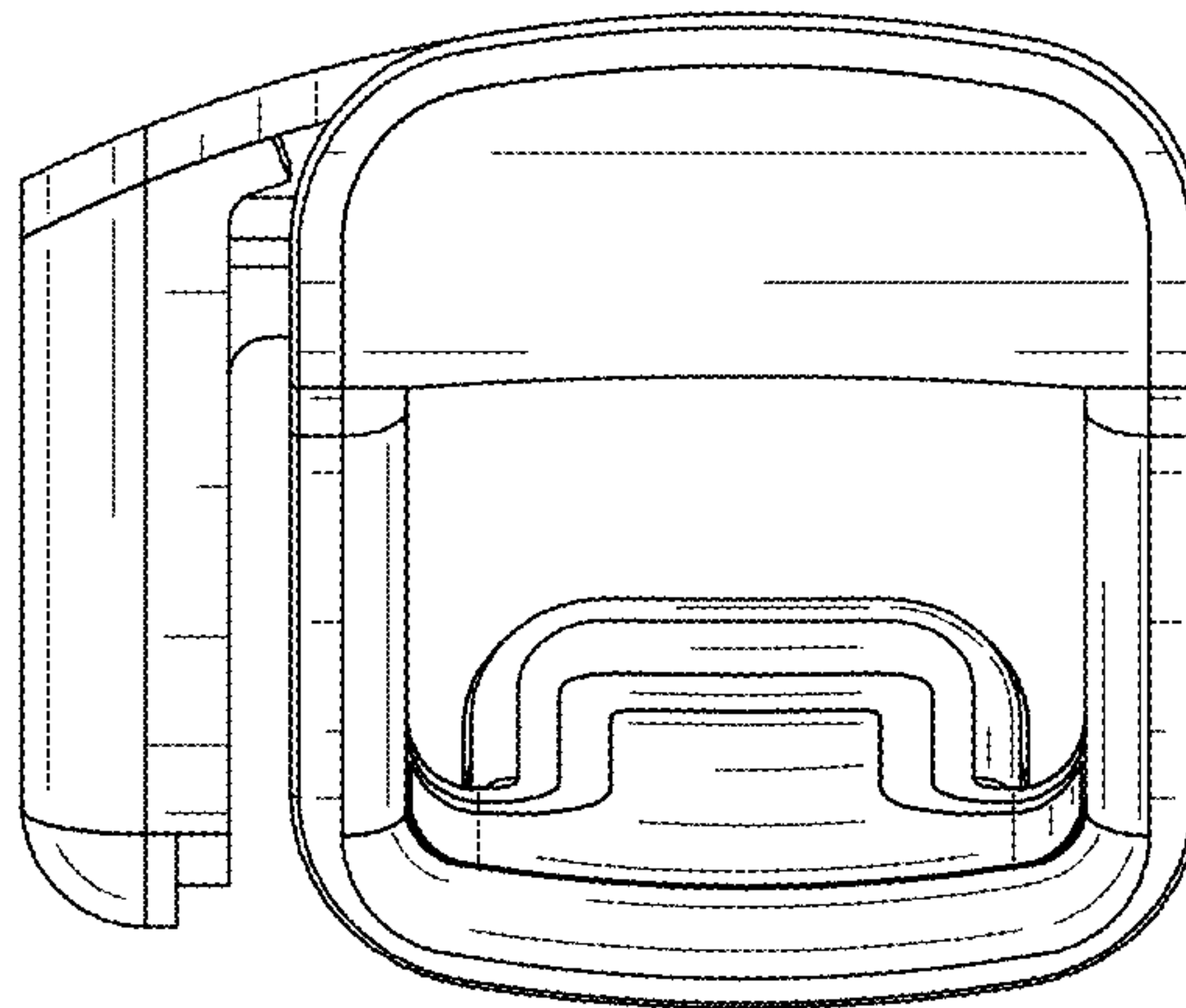


FIG. 3

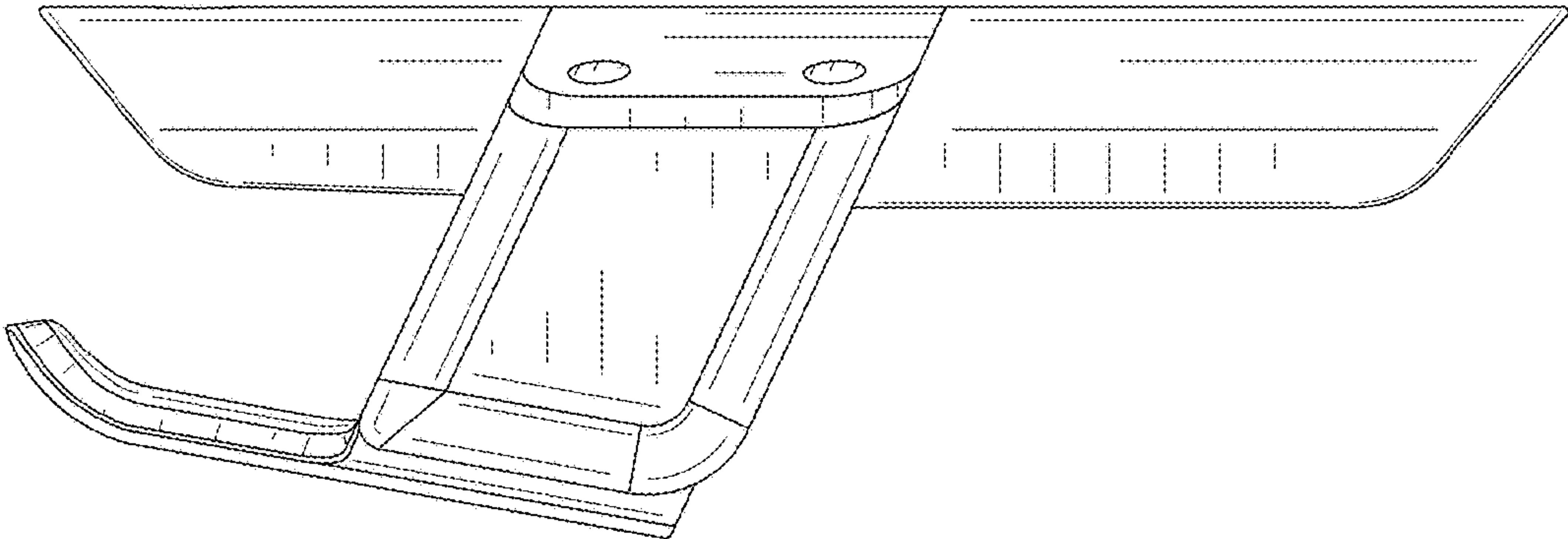


FIG. 4

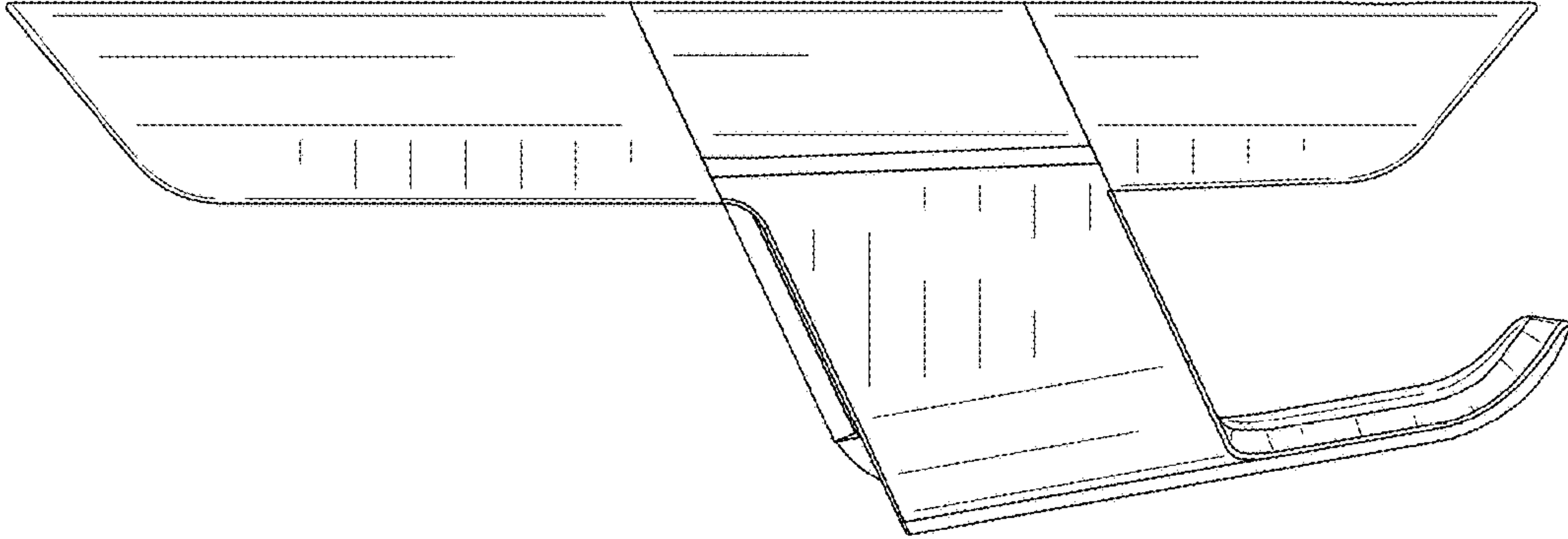


FIG. 5

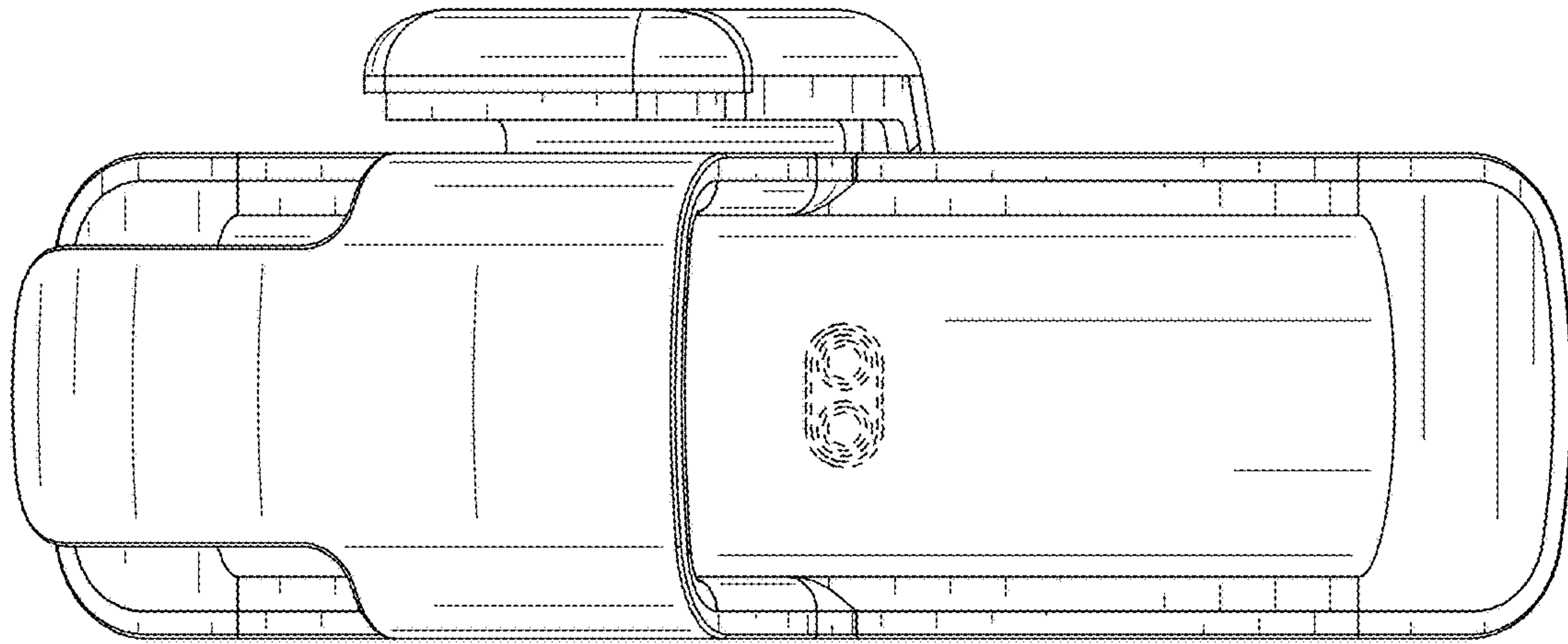


FIG. 6

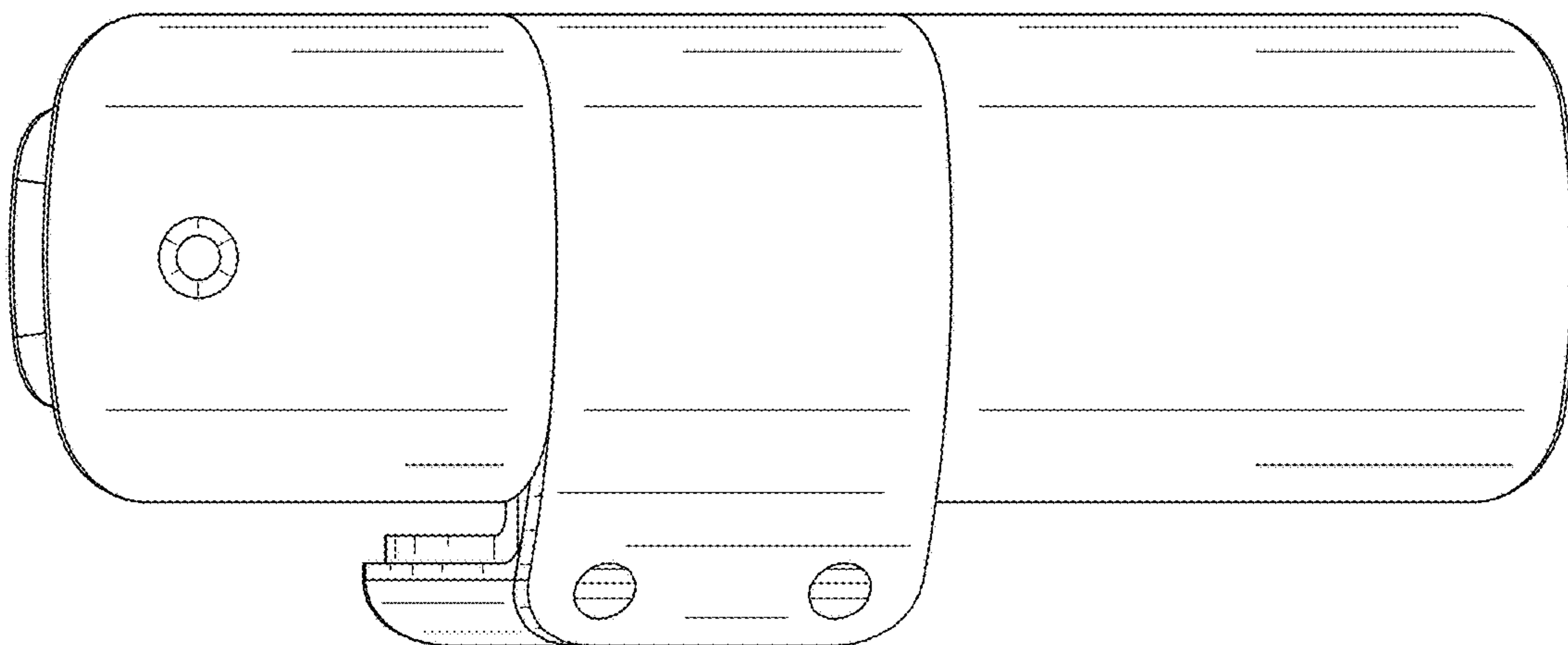


FIG. 7